



US00D918980S

(12) **United States Design Patent** (10) **Patent No.:** **US D918,980 S**  
**Zeppetzauer** (45) **Date of Patent:** **\*\* May 11, 2021**

(54) **BINOCULAR**

(71) Applicant: **Swarovski-Optik KG., Absam (AT)**

(72) Inventor: **Mario Zeppetzauer, Linz (AT)**

(73) Assignee: **Swarovski-Optik KG., Absam (AT)**

(\*\*) Term: **15 Years**

(21) Appl. No.: **35/508,747**

(22) Filed: **Feb. 11, 2020**

(80) **Hague Agreement Data**

Int. Filing Date: **Feb. 11, 2020**

Int. Reg. No.: **DM/206129**

Int. Reg. Date: **Feb. 11, 2020**

Int. Reg. Pub. Date: **Mar. 6, 2020**

(30) **Foreign Application Priority Data**

Aug. 14, 2019 (EM) ..... 006722617

(51) **LOC (13) Cl.** ..... **16-06**

(52) **U.S. Cl.**  
USPC ..... **D16/133**

(58) **Field of Classification Search**

USPC ..... D16/130, 133, 136, 237

CPC ..... G02B 23/00; G02B 23/18

See application file for complete search history.

(56) **References Cited**

**U.S. PATENT DOCUMENTS**

D307,153 S \* 4/1990 Martin ..... D16/130

D376,377 S \* 12/1996 Palmer ..... D16/130

D473,247 S *	4/2003	Koinuma	.....	D16/133
D508,703 S *	8/2005	Hayashi	.....	D16/133
D508,704 S *	8/2005	Hayashi	.....	D16/133
D508,707 S *	8/2005	Hayashi	.....	D16/133
D522,551 S *	6/2006	Hayashi	.....	D16/133
D539,317 S *	3/2007	Tonhofer	.....	D16/132
D788,205 S *	5/2017	Jankura	.....	D16/237
D798,938 S *	10/2017	Zheng	.....	D16/237
D833,500 S *	11/2018	Su	.....	D16/130
D850,947 S *	6/2019	Vermillion	.....	D10/70
2021/0021755 A1 *	1/2021	Salzburger	.....	H04N 5/23293

\* cited by examiner

*Primary Examiner* — Holly E Thurman

(74) *Attorney, Agent, or Firm* — Collard & Roe, P.C.

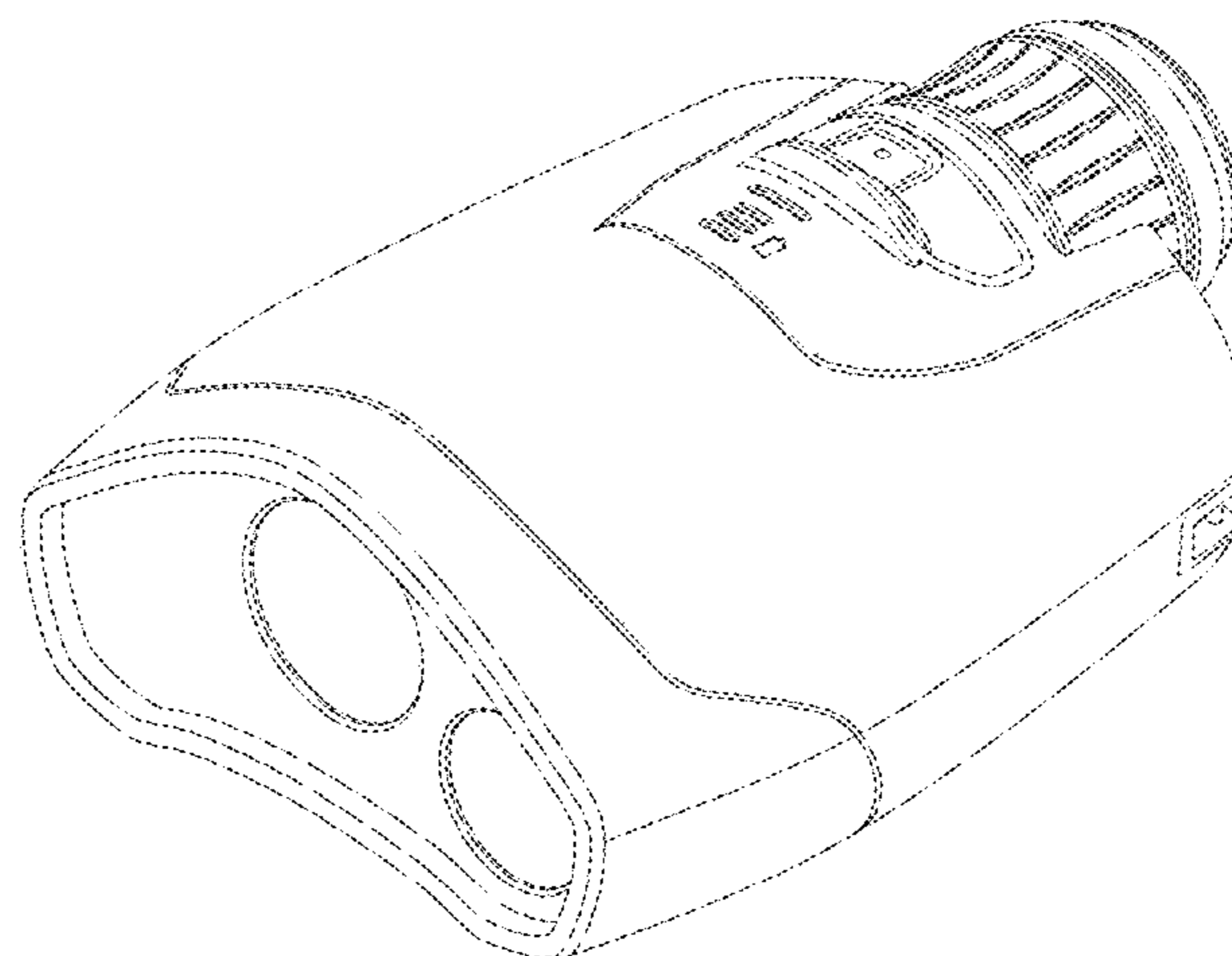
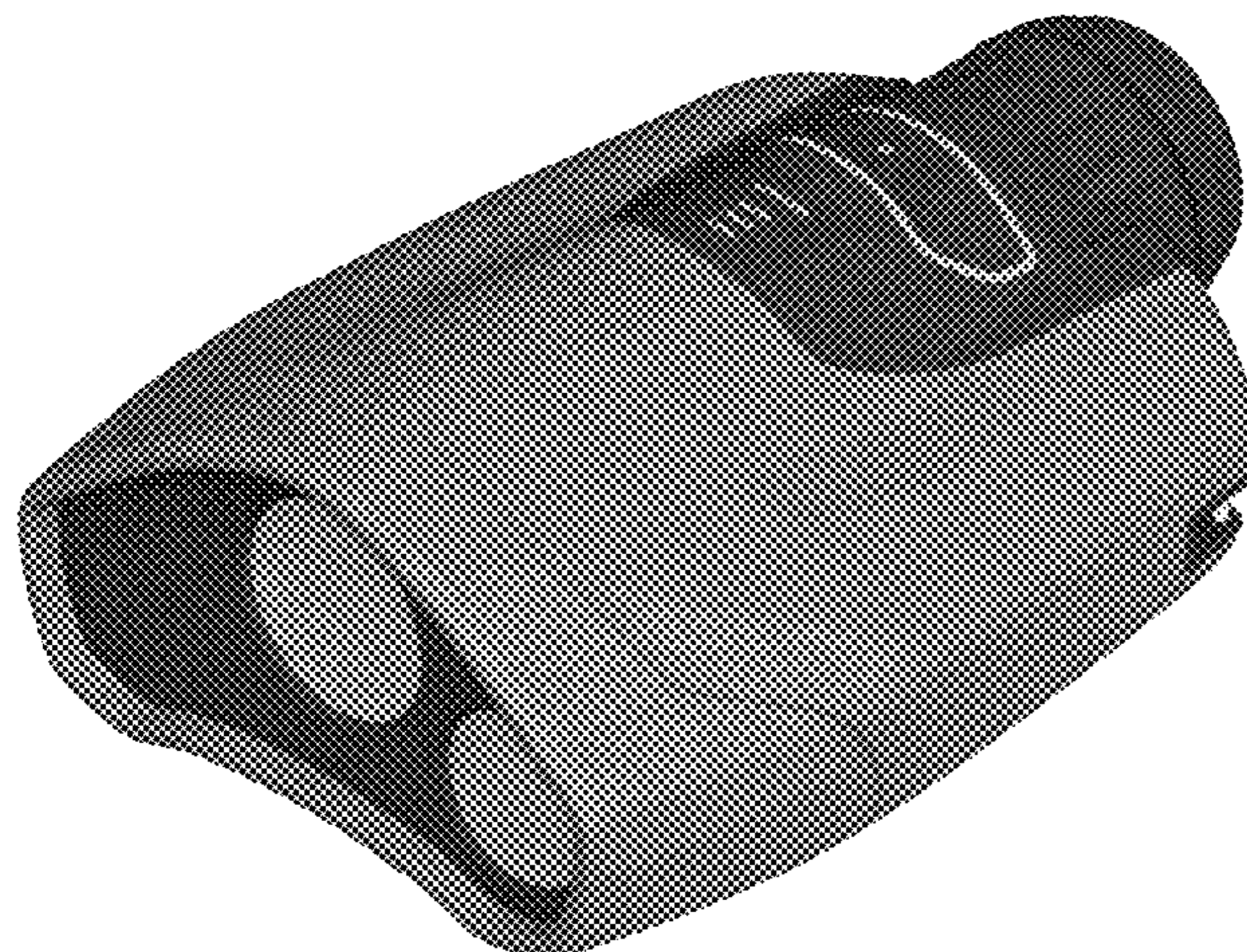
(57) **CLAIM**

The ornamental design for a binocular, as shown and described.

**DESCRIPTION**

- 1.-2. Binocular
- 1.1 : Perspective
- 1.2 : Back
- 1.3 : Left
- 1.4 : Top
- 1.5 : Right
- 1.6 : Bottom
- 1.7 : Front
- 2.1 : Perspective
- 2.2 : Back
- 2.3 : Left
- 2.4 : Top
- 2.5 : Right
- 2.6 : Bottom
- 2.7 : Front

**1 Claim, 14 Drawing Sheets**



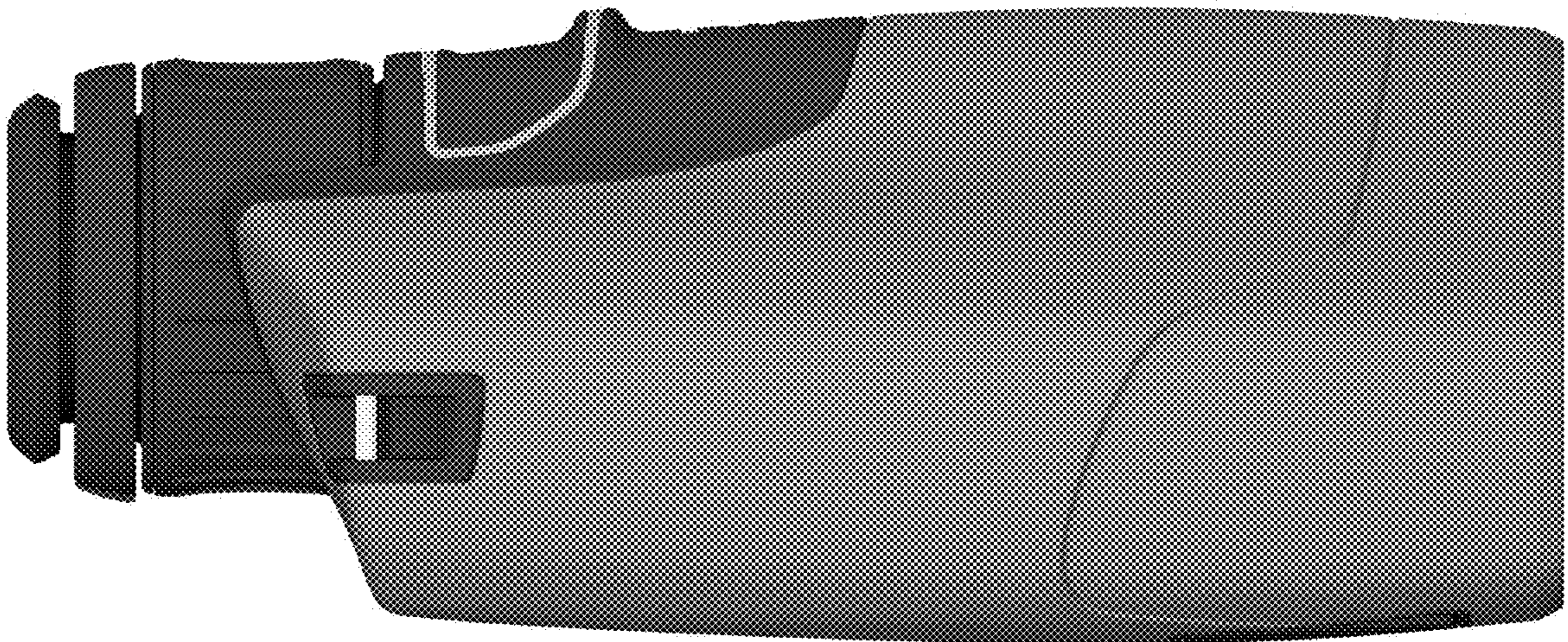
1.1



1.2



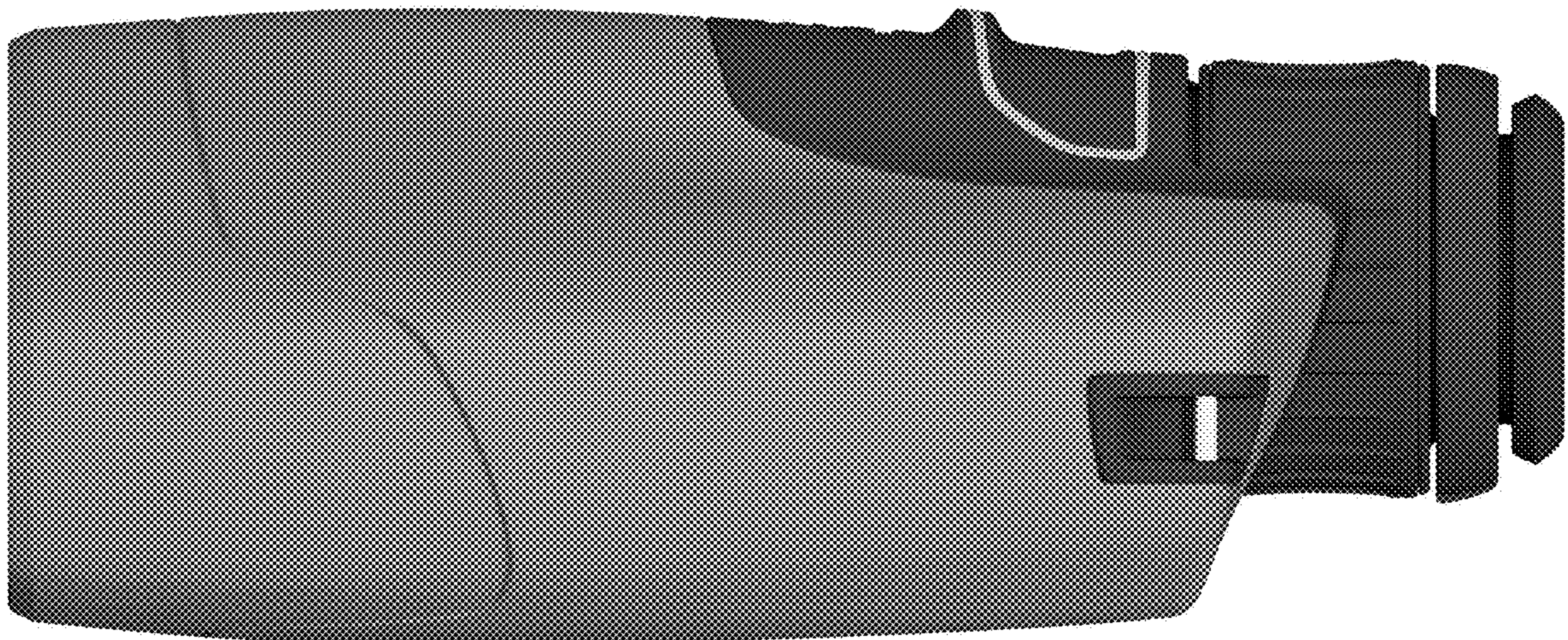
1.3



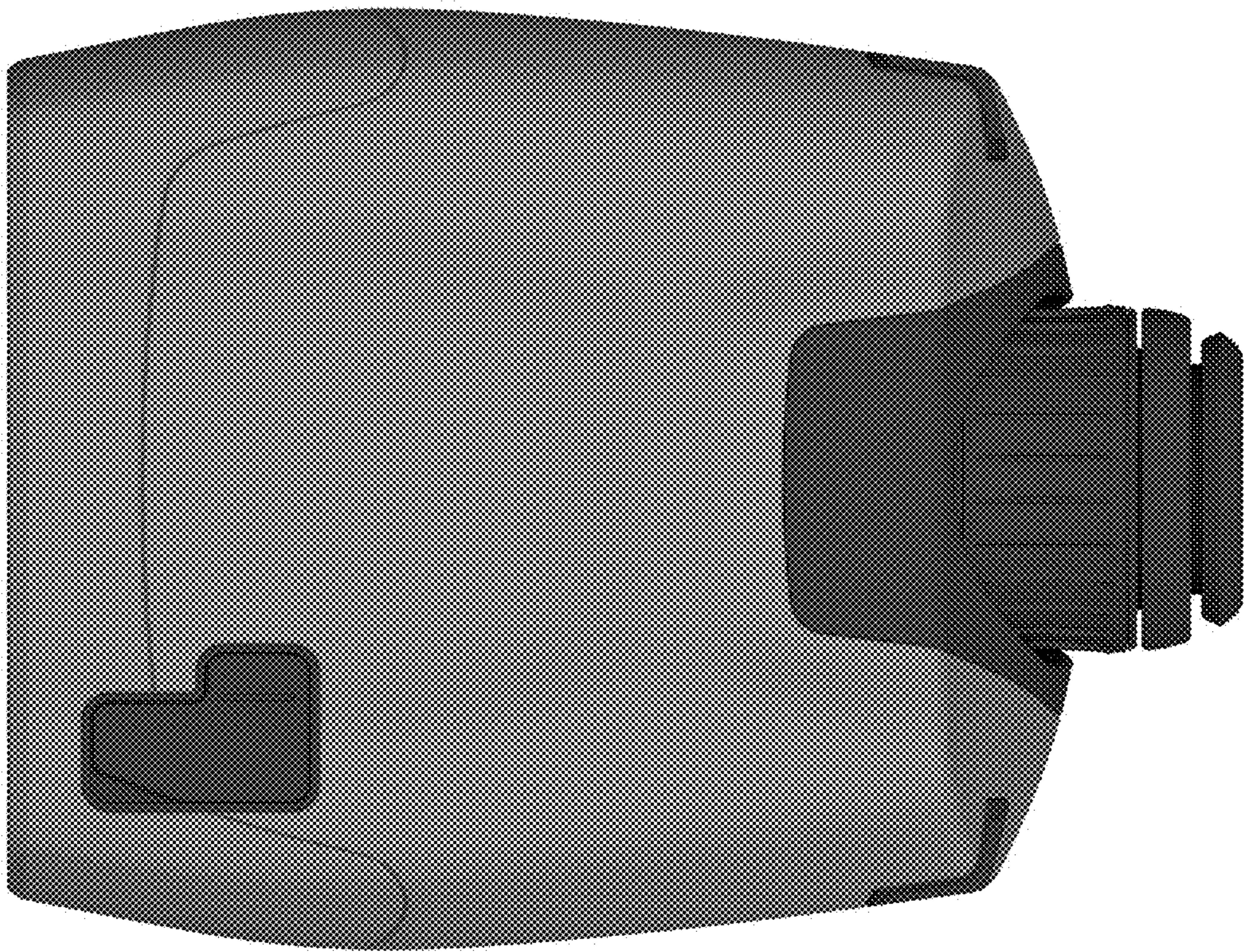
1.4



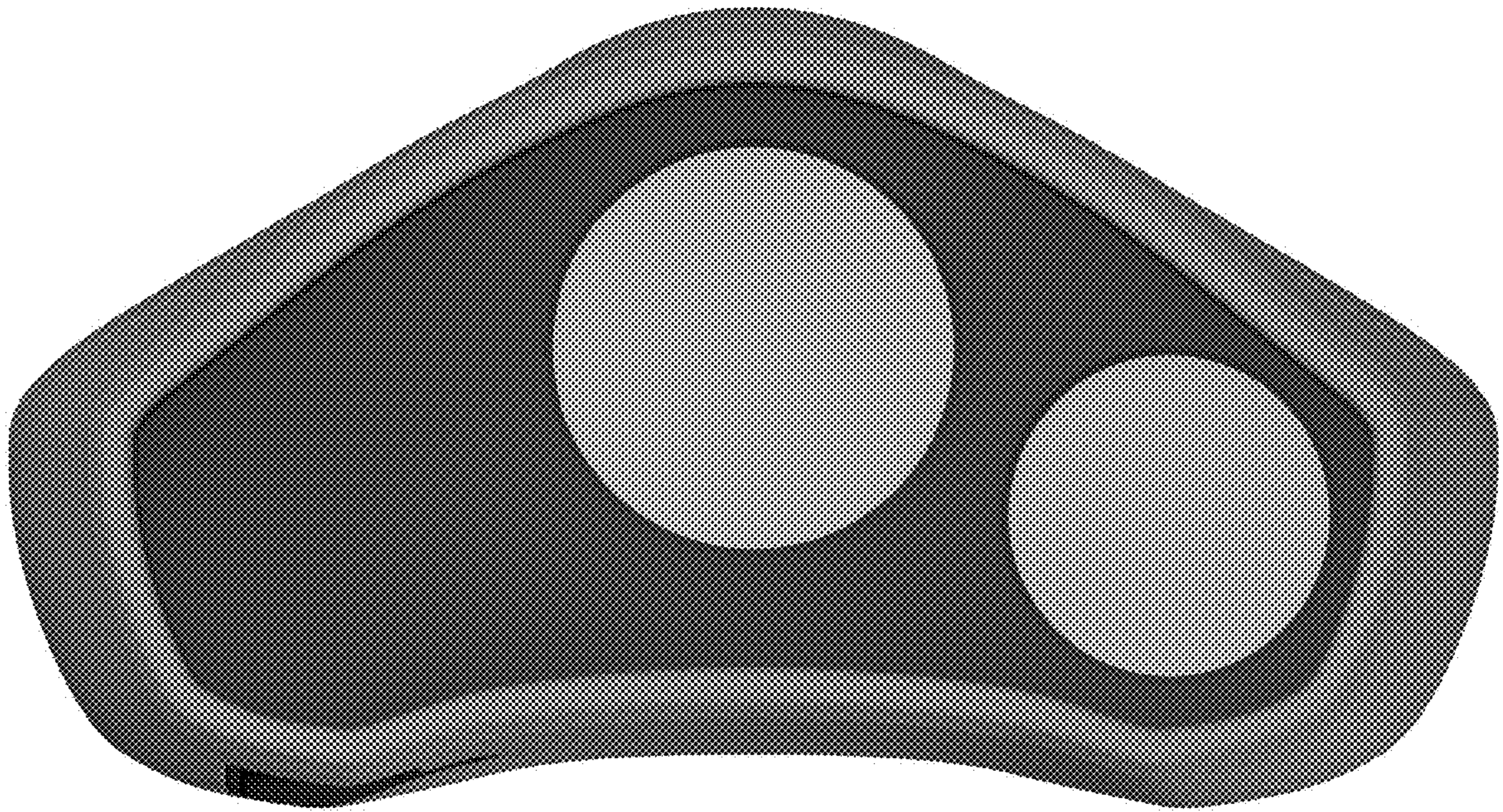
1.5



1.6

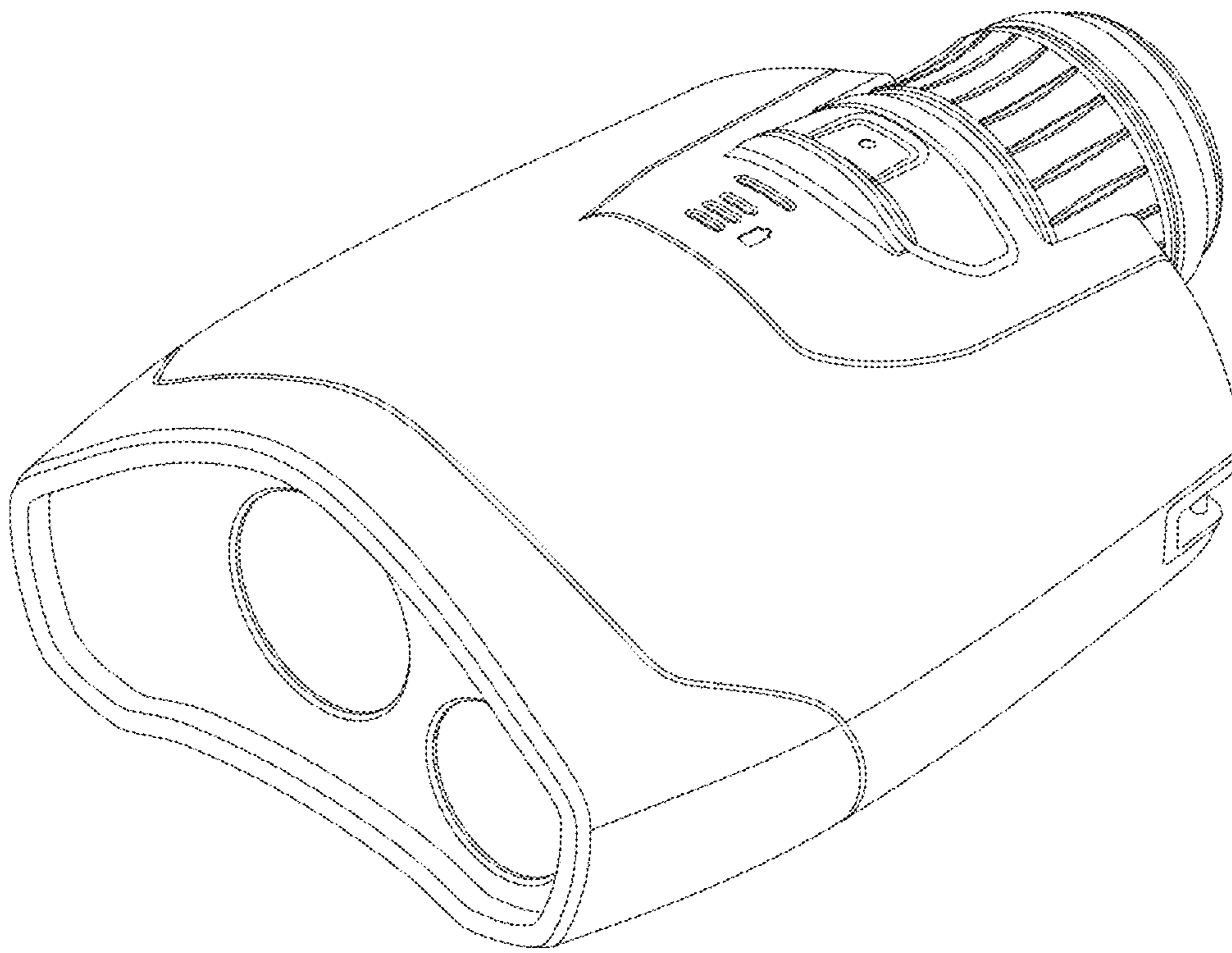


1.7

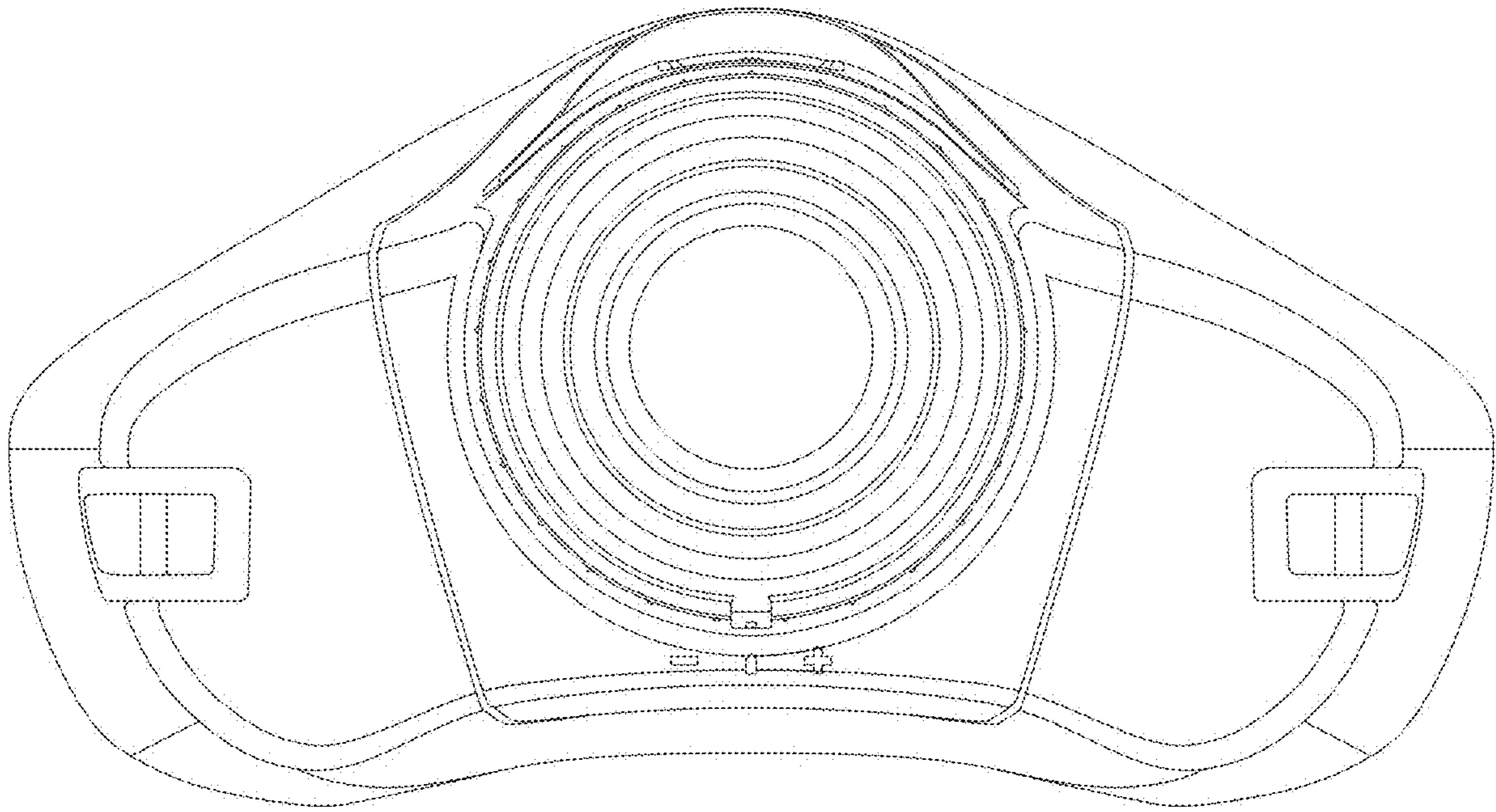




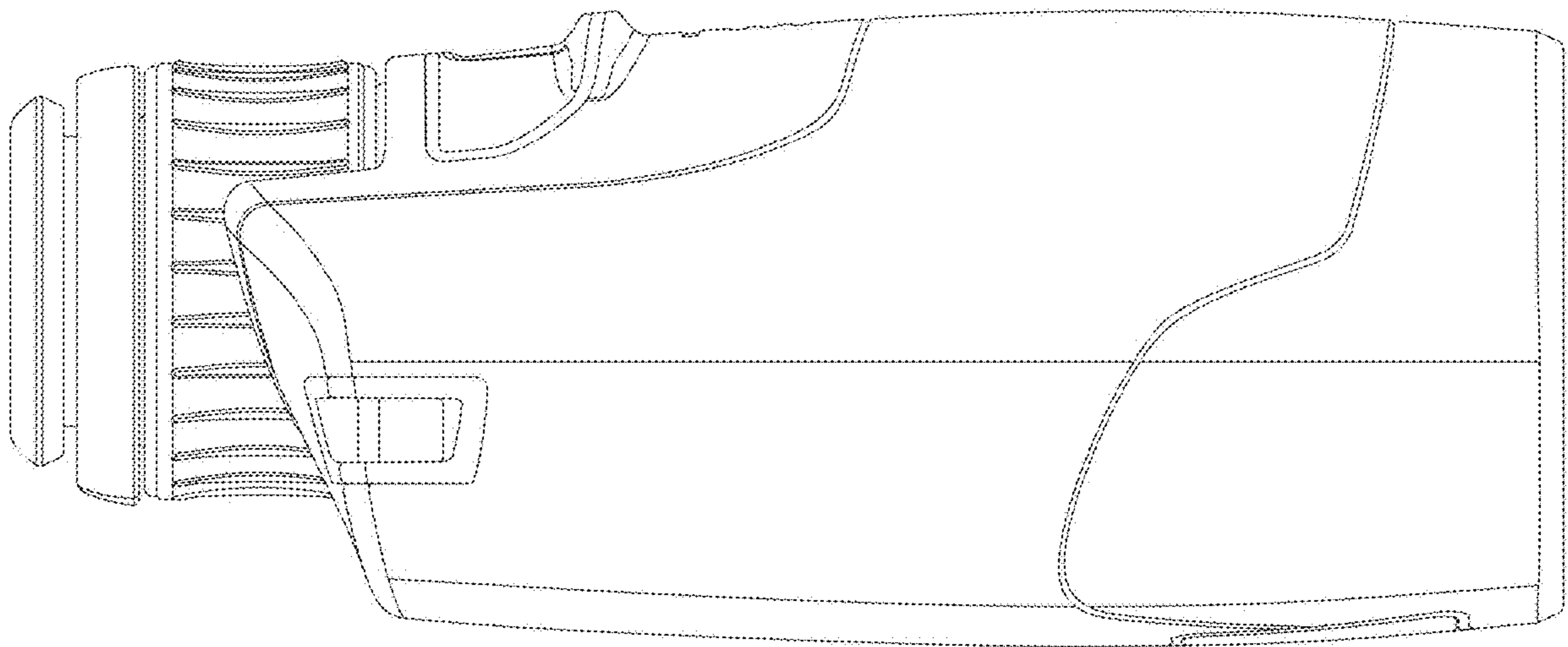
2.1



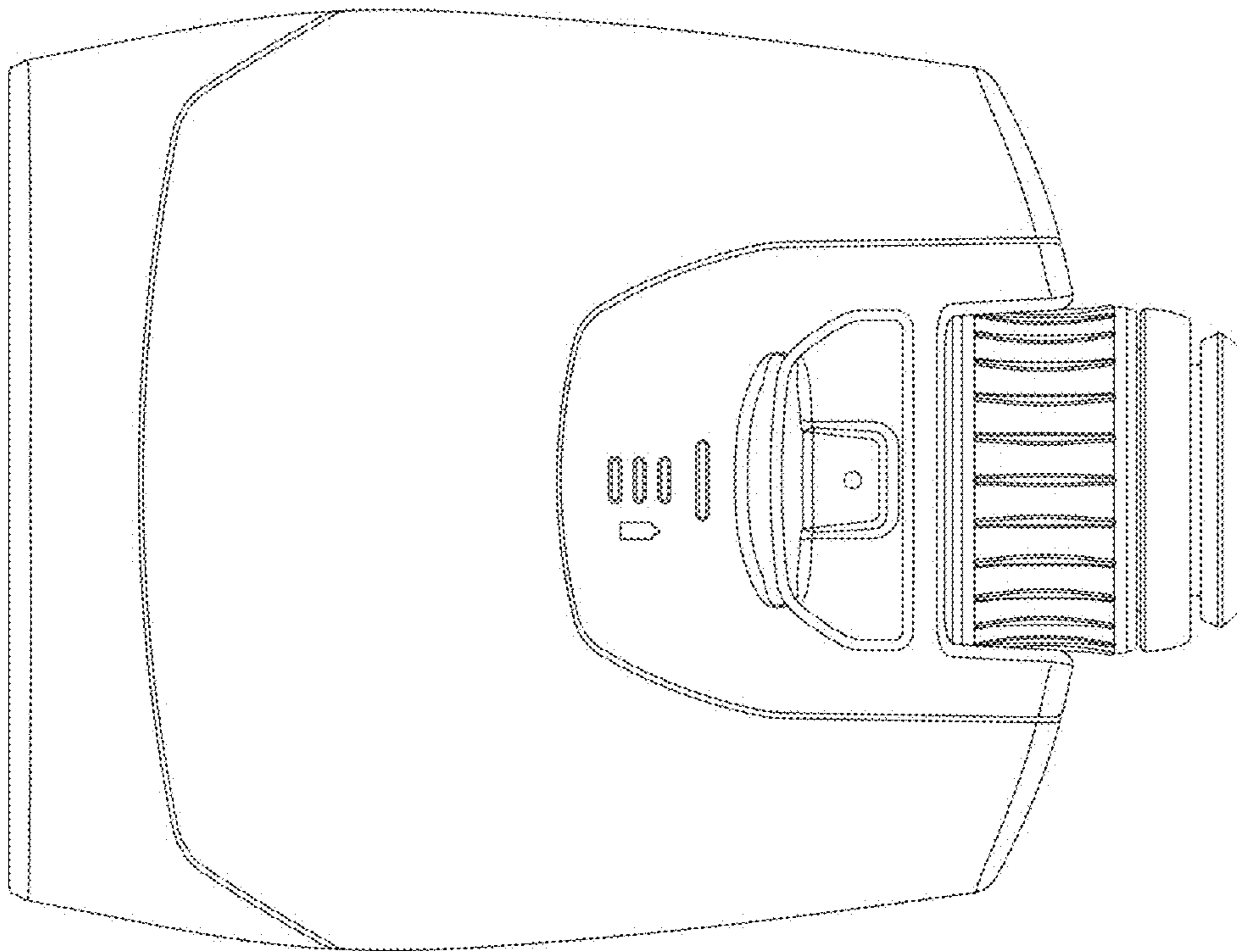
2.2



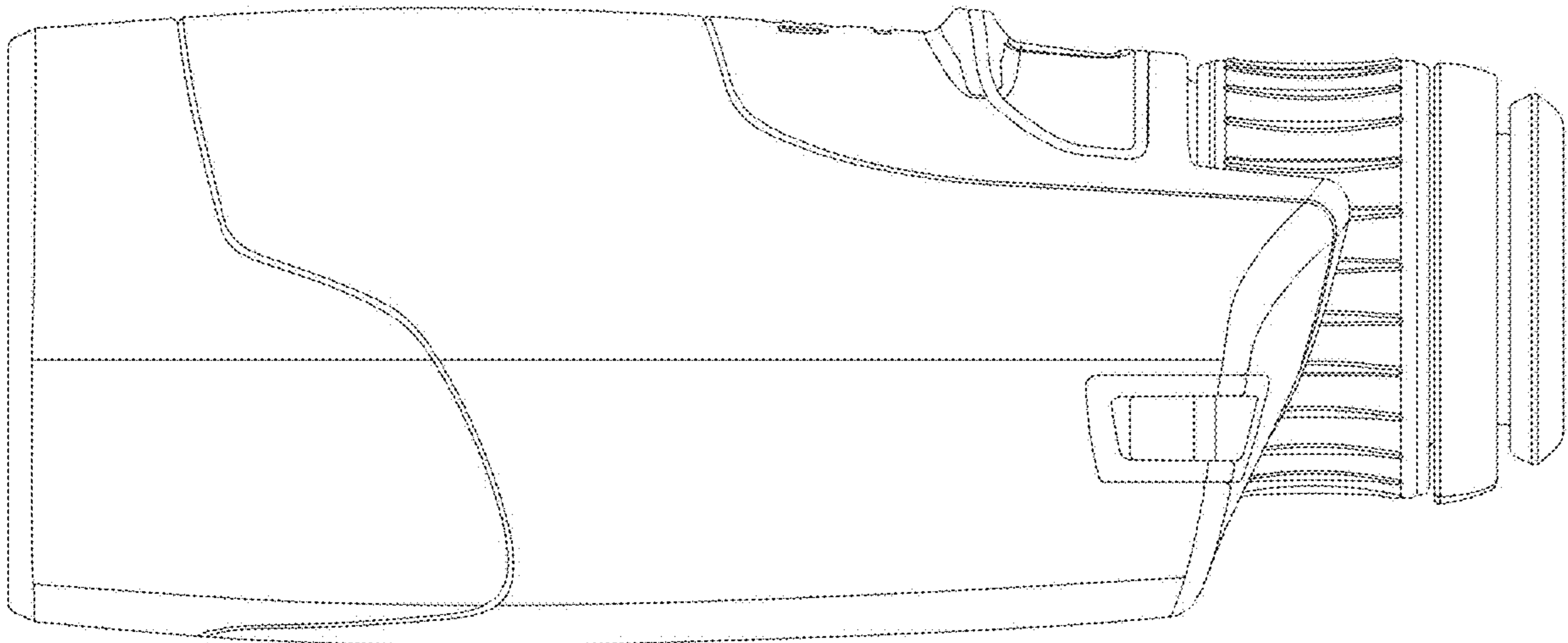
2.3



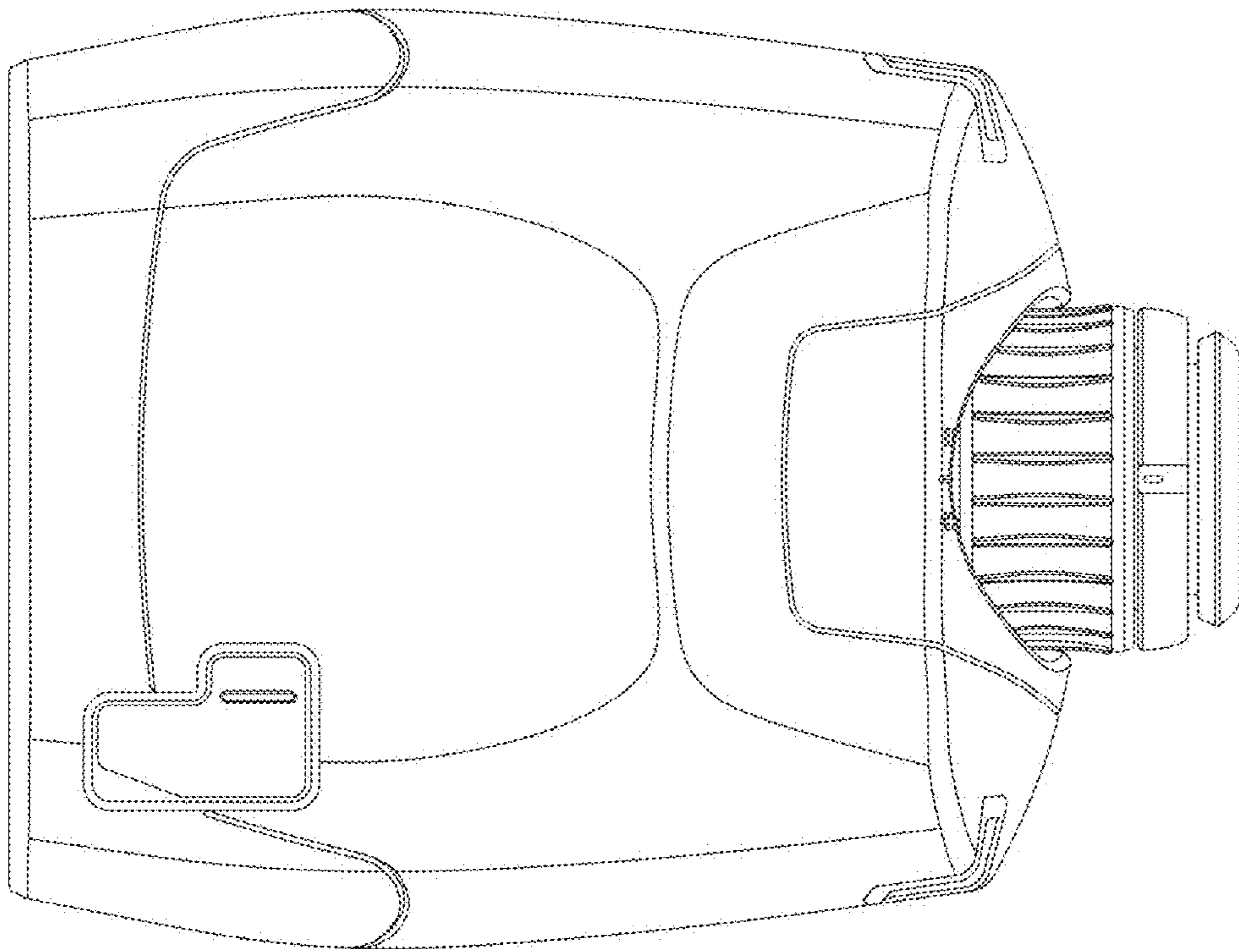
2.4



2.5



2.6



2.7

