



US00D918979S

(12) **United States Design Patent**
Mullan

(10) **Patent No.:** **US D918,979 S**

(45) **Date of Patent:** **** May 11, 2021**

(54) **ROBOT EDUCATIONAL TOY**

(71) Applicant: **NORBY PTY LTD.**, Windsor (AU)

(72) Inventor: **Adrian Mullan**, Windsor (AU)

(**) Term: **15 Years**

(21) Appl. No.: **29/672,815**

(22) Filed: **Dec. 10, 2018**

D866,627 S * 11/2019 Yun D15/199
D877,788 S * 3/2020 Yun D15/199
D896,291 S * 9/2020 Xing D15/199

(Continued)

FOREIGN PATENT DOCUMENTS

CN 304006346 * 1/2017
CN 304795268 * 8/2018
CN 305357392 * 9/2019

(Continued)

OTHER PUBLICATIONS

Joybuy. Link: <https://www.joybuy.com/product/600250601.html>. Visited Oct. 25, 2019. Intelligence Express C20 Intelligent Robot Early Learning Machine WiFi Story Machine Educational Toy Robot 32G High Edition Pink. (Year: 2019).*

Primary Examiner — Lauren D McVey

Related U.S. Application Data

(63) Continuation-in-part of application No. 29/624,110, filed on Oct. 30, 2017, now abandoned.

(51) **LOC (13) Cl.** **19-07**

(52) **U.S. Cl.**

USPC **D15/199**; D21/578; D19/59

(58) **Field of Classification Search**

USPC D19/59-64; D21/576, 578, 625; D15/199

CPC .. G06N 99/005; G09B 19/00; G09B 19/0053; G09B 5/06; G09B 5/062; G09B 5/065; G09B 5/125; B25J 9/1615; G05B 2219/40304

See application file for complete search history.

(57) **CLAIM**

The ornamental design for a robot educational toy, as shown and described.

DESCRIPTION

FIG. 1 is a front view showing a robot educational toy design;

FIG. 2 is a rear elevation view thereof;

FIG. 3 is a right side elevation view thereof;

FIG. 4 is a bottom plan view thereof;

FIG. 5 is a left side elevation view thereof;

FIG. 6 is a top plan view thereof;

FIG. 7 is a front perspective view thereof; and,

FIG. 8 is a rear perspective view thereof.

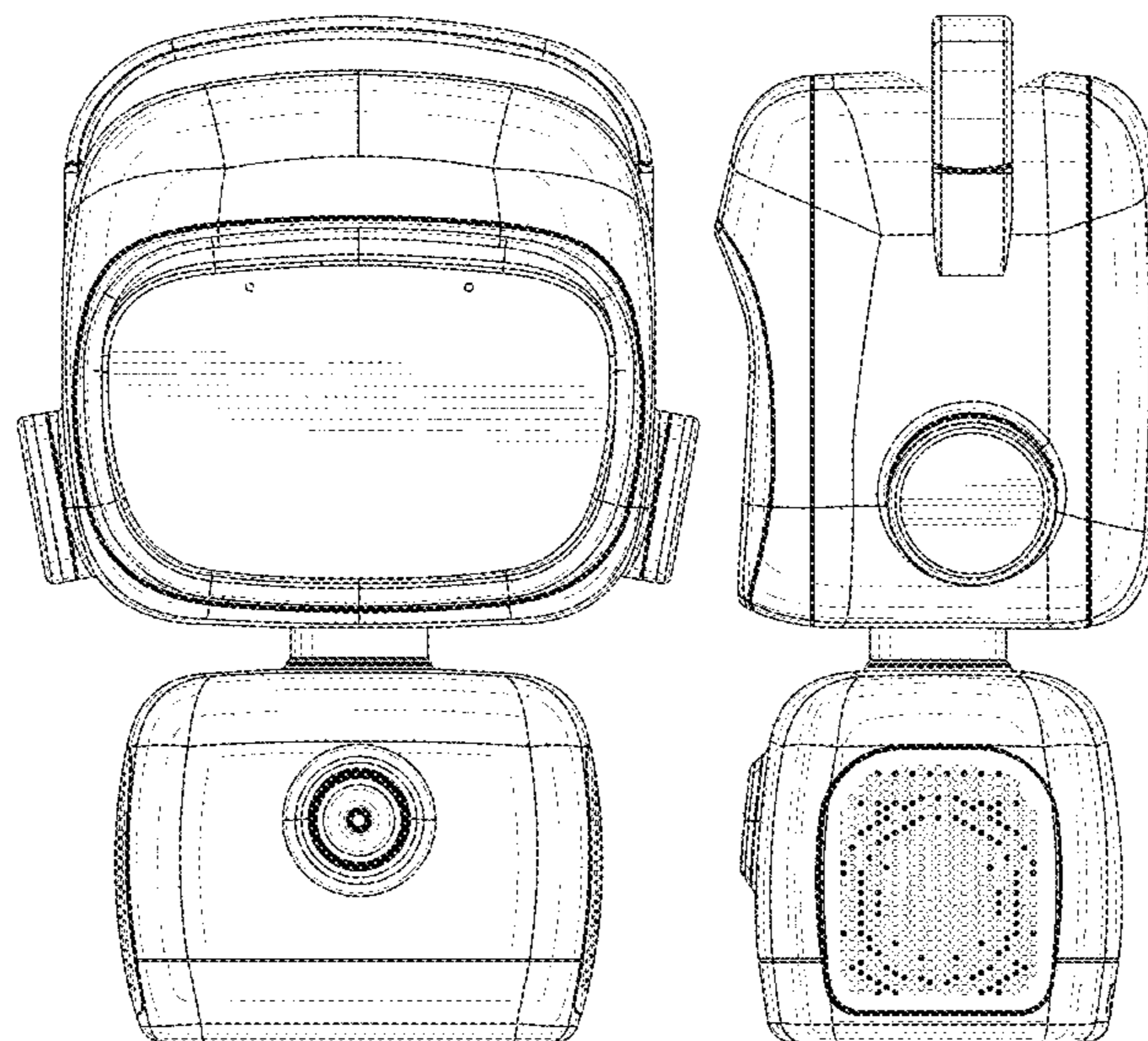
The wire frame lines shown throughout the views indicate surface contour. The broken lines immediately adjacent to the shaded areas depict the bounds of the claimed design, while all other broken lines are directed to environment. The broken lines form no part of the claimed design.

(56) **References Cited**

U.S. PATENT DOCUMENTS

D572,319 S * 7/2008 Yuen D21/584
7,766,716 B2 * 8/2010 Fong A63H 3/16
446/99
D638,074 S * 5/2011 Wong D21/621
D639,353 S * 6/2011 Stibolt D21/578
D685,438 S * 7/2013 Fan D15/199
D695,345 S * 12/2013 Park D19/59
D761,917 S * 7/2016 Kjellman D21/386
D822,740 S * 7/2018 Tsai D15/199
D823,367 S * 7/2018 Tsai D15/199
D836,690 S * 12/2018 Kim D15/199
D838,758 S * 1/2019 Kymm D15/199
D852,861 S * 7/2019 Lee D15/199

1 Claim, 8 Drawing Sheets



(56)

References Cited

U.S. PATENT DOCUMENTS

D898,789 S * 10/2020 Nazarihorram D15/199

FOREIGN PATENT DOCUMENTS

EP 3282327 A1 * 2/2018 A63H 11/10
JP 2012239557 A * 12/2012

* cited by examiner

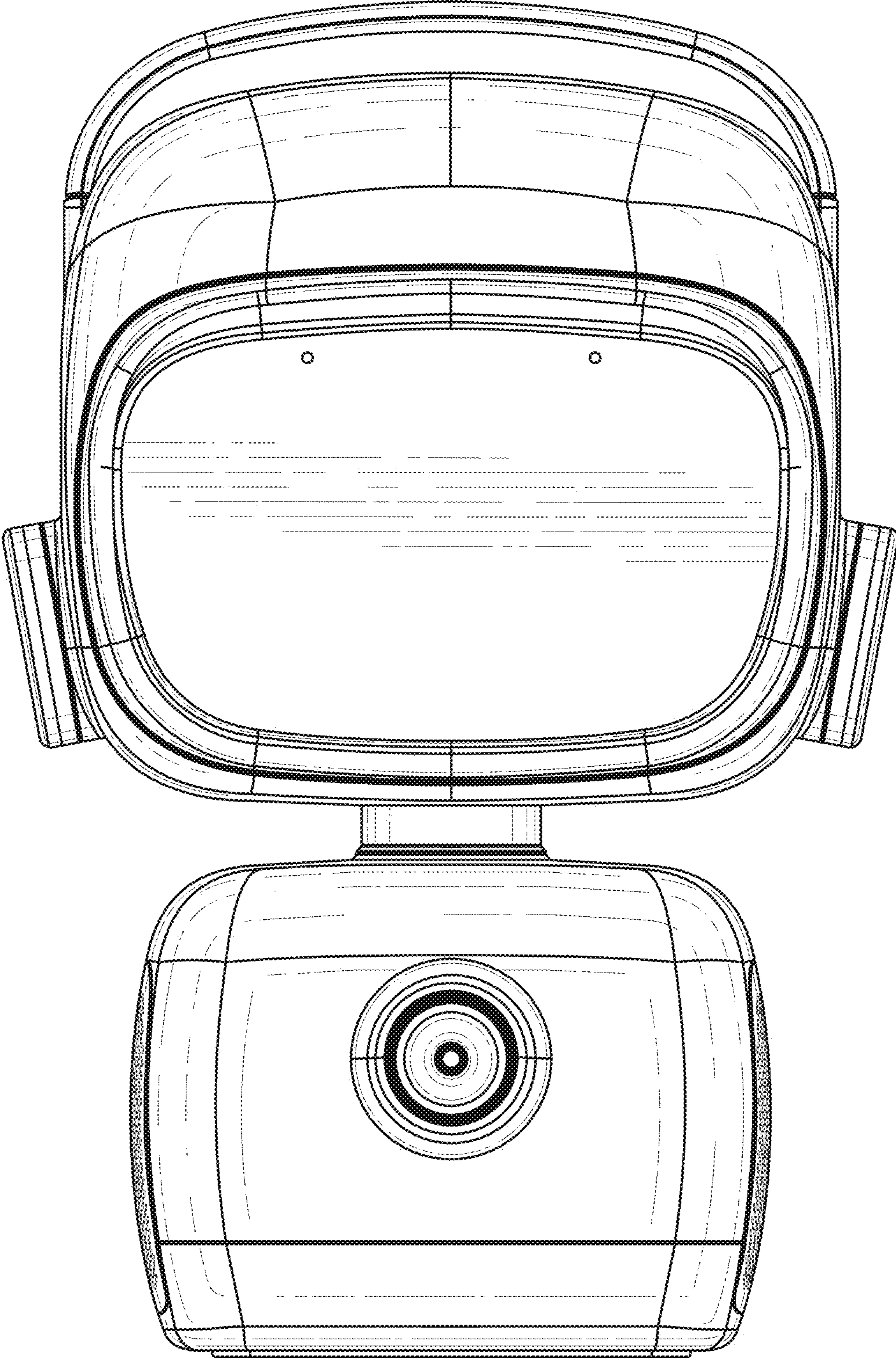


FIG. 1

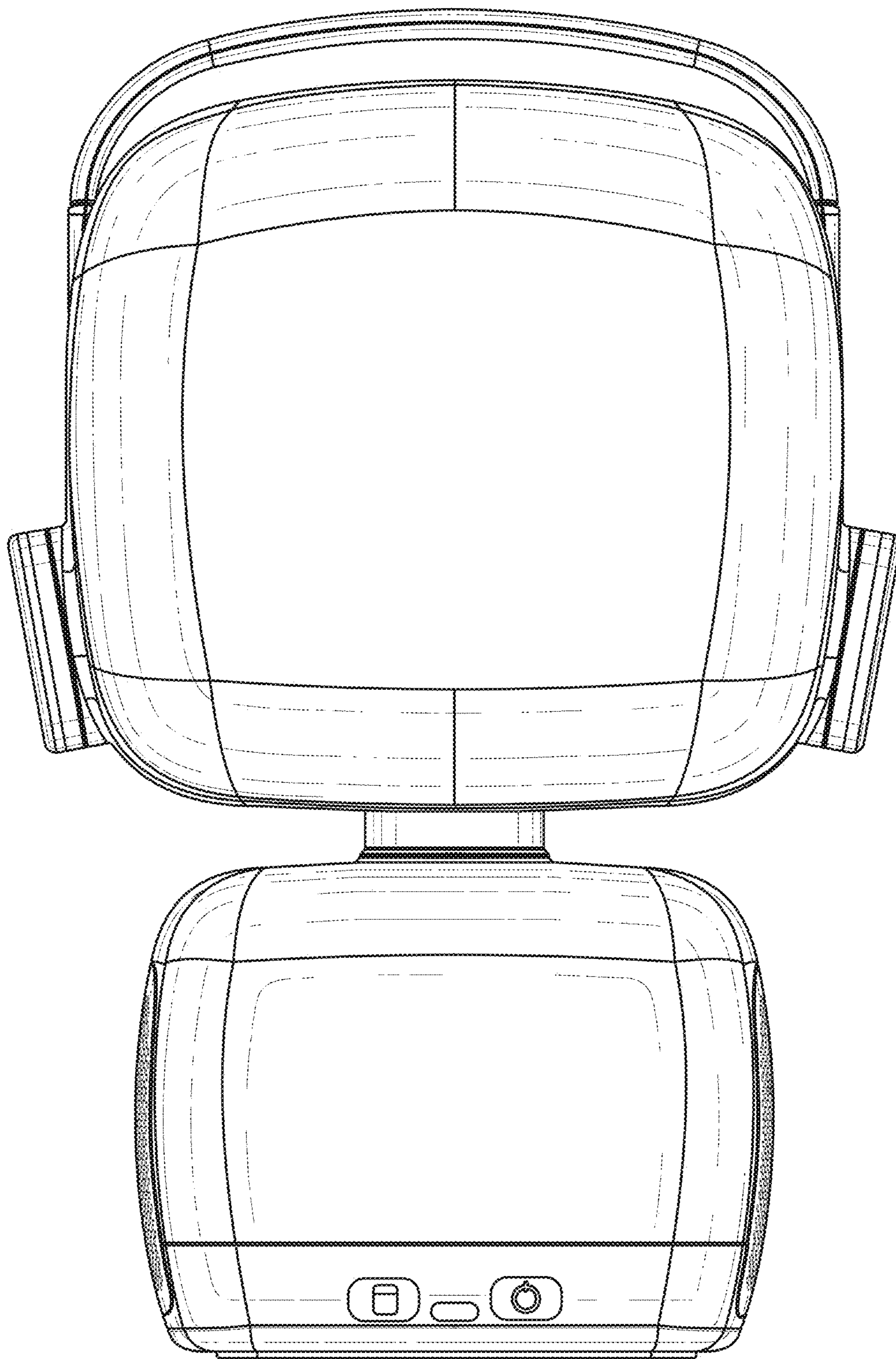


FIG. 2

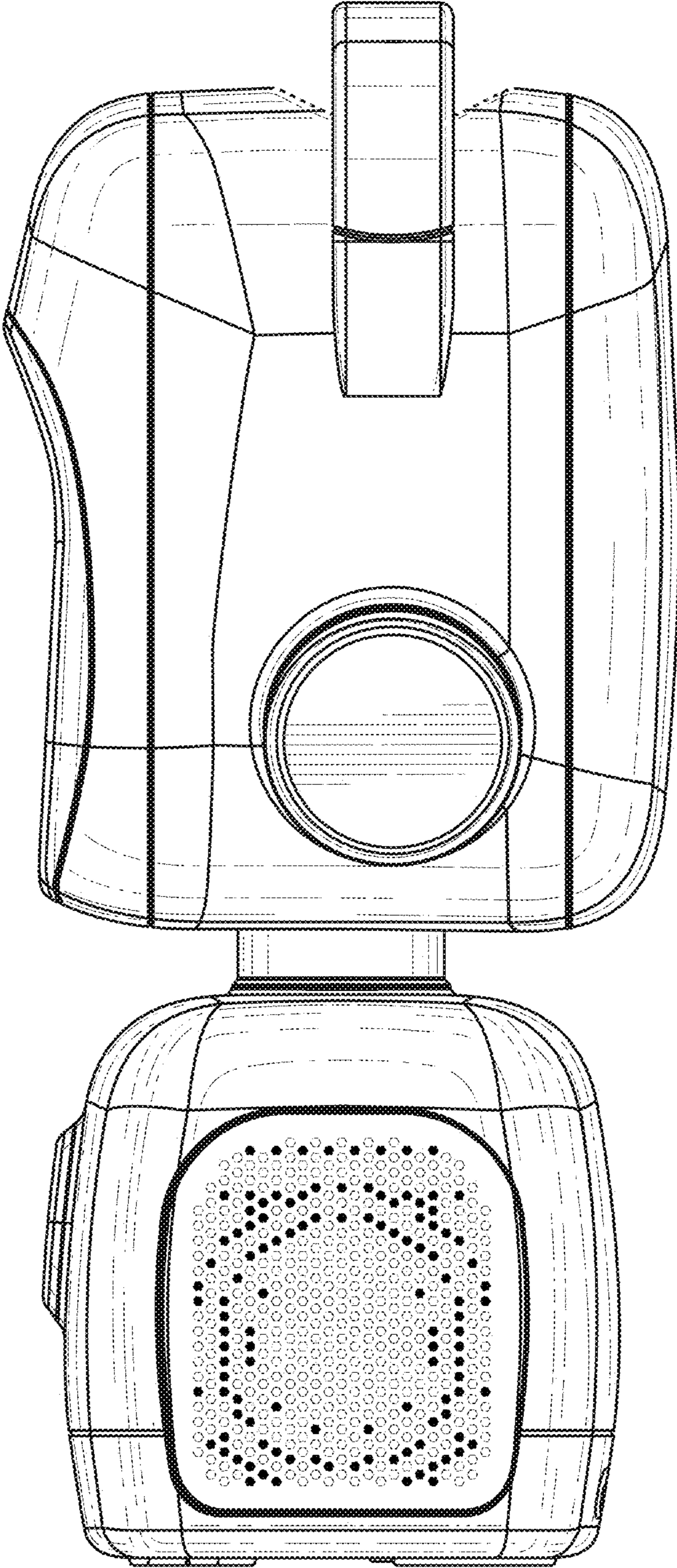


FIG. 3

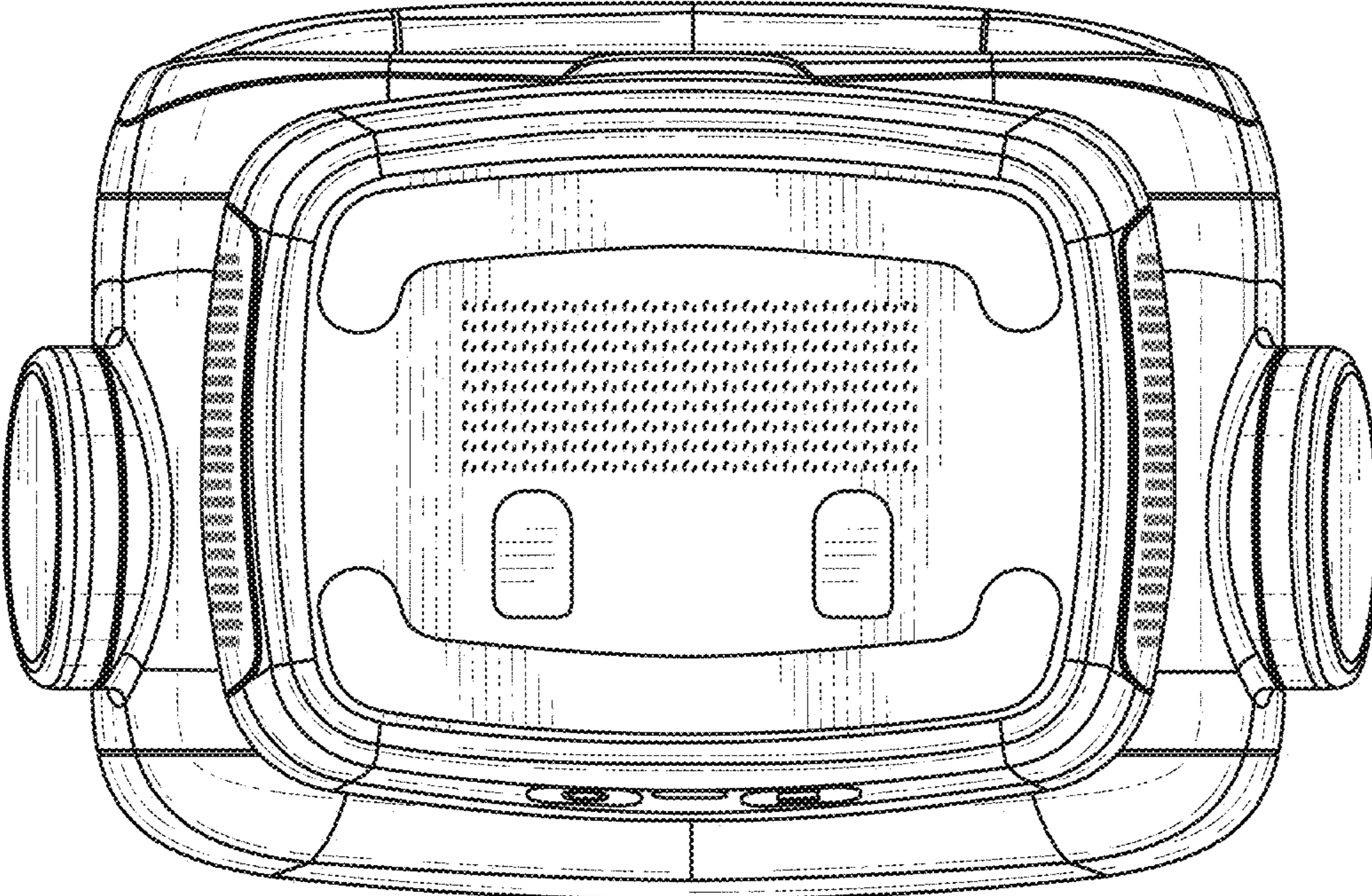


FIG. 4

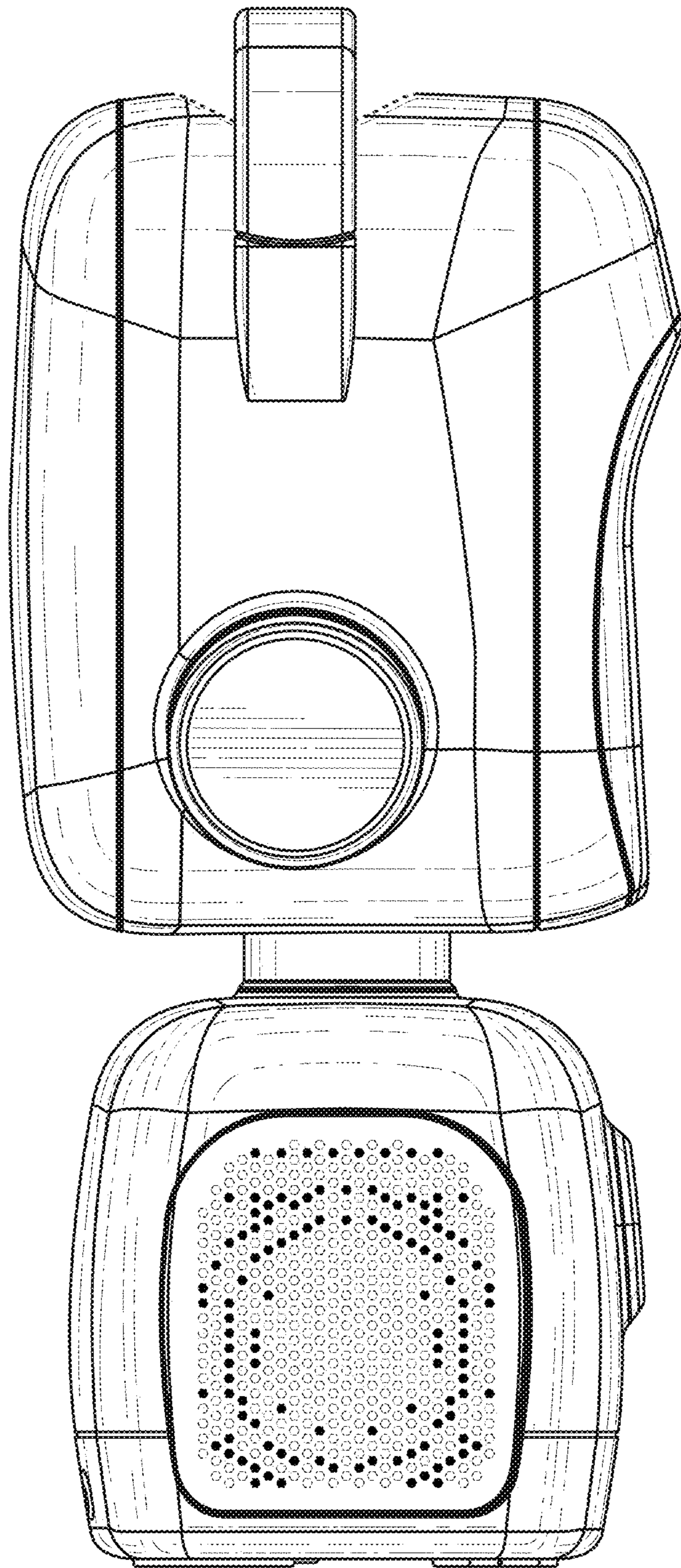


FIG. 5

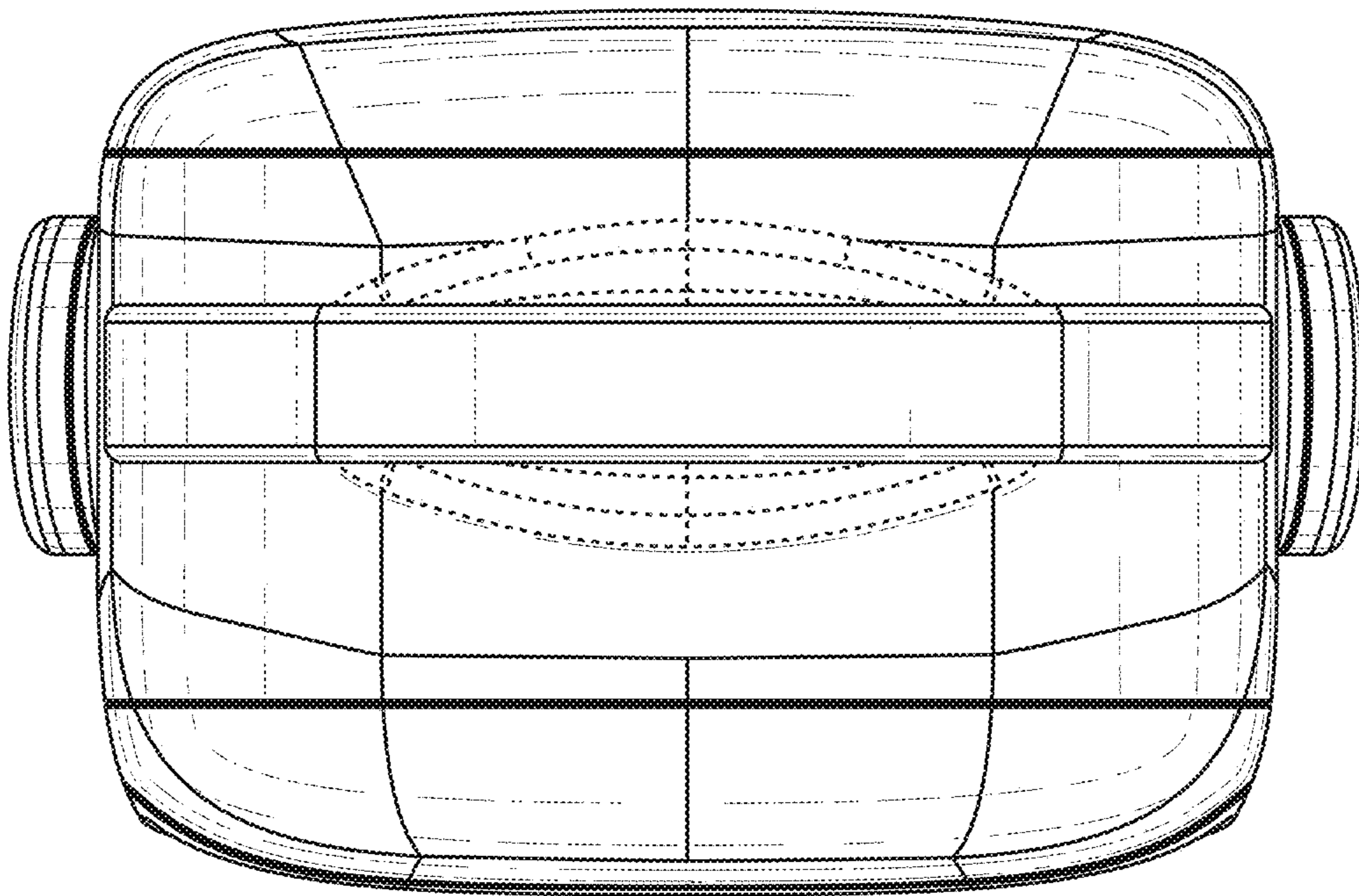


FIG. 6

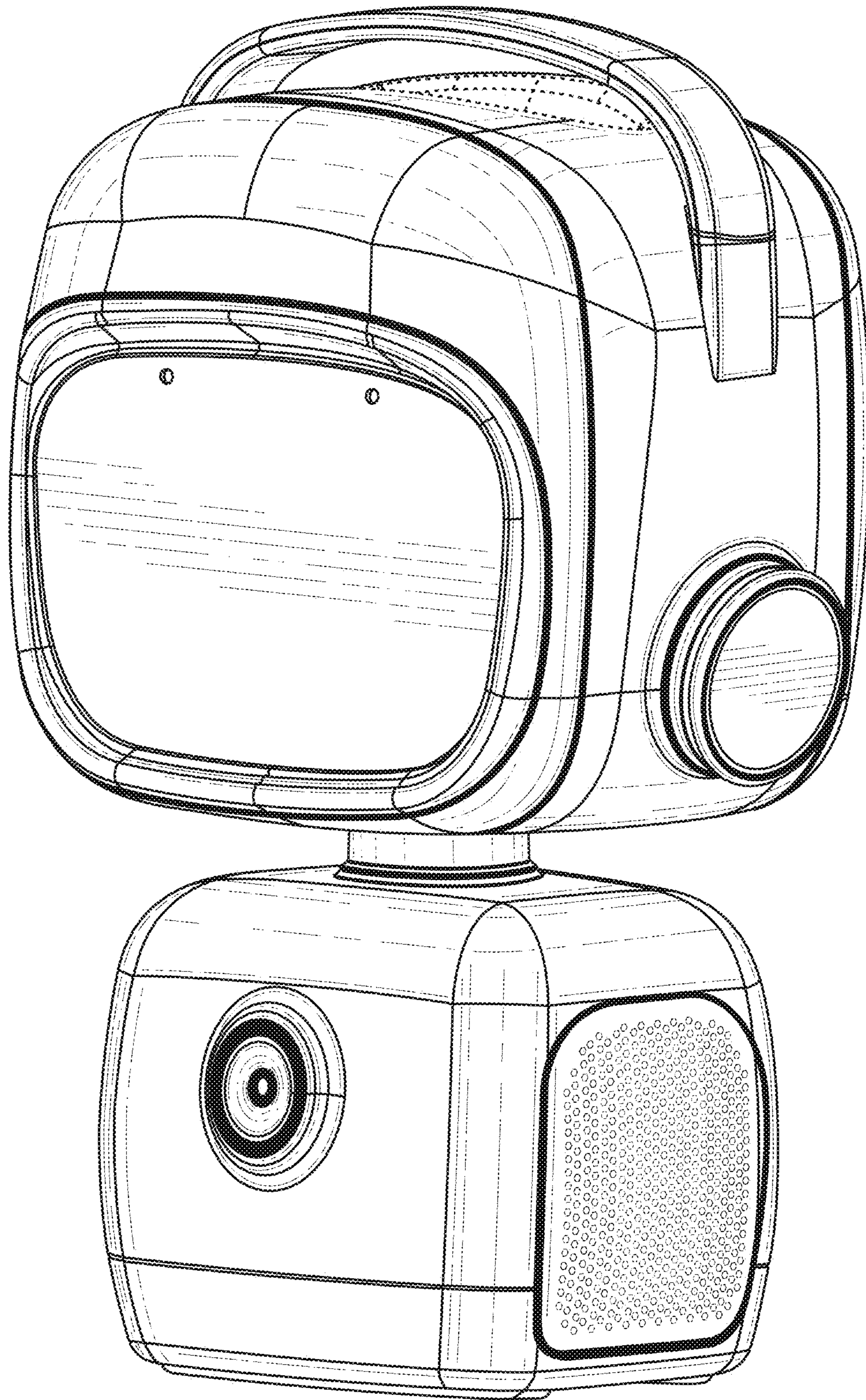


FIG. 7

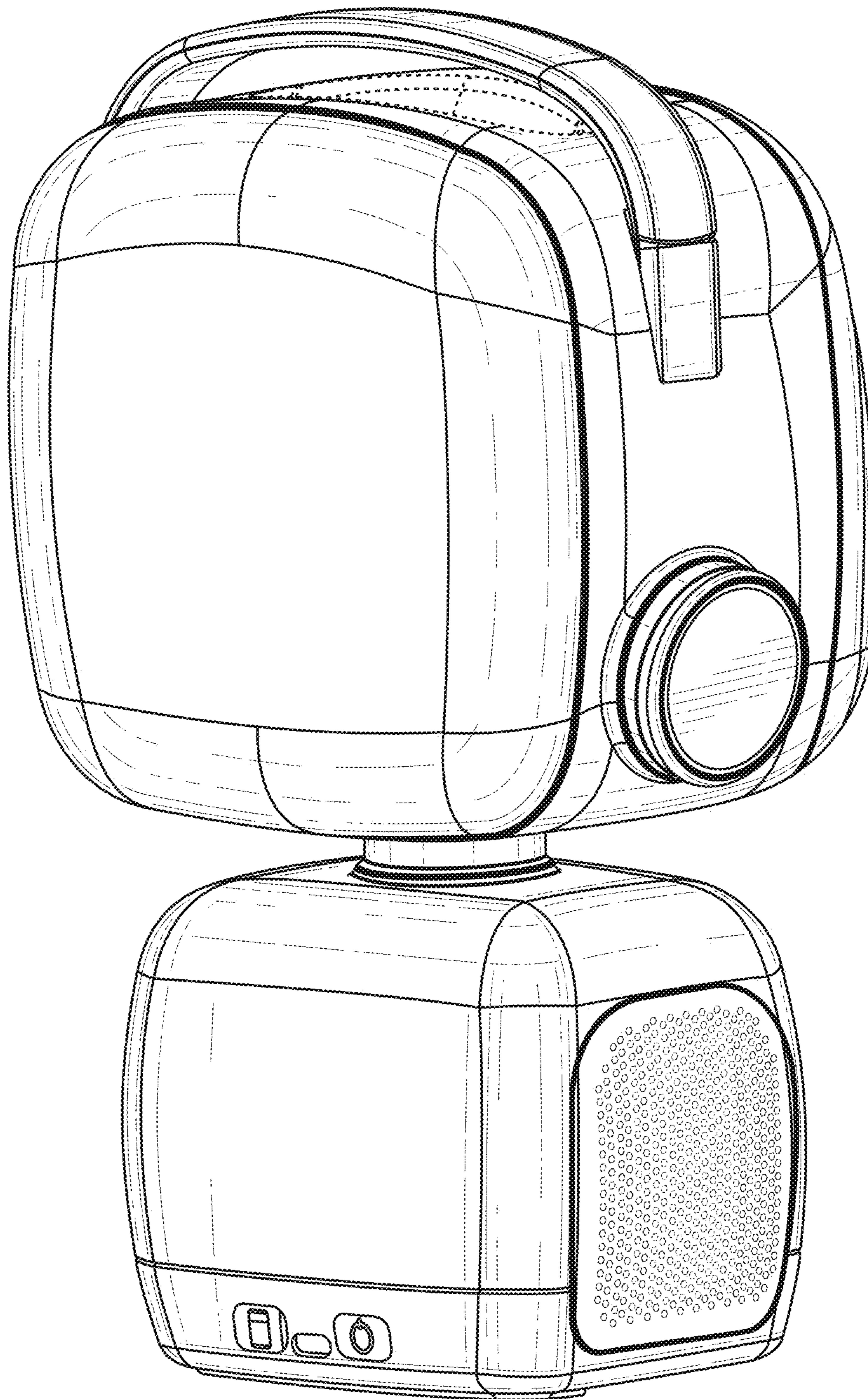


FIG. 8