



US00D918977S

(12) **United States Design Patent** (10) **Patent No.:** **US D918,977 S**
Chrysanthakopoulos et al. (45) **Date of Patent:** **** May 11, 2021**

- (54) **AUTONOMOUS MOBILE PLATFORM** 5,154,249 A * 10/1992 Yardley B60D 1/06
180/168
- (71) Applicant: **DCENTRALIZED SYSTEMS LLC**, D712,447 S * 9/2014 He D15/199
Seattle, WA (US) D810,799 S * 2/2018 Sokuza D15/199
- (72) Inventors: **Georgios Chrysanthakopoulos**, Seattle, 10,202,061 B2 * 2/2019 Scherle B60L 5/005
WA (US); **Adlai Felser**, Seattle, WA D857,773 S * 8/2019 Muraishi D15/199
(US) D865,021 S * 10/2019 Hu D15/199
D866,628 S * 11/2019 Xi D15/199
D879,854 S * 3/2020 Lu D15/199
D892,188 S * 8/2020 Galluzzo D15/199
- (73) Assignee: **Dcentralized Systems LLC**, Seattle, 2004/0042885 A1 * 3/2004 Rokkaku B60L 15/38
WA (US) 414/529

(Continued)

(**) Term: **15 Years**

Primary Examiner — Patricia A Palasik

(21) Appl. No.: **29/665,575**

(74) *Attorney, Agent, or Firm* — Tracy M. Heims; Apex
Juris, pllc.

(22) Filed: **Oct. 4, 2018**

(57) **CLAIM**

The ornamental design for an autonomous mobile platform,
as shown and described.

Related U.S. Application Data

(63) Continuation of application No. 16/024,450, filed on
Jun. 29, 2018.

DESCRIPTION

(51) **LOC (13) Cl.** **15-99**

FIG. 1 is a side view of a autonomous mobile platform.

(52) **U.S. Cl.**

FIG. 2 is a front view of a autonomous mobile platform.

USPC **D15/199**; D34/34

FIG. 3 is a back view of a autonomous mobile platform.

(58) **Field of Classification Search**

FIG. 4 is a top view of a autonomous mobile platform.

USPC D15/199; D34/34

FIG. 5 is a bottom view of a autonomous mobile platform.

CPC . B25J 5/005; B25J 9/044; B25J 9/102; B62D

FIG. 6 is an elevated perspective view from the rear of a
autonomous mobile platform.

55/065; B62D 55/075; B62D 57/028;

FIG. 7 is an elevated perspective view from the front of a
autonomous mobile platform.

Y10T 74/20305

See application file for complete search history.

FIG. 8 is a side view of a autonomous mobile platform
shown with an attachment; and,

(56) **References Cited**

FIG. 9 is an elevated perspective view from the rear of a
autonomous mobile platform shown in condition of use with
an attachment including a tow bar and cart.

U.S. PATENT DOCUMENTS

4,496,274 A * 1/1985 Pipes B66F 9/063

In the drawings, the broken lines depict an attachment
including a tow bar and cart which form no part of the
claimed design.

414/340

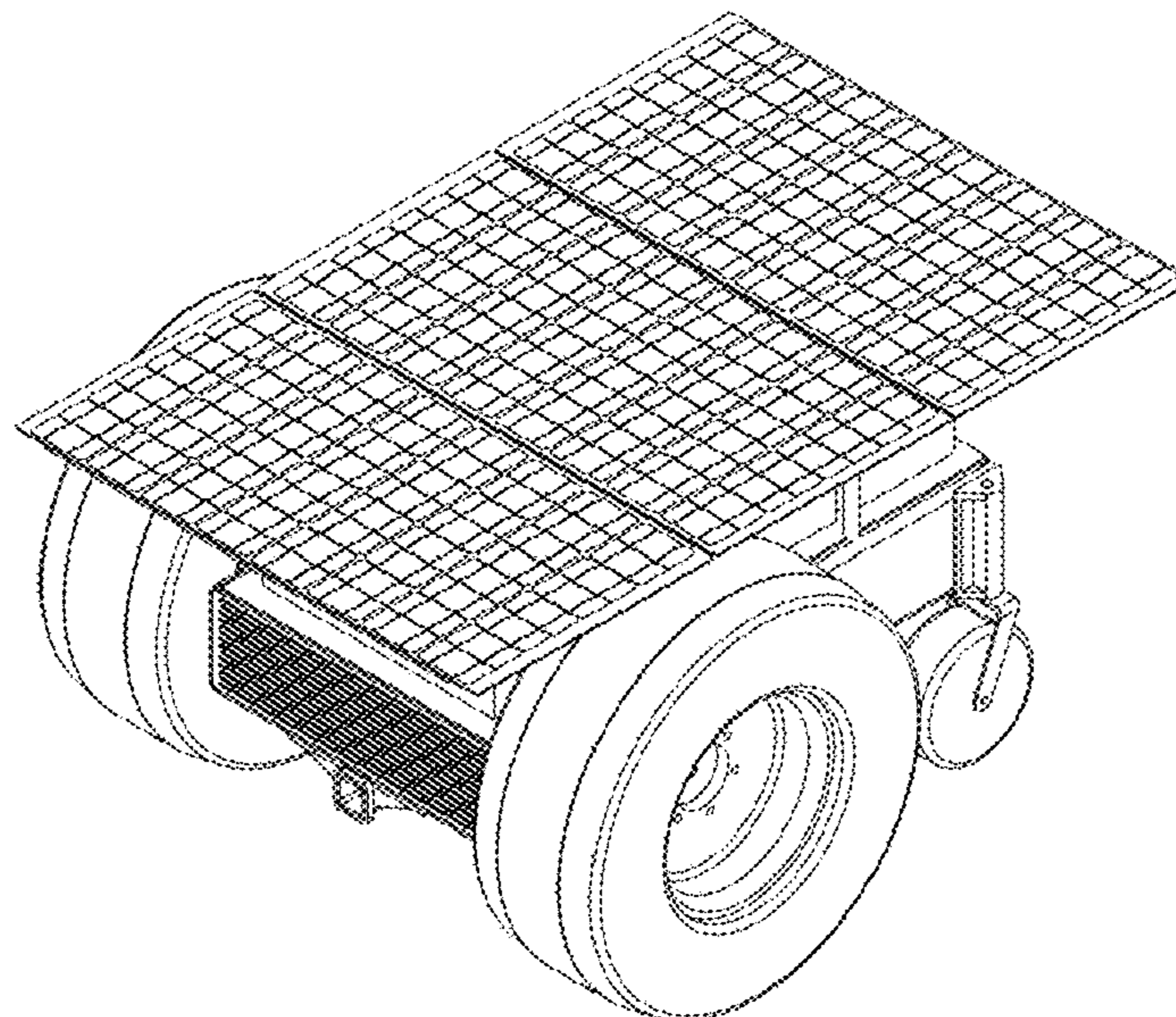
4,657,463 A * 4/1987 Pipes B62D 1/24

180/167

D295,105 S * 4/1988 Dawson D34/18

D320,579 S * 10/1991 Manning D12/1

1 Claim, 9 Drawing Sheets



(56)

References Cited

U.S. PATENT DOCUMENTS

2009/0035181 A1* 2/2009 Chung G01N 35/0099
422/68.1
2009/0074545 A1* 3/2009 Lert, Jr. B65G 1/0492
414/276
2010/0230196 A1* 9/2010 Nishimura B66F 9/07572
180/165
2010/0316468 A1* 12/2010 Lert B65G 1/1373
414/273
2015/0012163 A1* 1/2015 Crawley G05D 1/0248
701/23
2015/0073589 A1* 3/2015 Khodl B65G 1/1378
700/218
2017/0144502 A1* 5/2017 Bae B60G 17/015
2017/0172075 A1* 6/2017 Bermudez Rodriguez
G05D 1/0278
2017/0182924 A1* 6/2017 Lendo H02J 7/025
2017/0337506 A1* 11/2017 Wise G06Q 10/087
2018/0072212 A1* 3/2018 Alfaro G05D 1/0278
2018/0099811 A1* 4/2018 Shen B66F 9/063
2019/0200519 A1* 7/2019 Chrysanthakopoulos
A01D 34/008

* cited by examiner

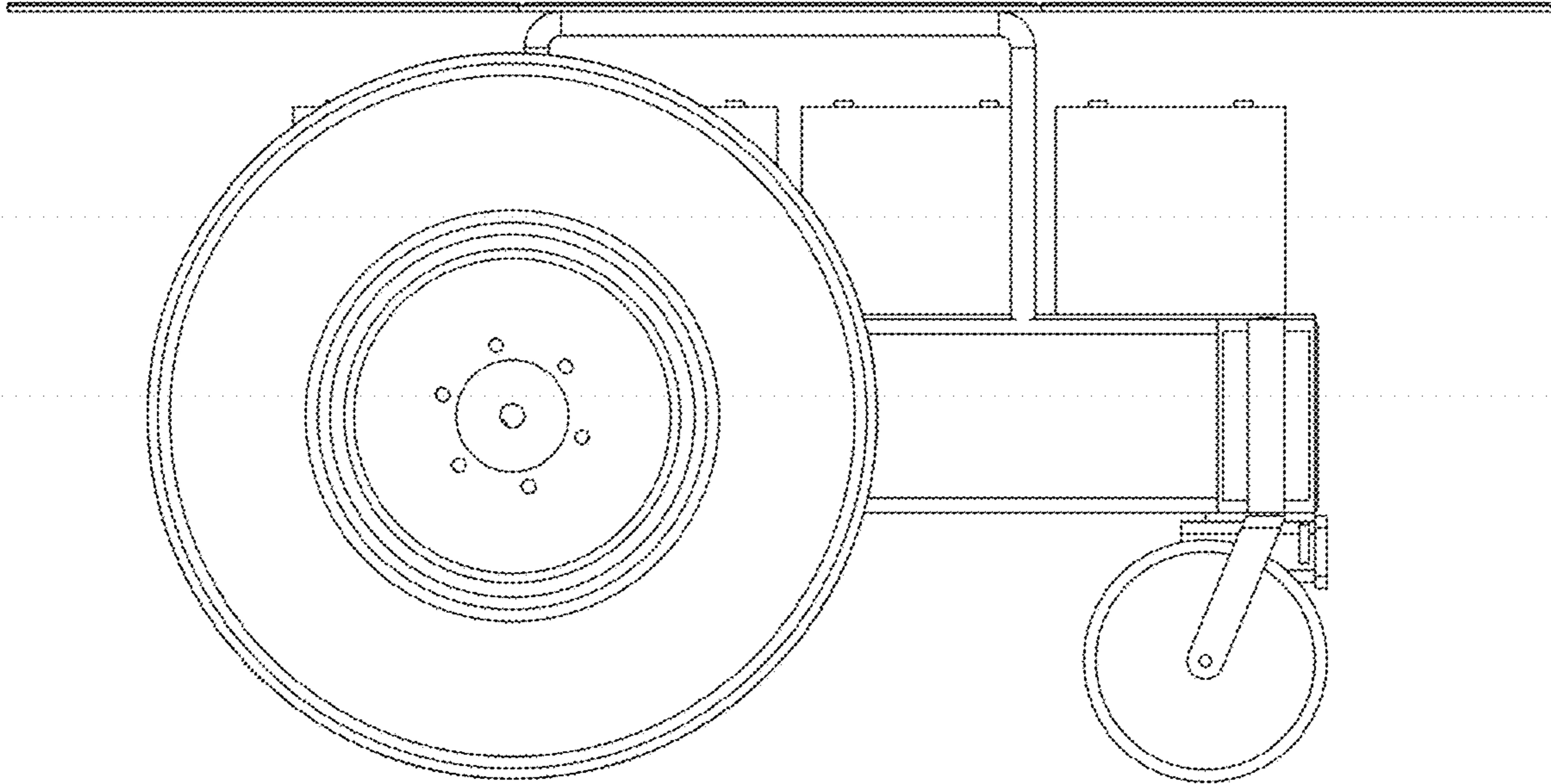


FIG. 1

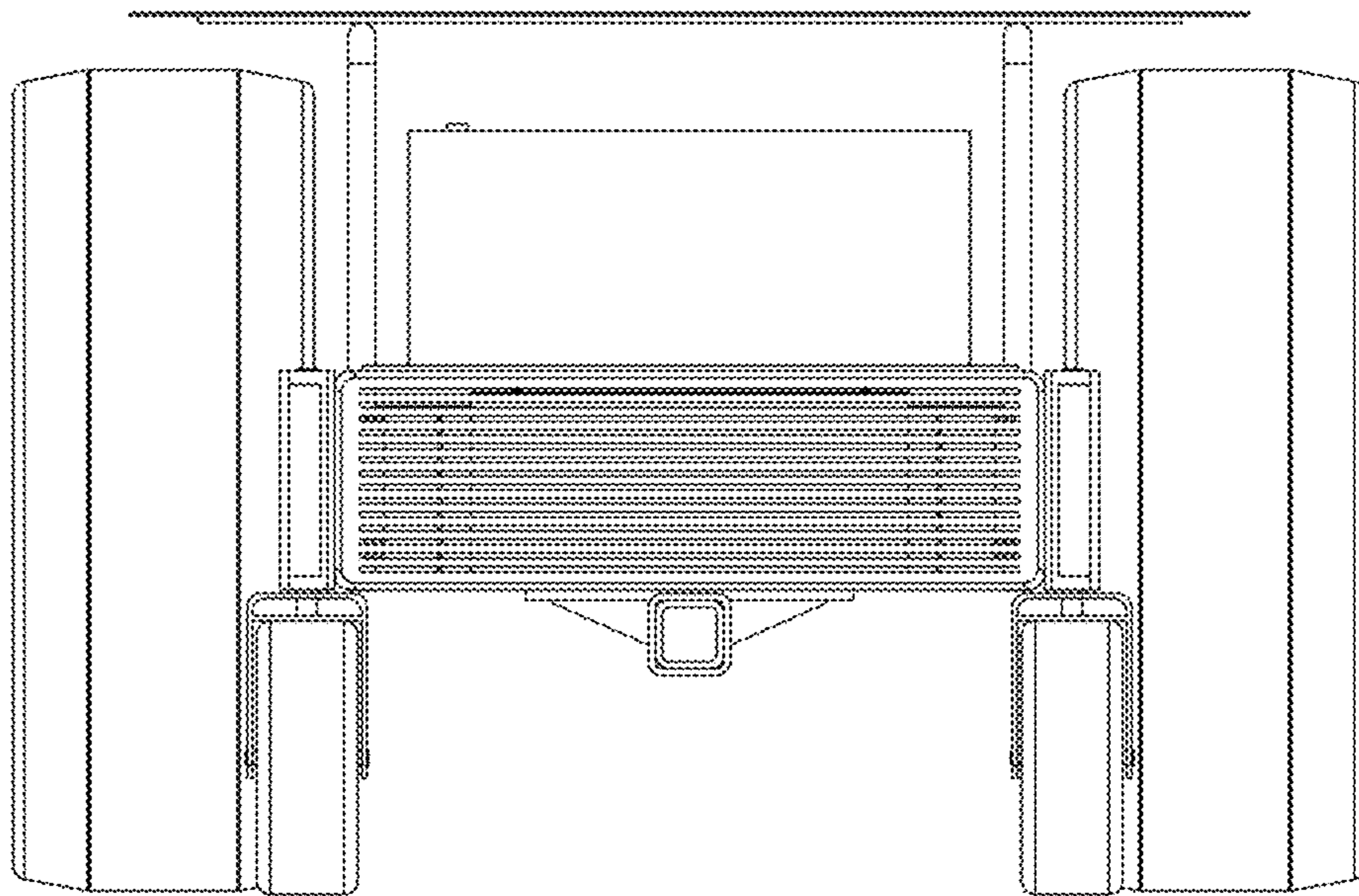


FIG. 2

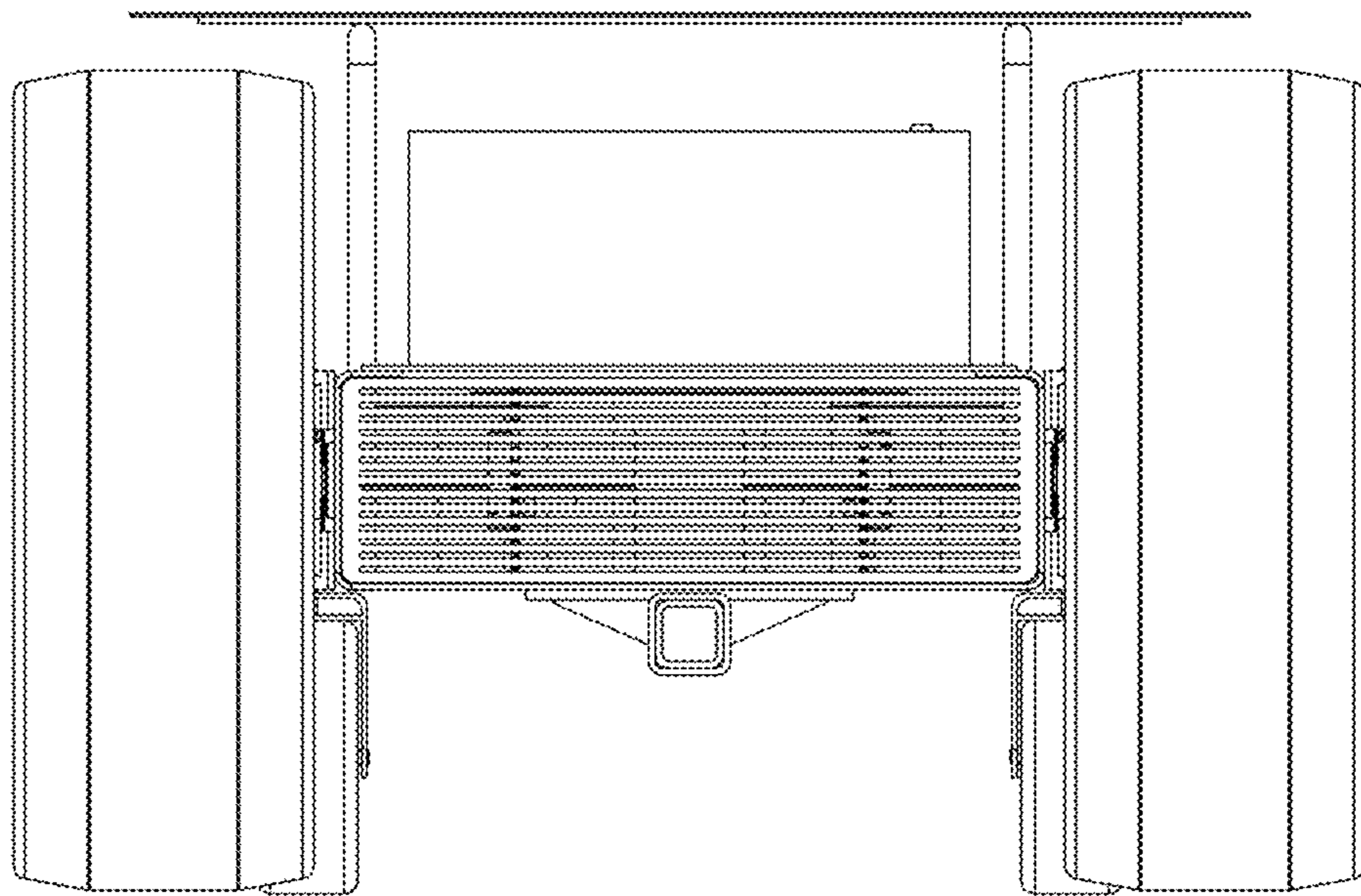


FIG. 3

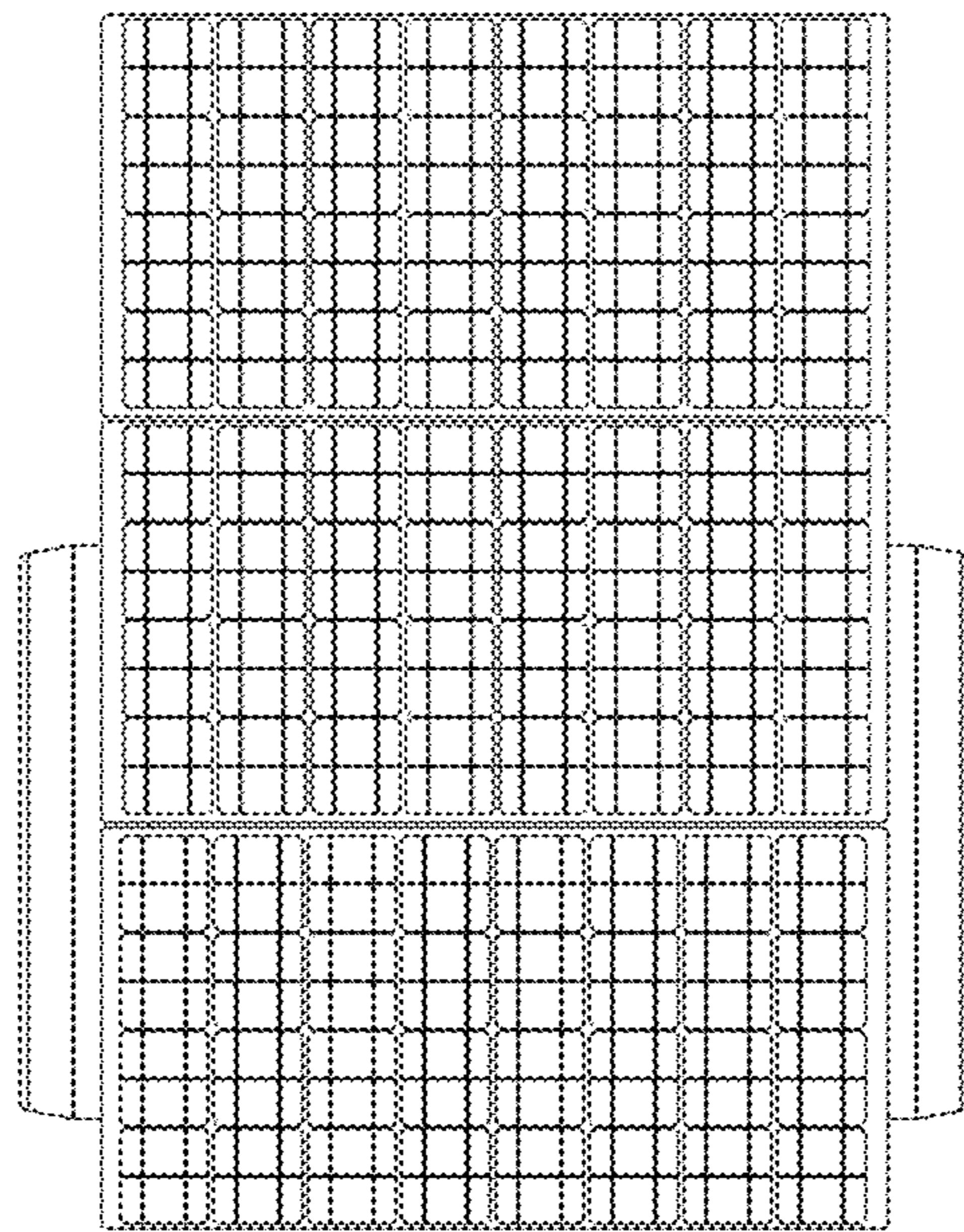


FIG. 4

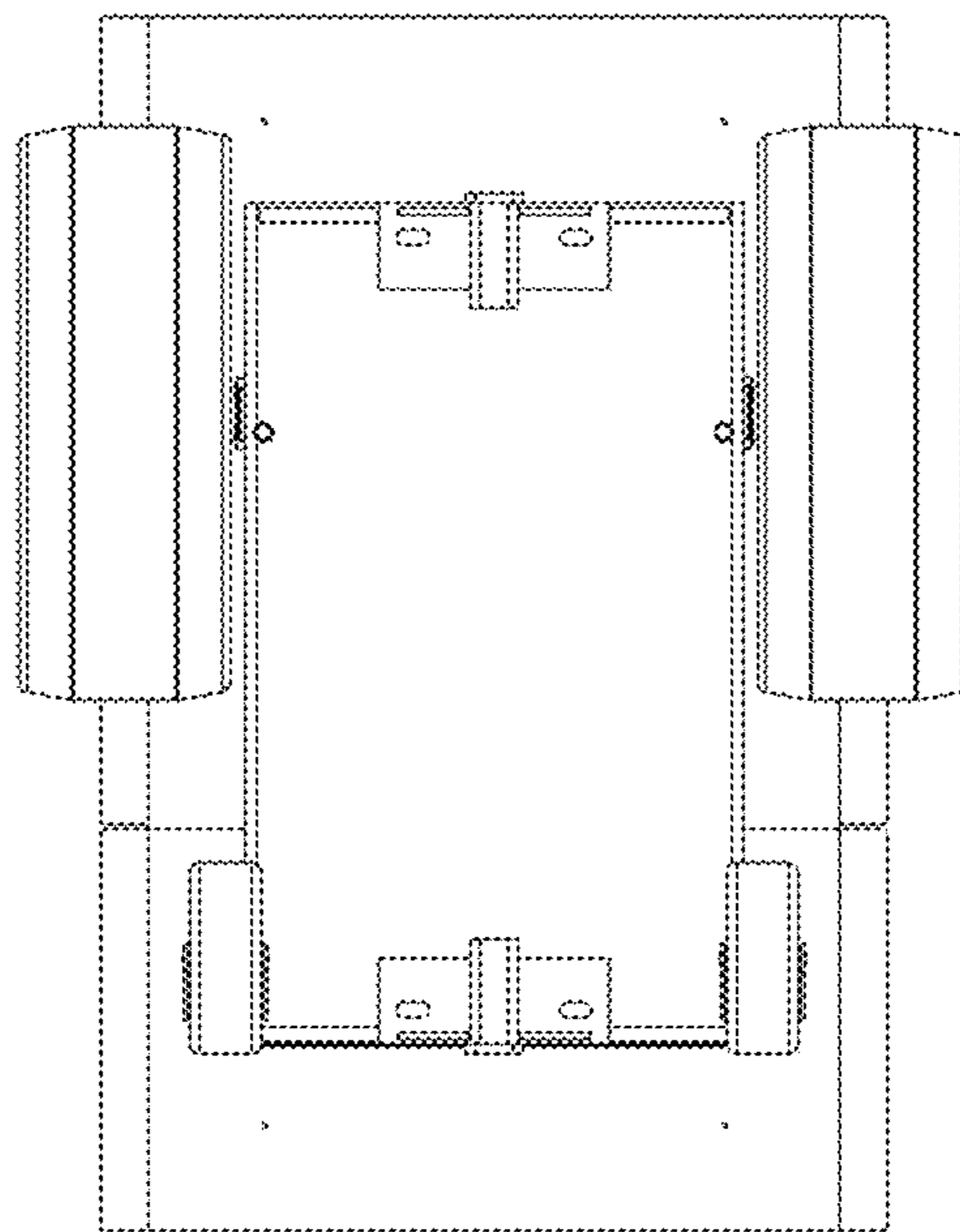


FIG. 5

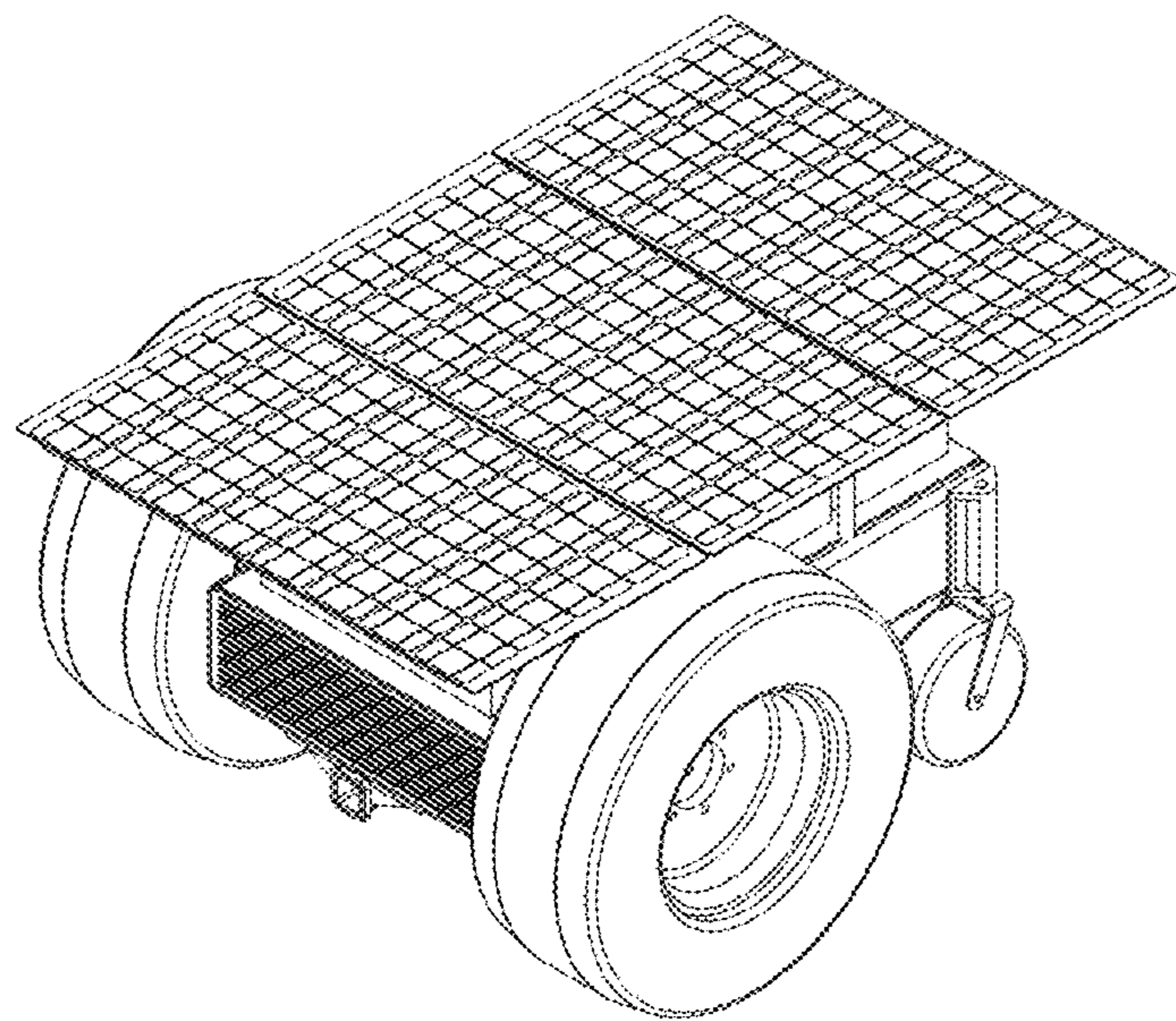


FIG. 6

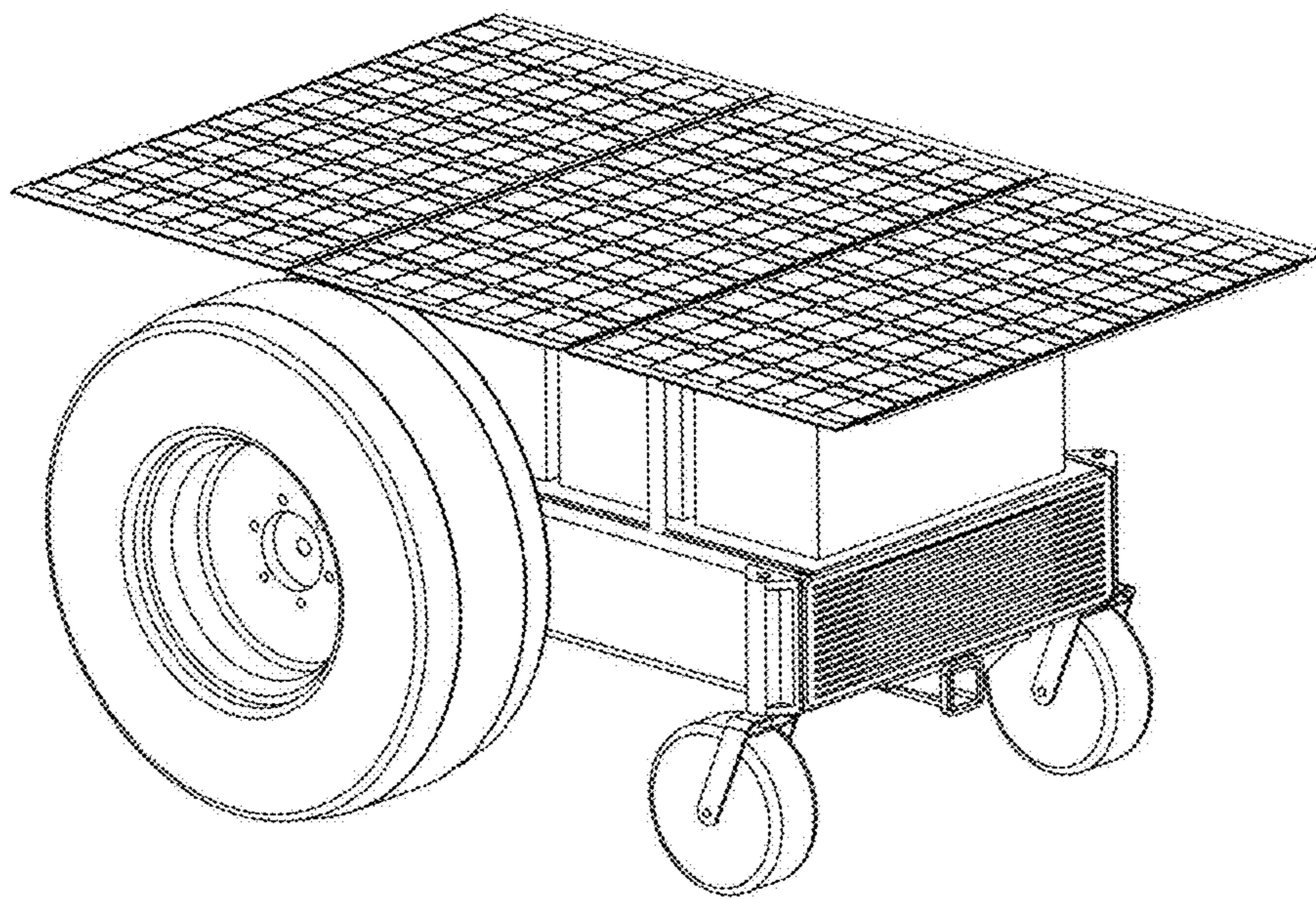


FIG. 7

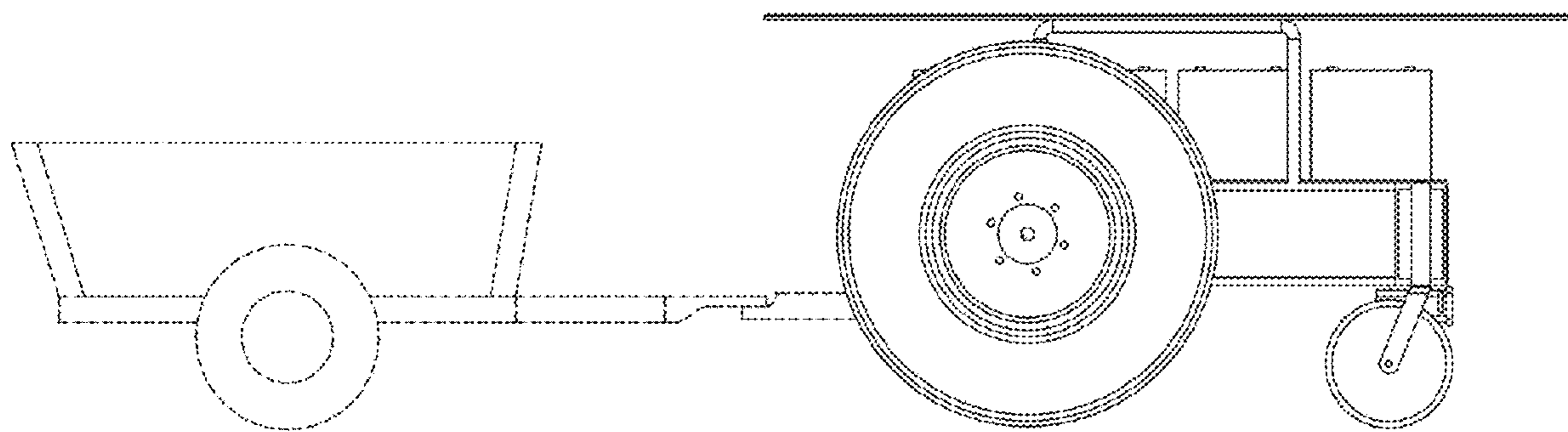


FIG. 8

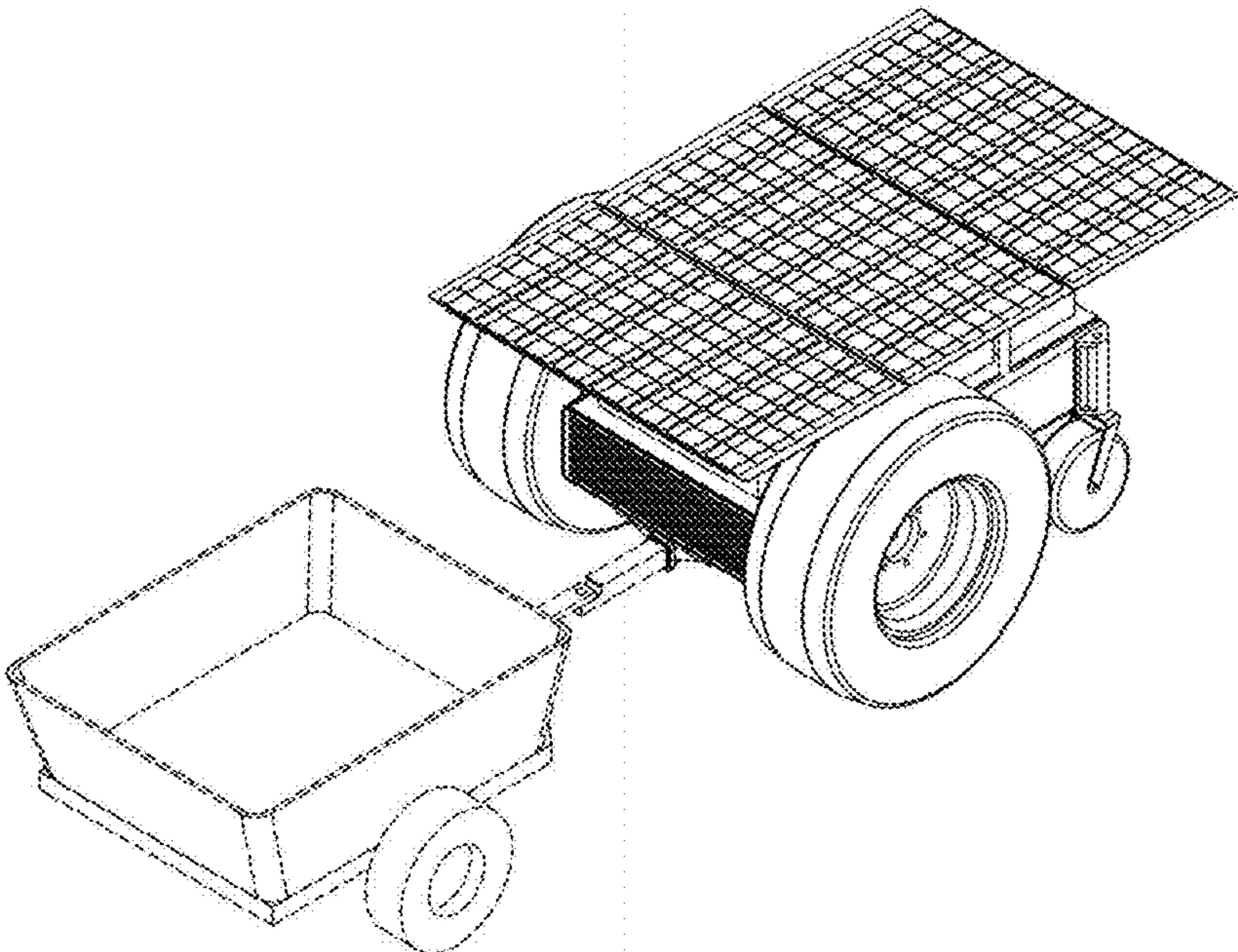


FIG. 9