



US00D918975S

(12) **United States Design Patent** (10) **Patent No.:** **US D918,975 S**
Bublitz et al. (45) **Date of Patent:** **** May 11, 2021**

(54) **SOLDERING IRON HOLDER**
(71) Applicant: **Apex Brands, Inc.**, Apex, NC (US)
(72) Inventors: **Scott Bublitz**, Denver, NC (US);
Pratik Bendale, Charlotte, NC (US);
Dawn Huston, Leesville, SC (US);
Brian Butler, Charlotte, NC (US)
(73) Assignee: **APEX BRANDS, INC.**, Apex, NC (US)
(**) Term: **15 Years**
(21) Appl. No.: **29/709,763**
(22) Filed: **Oct. 17, 2019**
(51) **LOC (13) Cl.** **15-09**
(52) **U.S. Cl.**
USPC **D15/144.2; D8/30**
(58) **Field of Classification Search**
USPC D8/29.1, 29.2, 30, 61, 107, 303;
D15/144, 144.1, 144.2
CPC B23K 3/021; B23K 3/022; B23K 3/023;
B23K 3/033; B23K 3/046; B23K 3/3023;
B23K 3/0338; B23K 3/0346
See application file for complete search history.

(56) **References Cited**
U.S. PATENT DOCUMENTS
1,491,389 A * 4/1924 Frykman B23K 3/0392
219/231
1,634,957 A * 7/1927 Muller B23K 9/282
219/140
2,099,792 A * 11/1937 Beadling B23K 3/0361
219/237
2,357,844 A * 9/1944 Nellis B23K 9/282
219/144
2,364,063 A * 12/1944 Forman B23K 9/282
219/144

2,374,421 A * 4/1945 Clyburn B23K 9/282
219/144
2,413,213 A * 12/1946 Cardinal B23K 9/282
219/144
2,428,065 A * 9/1947 Cockrill B23K 9/282
219/138
2,432,019 A * 12/1947 Koinzan B23K 9/282
219/142
2,443,592 A * 6/1948 Birch B23K 9/282
219/143

(Continued)

Primary Examiner — Patricia A Palasik
(74) *Attorney, Agent, or Firm* — Burr & Forman, LLP

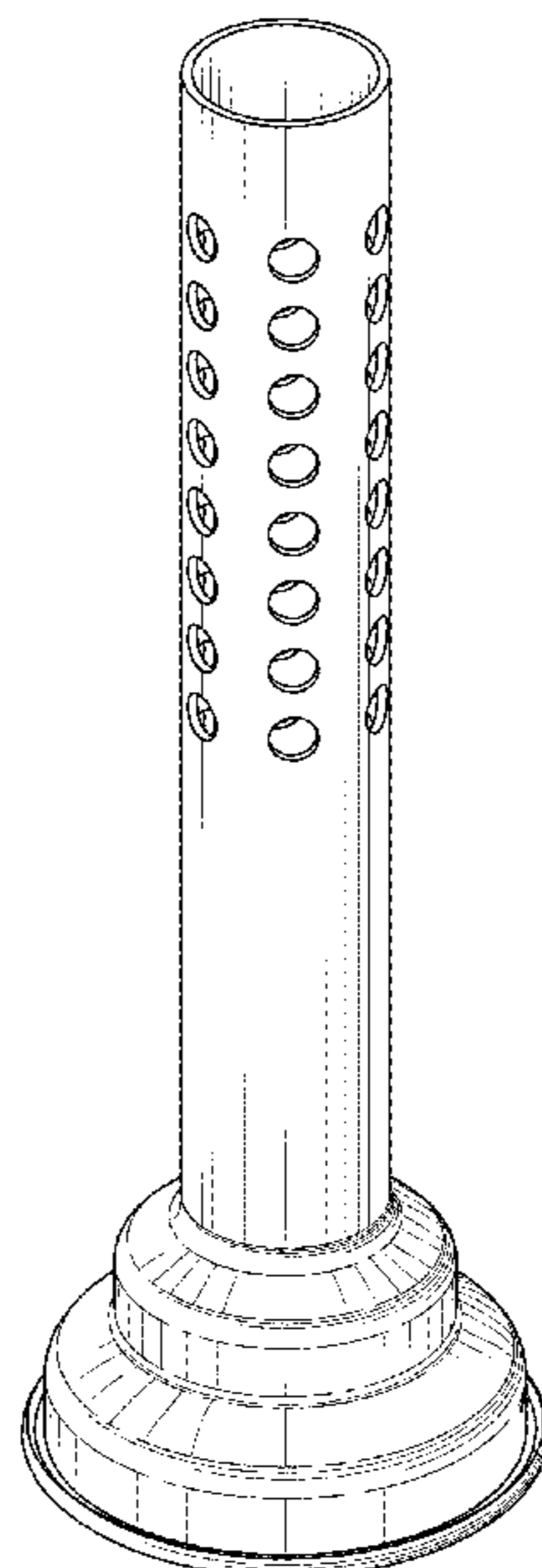
(57) **CLAIM**

The ornamental design for the soldering iron holder, as shown and described.

DESCRIPTION

FIG. 1 is a perspective view of a soldering iron holder in accordance with an embodiment of the present invention; FIG. 2 is a top view of the soldering iron holder of FIG. 1; FIG. 3 is a bottom view of the soldering iron holder of FIG. 1; FIG. 4 is a right side view of the soldering iron holder of FIG. 1; FIG. 5 is a left side view of the soldering iron holder of FIG. 1; FIG. 6 is a front view of the soldering iron holder of FIG. 1; FIG. 7 is a rear view of the soldering iron holder of FIG. 1; and, FIG. 8 is a side view of the soldering iron holder of FIG. 1 employed in a stand for holding the soldering iron holder. The broken lines of the soldering iron holder in FIGS. 1-8 are illustrative of an environmental context in which the soldering iron holder may be employed and form no part of the claimed design.

1 Claim, 5 Drawing Sheets



(56)

References Cited

U.S. PATENT DOCUMENTS

3,392,897 A * 7/1968 Siegel B23K 1/018
228/20.5
4,441,014 A * 4/1984 Hong B23K 3/033
200/225
D285,283 S * 8/1986 Cheng D8/30
D305,295 S * 1/1990 Momany D8/61
D305,607 S * 1/1990 Andrews D8/61
D305,720 S * 1/1990 Leech D8/30
D317,704 S * 6/1991 Zaborowski D8/30
5,928,536 A * 7/1999 Lee B23K 3/033
219/229
D474,086 S * 5/2003 Heun D8/61
D745,965 S * 12/2015 Anderson D24/133
9,314,863 B2 * 4/2016 Teraoka B23K 3/033
D777,541 S * 1/2017 White D8/30
D847,235 S * 4/2019 Gou D15/144
D905,521 S * 12/2020 Ding D8/30
2011/0168762 A1 * 7/2011 Chang B23K 3/025
228/41
2017/0368627 A1 * 12/2017 Shigekawa B23K 3/0338

* cited by examiner

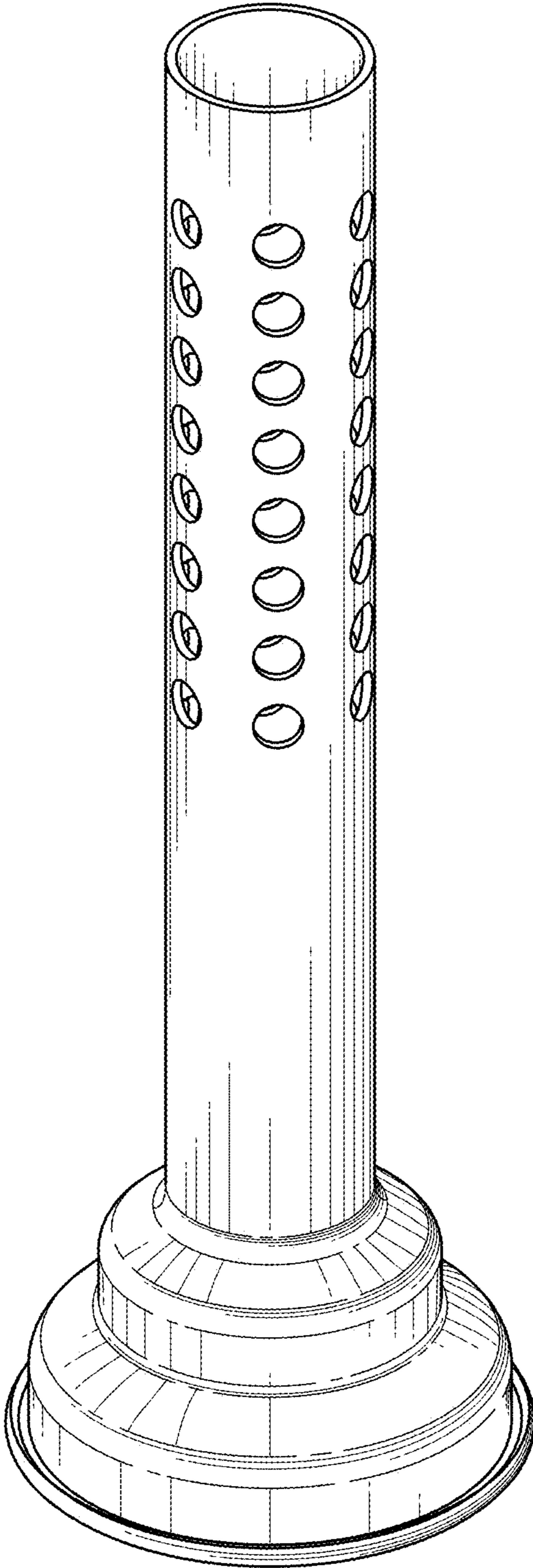


FIG. 1

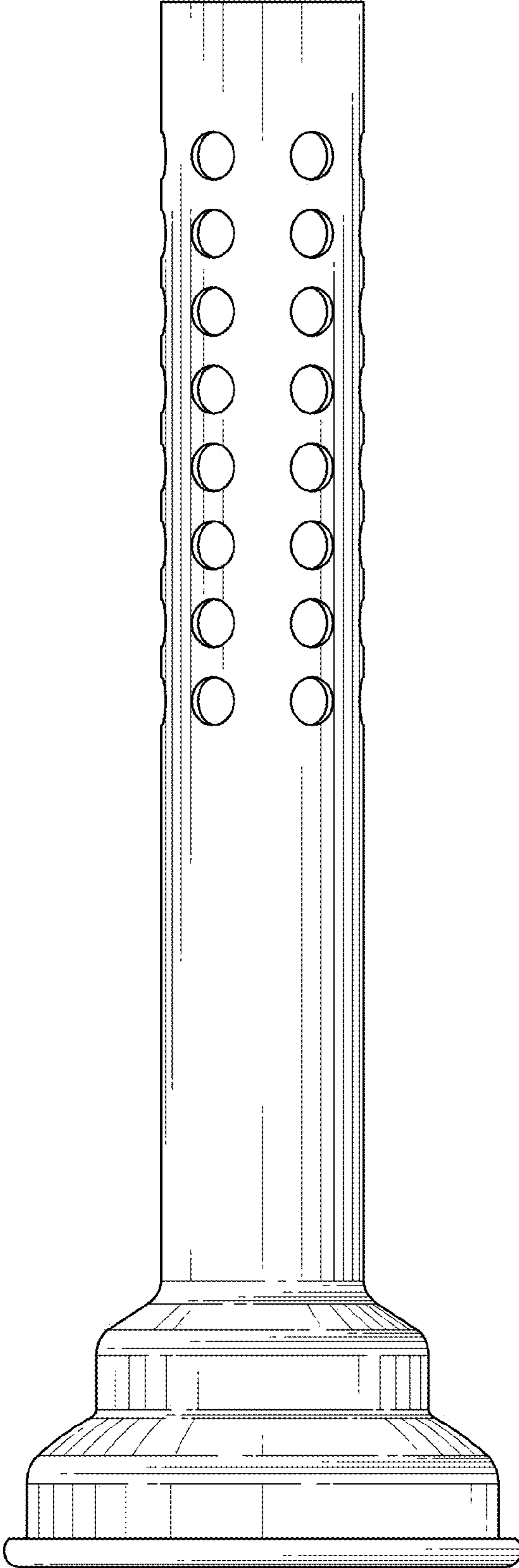


FIG. 2

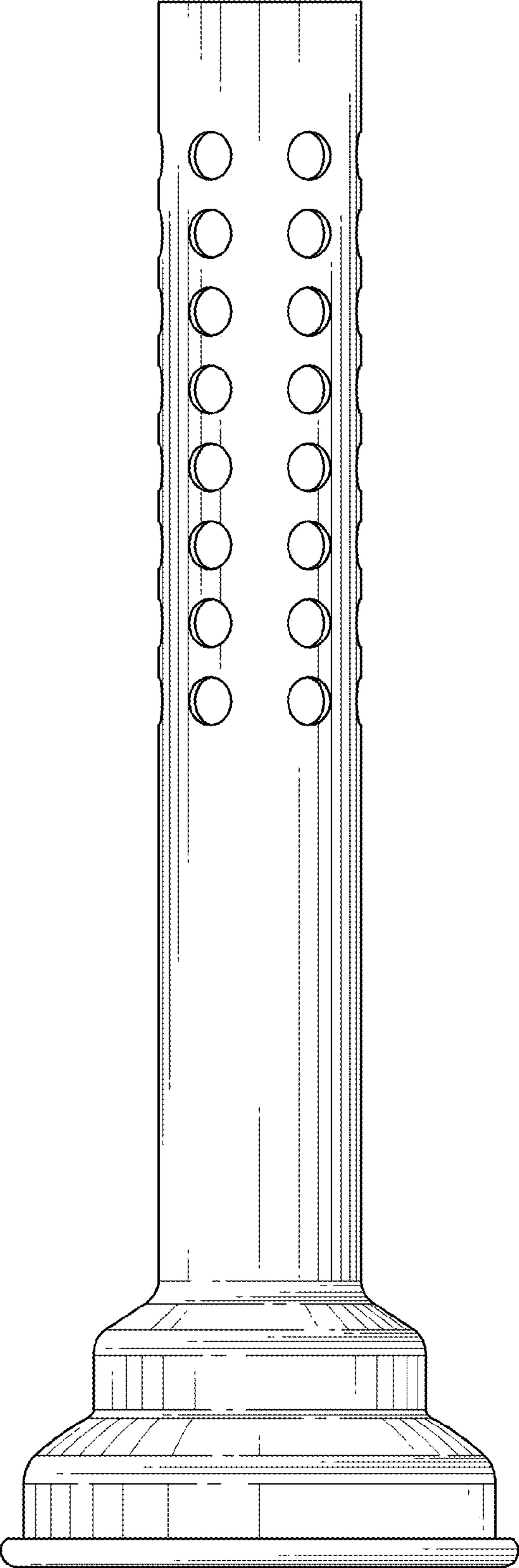


FIG. 3

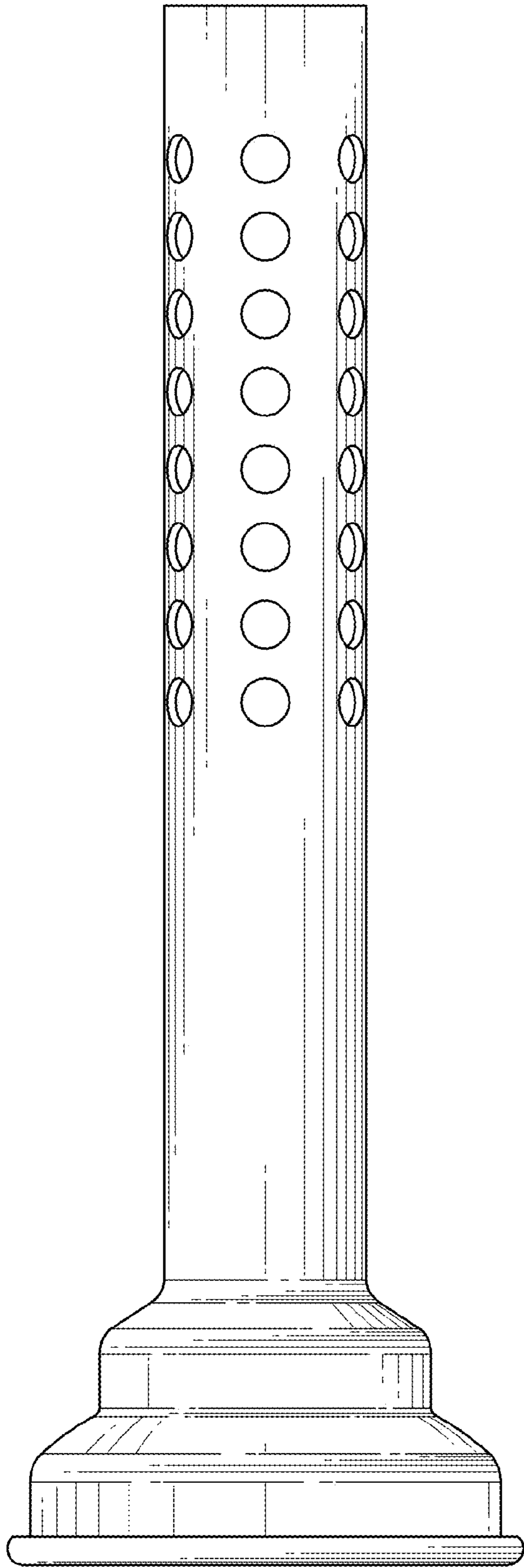


FIG. 4

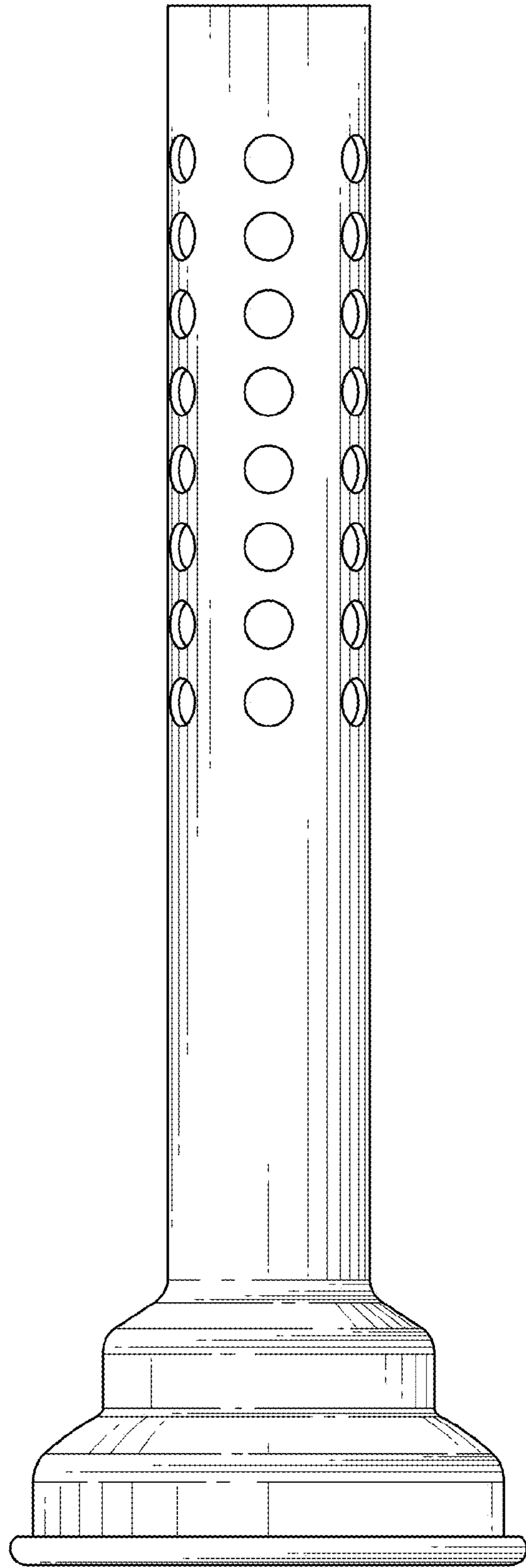


FIG. 5

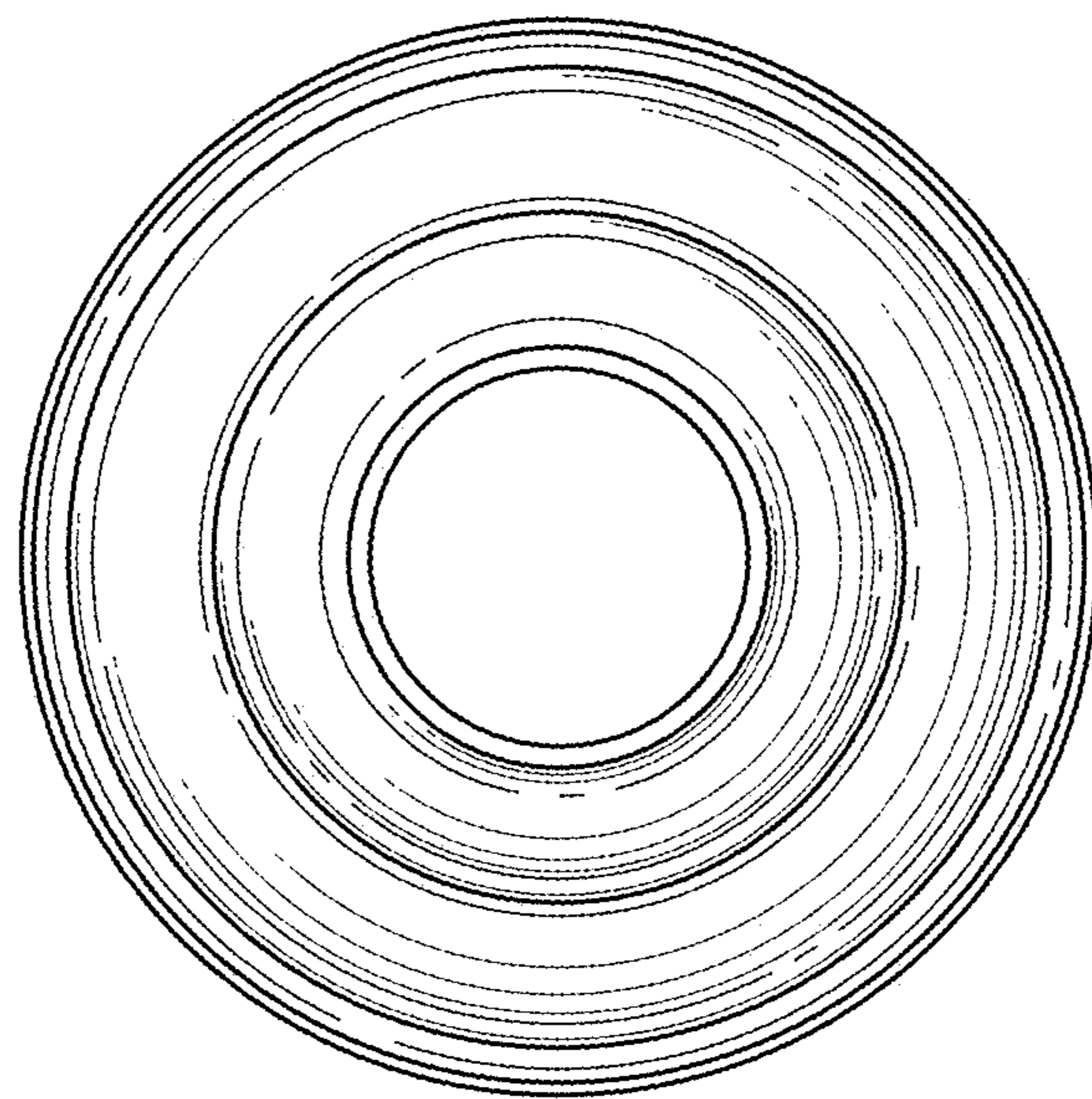


FIG. 6

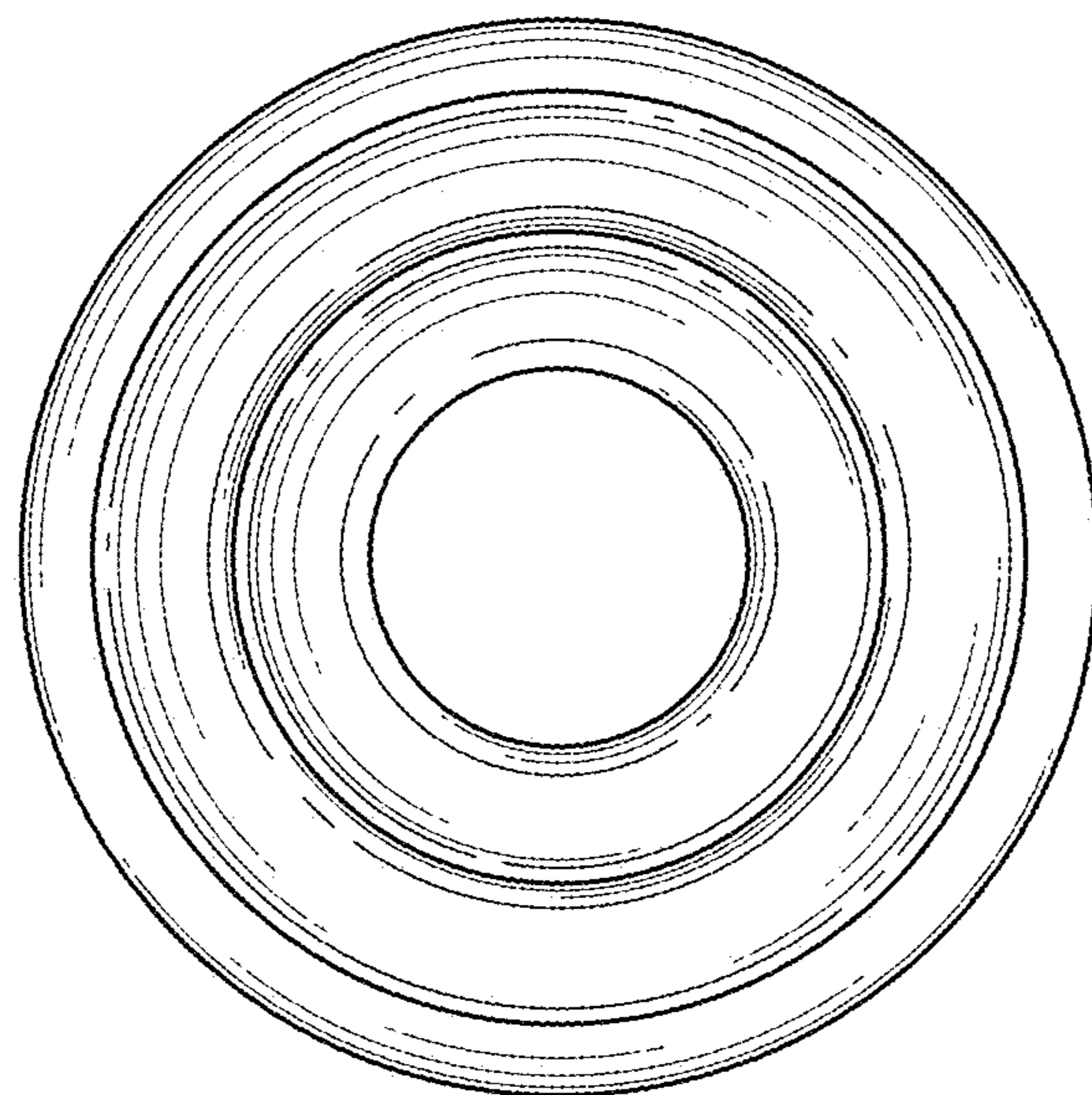


FIG. 7

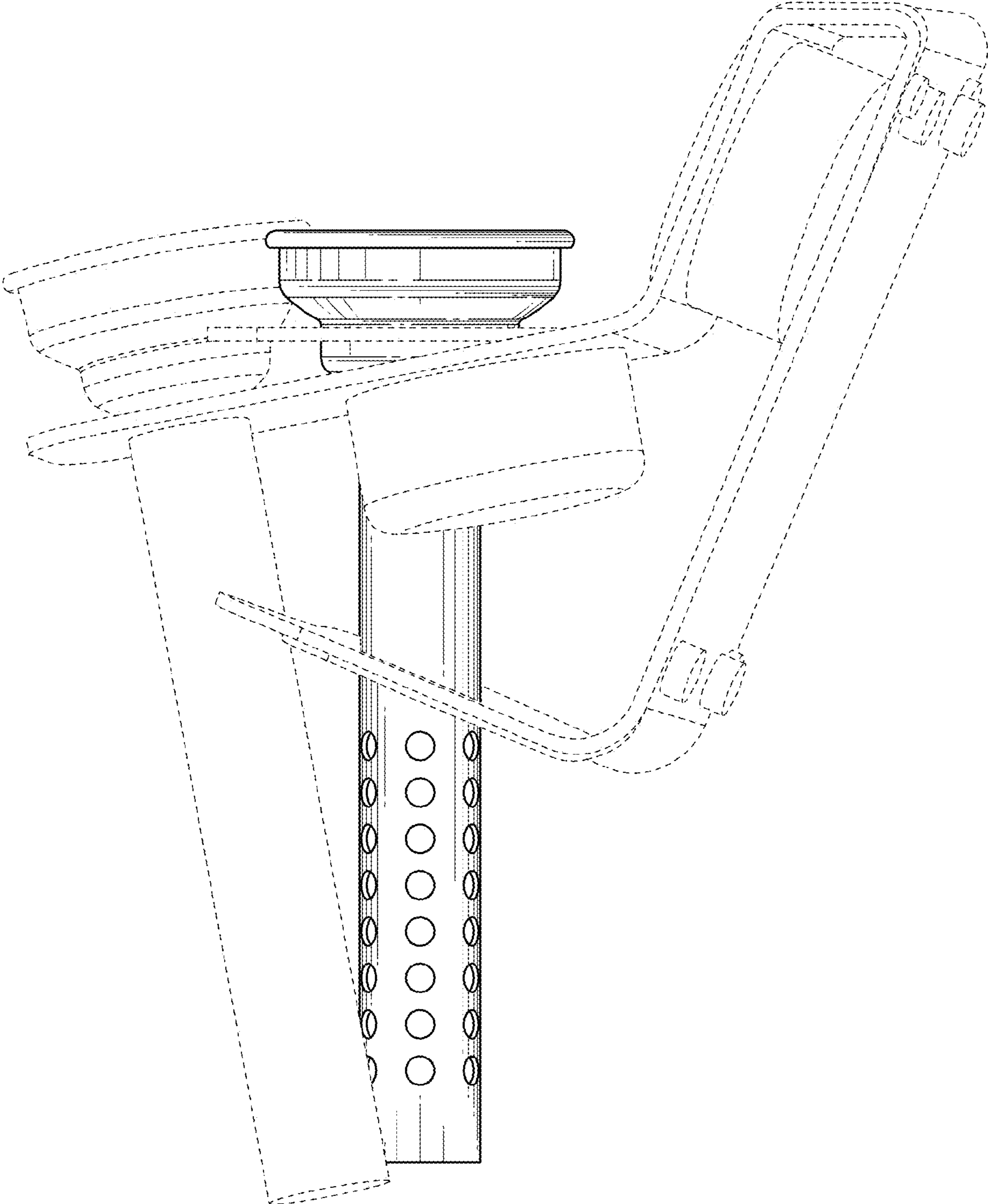


FIG. 8