



US00D918973S

(12) **United States Design Patent** (10) **Patent No.:** **US D918,973 S**
Friederichs (45) **Date of Patent:** **** May 11, 2021**

(54) **MILLING TOOL**
(71) Applicant: **Betek GmbH & Co. KG**, Aichhalden (DE)
(72) Inventor: **Heiko Friederichs**, Aichhalden (DE)
(73) Assignee: **Betek GmbH & Co. KG**
(**) Term: **15 Years**
(21) Appl. No.: **35/507,158**
(22) Filed: **Nov. 5, 2018**
(80) **Hague Agreement Data**
Int. Filing Date: **Nov. 5, 2018**
Int. Reg. No.: **DM/202087**
Int. Reg. Date: **Nov. 5, 2018**
Int. Reg. Pub. Date: **Aug. 2, 2019**

(30) **Foreign Application Priority Data**
Aug. 1, 2018 (EM) 005519436
(51) **LOC (13) Cl.** **15-09**
(52) **U.S. Cl.**
USPC **D15/131**
CPC **E21C 35/18** (2013.01)
(58) **Field of Classification Search**
USPC D8/70-74; D15/131, 132, 138, 139, 140
CPC E21C 35/18; E21C 35/183; E21C 35/1826;
E21C 35/19; E28D 1/186
See application file for complete search history.

(56) **References Cited**
U.S. PATENT DOCUMENTS
4,547,020 A * 10/1985 Ojanen E21C 35/183
299/111
4,818,027 A 4/1989 Simon
5,683,144 A 11/1997 Kammerer et al.
6,199,956 B1 3/2001 Kammerer
6,378,952 B1 4/2002 Moosmann et al.

6,428,111 B1 8/2002 Kammerer
6,431,656 B1 8/2002 Kammerer
6,508,516 B1 1/2003 Kammerer
6,592,304 B1 7/2003 Kammerer
6,619,757 B1 9/2003 Kammerer
6,644,755 B1 11/2003 Kammerer
D520,035 S 5/2006 Kammerer
D572,735 S 7/2008 Kammerer
7,490,912 B2 2/2009 Holl
D627,808 S 11/2010 Kammerer
D627,809 S 11/2010 Kammerer
D636,797 S 4/2011 Kammerer
7,922,256 B2 4/2011 Kammerer et al.
7,922,257 B2 4/2011 Kammerer
D637,213 S 5/2011 Kammerer
8,267,483 B2 9/2012 Kammerer et al.
8,550,569 B2 10/2013 Woehrstein et al.
9,074,472 B2 7/2015 Lehnert et al.
D742,948 S * 11/2015 Kenno D15/139
D742,949 S * 11/2015 Kenno D15/139
D746,884 S * 1/2016 Heilmeyer D15/139
9,234,424 B1 1/2016 Lehnert et al.

(Continued)

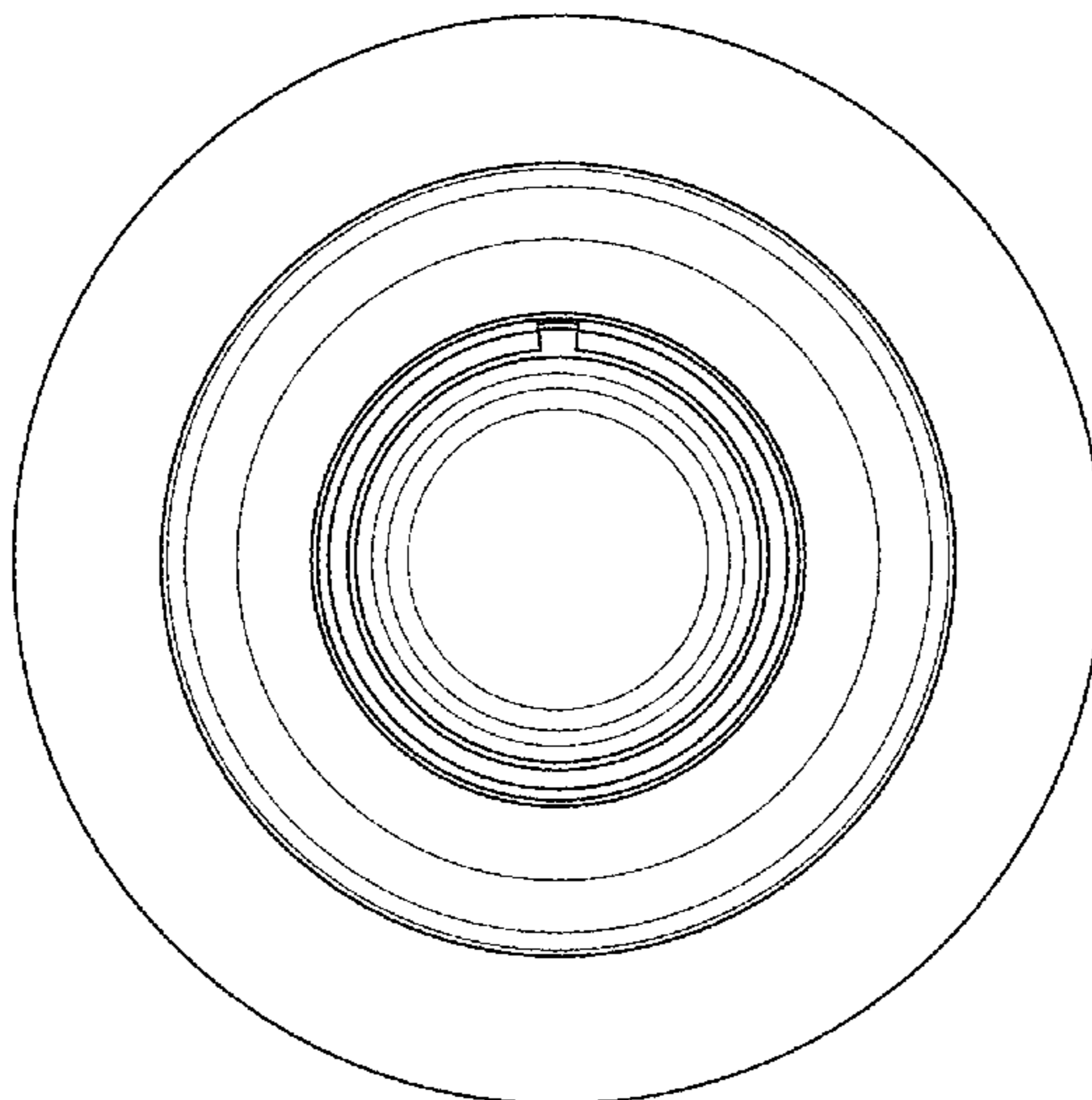
Primary Examiner — Richard E Chilcot
(74) *Attorney, Agent, or Firm* — Lucian Wayne Beavers;
Patterson Intellectual Property Law, PC

(57) **CLAIM**
The ornamental design for milling tool, as shown and described.

DESCRIPTION

Fig. 1.1 bottom view of the milling tool.
Fig. 1.2 is right side elevation view of the milling tool of Fig. 1.1.
Fig. 1.3 is a front elevation view of the milling tool of Fig. 1.1.
Fig. 1.4 is a left side view of the milling tool of Fig. 1.1.
Fig. 1.5 is a rear elevation view of the milling tool of Fig. 1.1.
Fig. 1.6 is top view of the milling tool of Fig. 1.1.
Fig. 1.7 is left front perspective view of the milling tool of Fig. 1.1.

1 Claim, 7 Drawing Sheets



(56)

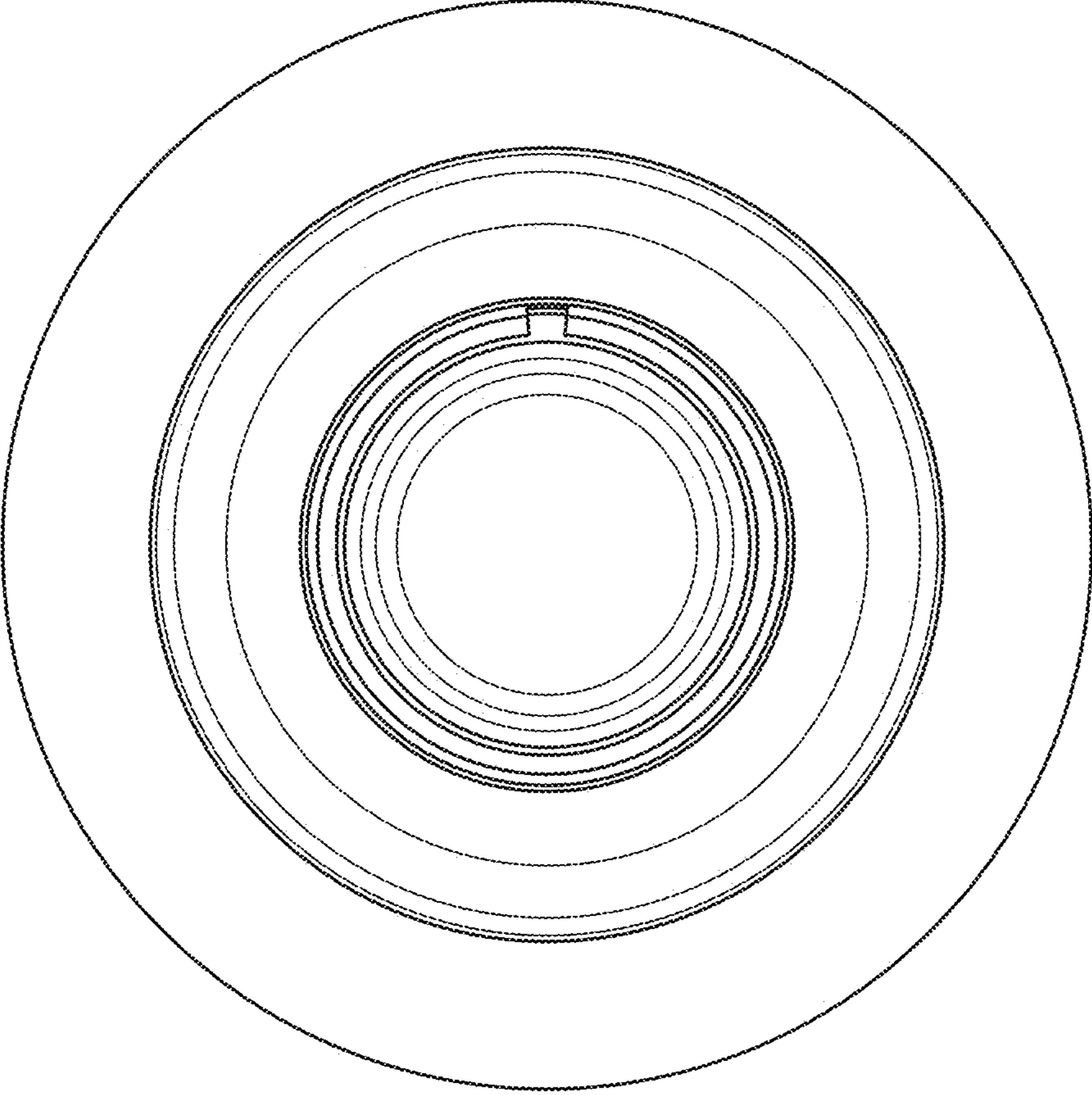
References Cited

U.S. PATENT DOCUMENTS

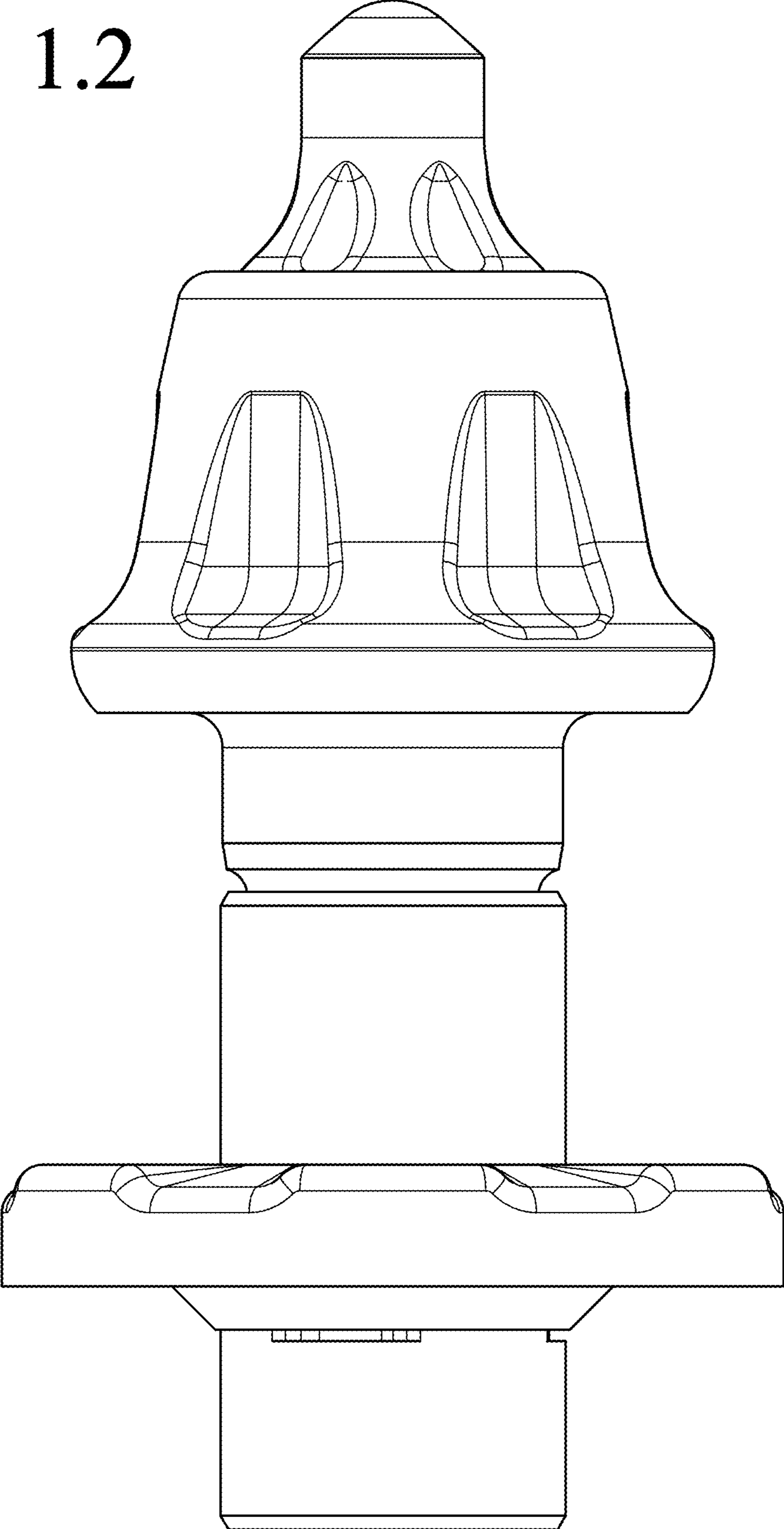
D772,315 S * 11/2016 Friederichs D15/139
D808,449 S * 1/2018 Buhr D15/139
10,046,479 B2 8/2018 Lehnert et al.
D841,063 S 2/2019 Friederichs
10,227,870 B2 3/2019 Lehnert et al.
10,260,341 B2 4/2019 Kammerer et al.
10,385,690 B2 8/2019 Roth
10,415,385 B2 9/2019 Kraemer et al.
10,662,770 B2 5/2020 Kammerer et al.
2008/0223744 A1 * 9/2008 Tewes E21C 35/18
206/349
2010/0295360 A1 * 11/2010 Kramer E21C 35/197
299/110
2011/0204702 A1 * 8/2011 Lehnert E21C 35/183
299/105
2012/0080930 A1 * 4/2012 Latham B28D 1/188
299/104
2013/0307318 A1 * 11/2013 Kammerer E21C 35/19
299/104
2014/0191563 A1 * 7/2014 Elfgen E21C 35/19
299/104
2015/0091365 A1 * 4/2015 Laux E21C 35/183
299/104
2015/0252670 A1 * 9/2015 Wachsmann E21C 35/197
299/10
2016/0229084 A1 * 8/2016 Lehnert B28D 1/186
2016/0230551 A1 * 8/2016 Lehnert B28D 1/186
2017/0074098 A1 * 3/2017 Roth E21C 35/183

* cited by examiner

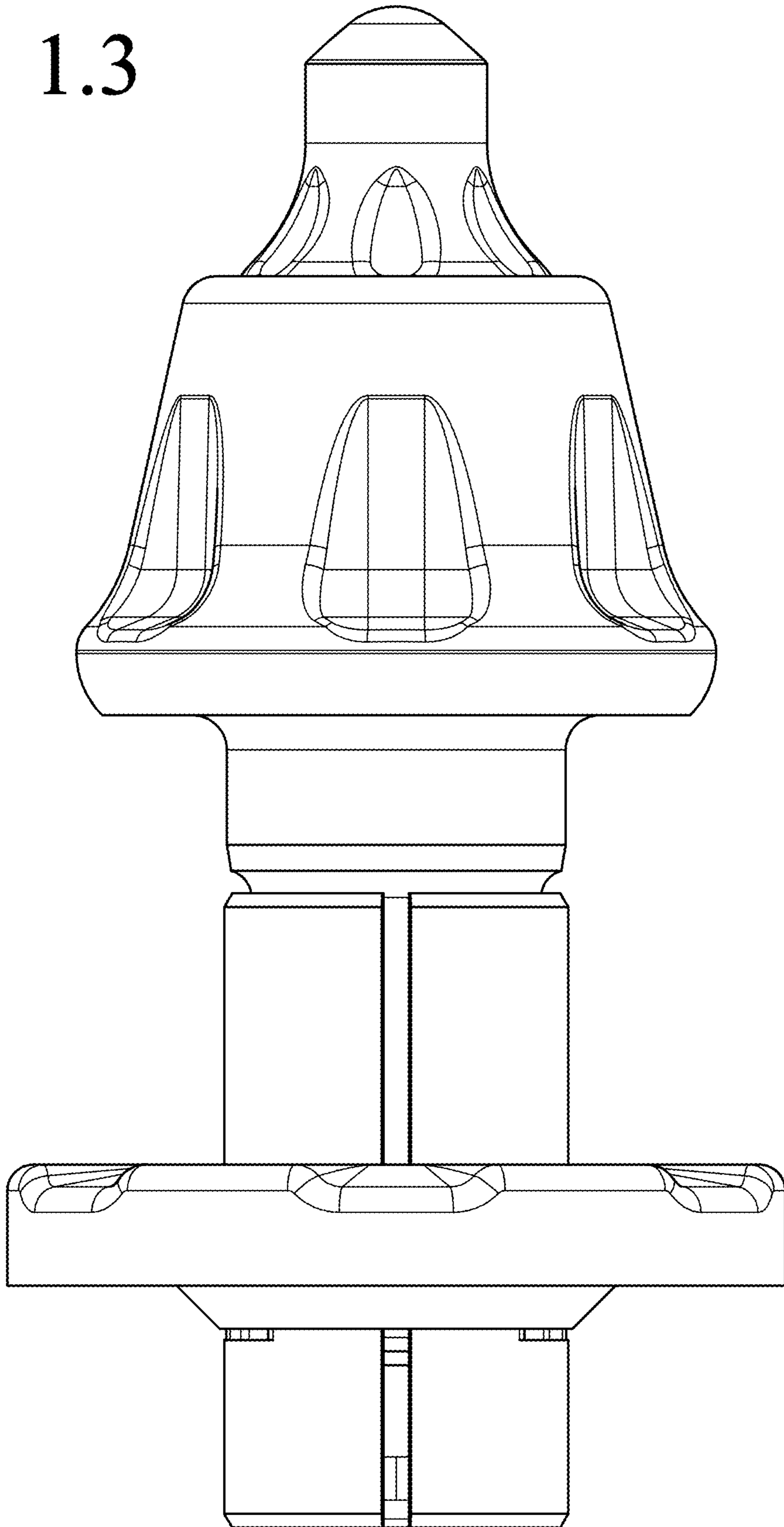
1.1



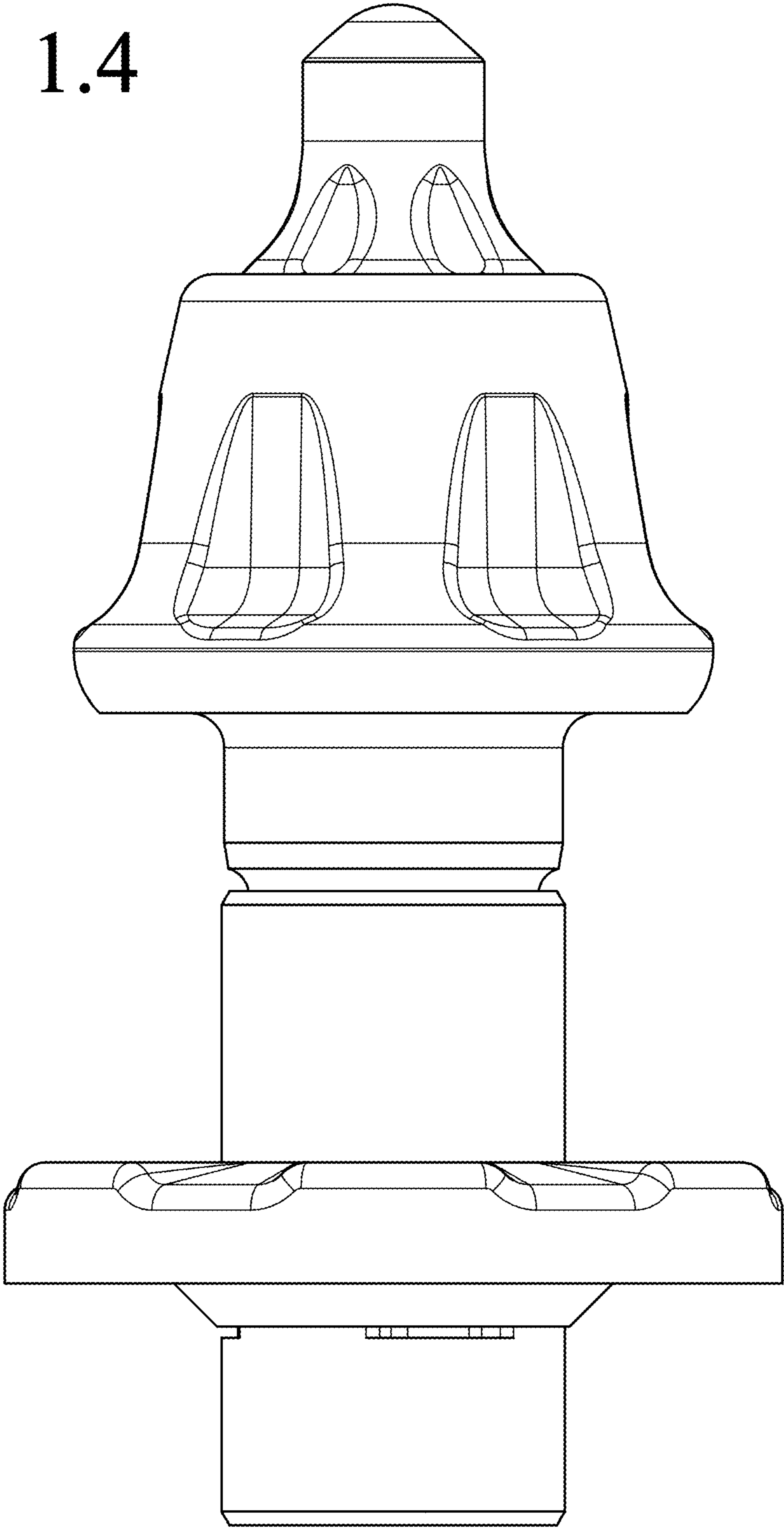
1.2



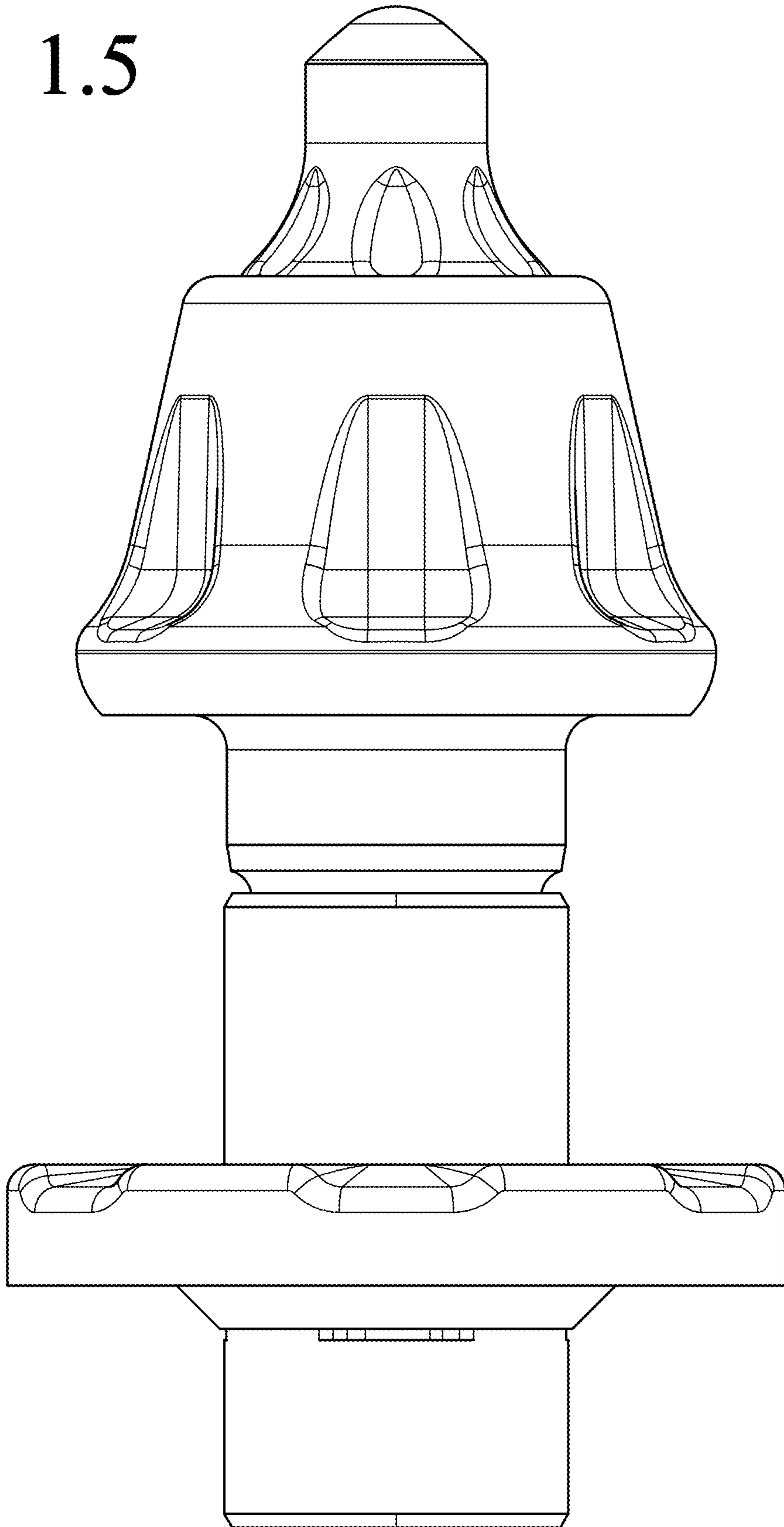
1.3



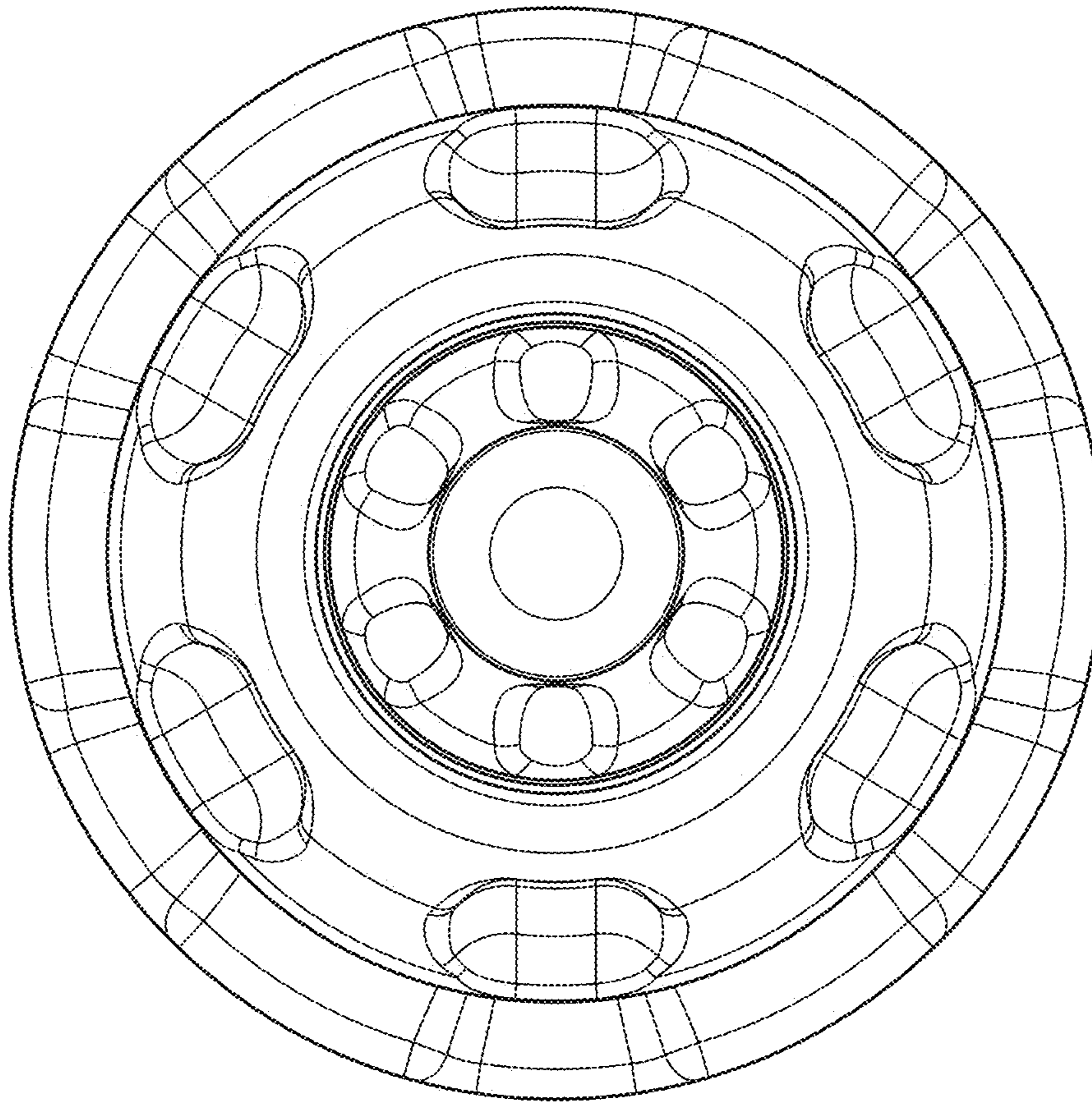
1.4



1.5



1.6



1.7

