



US00D918972S

(12) **United States Design Patent**
Chann et al.

(10) **Patent No.:** **US D918,972 S**
(45) **Date of Patent:** **** May 11, 2021**

- (54) **LASER RESONATOR**
- (71) Applicant: **PANASONIC INTELLECTUAL PROPERTY MANAGEMENT CO., LTD**, Osaka (JP)
- (72) Inventors: **Bien Chann**, Merrimack, NH (US); **Bryan Lochman**, Somerville, MA (US); **Matthew Sauter**, Boston, MA (US)
- (73) Assignee: **PANASONIC INTELLECTUAL PROPERTY MANAGEMENT CO. LTD**, Osaka (JP)
- (**) Term: **15 Years**
- (21) Appl. No.: **29/658,597**
- (22) Filed: **Aug. 1, 2018**
- (51) **LOC (13) Cl.** **15-09**
- (52) **U.S. Cl.**
USPC **D15/127**
- (58) **Field of Classification Search**
USPC D15/122, 127, 199
CPC H01S 3/025; Y10T 156/10
See application file for complete search history.

- (56) **References Cited**
U.S. PATENT DOCUMENTS
- 5,610,692 A * 3/1997 Trask G03G 15/0126
399/262
- 5,659,459 A * 8/1997 Wakabayashi B41J 29/377
174/51
- D647,929 S * 11/2011 Mesropyan D15/199
- 2006/0243238 A1* 11/2006 Anezaki F02D 35/022
123/143 B
- 2009/0274176 A1* 11/2009 O'Shaughnessy ... G01N 21/255
372/9

- 2009/0284913 A1* 11/2009 Wakabayashi H04L 65/607
361/679.54
- 2009/0285256 A1* 11/2009 Adamkiewicz H01S 3/025
372/107
- 2010/0195679 A1* 8/2010 Kroupa H01S 3/0941
372/10
- 2010/0270273 A1* 10/2010 Sekiya B23K 26/0853
219/121.6
- 2014/0041612 A1* 2/2014 Furutani F02P 23/04
123/143 B
- 2014/0200636 A1* 7/2014 Reichert A61N 5/0616
607/89
- 2016/0028210 A1* 1/2016 O'Shaughnessy H01S 3/2383
372/34
- 2016/0094009 A1* 3/2016 Izumiya H01S 3/1611
123/143 B
- 2017/0250516 A1* 8/2017 Kiyosawa H01S 3/094
- 2018/0348453 A1* 12/2018 Lee G02B 6/421

* cited by examiner

Primary Examiner — Patricia A Palasik
(74) *Attorney, Agent, or Firm* — Morgan, Lewis & Bockius LLP

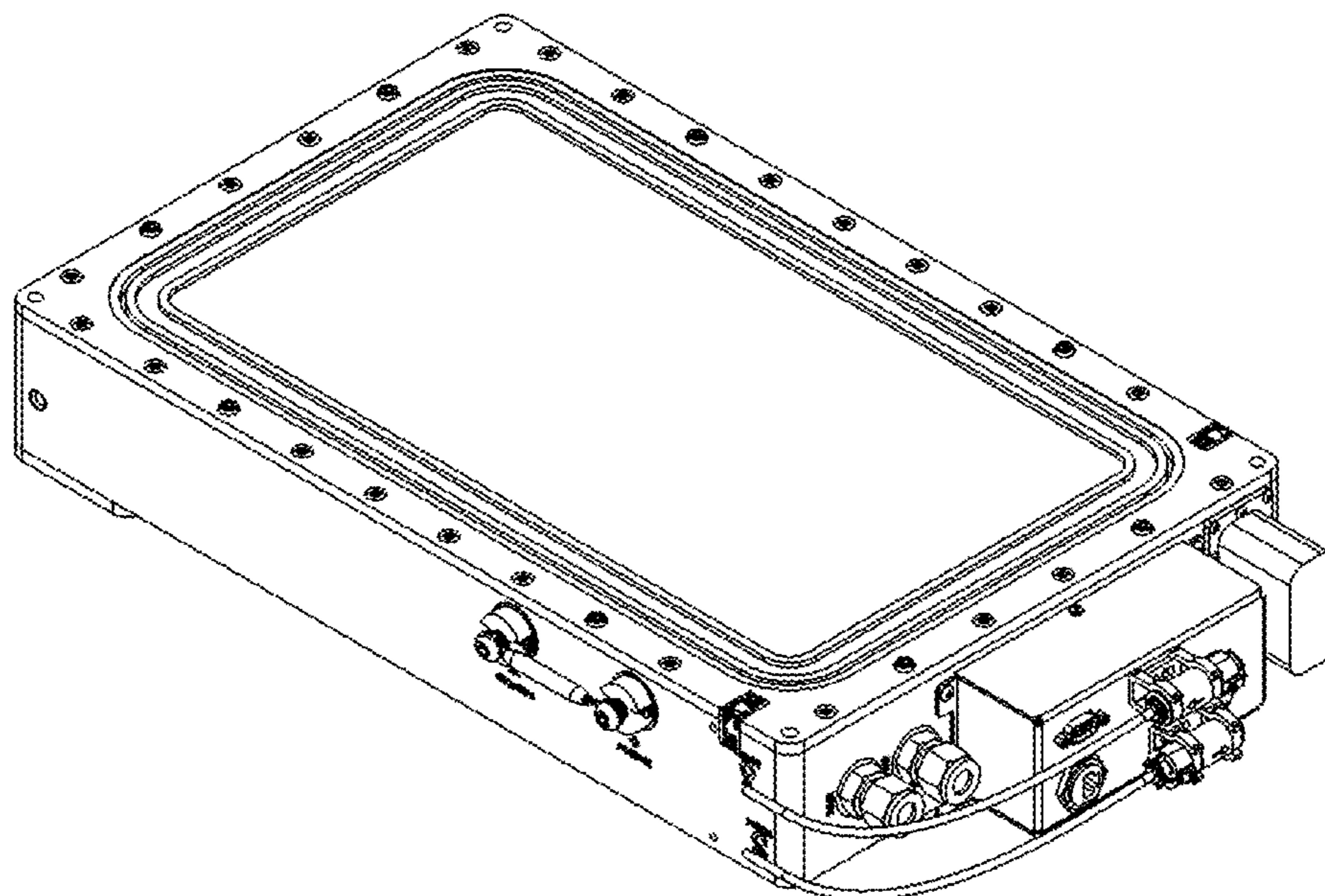
(57) **CLAIM**

The ornamental design for a laser resonator, substantially as shown and described.

DESCRIPTION

FIG. 1 is a perspective view of a laser resonator incorporating the design;
FIG. 2 is a front view thereof;
FIG. 3 is a back view thereof;
FIG. 4 is a left-side elevation view thereof;
FIG. 5 is a right-side elevation view thereof;
FIG. 6 is a top view thereof; and,
FIG. 7 is a bottom view thereof.
The broken lines in the drawings depict portions of the laser resonator that form no part of the claimed design.

1 Claim, 7 Drawing Sheets



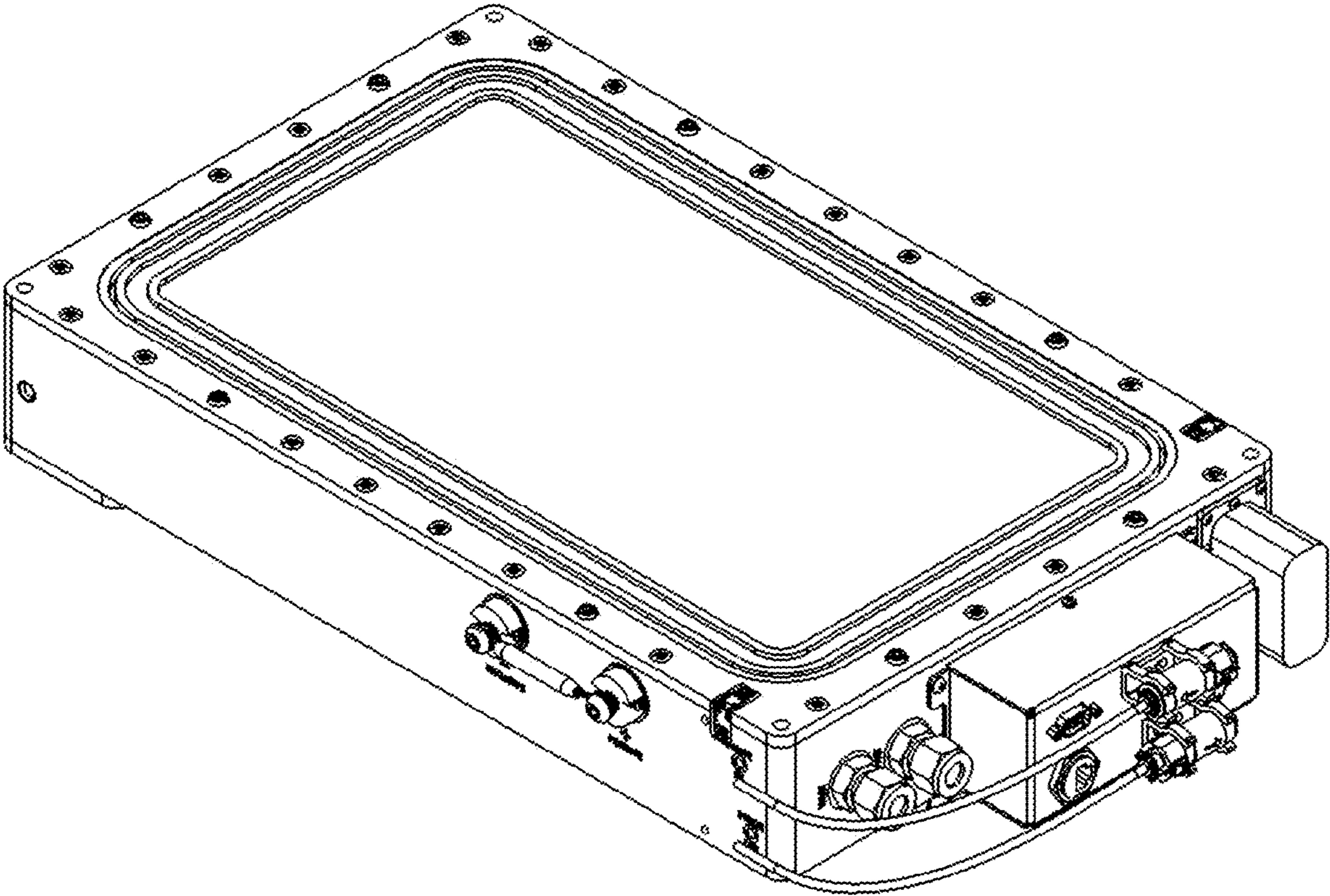


FIG. 1

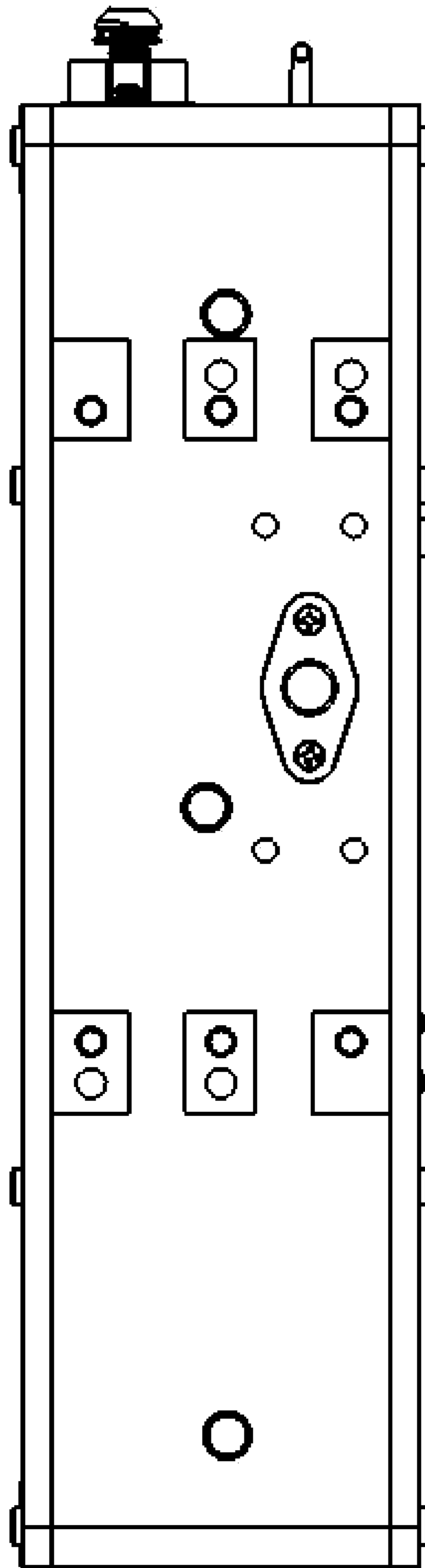


FIG. 2

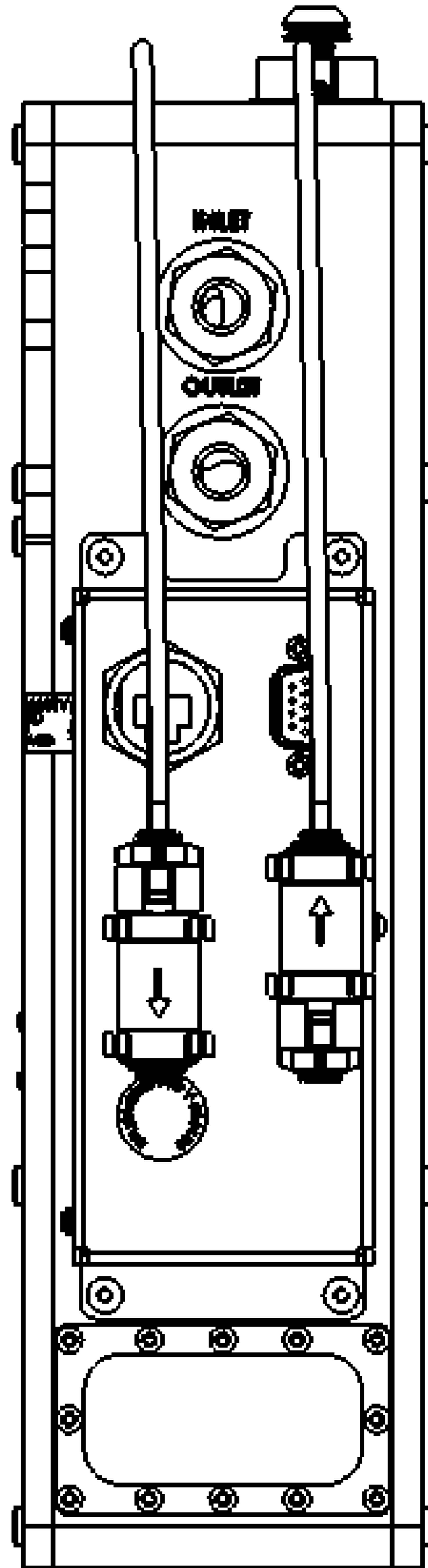


FIG. 3

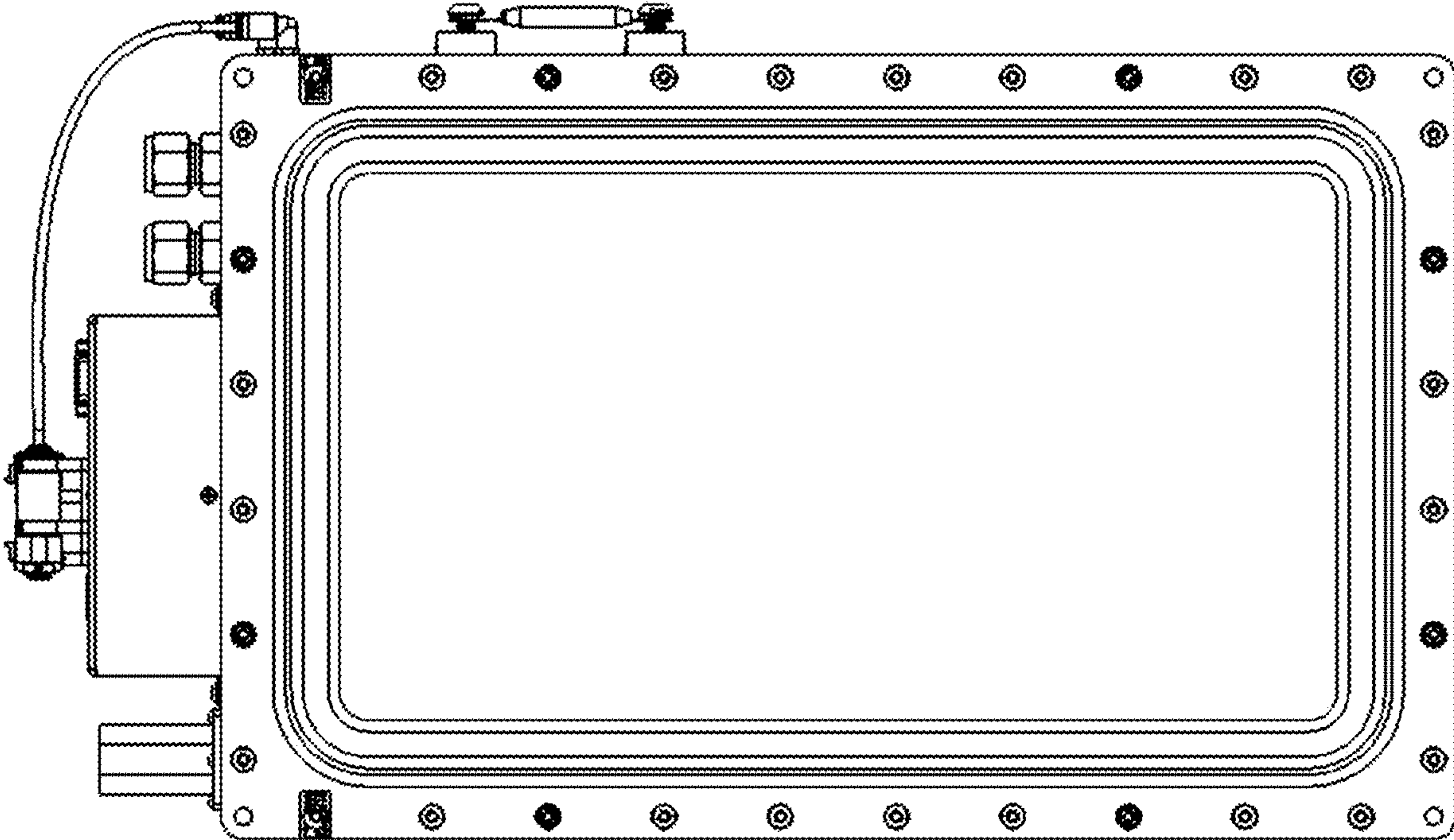


FIG. 4

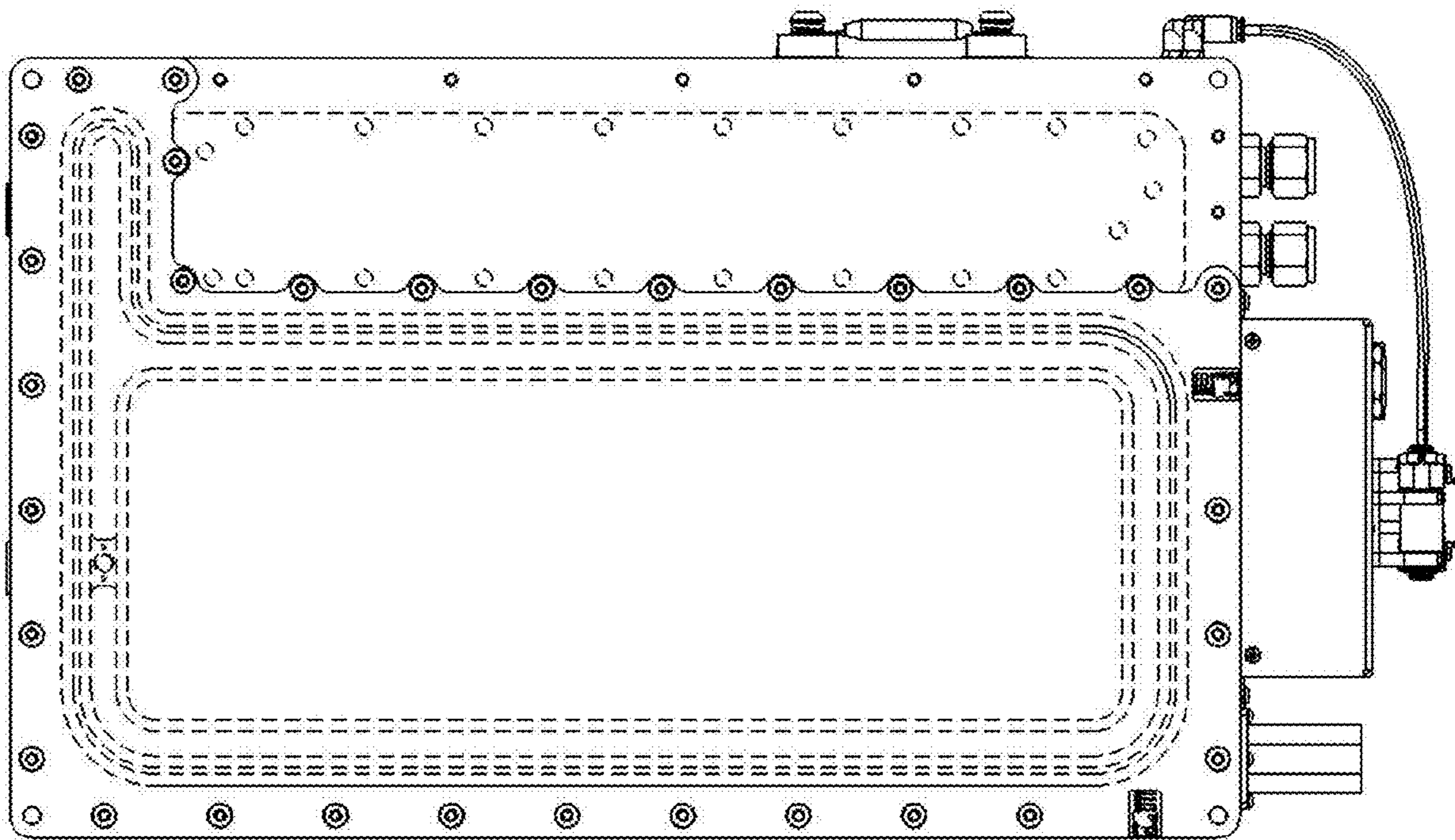


FIG. 5

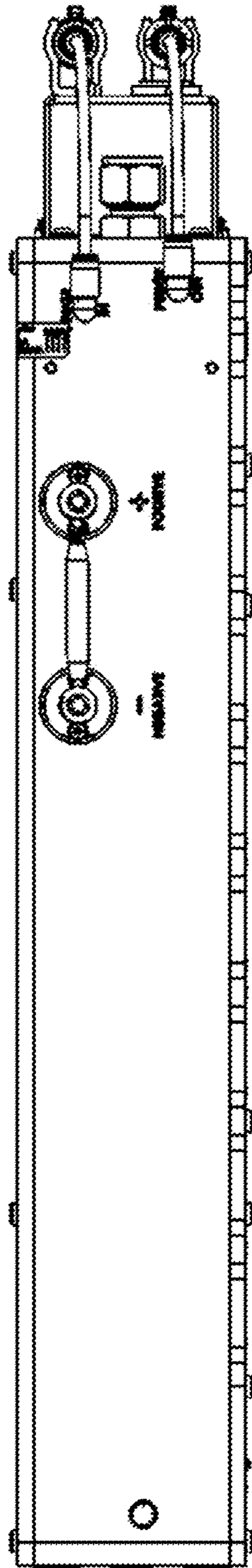


FIG. 6

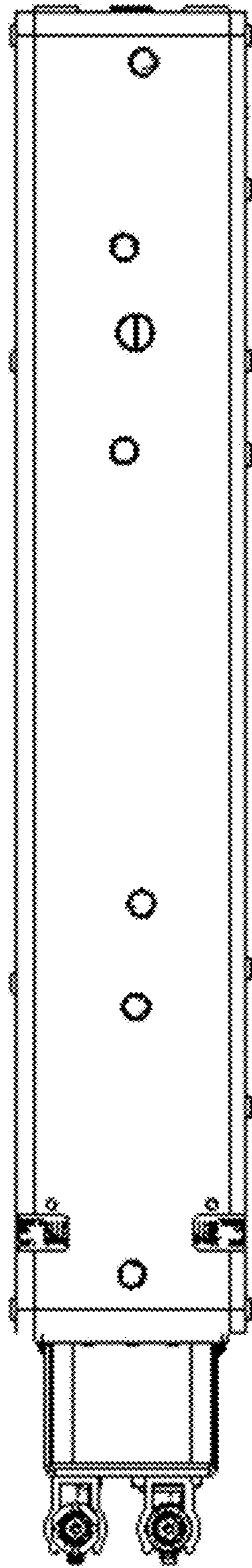


FIG. 7