



US00D918970S

(12) **United States Design Patent** (10) **Patent No.:** **US D918,970 S**
Zhai (45) **Date of Patent:** **** May 11, 2021**

(54) **ICE CUBE TRAY**
(71) Applicant: **DONGGUAN SUTUO INDUSTRIAL CO., LTD.**, Dongguan (CN)
(72) Inventor: **Zhonghua Zhai**, Changchun (CN)
(73) Assignee: **DONGGUAN SUTUO INDUSTRIAL CO., LTD.**, Dongguan (CN)
(**) Term: **15 Years**

(21) Appl. No.: **29/753,155**
(22) Filed: **Sep. 30, 2020**
(51) **LOC (13) Cl.** **15-07**
(52) **U.S. Cl.**
USPC **D15/90**
(58) **Field of Classification Search**
USPC D15/79-91; D7/619.1, 603.2, 213, 305,
D7/602, 619.2, 701, 708, 600.1
CPC .. F25D 11/00; F25D 17/065; F25D 2325/022;
F25D 23/069; F25D 25/025; F25D 11/02;
F25D 17/062; F25D 21/12; F25D 21/125;
F25D 21/14; F25D 2317/061; F25D
2317/067; F25D 2323/021; F25D
2323/024; F25D 23/028; F25D 23/04;
F25D 23/066; F25D 23/085; F25D
23/087; F25D 23/126; F25D 2400/02;
F25D 2400/06; F25D 2400/361; F25D
2400/40; F25D 25/005; F25D 25/02;
F25D 2600/02; F25D 2700/02; F25D
2700/12; F25D 2700/121; F25D 2700/14;
F25D 29/00

See application file for complete search history.

(56) **References Cited**
U.S. PATENT DOCUMENTS
D346,552 S * 5/1994 Krupa D9/757
D560,695 S 1/2008 Marchionda
D651,038 S * 12/2011 Henry D7/357
D661,541 S * 6/2012 Braden D7/359
D676,470 S 2/2013 Norin et al.
D782,334 S * 3/2017 Bishop D9/757
D847,222 S * 4/2019 Todirca D15/90
D899,470 S * 10/2020 Liu D15/90
D914,067 S * 3/2021 Wu D15/90

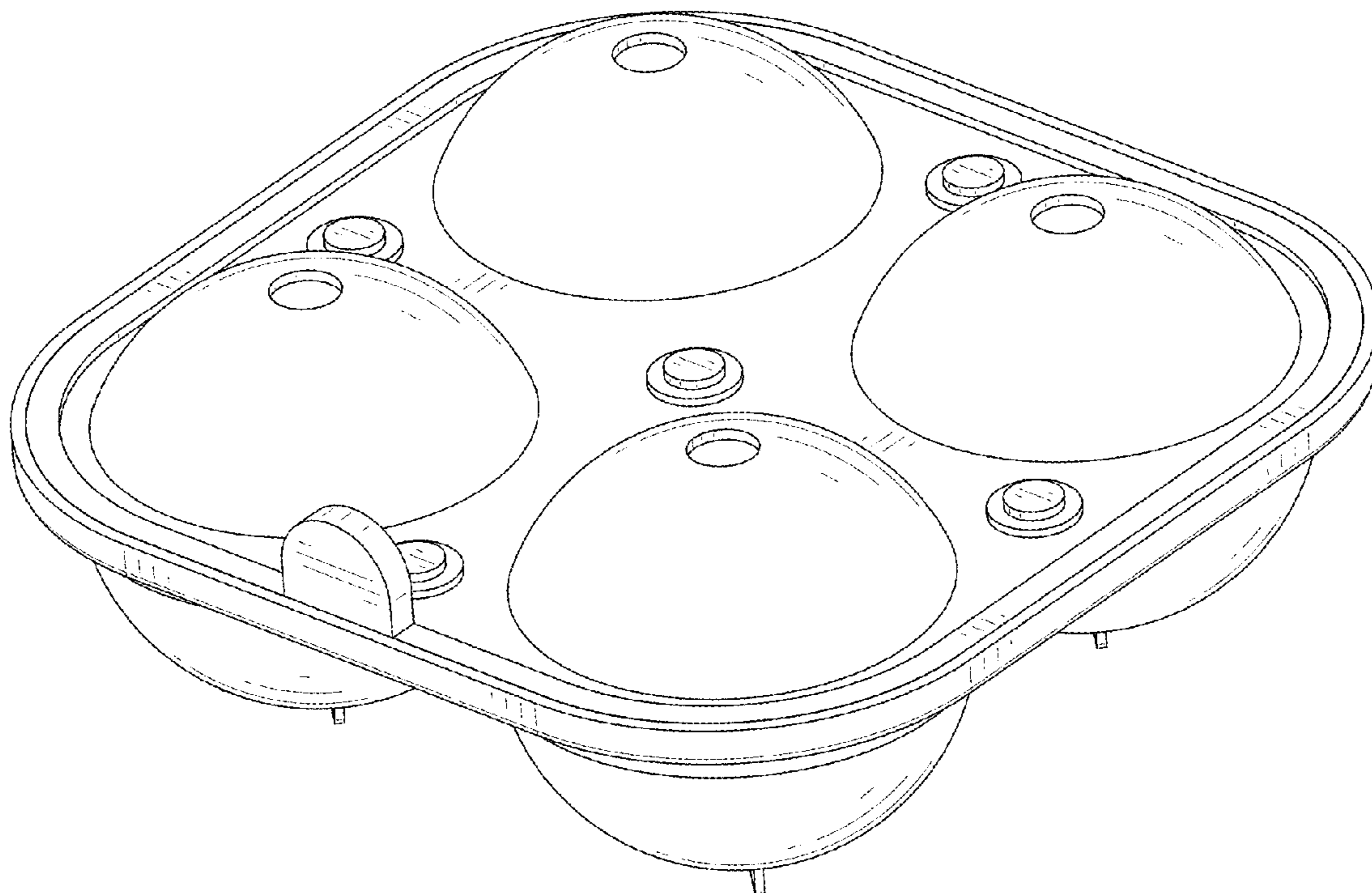
* cited by examiner

Primary Examiner — Khawaja Anwar

(57) **CLAIM**
The ornamental design for an ice cube tray, as shown and described.

DESCRIPTION
FIG. 1 is a perspective view of an ice cube tray showing my new design;
FIG. 2 is another perspective view thereof;
FIG. 3 is a front elevational view thereof;
FIG. 4 is a rear elevational view thereof;
FIG. 5 is a left side elevational view thereof;
FIG. 6 is a right side elevational view thereof;
FIG. 7 is a top plan view thereof;
FIG. 8 is a bottom plan view thereof; and,
FIG. 9 is an exploded perspective view of the ice cube tray.
The broken lines in the drawings depict portions of the ice cube tray that form no part of the claimed design.

1 Claim, 9 Drawing Sheets



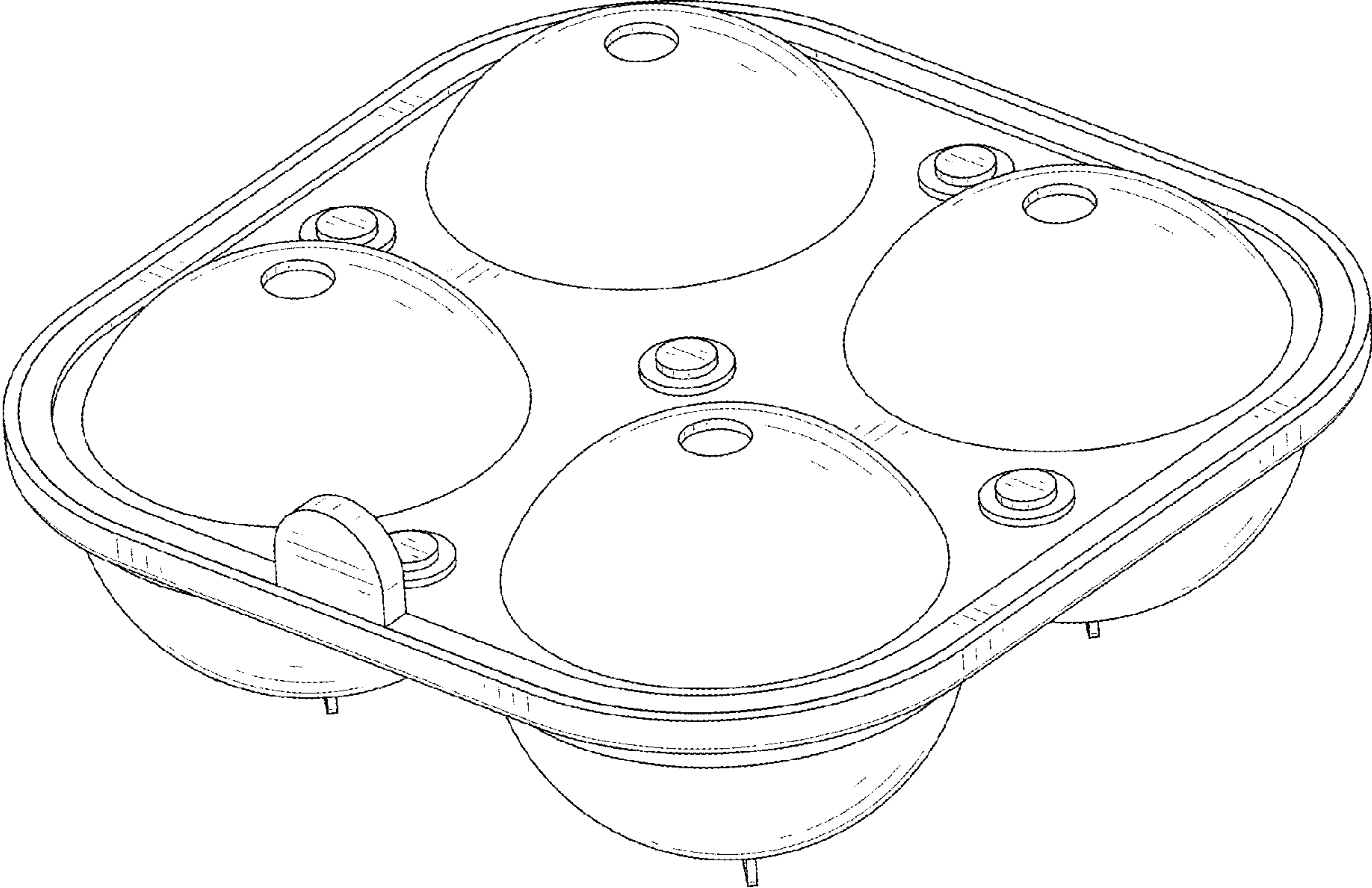


FIG. 1

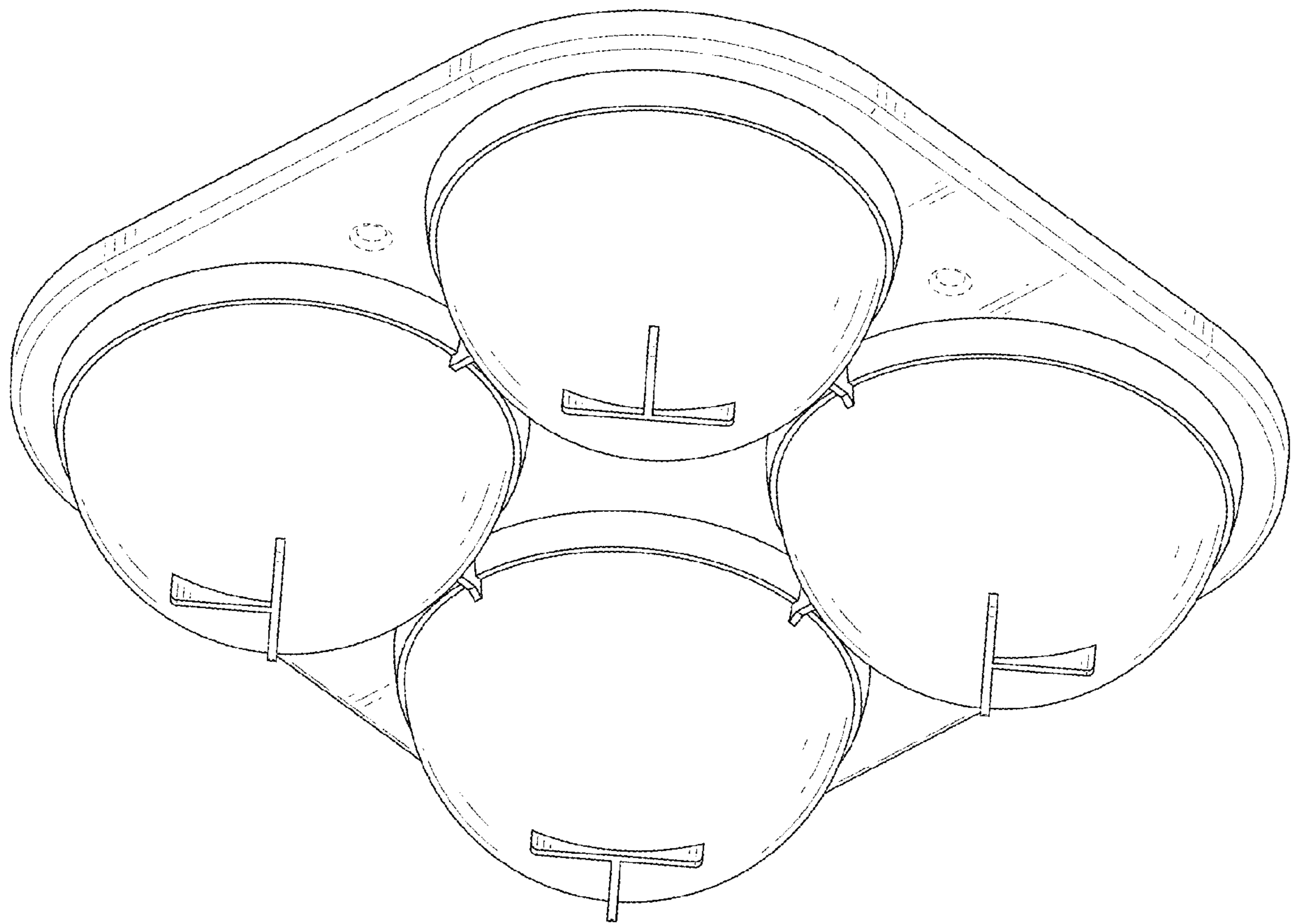


FIG. 2

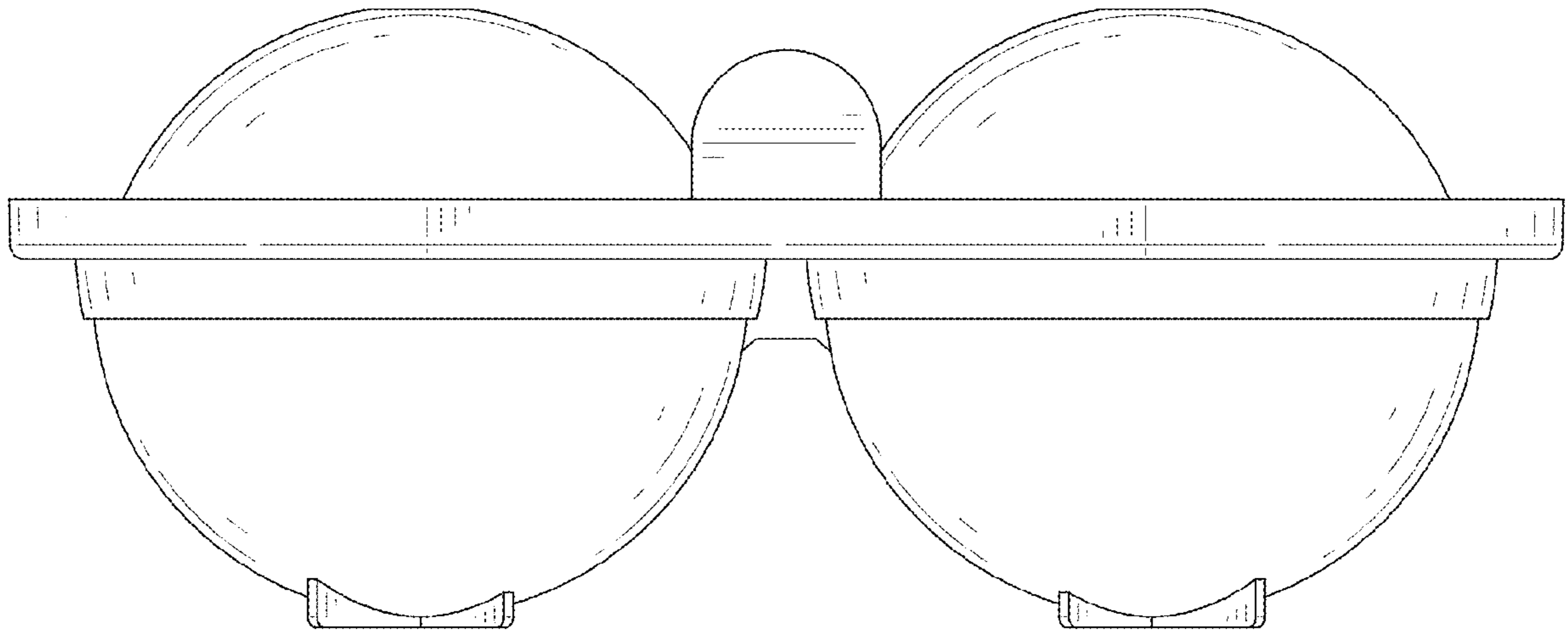


FIG. 3

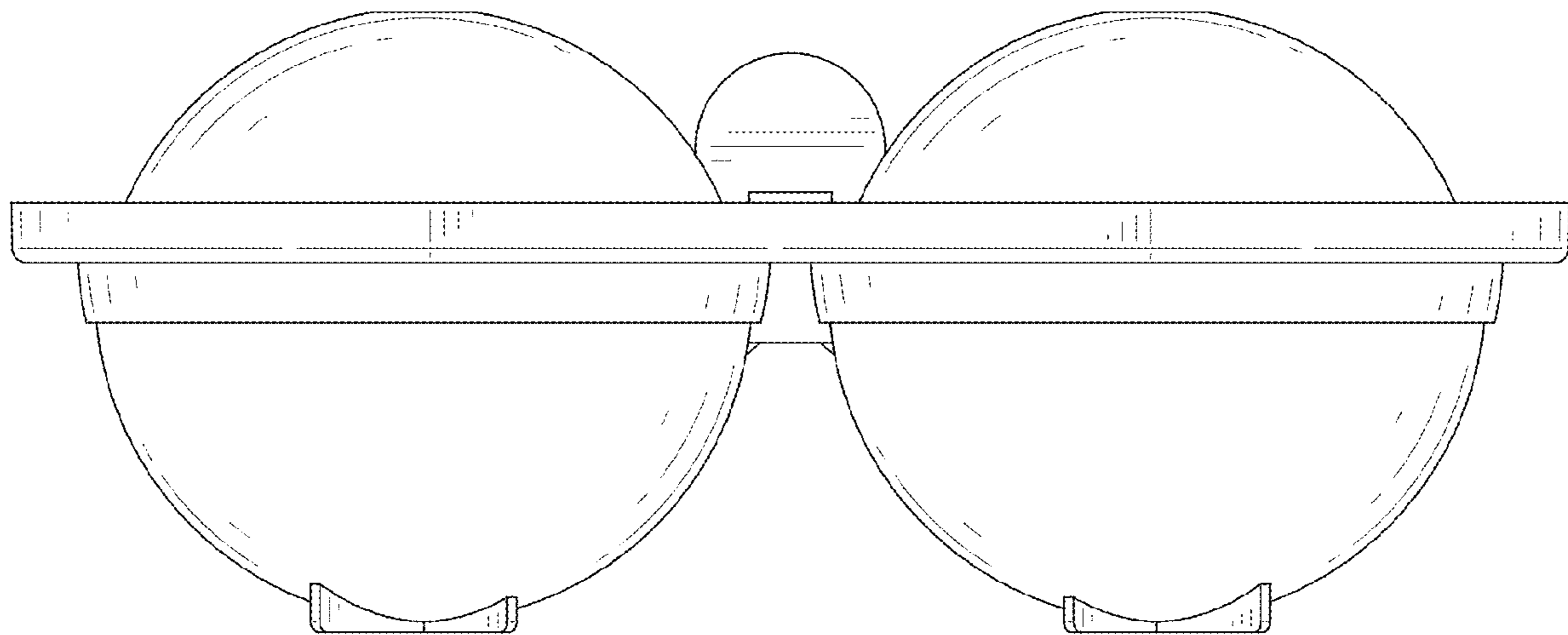


FIG. 4

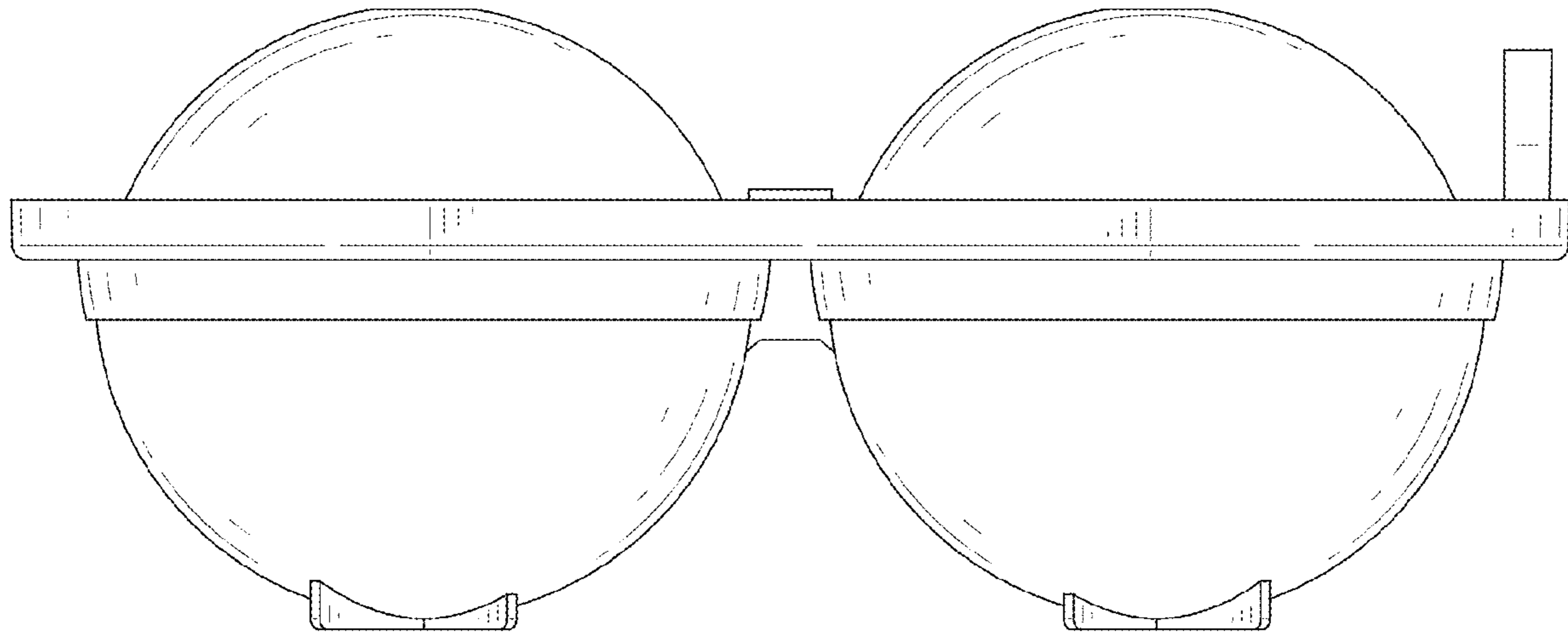


FIG. 5

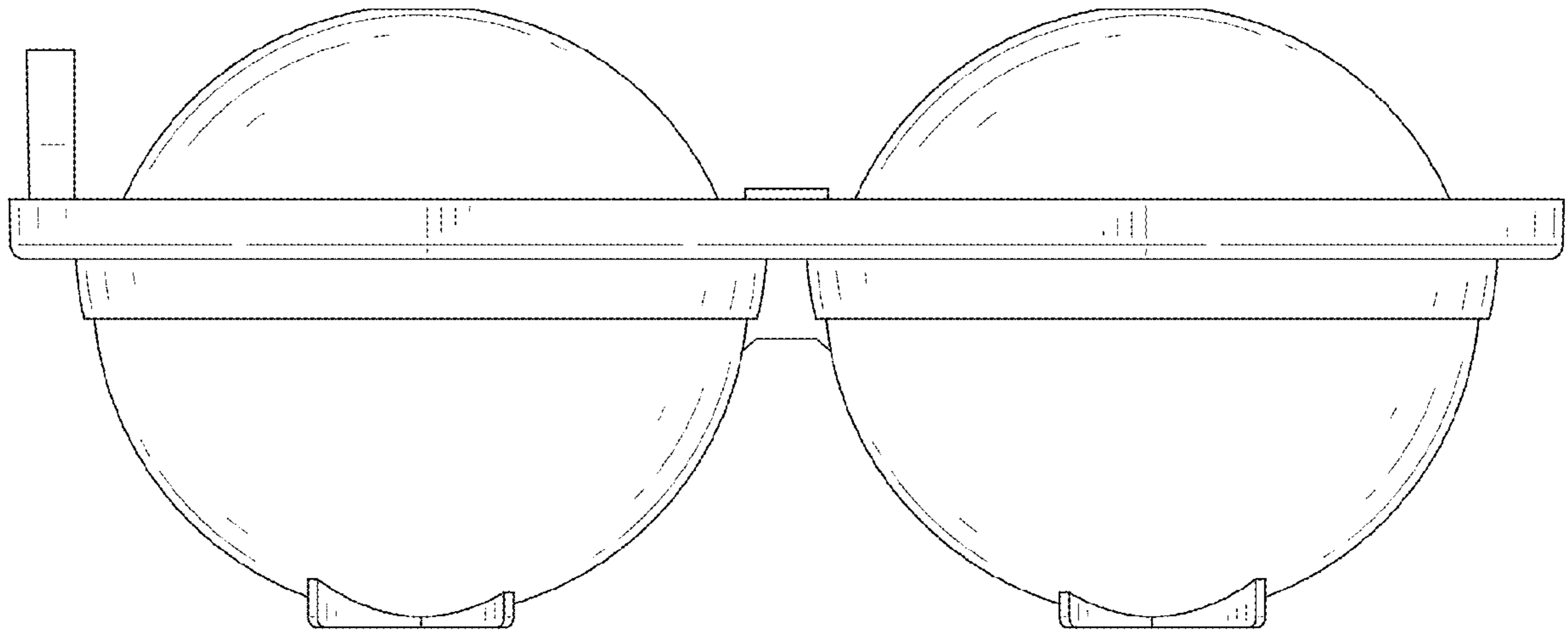


FIG. 6

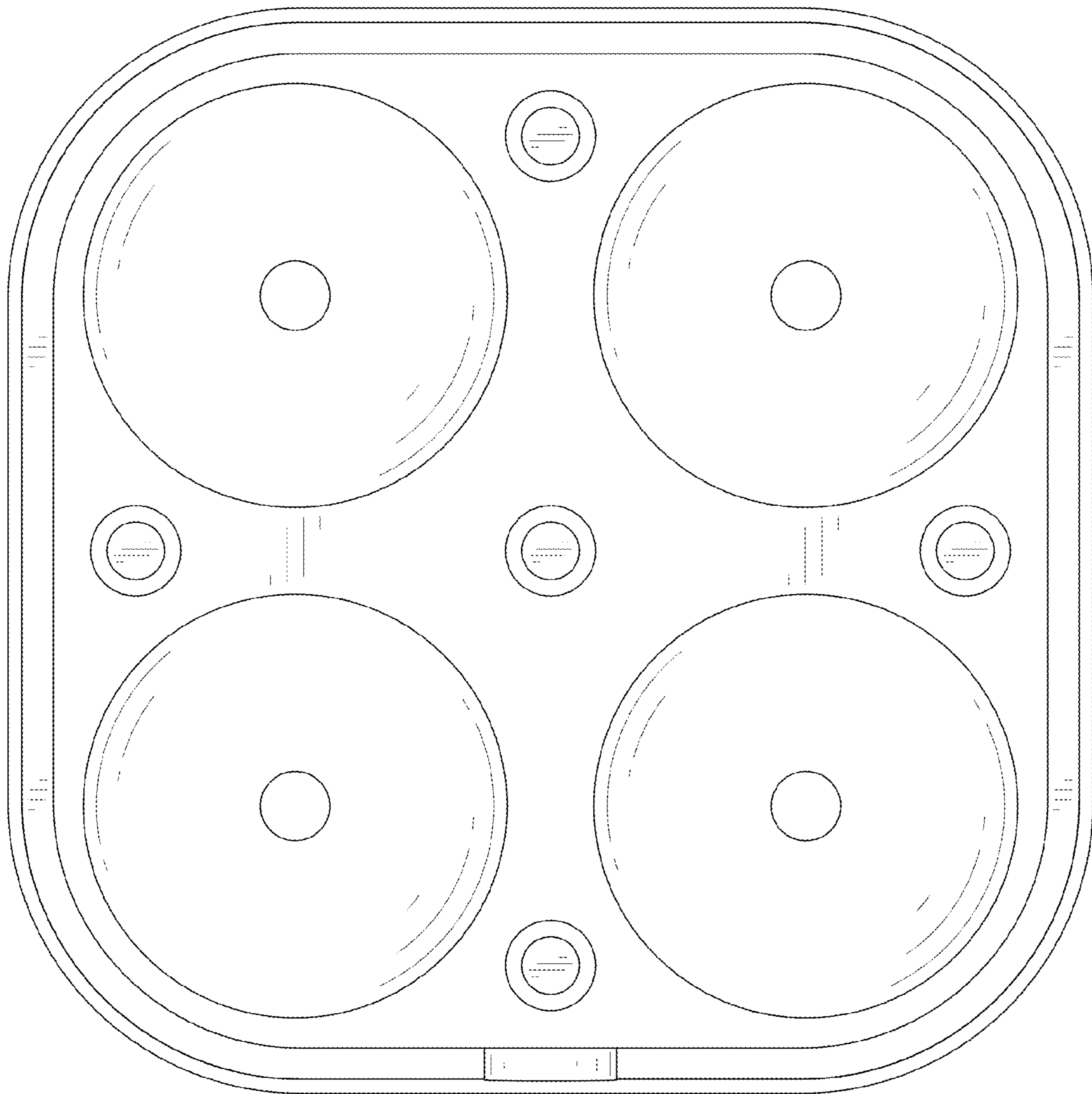


FIG. 7

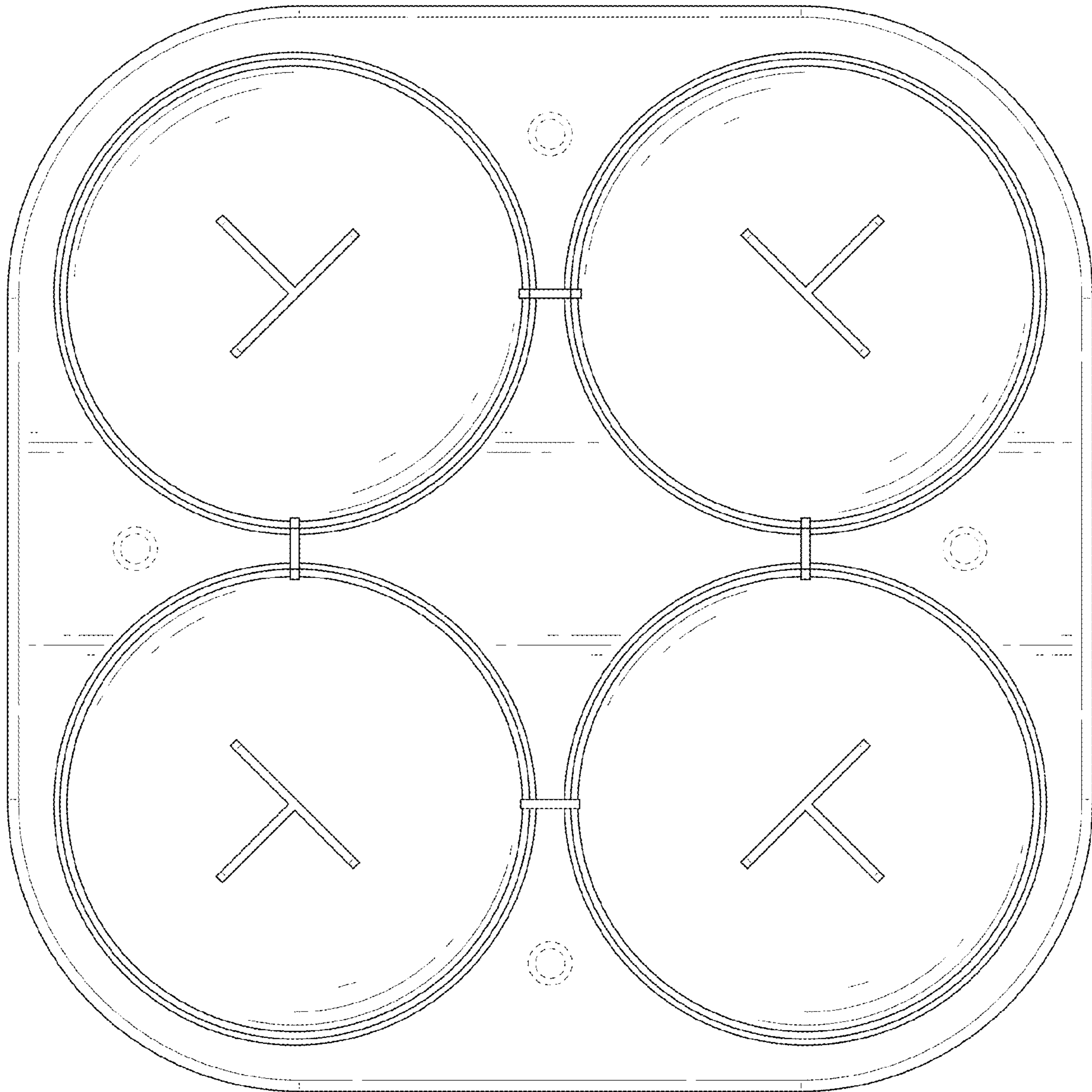


FIG. 8

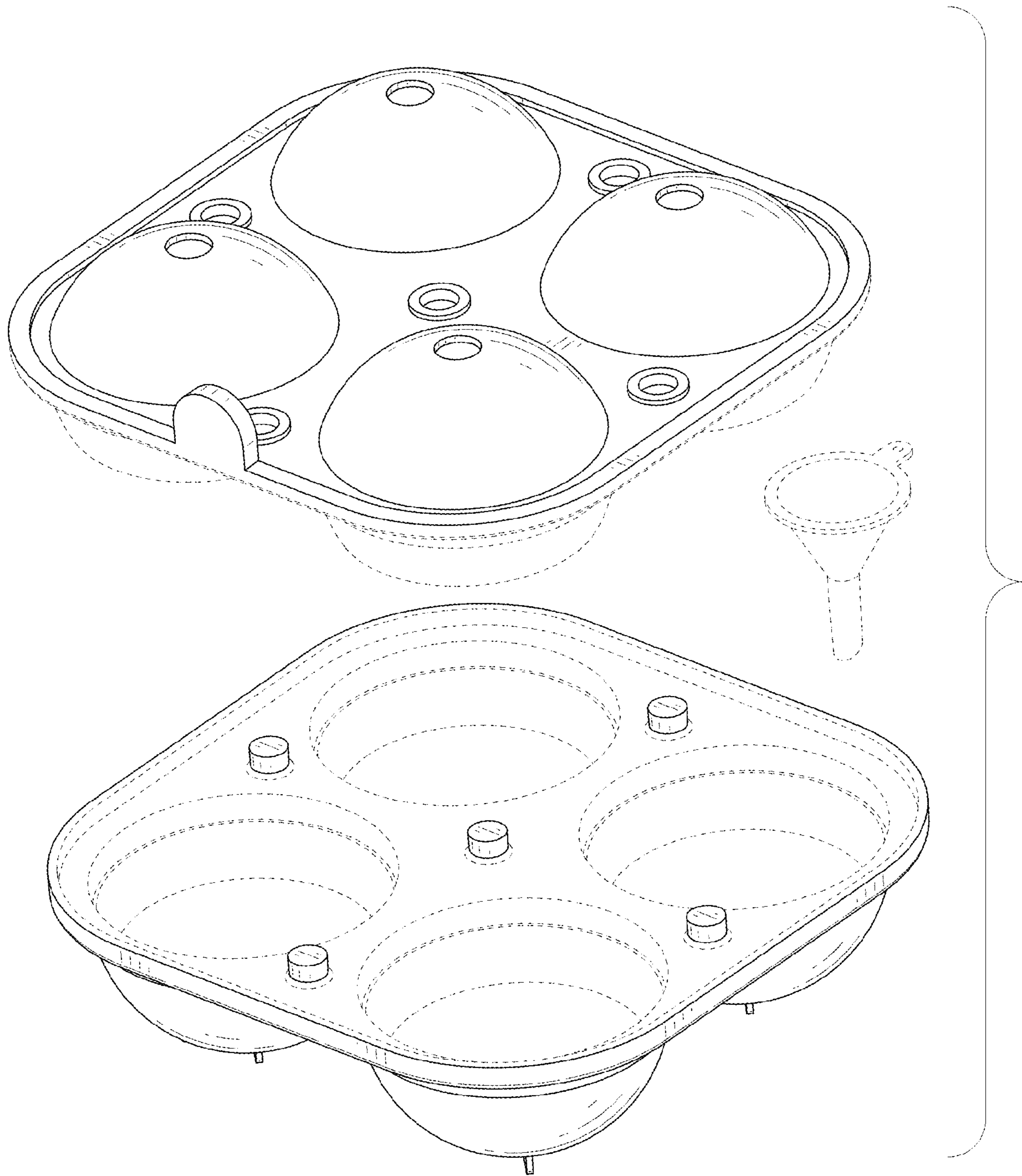


FIG. 9