



US00D918969S

(12) **United States Design Patent** (10) **Patent No.:** **US D918,969 S**
Kamada et al. (45) **Date of Patent:** **** May 11, 2021**

(54) **HOOD FOR A TRACTOR**

(56) **References Cited**

(71) Applicant: **Mitsubishi Mahindra Agricultural Machinery Co., Ltd., Shimane (JP)**

U.S. PATENT DOCUMENTS

(72) Inventors: **Naoki Kamada, Matsue (JP);
Hidetomo Watanabe, Matsue (JP);
Toshinobu Watanabe, Matsue (JP)**

D532,021 S *	11/2006	Kuwae	D15/17
D558,799 S *	1/2008	Higashikawa	D15/31
D570,382 S *	6/2008	Higashikawa	D15/31
D720,371 S *	12/2014	Furukawa	D15/31
D733,767 S *	7/2015	Kushita	D15/31
D778,963 S *	2/2017	Yang	D15/31
D778,964 S *	2/2017	Yang	D15/31
D792,484 S *	7/2017	Park	D15/31
D837,837 S *	1/2019	Park	D15/31
D854,056 S *	7/2019	Futagami	D15/31
D855,084 S *	7/2019	Warren	D15/31
D855,664 S *	8/2019	Okuyama	D15/31
2017/0129542 A1 *	5/2017	Kurokawa	B60J 10/86

(73) Assignee: **MITSUBISHI MAHINDRA AGRICULTURAL MACHINERY CO., LTD, Shimane-Prefecture (JP)**

(**) Term: **15 Years**

(21) Appl. No.: **35/507,247**

* cited by examiner

(22) Filed: **Dec. 27, 2018**

Primary Examiner — Nathaniel D. Buckner

(80) **Hague Agreement Data**

Int. Filing Date: **Dec. 27, 2018**
Int. Reg. No.: **DM/202249**
Int. Reg. Date: **Dec. 27, 2018**
Int. Reg. Pub. Date: **Aug. 16, 2019**

(74) *Attorney, Agent, or Firm* — Wenderoth, Lind & Ponack, L.L.P.

(30) **Foreign Application Priority Data**

Jul. 6, 2018 (JP) 2018-015018

(51) **LOC (13) Cl.** **15-03**

(52) **U.S. Cl.**
USPC **D15/31**

(58) **Field of Classification Search**
USPC D15/31, 17, 23, 26; D12/173;
296/100.1, 191, 193.11, 198
CPC B62D 25/10; B62D 25/12; B62D 25/084;
B62D 25/168; B62D 25/182; B62D
33/0608; B62D 33/067; B62D 33/077;
B62D 49/005; B60Q 1/0408; B60Q
1/2619; A01B 69/02; A01D 34/667;
A01D 34/71; A01D 34/81; E02F 9/0891
See application file for complete search history.

(57) **CLAIM**

The ornamental design for a hood for a tractor, as shown and described.

DESCRIPTION

Hood for a Tractor

1.1 is a front elevation view of a hood for a tractor showing our new design;

1.2 is a right side elevation view thereof;

1.3 is a left side elevation view thereof;

1.4 is a top plan view thereof;

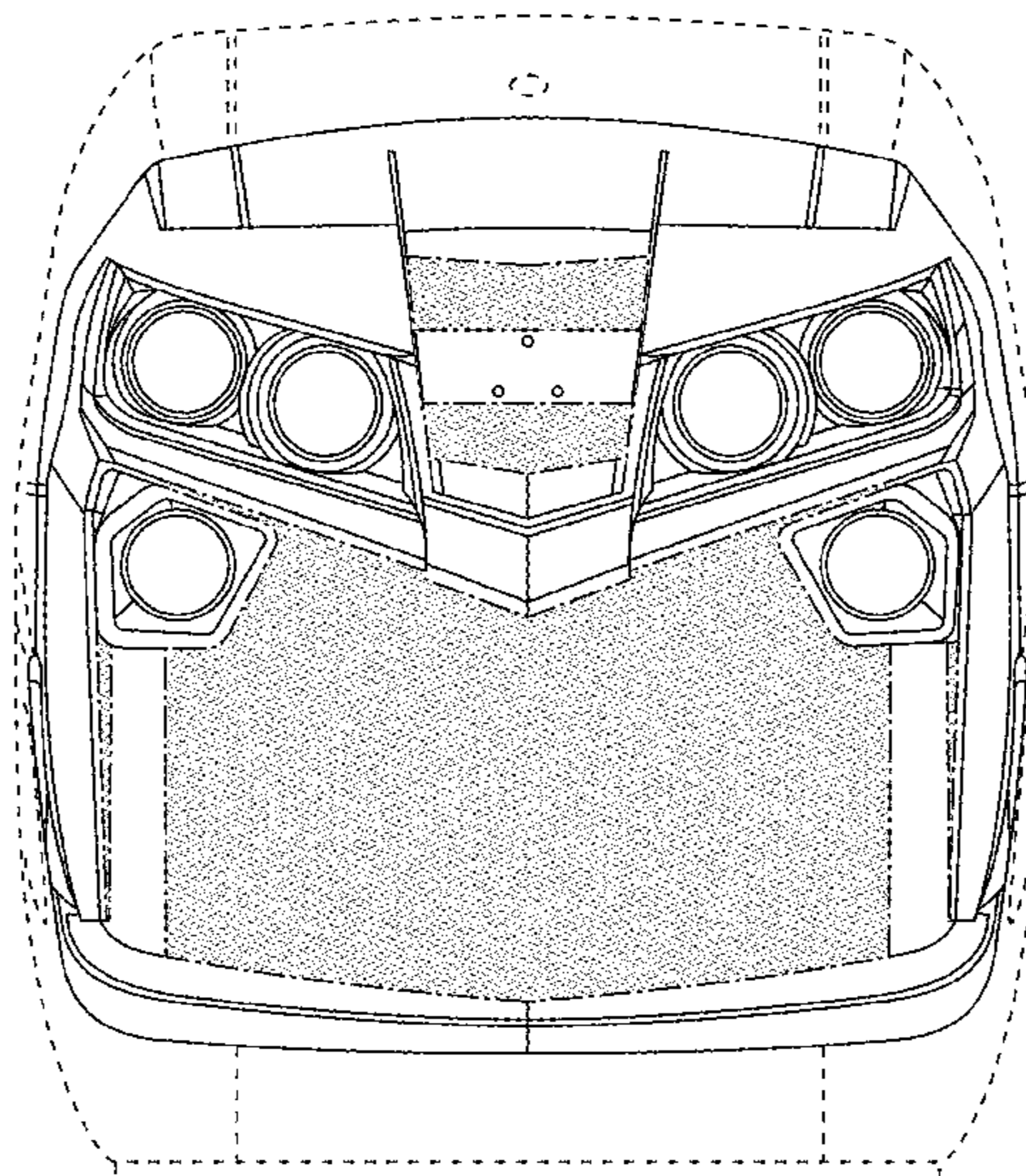
1.5 is a bottom plan view thereof; and

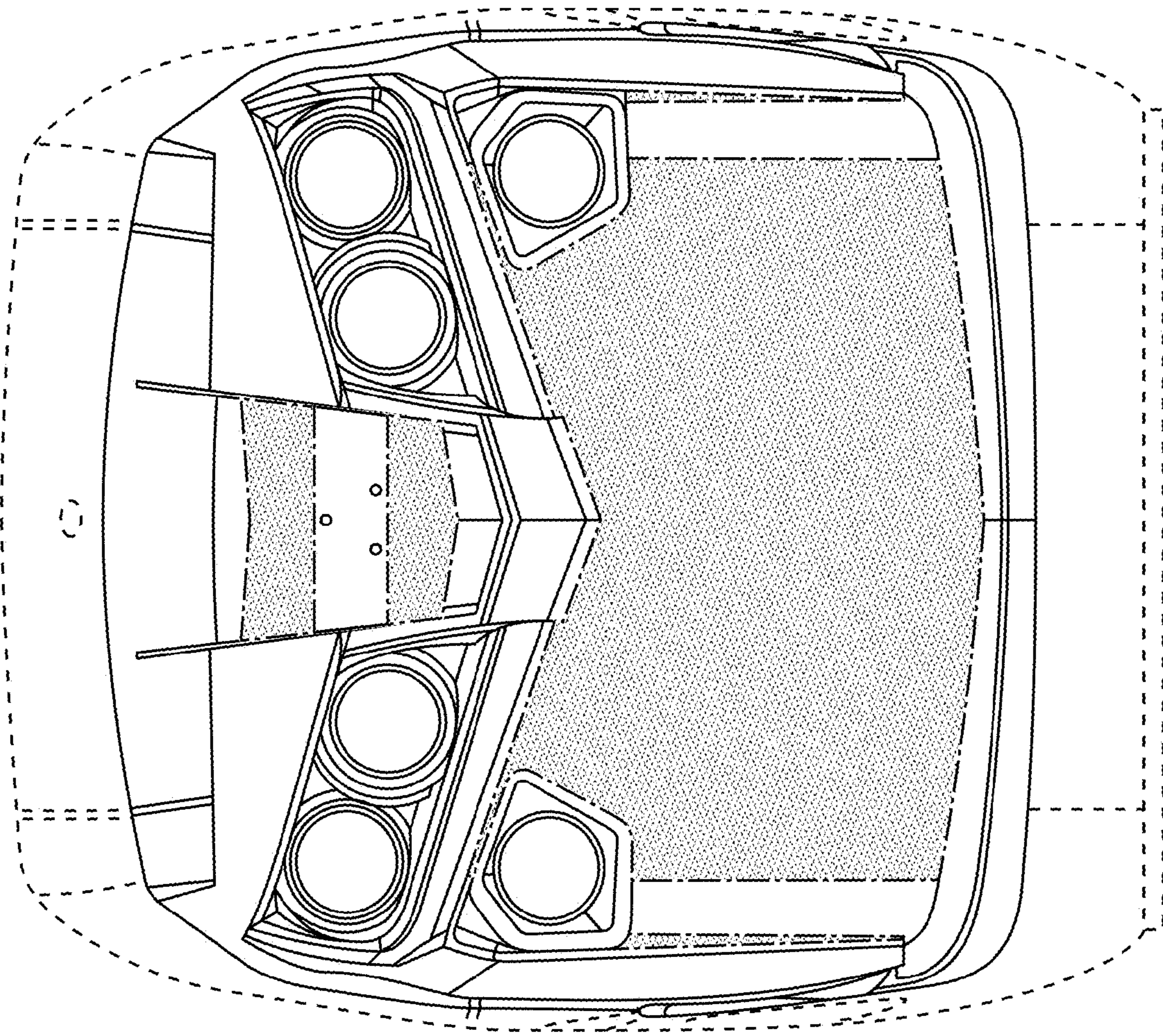
1.6 is a top right perspective view thereof.

The broken lines show portions of the hood for a tractor which form no part of the claimed design.

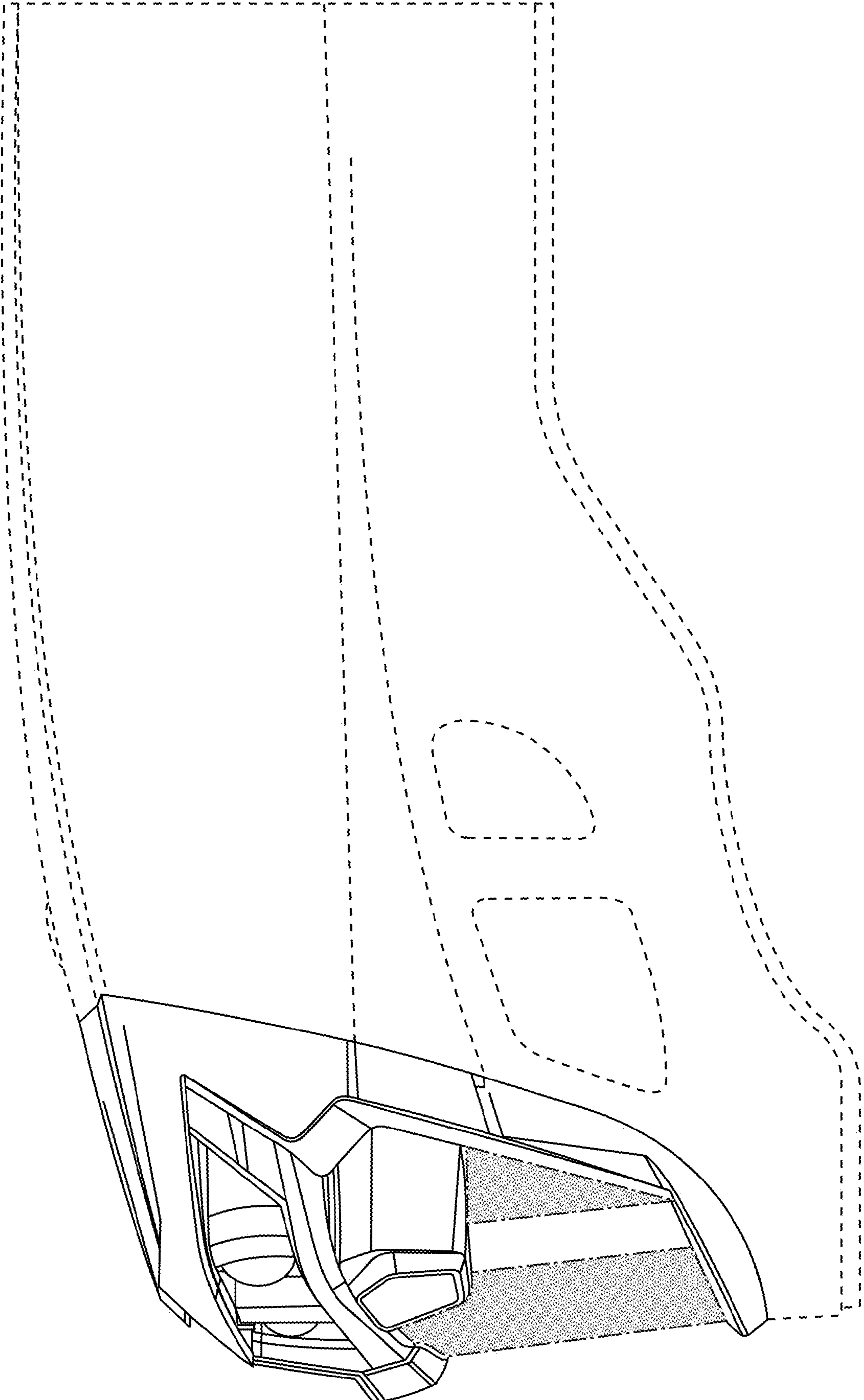
The dot-dashed broken lines depict a boundary of the claimed design and form no part thereof. The areas completely surrounded by dot-dash broken lines form no part of the claimed design.

1 Claim, 6 Drawing Sheets

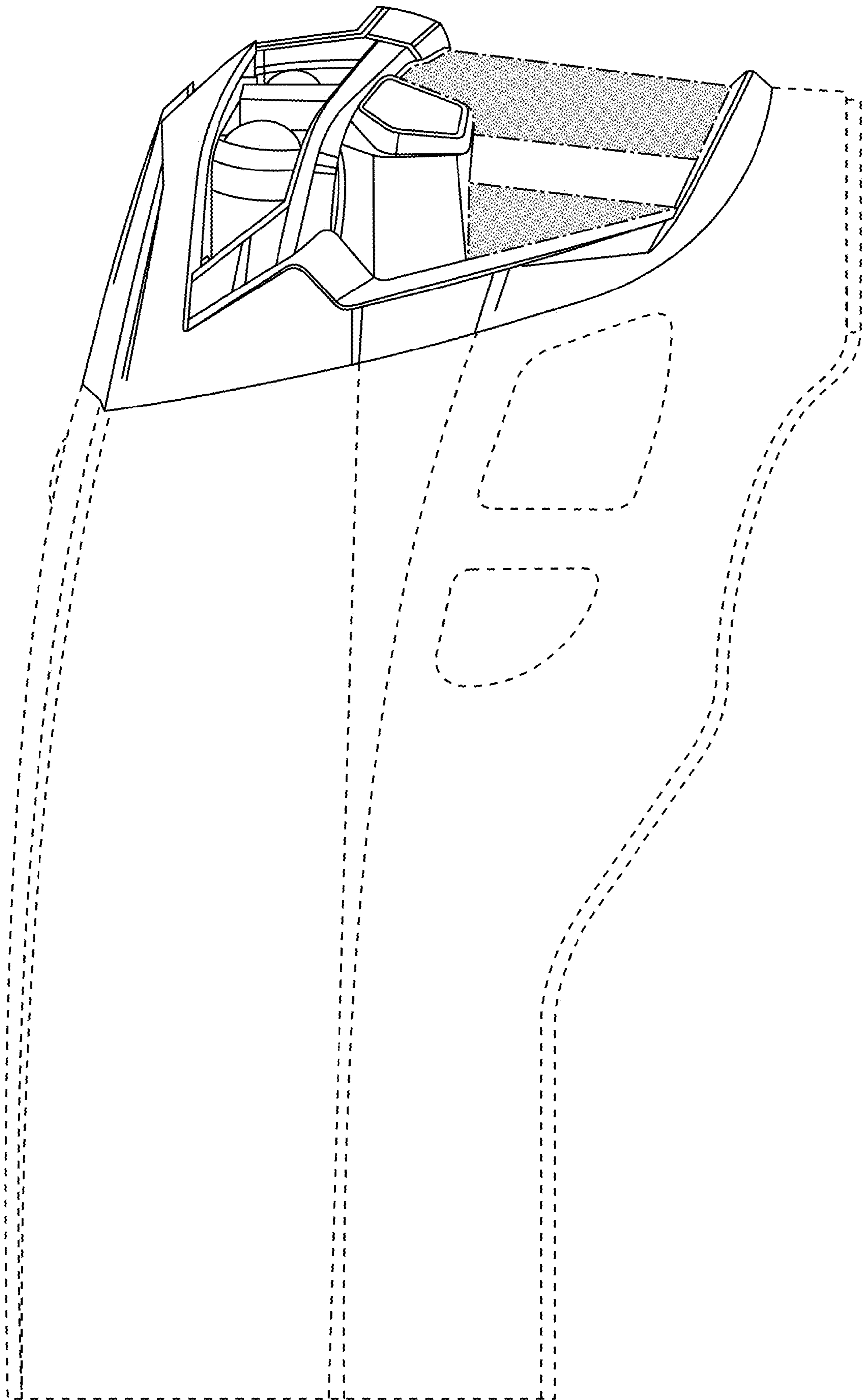




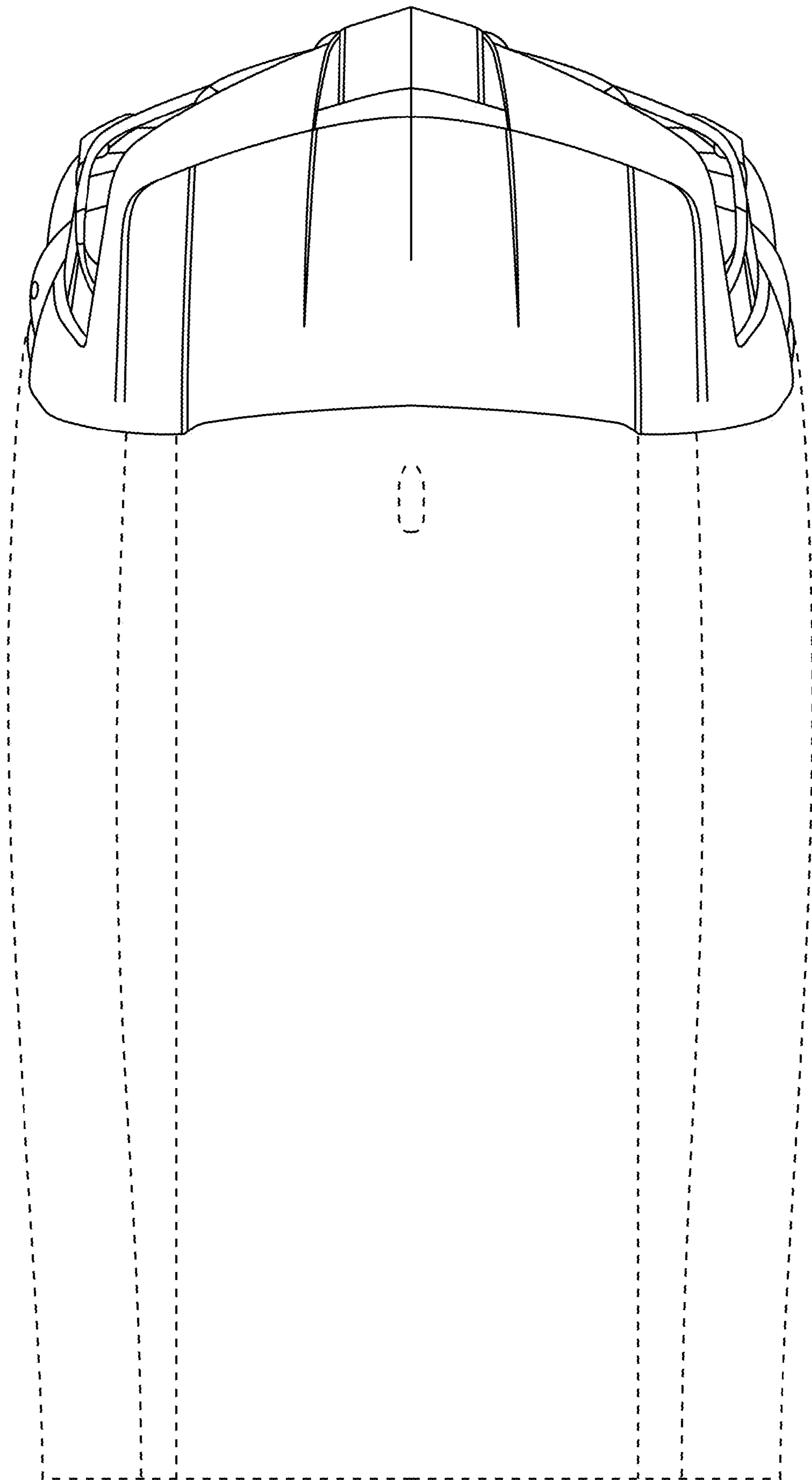
1.1



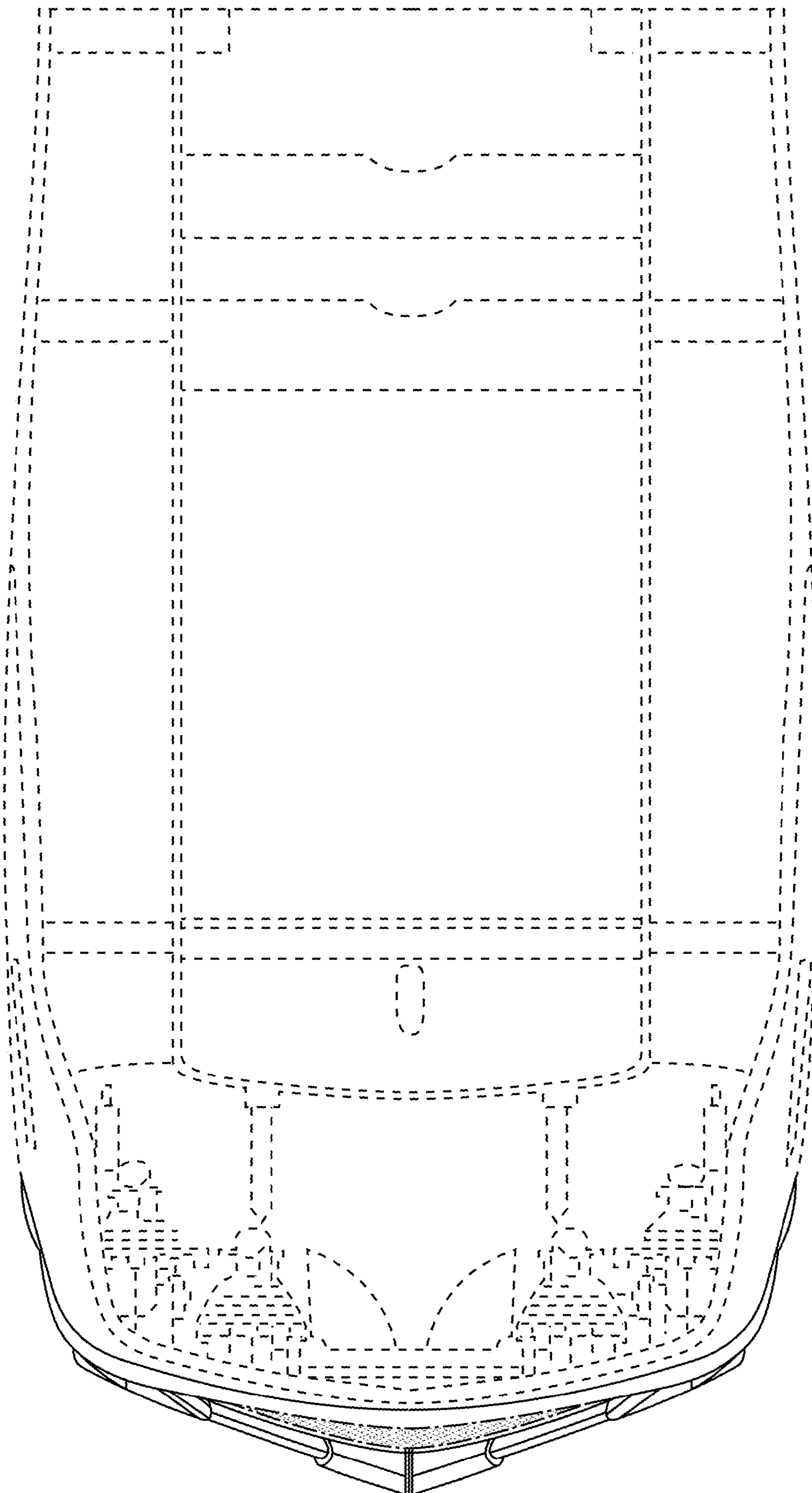
1.2



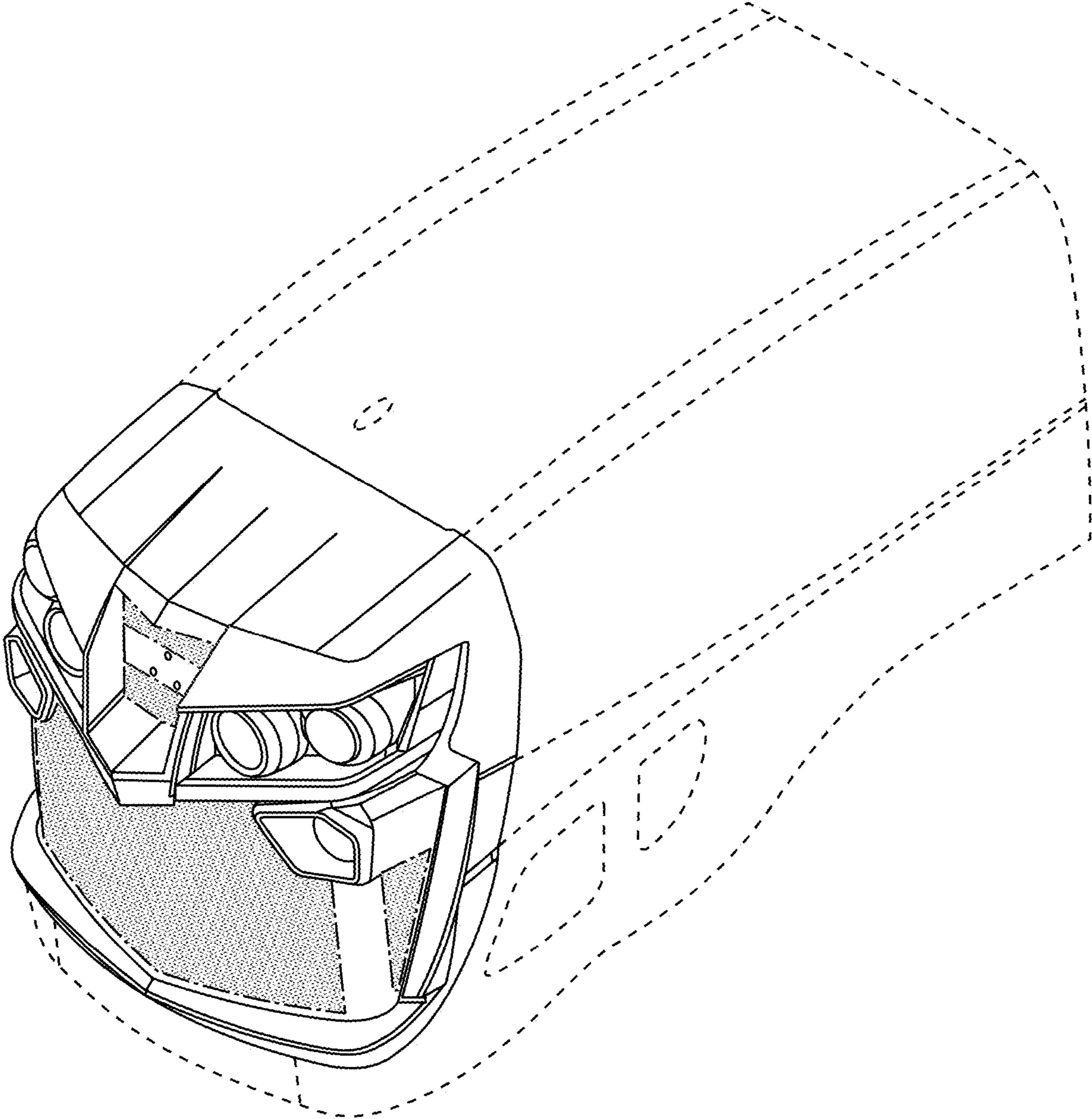
1.3



1.4



1.5



1.6