



US00D918967S

(12) **United States Design Patent**
Jacobsthal et al.

(10) **Patent No.:** **US D918,967 S**

(45) **Date of Patent:** **** May 11, 2021**

(54) **ROOF OF A WORK VEHICLE**

(71) Applicant: **CNH Industrial America LLC**, New Holland, PA (US)

(72) Inventors: **Eric Michael Jacobsthal**, Elmhurst, IL (US); **Russell Alan Meyer**, Crystal Lake, IL (US)

(73) Assignee: **CNH Industrial America LLC**, New Holland, PA (US)

(**) Term: **15 Years**

(21) Appl. No.: **29/636,565**

(22) Filed: **Feb. 9, 2018**

(51) **LOC (13) Cl.** **15-03**

(52) **U.S. Cl.**
USPC **D15/30**

(58) **Field of Classification Search**
USPC D15/28, 30, 31, 22-26; D34/37
CPC .. B66C 13/54; E02F 9/16; E02F 9/163; E02F 9/06; B62D 33/0617; B62D 49/00-085; B62D 33/06-073; B60J 7/00; B60J 1/004; B60J 1/02; B60J 1/04; B60J 5/0487
See application file for complete search history.

(56) **References Cited**

U.S. PATENT DOCUMENTS

D355,423 S *	2/1995	Woods	D15/23
D430,579 S *	9/2000	Westendorf	D15/28
D528,134 S *	9/2006	Vandendriessche	D15/30
D534,188 S *	12/2006	Shuttleworth	D15/33
D541,825 S *	5/2007	Pettersson	D15/30
D544,889 S *	6/2007	Milburn, Jr.	D15/30
D674,820 S *	1/2013	Budde	D15/30
D674,821 S *	1/2013	Budde	D15/30

D720,781 S	1/2015	Venth	
D749,148 S *	2/2016	Darekar D15/30
D755,254 S *	5/2016	Ewringmann D15/30
D785,052 S *	4/2017	Underhill D15/30
D816,732 S *	5/2018	Diebold D15/30

OTHER PUBLICATIONS

U.S. Appl. No. 62/628,329, filed Feb. 9, 2018, Jacobsthal.
U.S. Appl. No. 29/615,143, filed Aug. 25, 2017, Cadalora.

* cited by examiner

Primary Examiner — Mark A Goodwin

(74) *Attorney, Agent, or Firm* — Rickard K. DeMille;
Rebecca L. Henkel

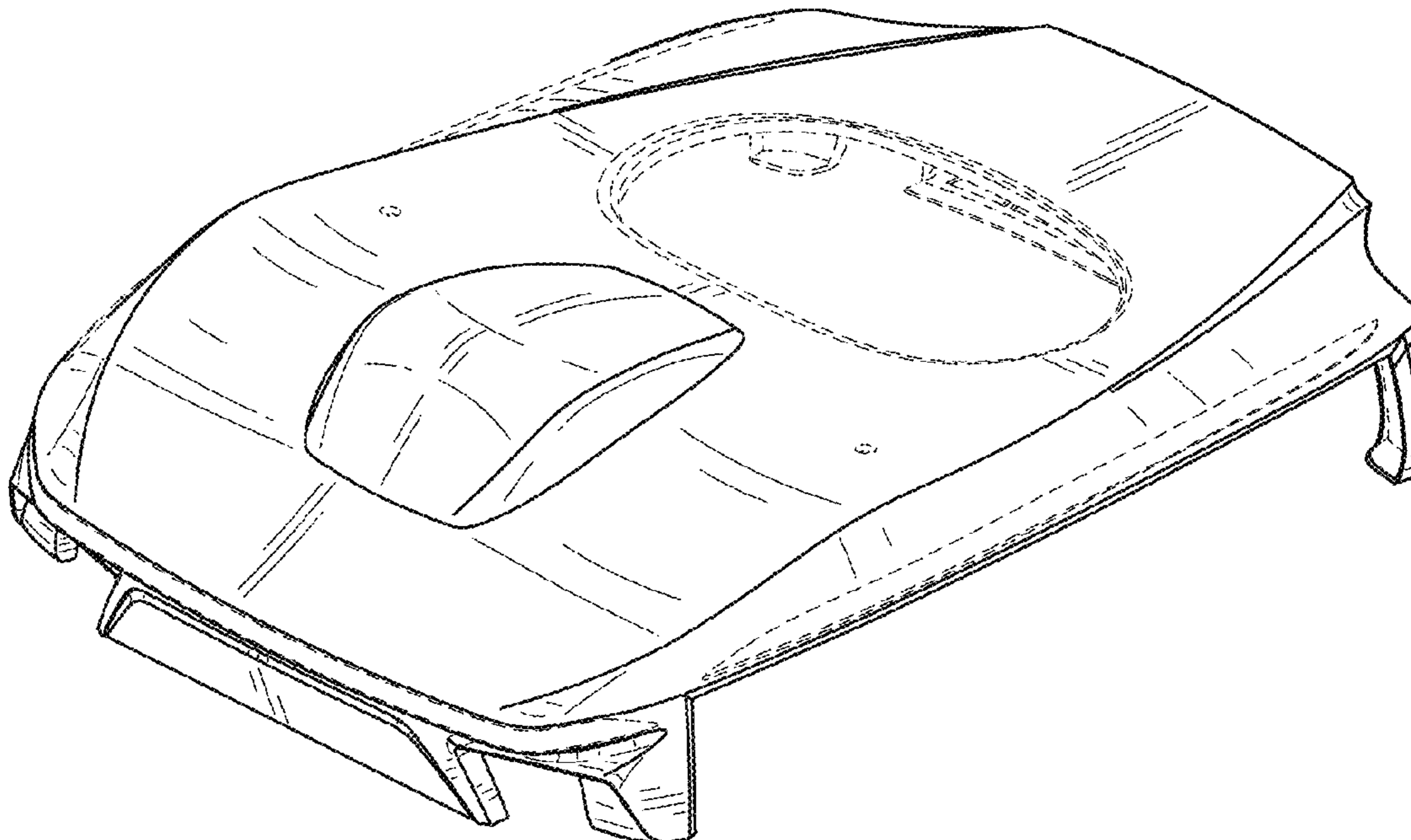
(57) **CLAIM**

The ornamental design for a roof of a work vehicle, substantially as shown and described.

DESCRIPTION

FIG. 1 is a front perspective view of a roof of a work vehicle showing our new design;
FIG. 2 is a front perspective view thereof;
FIG. 3 is a back perspective view thereof;
FIG. 4 is a top view thereof;
FIG. 5 is a bottom view thereof;
FIG. 6 is a front view thereof;
FIG. 7 is a back view thereof;
FIG. 8 is a left side view thereof; and,
FIG. 9 is a right side view thereof.
Phantom lines, where utilized, are for illustrative purposes only and form no part of the claimed design.

1 Claim, 7 Drawing Sheets



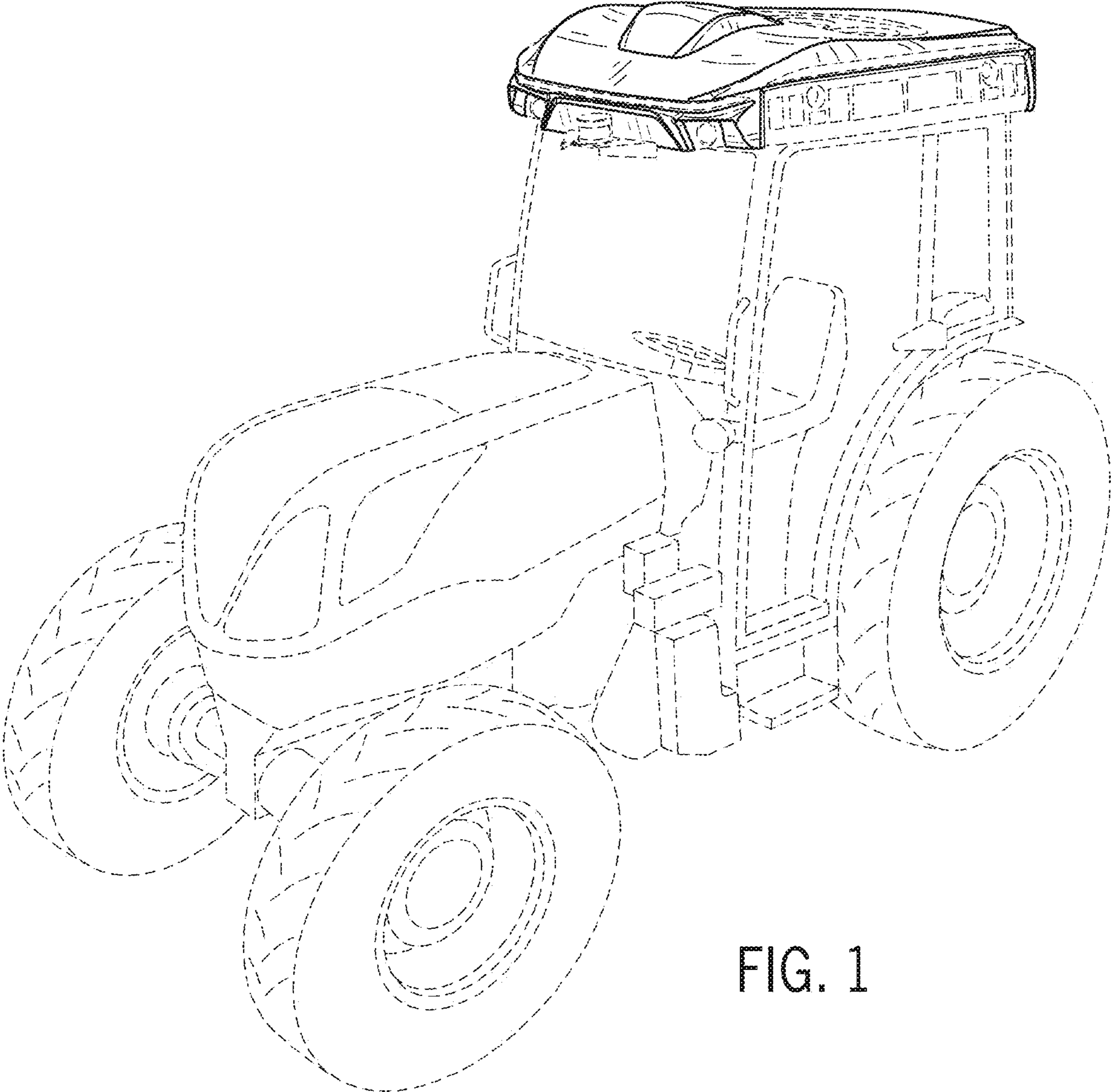


FIG. 1

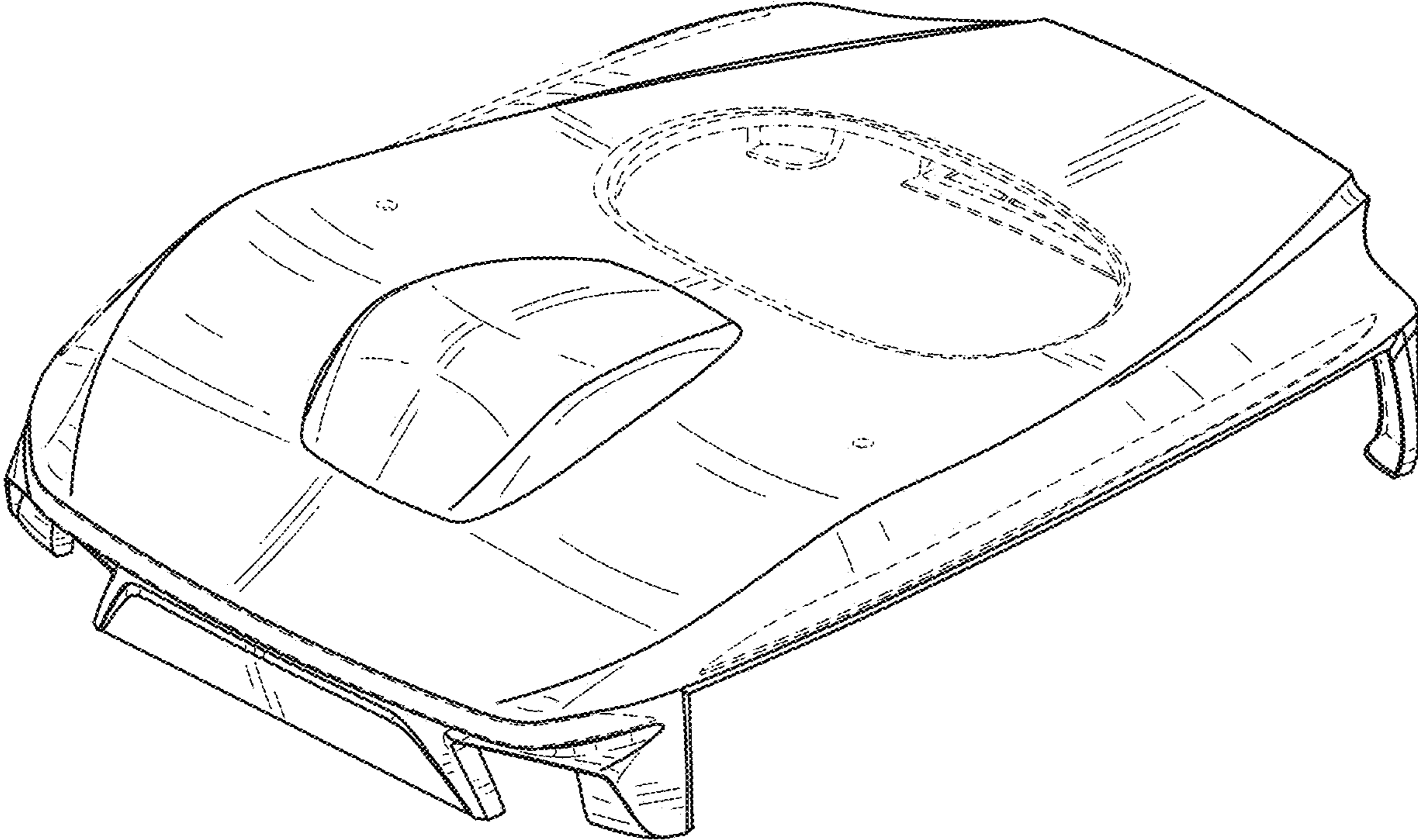


FIG. 2

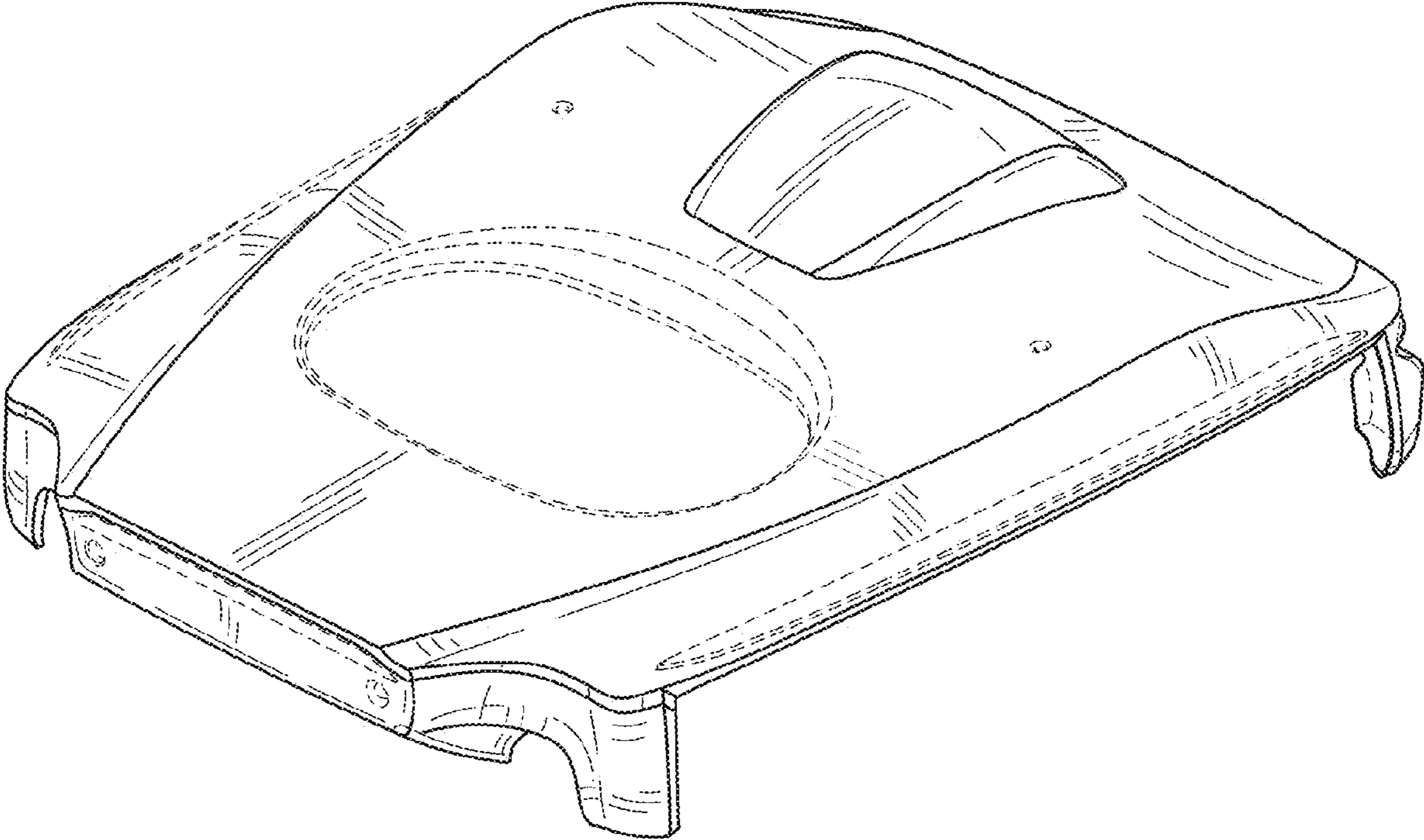


FIG. 3

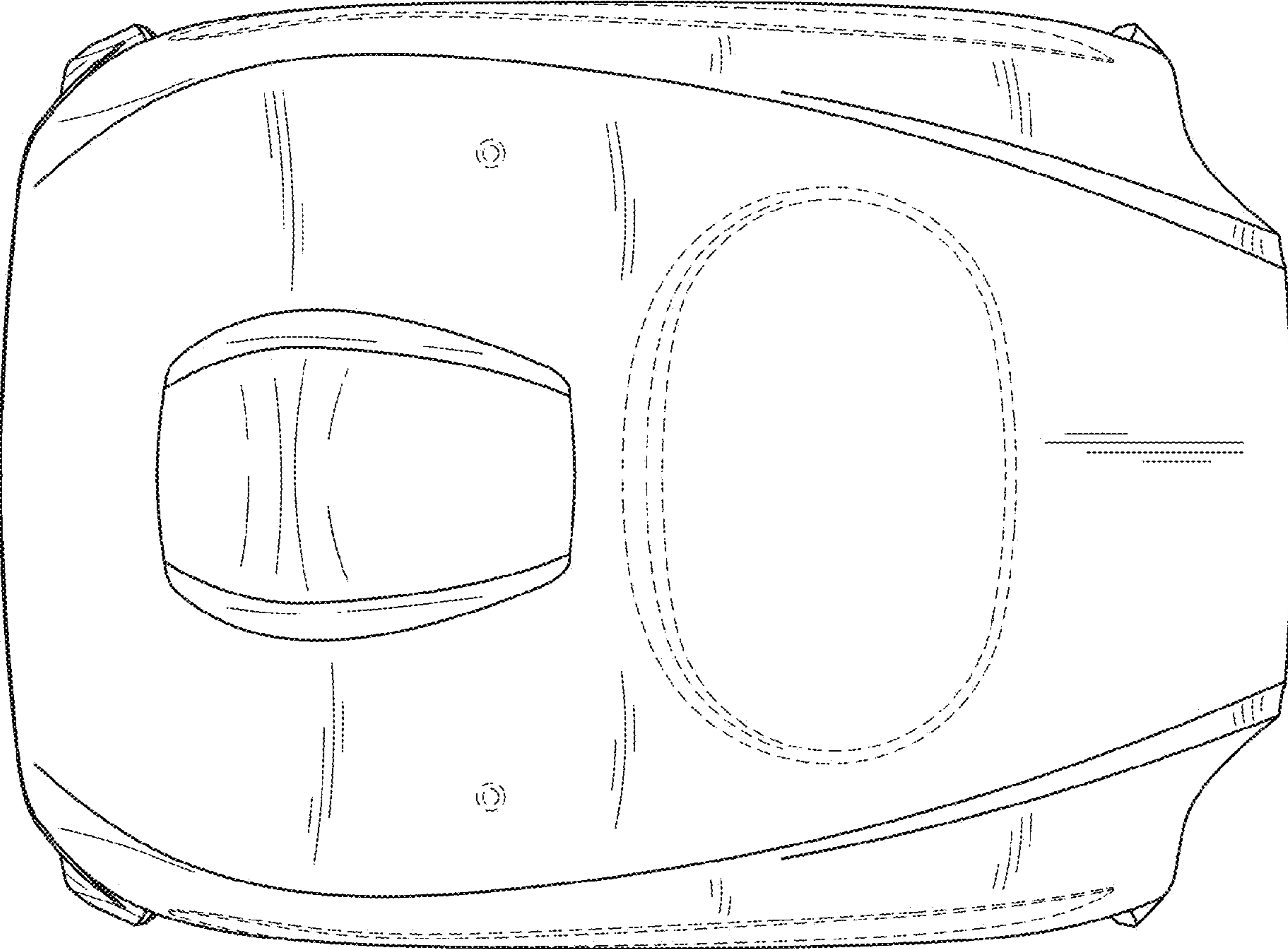


FIG. 4

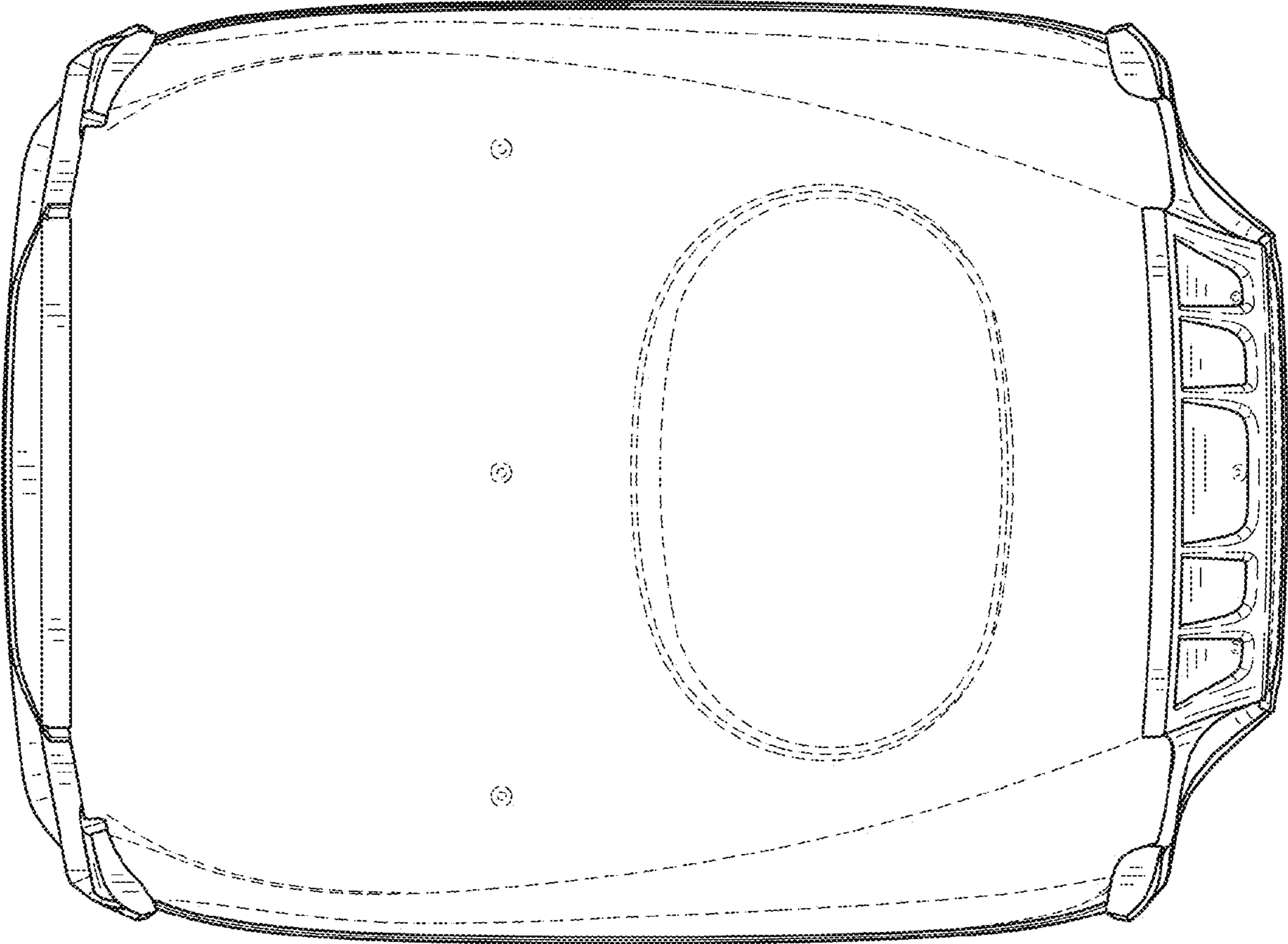


FIG. 5

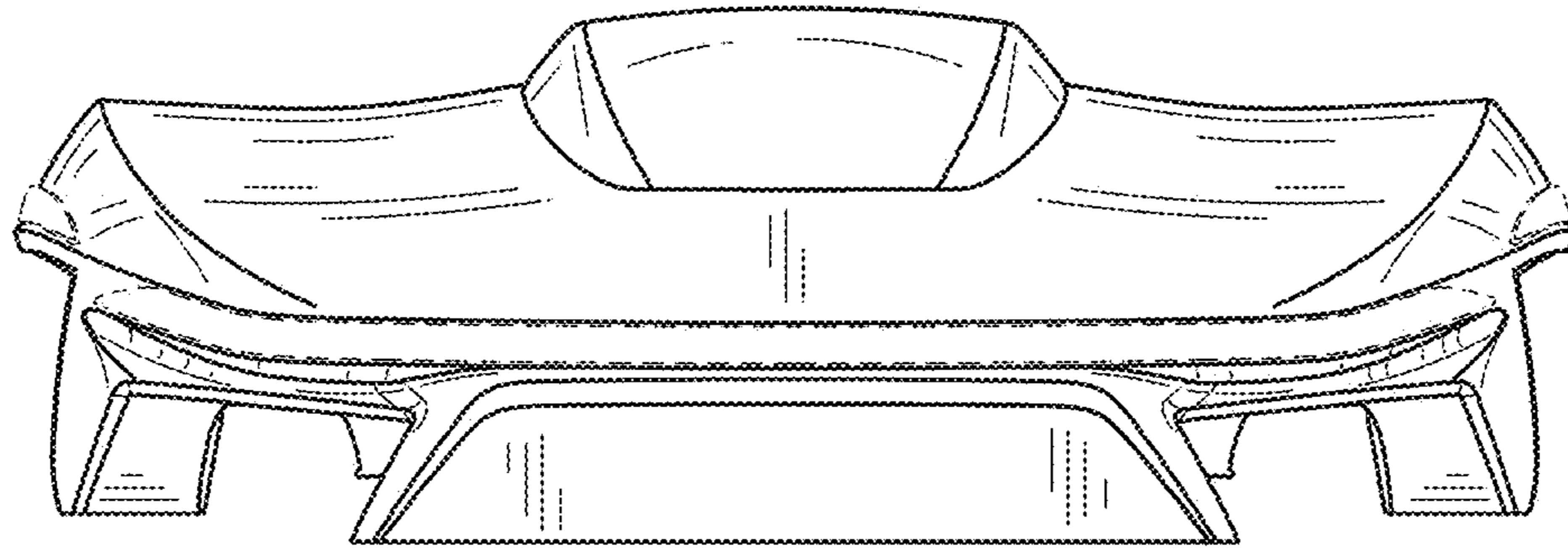


FIG. 6

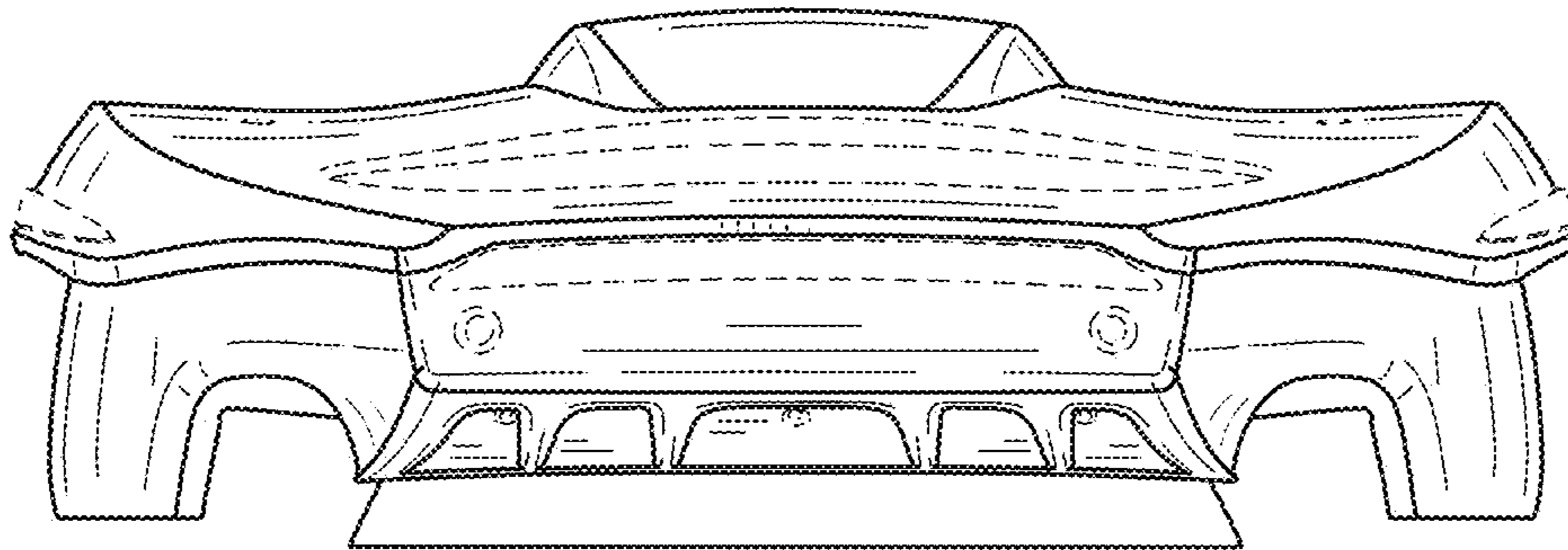


FIG. 7

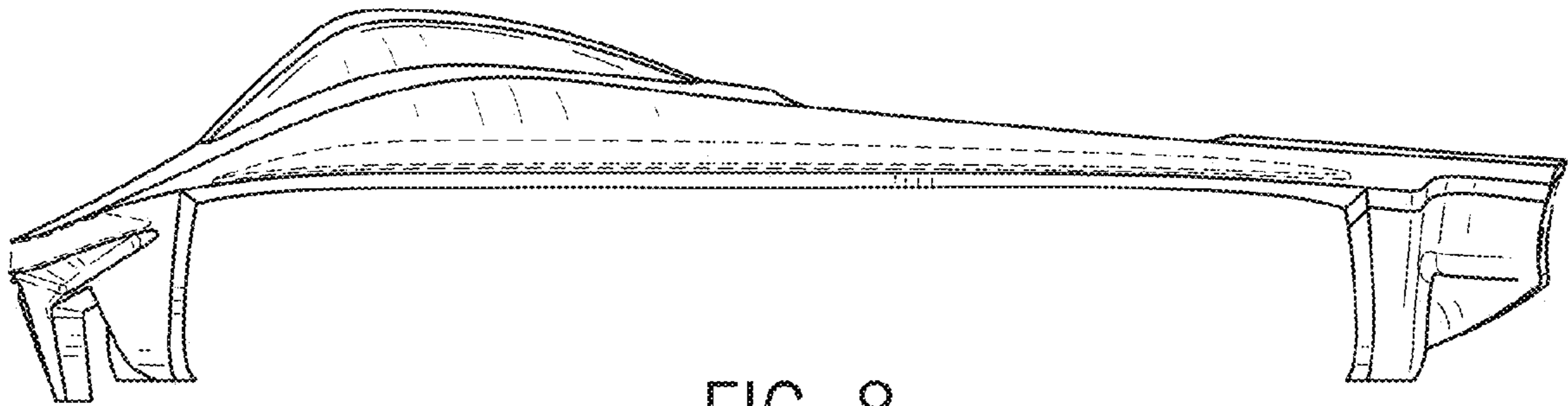


FIG. 8

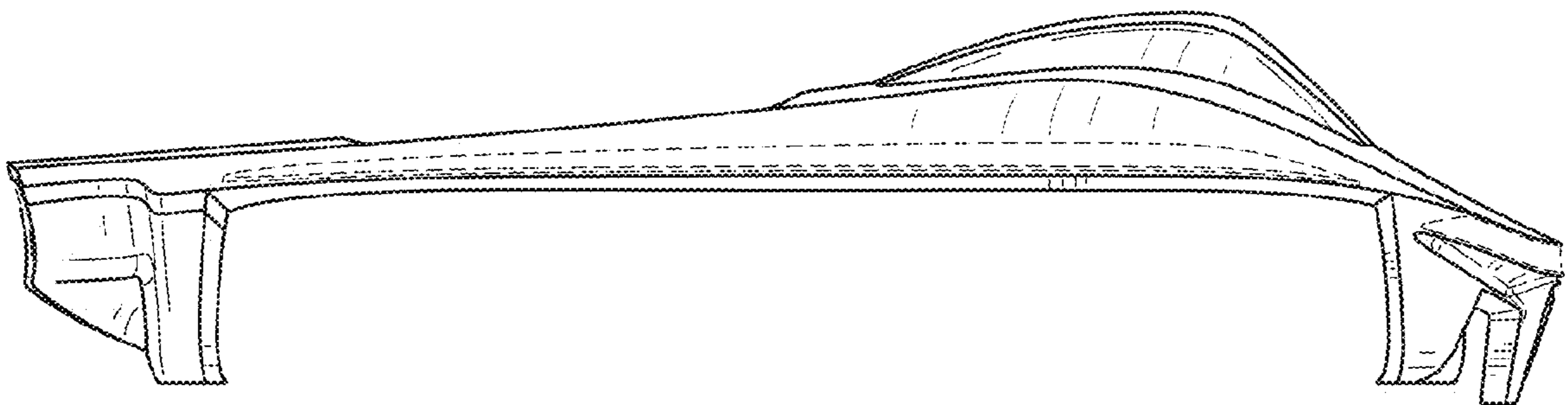


FIG. 9