



US00D918966S

(12) **United States Design Patent** (10) **Patent No.:** **US D918,966 S**
Bilal (45) **Date of Patent:** **** May 11, 2021**

(54) **GROUND ENGAGING WEAR MEMBER**

(71) Applicant: **Hensley Industries, Inc.**, Dallas, TX (US)

(72) Inventor: **Mohamad Bilal**, Little Elm, TX (US)

(73) Assignee: **HENSLEY INDUSTRIES, INC.**, Dallas, TX (US)

(**) Term: **15 Years**

(21) Appl. No.: **29/764,448**

(22) Filed: **Dec. 30, 2020**

Related U.S. Application Data

(62) Division of application No. 29/653,834, filed on Jun. 19, 2018.

(51) **LOC (13) Cl.** **15-03**

(52) **U.S. Cl.**
USPC **D15/29**; D15/28

(58) **Field of Classification Search**
USPC D15/11, 28, 29; 37/456, 452, 450, 446, 37/454, 449, 453, 455, 903; 403/379.5, 403/DIG. 1; 111/152; 172/724, 730, 172/766, 770, 771, 721, 713, 699, 772
CPC Y10T 29/49826; Y10T 403/589; Y10T 403/7018; Y10T 403/7075; E02F 9/28; E02F 9/2825; E02F 9/2833; E02F 9/2866; E02F 9/2858; E02F 9/2808; E02F 9/2841
See application file for complete search history.

(56) **References Cited**

U.S. PATENT DOCUMENTS

- D339,593 S * 9/1993 Johansson D15/29
- 5,561,925 A * 10/1996 Livesay E02F 9/2825
37/452
- D391,583 S * 3/1998 Moreno D15/29
- D399,511 S * 10/1998 Launder D15/27
- D408,422 S * 4/1999 Moreno D15/29

- 6,085,448 A * 7/2000 Gale E02F 9/2825
37/452
- D460,464 S * 7/2002 Ketting D15/29
- D706,840 S * 6/2014 Renski D15/29
- D790,603 S * 6/2017 Balan D15/29
- D790,604 S * 6/2017 Balan D15/29
- D790,605 S * 6/2017 Balan D15/29
- D790,606 S * 6/2017 Balan D15/29
- D803,274 S * 11/2017 Serrurier D15/29
- D803,275 S * 11/2017 Serrurier D15/29

(Continued)

Primary Examiner — Mark A Goodwin

(74) *Attorney, Agent, or Firm* — Haynes and Boone, LLP

(57) **CLAIM**

The ornamental design for a ground engaging wear member, as shown and described.

DESCRIPTION

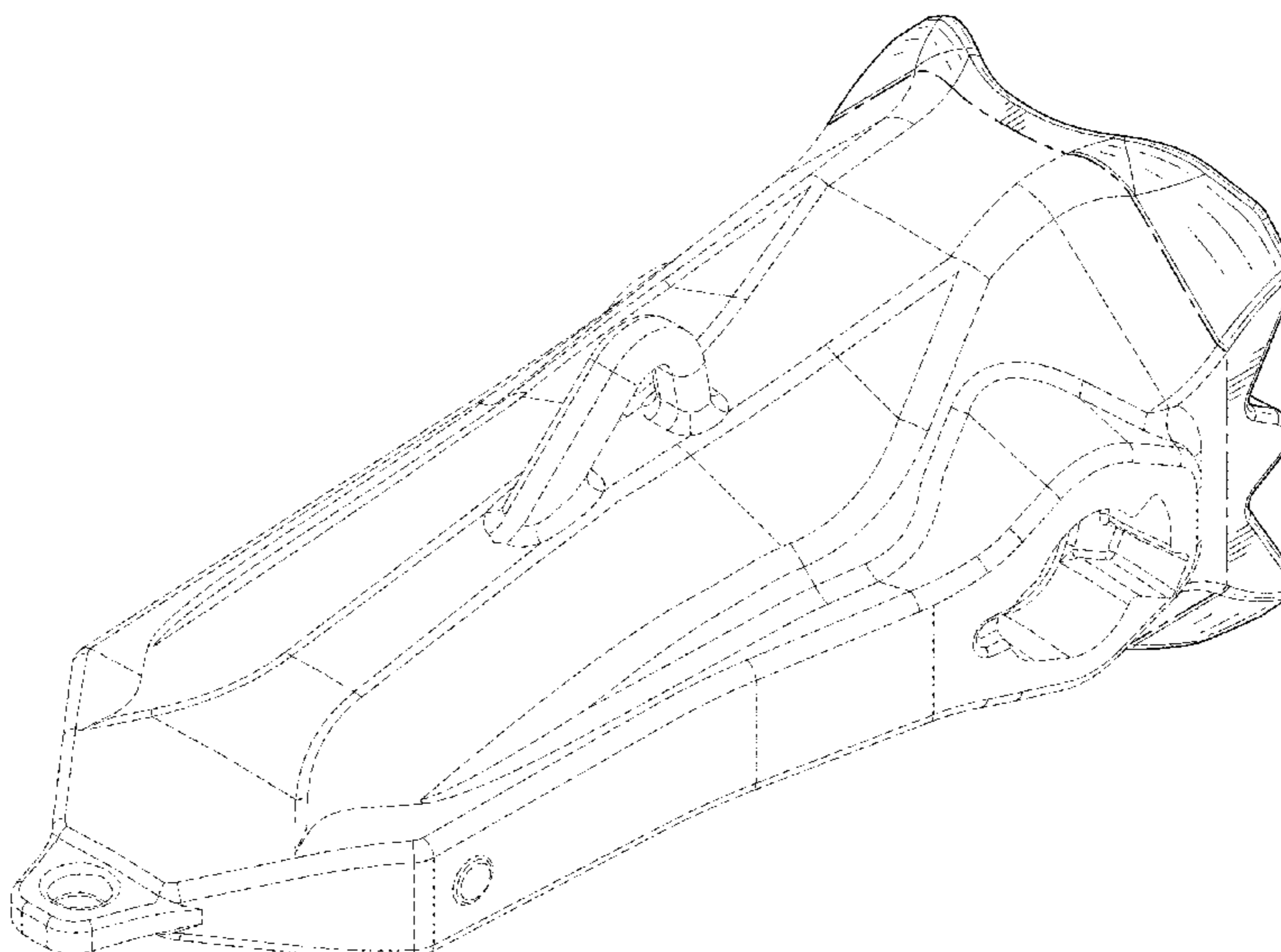
This application is related to U.S. application Ser. No. 29/653,832, filed Jun. 19, 2018, the entire disclosure of which is hereby incorporated herein by reference.

FIG. 1 is a top right perspective view of a ground engaging wear member showing my new design;
FIG. 2 is a front elevational view thereof;
FIG. 3 is a rear elevational view thereof;
FIG. 4 is a right side elevational view thereof;
FIG. 5 is a left side elevational view thereof;
FIG. 6 is a top plan view thereof;
FIG. 7 is a bottom plan view thereof;
FIG. 8 is a bottom right perspective view thereof;
FIG. 9 is a right front perspective view thereof; and,
FIG. 10 is a right rear perspective view thereof.

The short-dash broken lines shown in FIGS. 1-10 illustrate unclaimed portions of the ground engaging wear member and form no part of the claimed design.

The long-dash/short-dash broken lines shown in FIGS. 1, 2, and 4-10 are boundary lines and form no part of the claimed design.

1 Claim, 9 Drawing Sheets



(56)

References Cited

U.S. PATENT DOCUMENTS

D803,898	S	*	11/2017	Serrurier	D15/29
D803,899	S	*	11/2017	Serrurier	D15/29
D803,900	S	*	11/2017	Serrurier	D15/29
D803,902	S	*	11/2017	Serrurier	D15/29
D805,112	S	*	12/2017	Serrurier	D15/29
2003/0005606	A1	*	1/2003	Carpenter	E02F 9/2833 37/452

* cited by examiner

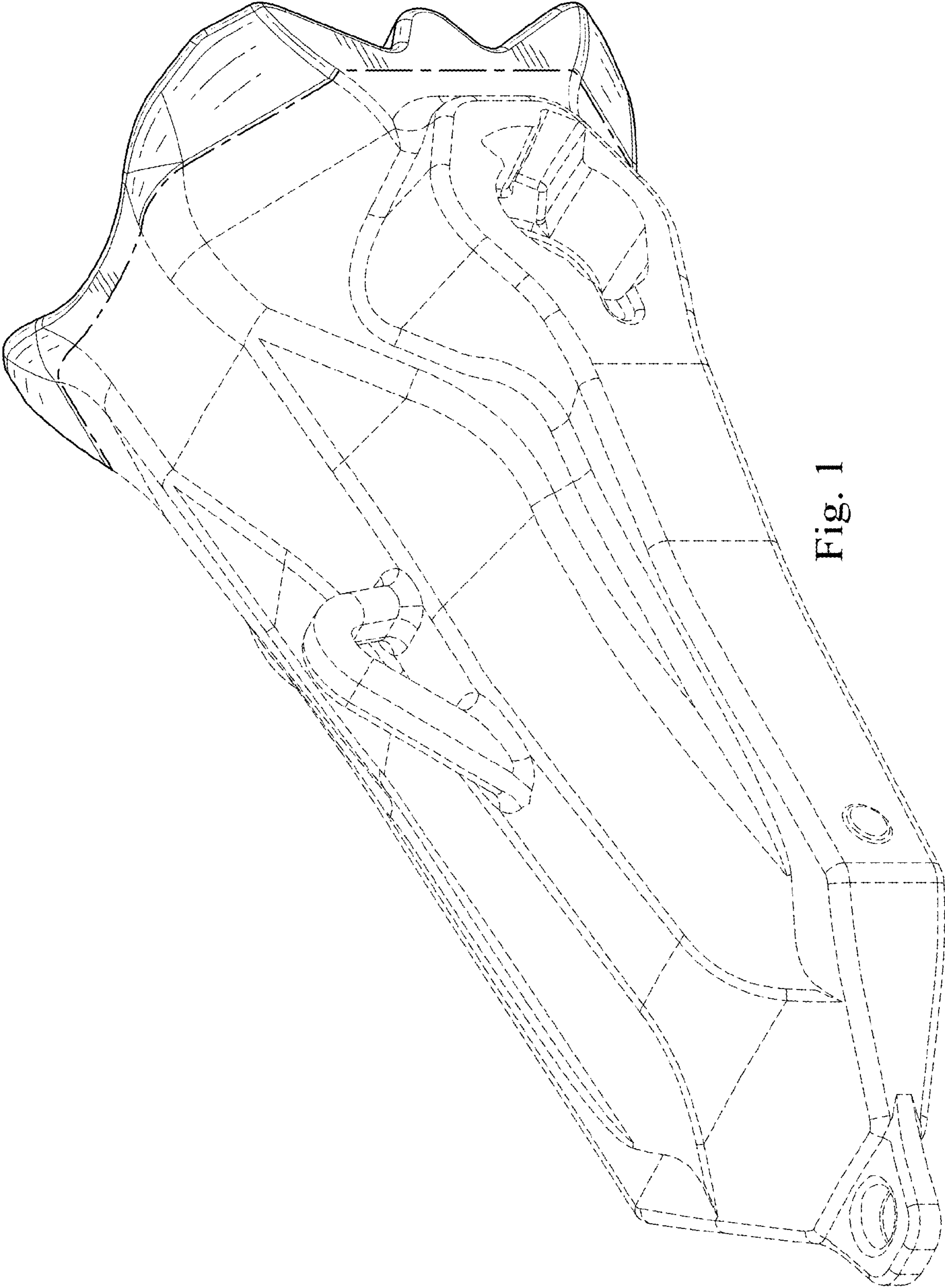


Fig. 1

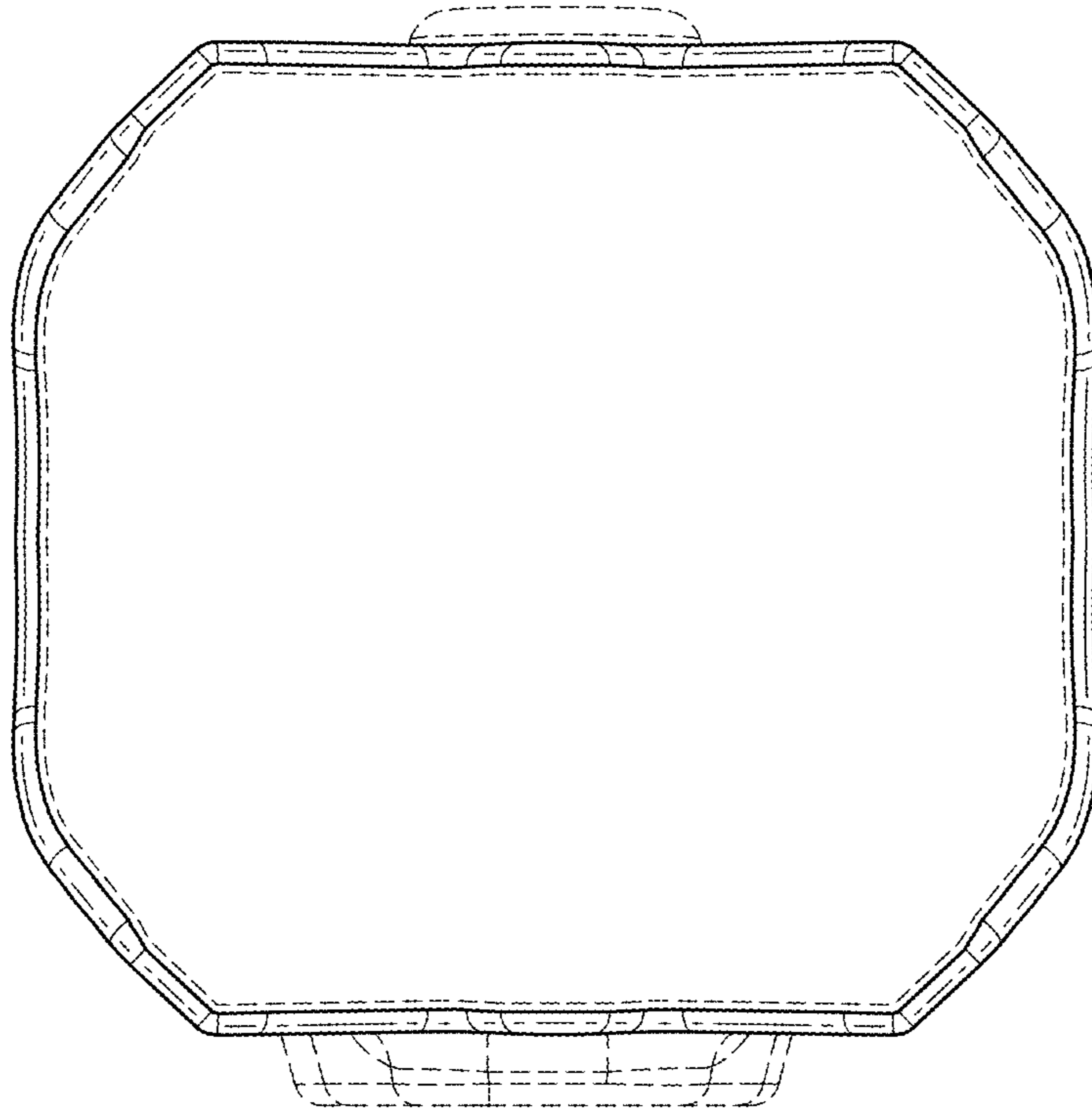


Fig. 3

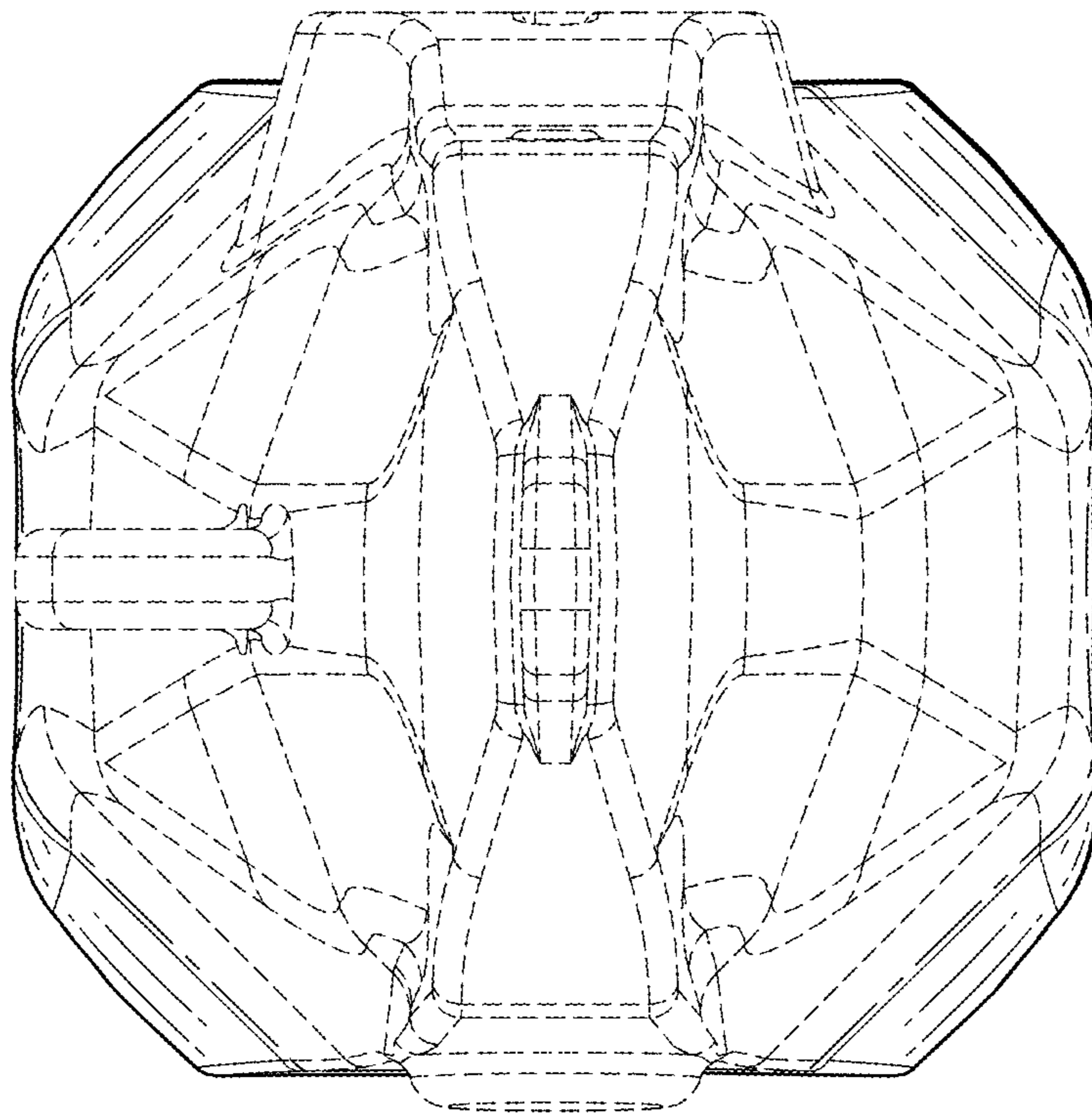


Fig. 2

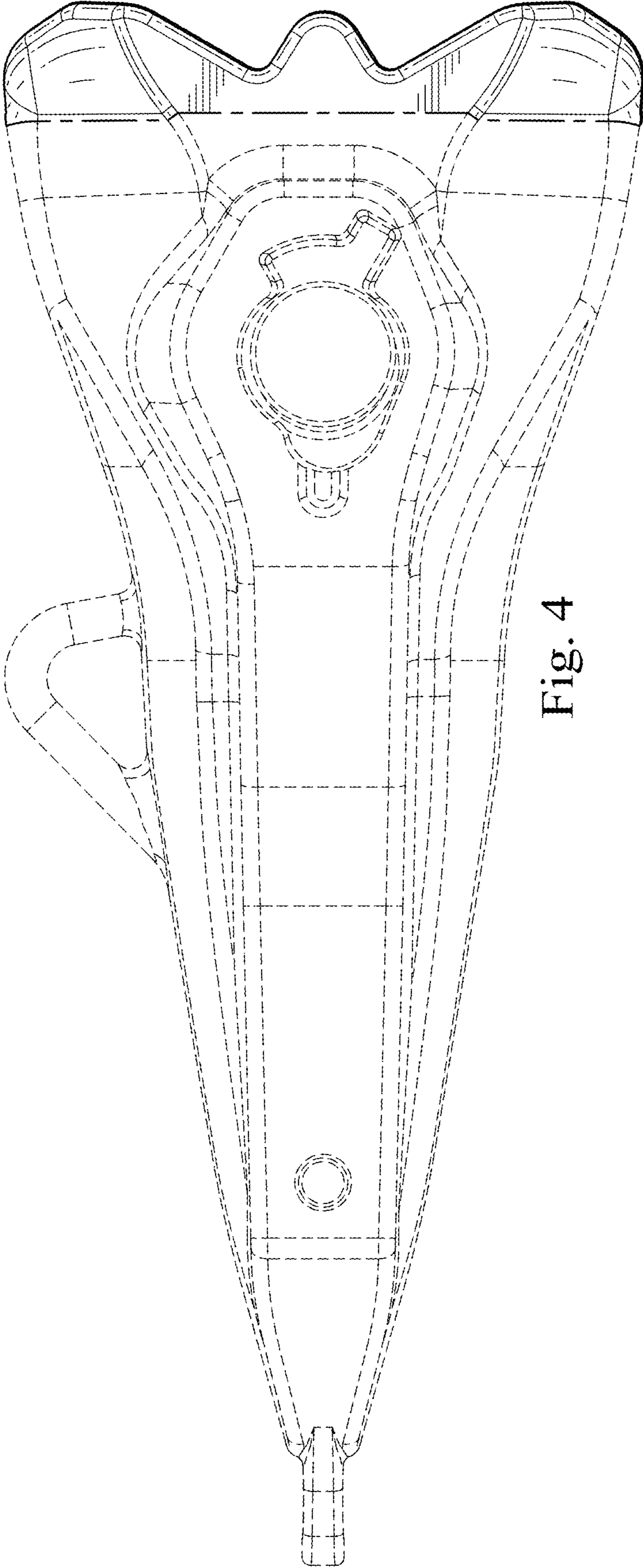


Fig. 4

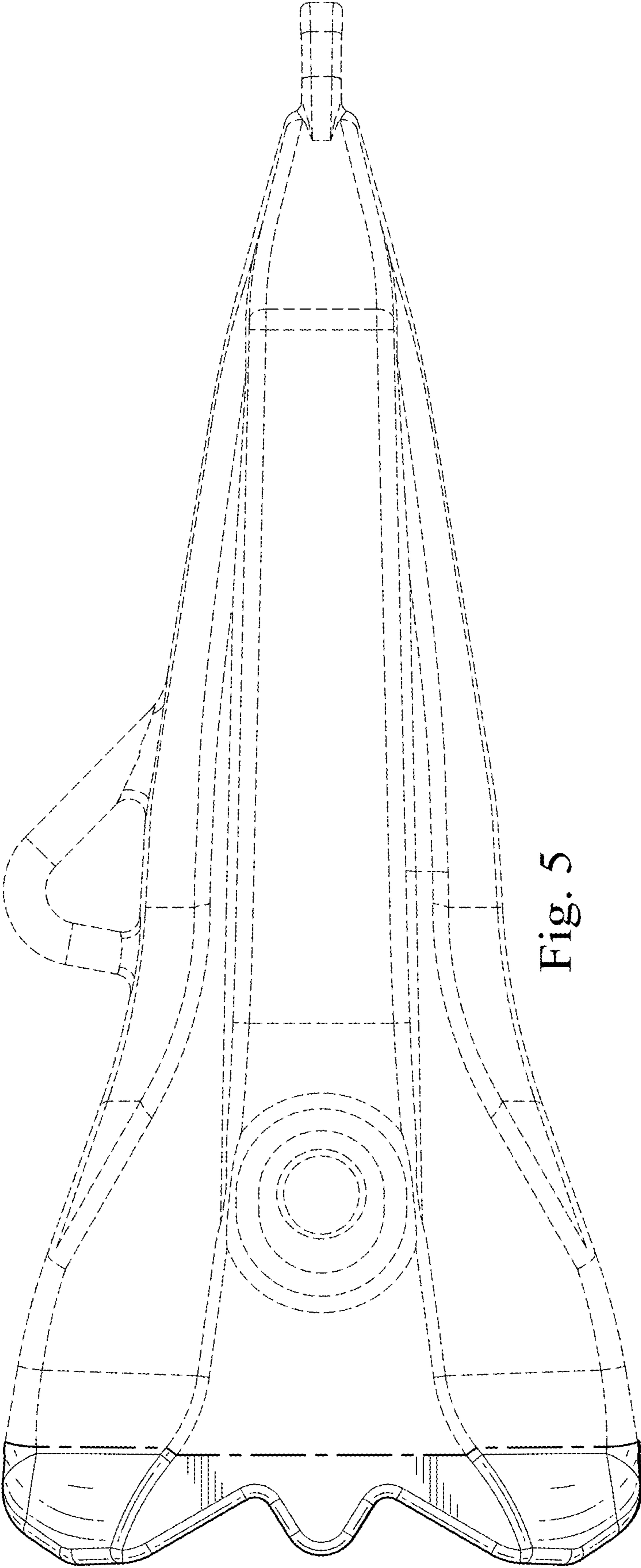


Fig. 5

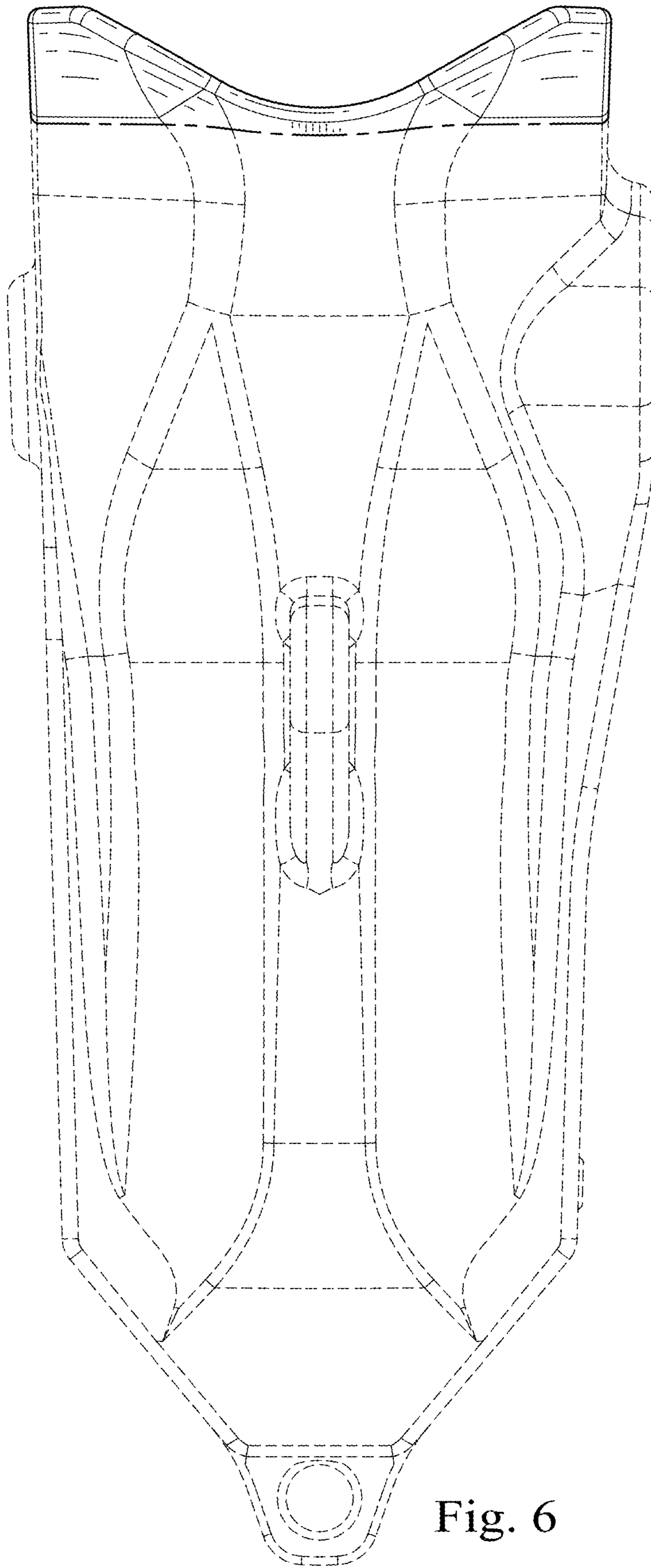


Fig. 6

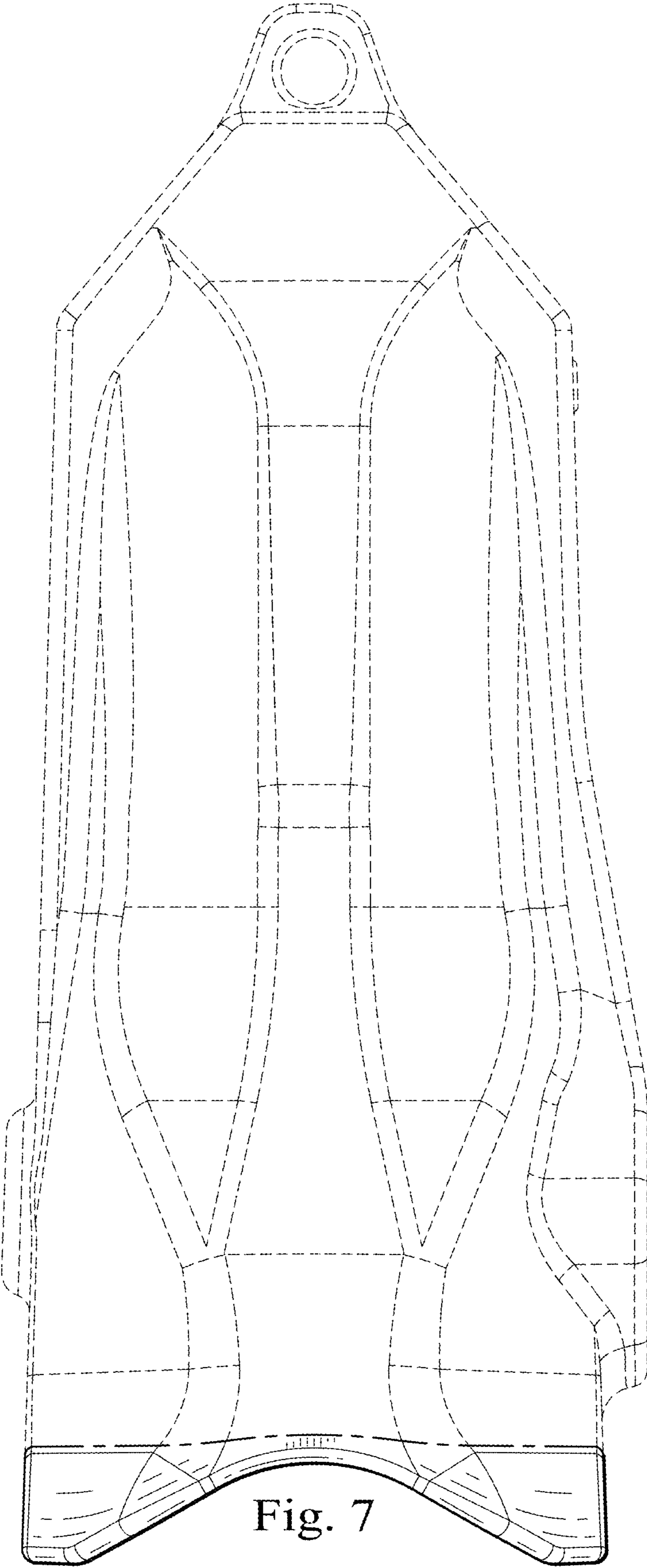


Fig. 7

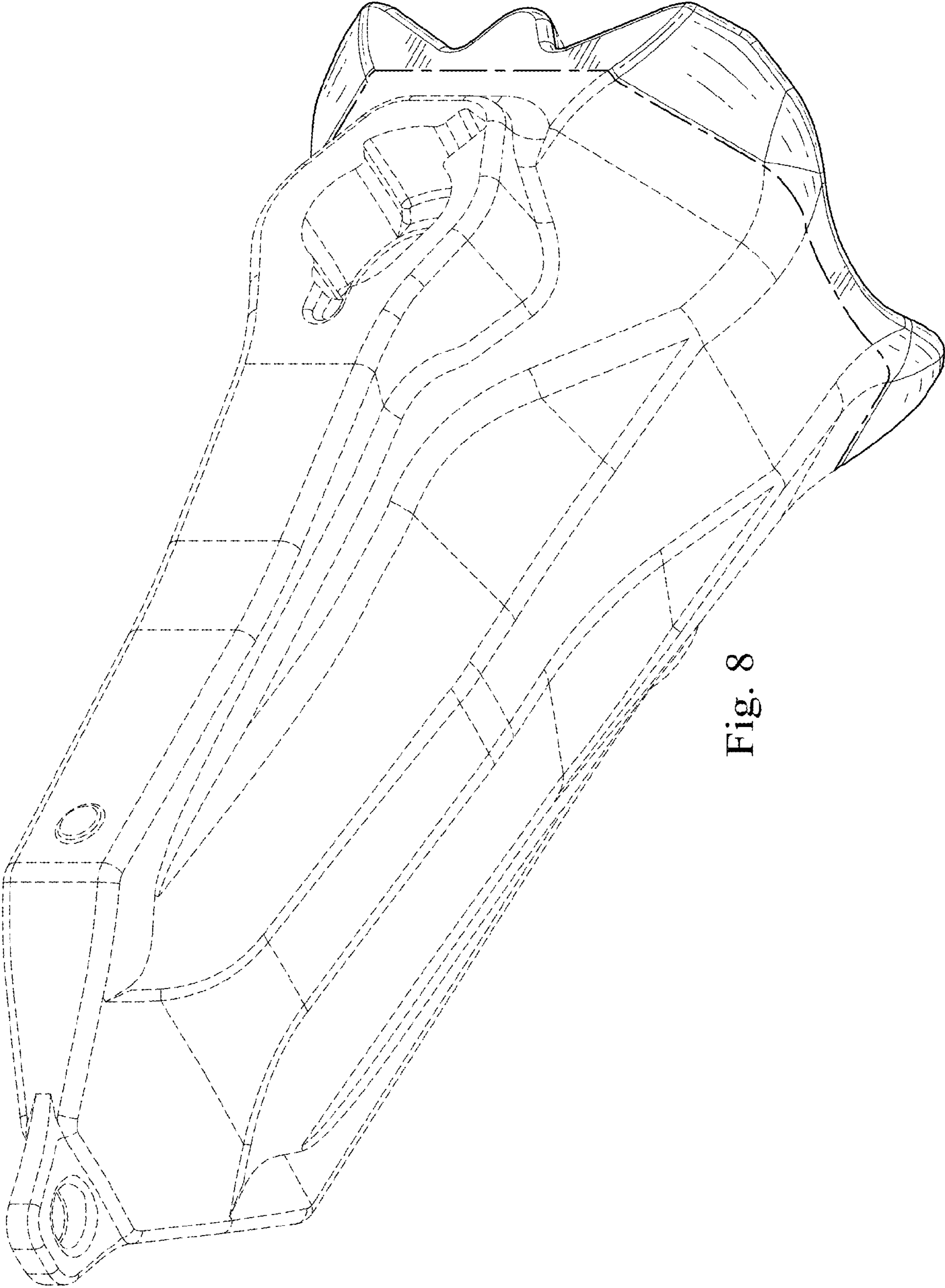


Fig. 8

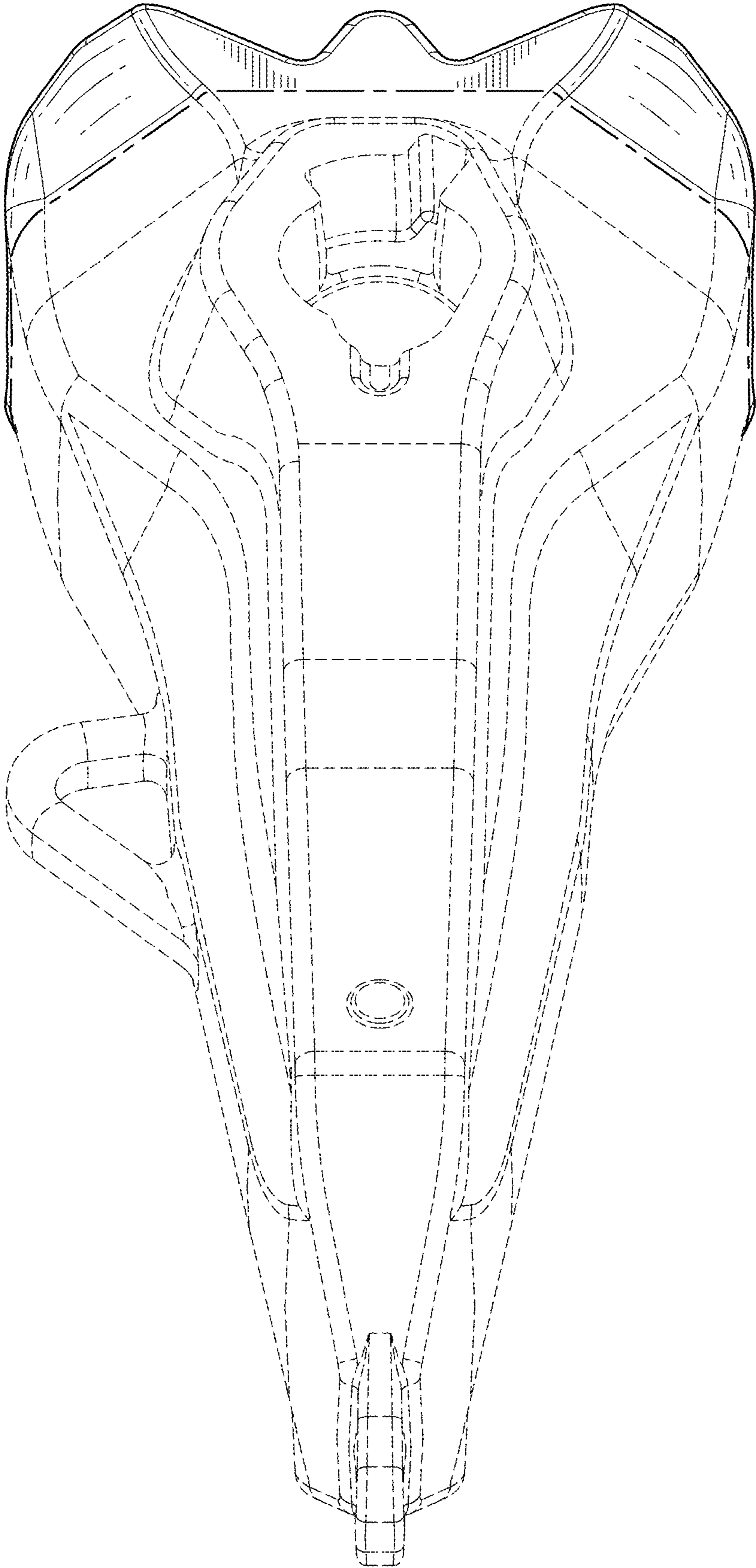


Fig. 9

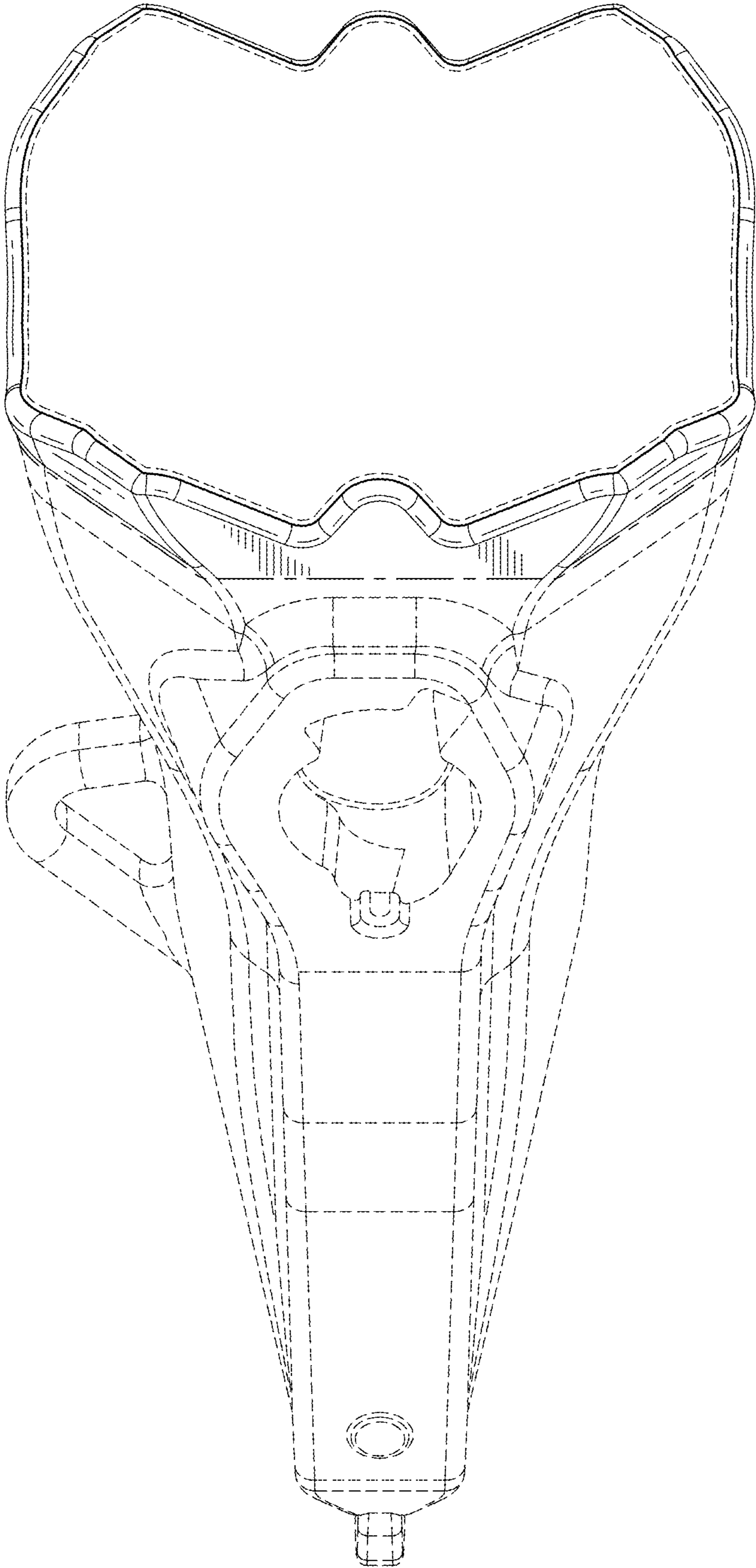


Fig. 10