



US00D918965S

(12) **United States Design Patent**
Bilal

(10) **Patent No.:** **US D918,965 S**

(45) **Date of Patent:** **** May 11, 2021**

(54) **GROUND ENGAGING WEAR MEMBER**

(71) Applicant: **Hensley Industries, Inc.**, Dallas, TX
(US)

(72) Inventor: **Mohamad Bilal**, Little Elm, TX (US)

(73) Assignee: **HENSLEY INDUSTRIES, INC.**,
Dallas, TX (US)

(**) Term: **15 Years**

(21) Appl. No.: **29/653,834**

(22) Filed: **Jun. 19, 2018**

(51) **LOC (13) Cl.** **15-03**

(52) **U.S. Cl.**
USPC **D15/29; D15/28**

(58) **Field of Classification Search**
USPC D15/11, 28, 29; 37/456, 452, 450, 446,
37/454, 449, 453, 455, 903; 403/379.5,
(Continued)

(56) **References Cited**

U.S. PATENT DOCUMENTS

2,259,456 A 5/1940 Crawford
2,250,904 A 7/1941 Coffman
(Continued)

FOREIGN PATENT DOCUMENTS

DE 1345100 A1 7/1995
GB 942987 A 11/1963

OTHER PUBLICATIONS

International Search Report and Written Opinion for Application
No. PCT/US2017/032242 dated Aug. 14, 2017.

(Continued)

Primary Examiner — Mark A Goodwin

(74) *Attorney, Agent, or Firm* — Haynes and Boone, LLP

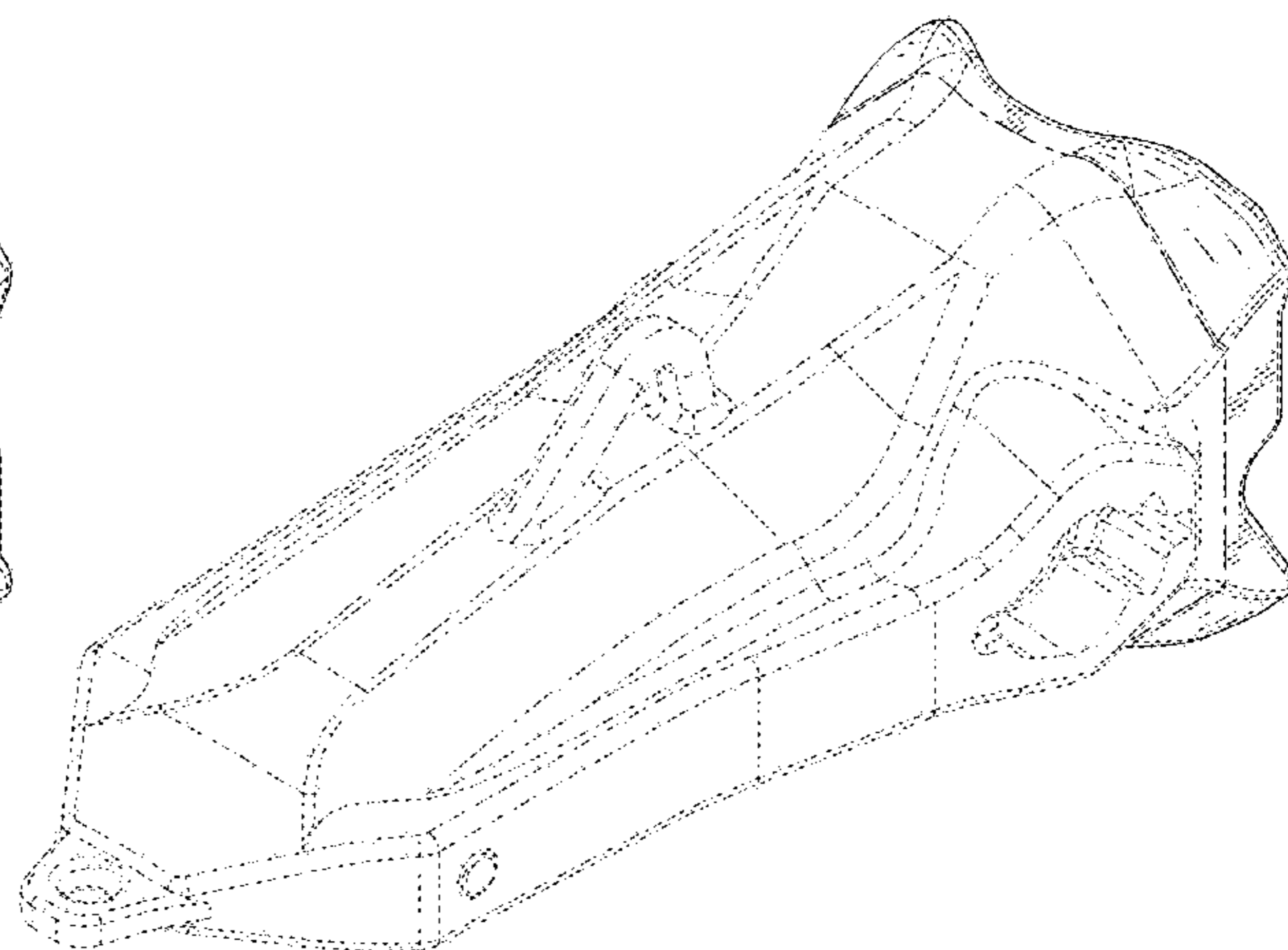
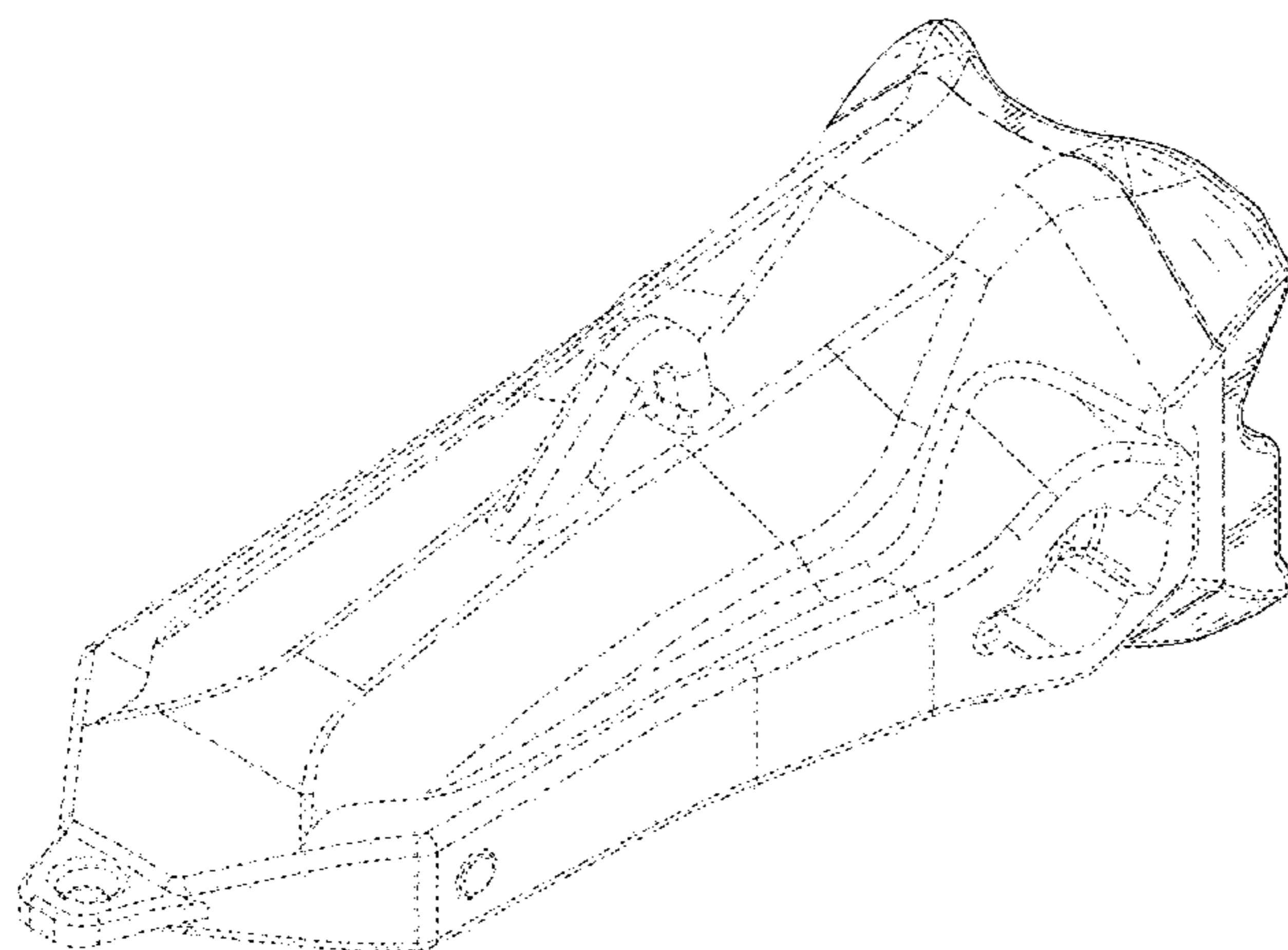
(57) **CLAIM**

The ornamental design for a ground engaging wear member,
as shown and described.

DESCRIPTION

FIG. 1 is a top right perspective view of a ground engaging wear member showing my new design according to a first embodiment;
FIG. 2 is a front elevational view of the first embodiment;
FIG. 3 is a rear elevational view of the first embodiment;
FIG. 4 is a right side elevational view of the first embodiment;
FIG. 5 is a left side elevational view of the first embodiment;
FIG. 6 is a top plan view of the first embodiment;
FIG. 7 is a bottom plan view of the first embodiment;
FIG. 8 is a bottom right perspective view of the first embodiment;
FIG. 9 is a right front perspective view of the first embodiment;
FIG. 10 is a right rear perspective view of the first embodiment;
FIG. 11 is a top right perspective view of the ground engaging wear member showing my new design according to a second embodiment;
FIG. 12 is a front elevational view of the second embodiment;
FIG. 13 is a rear elevational view of the second embodiment;
FIG. 14 is a right side elevational view of the second embodiment;
FIG. 15 is a left side elevational view of the second embodiment;
FIG. 16 is a top plan view of the second embodiment;
FIG. 17 is a bottom plan view of the second embodiment;
FIG. 18 is a bottom right perspective view of the second embodiment;
FIG. 19 is a right front perspective view of the second embodiment; and
FIG. 20 is a right rear perspective view of the second embodiment.
The short-dash broken lines shown in FIGS. 1-20 illustrate unclaimed portions of the ground engaging wear member and form no part of the claimed design.

(Continued)



The long-dash/short-dash broken lines shown in FIGS. 1, 2, 4-12, and 14-20 are boundary lines and form no part of the claimed design.

1 Claim, 18 Drawing Sheets

(58) **Field of Classification Search**

USPC 403/DIG. 1; 111/152; 172/724, 730, 172/766, 770, 771, 721, 713, 699, 772
 CPC Y10T 29/49826; Y10T 403/589; Y10T 403/7018; Y10T 403/7075; E02F 9/28; E02F 9/2825; E02F 9/2833; E02F 9/2866; E02F 9/2858; E02F 9/2808; E02F 9/2841
 See application file for complete search history.

(56) **References Cited**

U.S. PATENT DOCUMENTS

3,117,386	A	1/1964	Ferwerda	
3,496,658	A	2/1970	Eyolfson	
3,508,352	A	4/1970	Radwill	
4,133,121	A	1/1979	Hemphill	
4,404,760	A	9/1983	Hahn et al.	
4,481,728	A	11/1984	Mulder et al.	
4,716,667	A	1/1988	Martin	
4,823,487	A	4/1989	Robinson	
5,016,365	A	5/1991	Robinson	
5,075,986	A	12/1991	Smith et al.	
5,144,762	A	9/1992	Robinson	
5,233,770	A	8/1993	Robinson	
D339,593	S *	9/1993	Johansson	D15/29
5,361,520	A	11/1994	Robinson	
5,394,629	A	3/1995	Ruvang et al.	
5,423,138	A	6/1995	Livesay et al.	
D363,074	S	10/1995	Ruvang	
D365,109	S	12/1995	Robinson et al.	
D365,577	S	12/1995	Ruvang	
5,491,915	A	2/1996	Robinson	
5,561,925	A *	10/1996	Livesay	E02F 9/2825 37/452
5,718,070	A	2/1998	Ruvang	
D391,583	S *	3/1998	Moreno	D15/29
D399,511	S *	10/1998	Lauder	D15/27
D408,422	S *	4/1999	Moreno	D15/29
5,918,391	A	7/1999	Vinas Peya	
5,937,550	A	8/1999	Emrich	
6,018,896	A	2/2000	Adamic	
6,051,529	A	3/2000	Ruvang	
6,085,448	A *	7/2000	Gale	E02F 9/2825 37/452
6,108,950	A	8/2000	Ruvang et al.	
6,209,238	B1	4/2001	Ruvang	
6,240,663	B1	6/2001	Robinson	
6,247,255	B1	6/2001	Clendenning	
D446,224	S	8/2001	Clendenning	
D447,154	S	8/2001	Clendenning	
6,321,471	B2	11/2001	Fernandez Munoz et al.	
6,393,739	B1	5/2002	Shamblin et al.	
D460,464	S *	7/2002	Ketting	D15/29
6,439,796	B1	8/2002	Ruvang et al.	
D471,565	S	3/2003	Toral Rodreiguez	
6,564,482	B2	5/2003	Ruvang	
6,708,431	B2	3/2004	Robinson et al.	
6,735,890	B2	5/2004	Carpenter et al.	
6,799,386	B2	10/2004	Robinson et al.	

6,826,855	B2	12/2004	Ruvang	
6,836,983	B2	1/2005	Pallas Moreno et al.	
6,865,828	B1	3/2005	Molino et al.	
6,976,325	B2	12/2005	Robinson et al.	
7,069,676	B2	7/2006	Robinson et al.	
7,086,185	B2	8/2006	Pasqualini et al.	
7,121,023	B2	10/2006	Robinson et al.	
7,162,818	B2	1/2007	Ruvang et al.	
7,178,274	B2	2/2007	Emrich	
D602,505	S	10/2009	Ruv	
7,603,799	B2	10/2009	Campomanes	
7,681,341	B2	3/2010	Ruvang	
D614,206	S	4/2010	Ruvang	
D614,207	S	4/2010	Ruvang	
7,707,755	B2	5/2010	Lopez Almendros et al.	
RE41,855	E	10/2010	Ruvang et al.	
7,882,649	B2	2/2011	Carpenter et al.	
7,926,207	B2	4/2011	Lopez Almendros et al.	
7,980,011	B2	7/2011	Ruvang	
8,122,621	B2	2/2012	Carpenter et al.	
8,127,475	B2	3/2012	Harder et al.	
RE43,693	E	10/2012	Emrich	
8,387,290	B2	3/2013	Campomanes et al.	
8,393,097	B2	3/2013	Harder et al.	
8,555,532	B2	10/2013	Lopez Almendros et al.	
8,689,472	B2	4/2014	Carpenter et al.	
D706,840	S *	6/2014	Renski	D15/29
8,839,535	B2	9/2014	Carpenter et al.	
8,855,532	B2	10/2014	Tonohiro	
8,898,937	B2	12/2014	Campomanes	
8,904,677	B2	12/2014	Cui	
8,959,806	B2	2/2015	Zamorano Jones	
8,997,384	B2	4/2015	Bartolome Rodriguez	
D728,635	S	5/2015	Kunz	
9,428,886	B2	8/2016	Renski et al.	
D790,603	S *	6/2017	Balan	D15/29
D790,604	S *	6/2017	Balan	D15/29
D790,605	S *	6/2017	Balan	D15/29
D790,606	S *	6/2017	Balan	D15/29
D803,274	S *	11/2017	Serrurier	D15/29
D803,275	S *	11/2017	Serrurier	D15/29
D803,898	S *	11/2017	Serrurier	D15/29
D803,899	S *	11/2017	Serrurier	D15/29
D803,900	S *	11/2017	Serrurier	D15/29
D803,902	S *	11/2017	Serrurier	D15/29
D805,112	S *	12/2017	Serrurier	D15/29
2003/0005606	A1 *	1/2003	Carpenter	E02F 9/2833 37/452
2003/0070330	A1	4/2003	Olds et al.	
2003/0101627	A1	6/2003	Robinson et al.	
2003/0140531	A1	7/2003	Pippins	
2008/0209772	A1	9/2008	Cui	
2012/0051836	A1	3/2012	Jakubisin	
2012/0260539	A1	10/2012	Guimaraes et al.	
2013/0152433	A1	6/2013	Itou et al.	
2013/0180137	A1	7/2013	Hurley et al.	
2013/0247428	A1	9/2013	Hughes	
2014/0331529	A1	11/2014	Guimaraes et al.	
2014/0360062	A1	12/2014	Marchand	
2014/0366408	A1	12/2014	Campomanes	
2015/0113839	A1	4/2015	Bilal	
2015/0337897	A1	11/2015	Griewenka	
2015/0368884	A1	12/2015	Cheyne et al.	

OTHER PUBLICATIONS

International Search Report and Written Opinion for Application No. PCT/US2017/032235 dated Jul. 18, 2017.

* cited by examiner

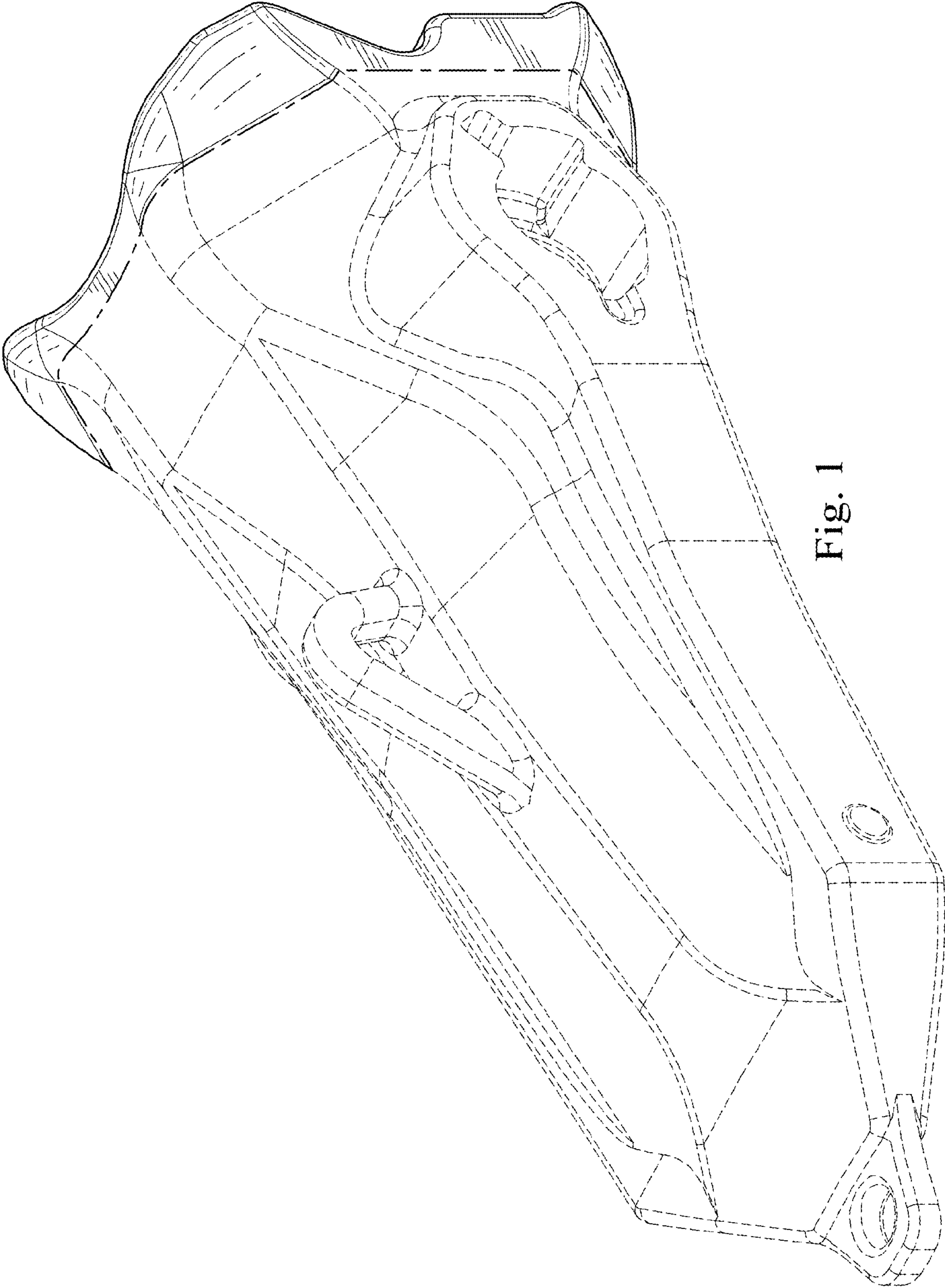


Fig. 1

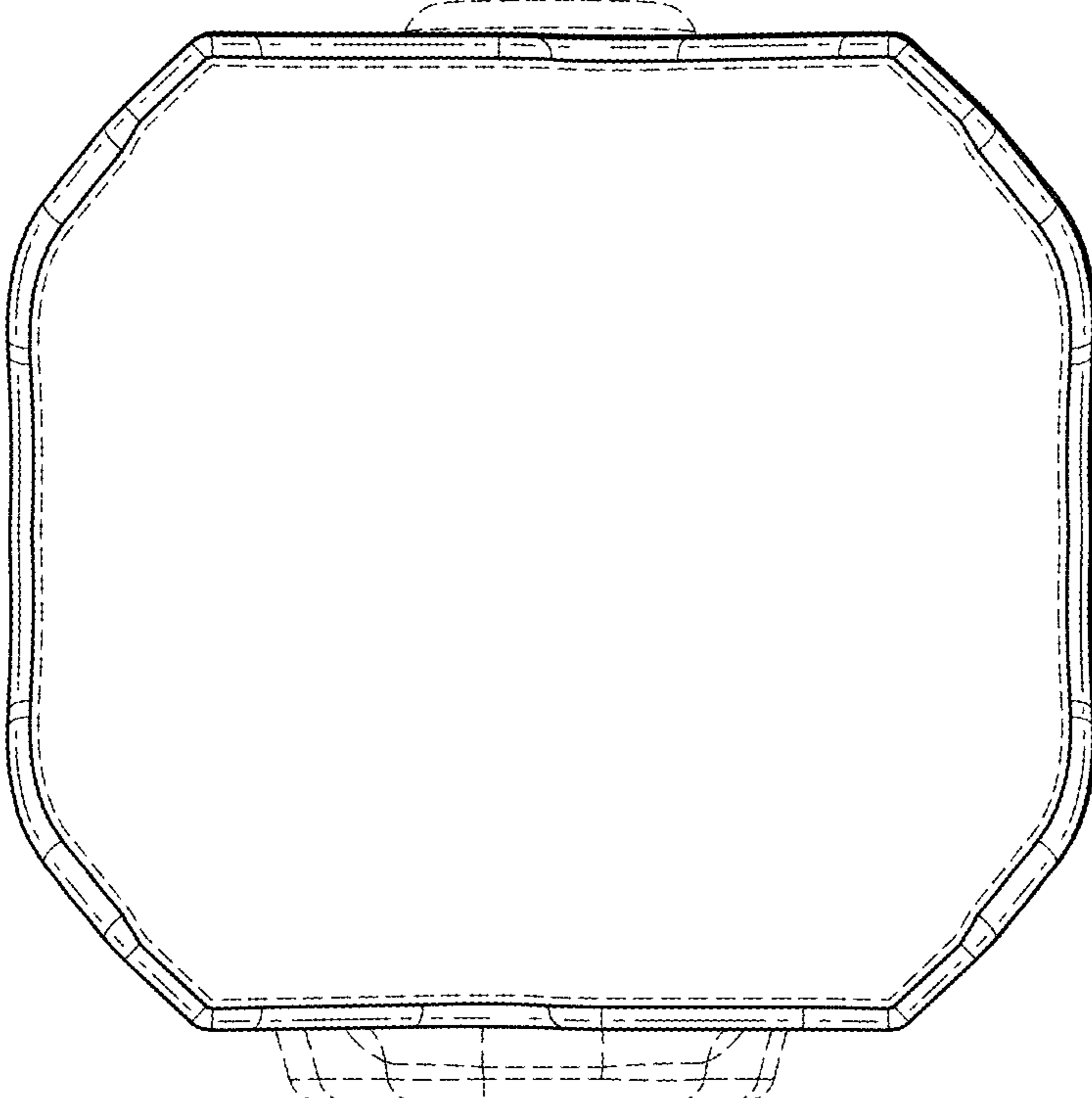


Fig. 3

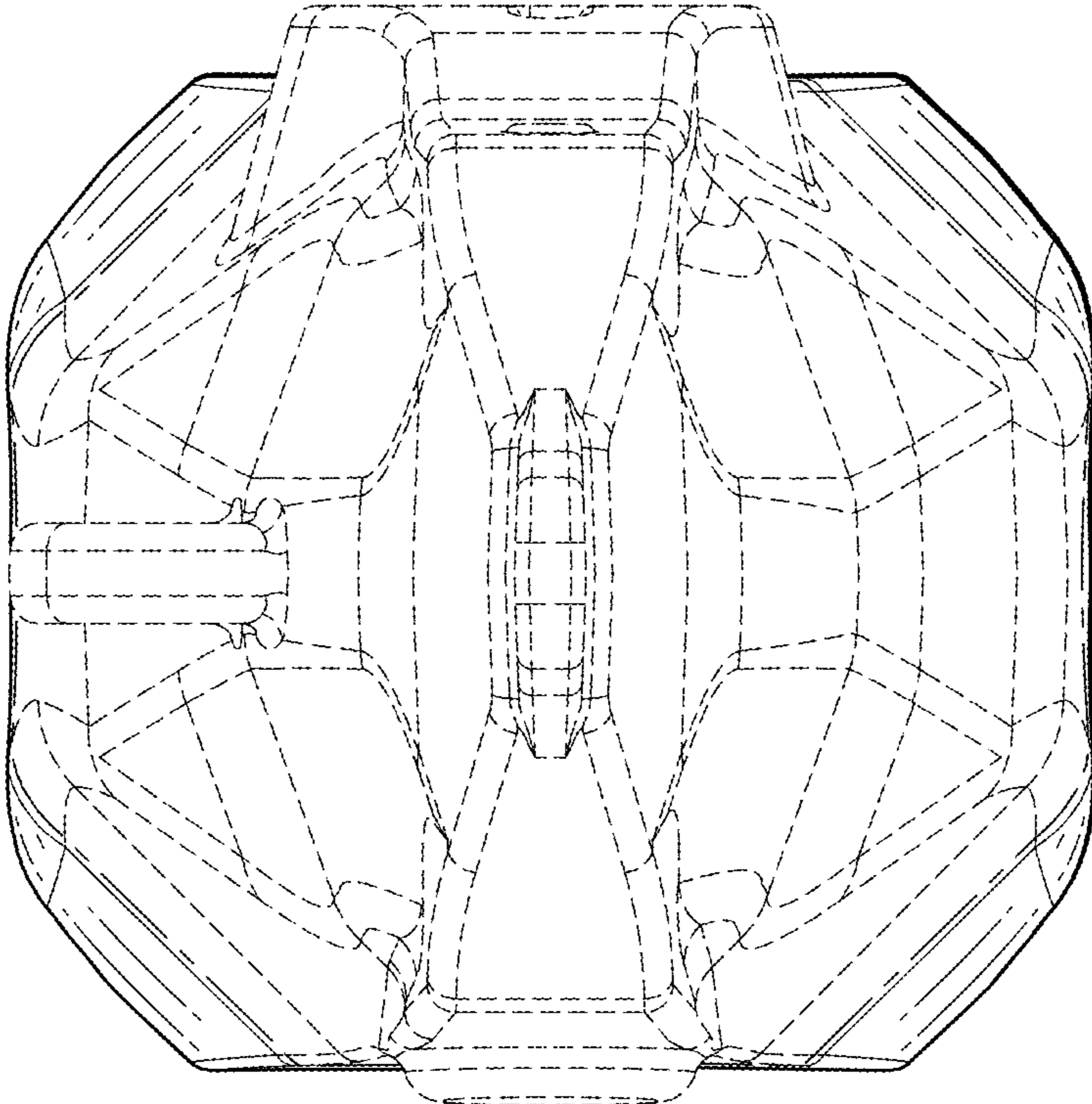


Fig. 2

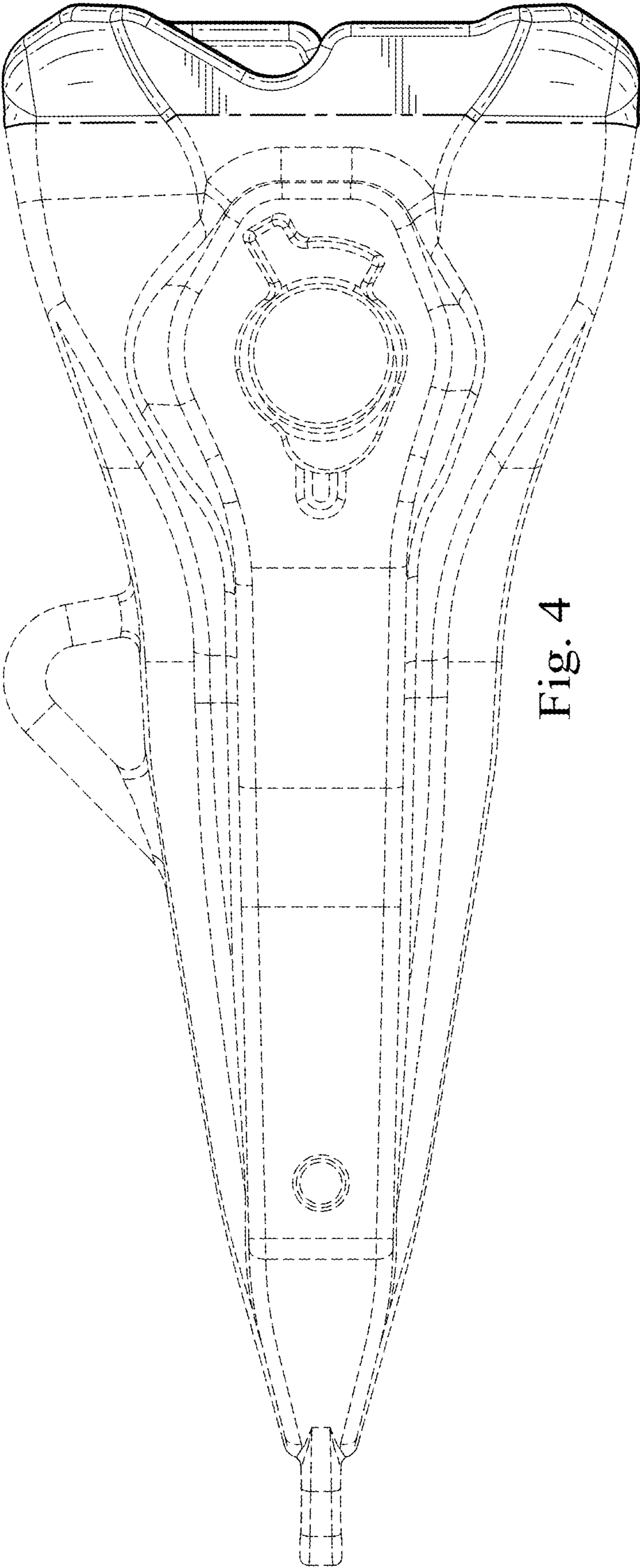


Fig. 4

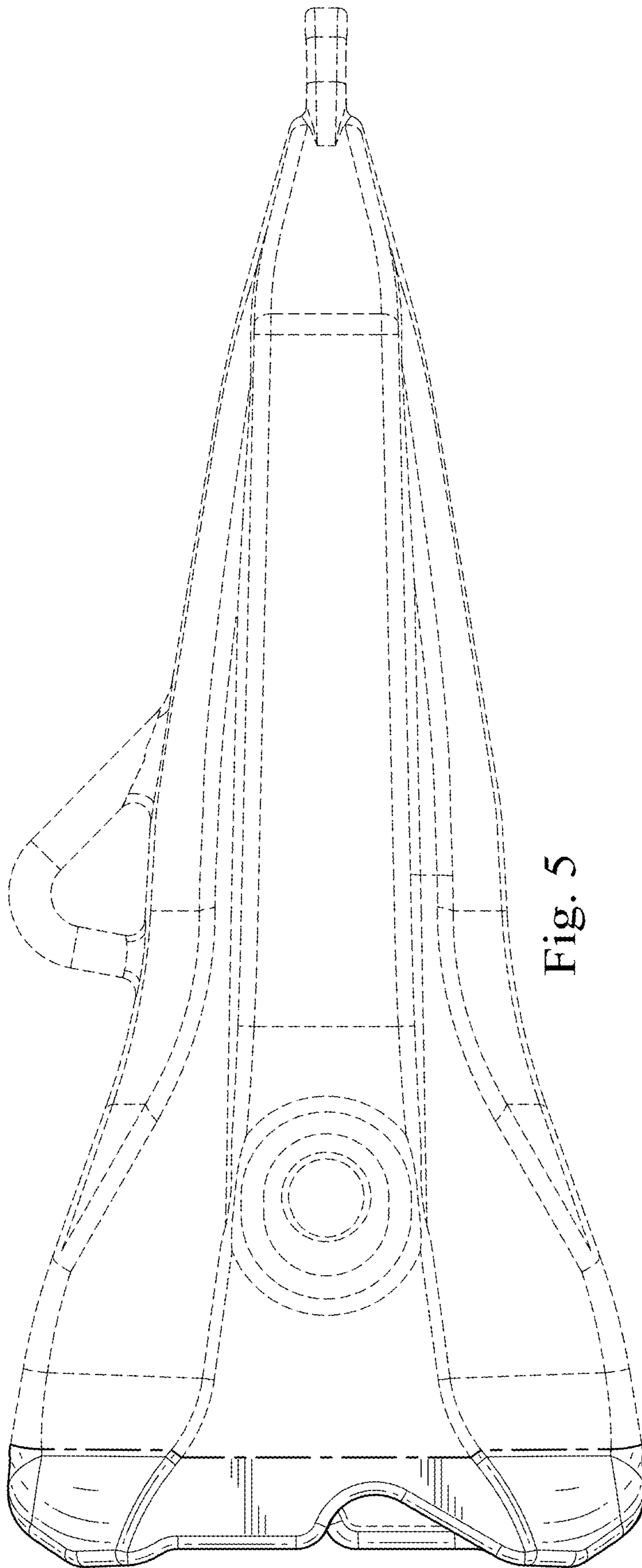


Fig. 5

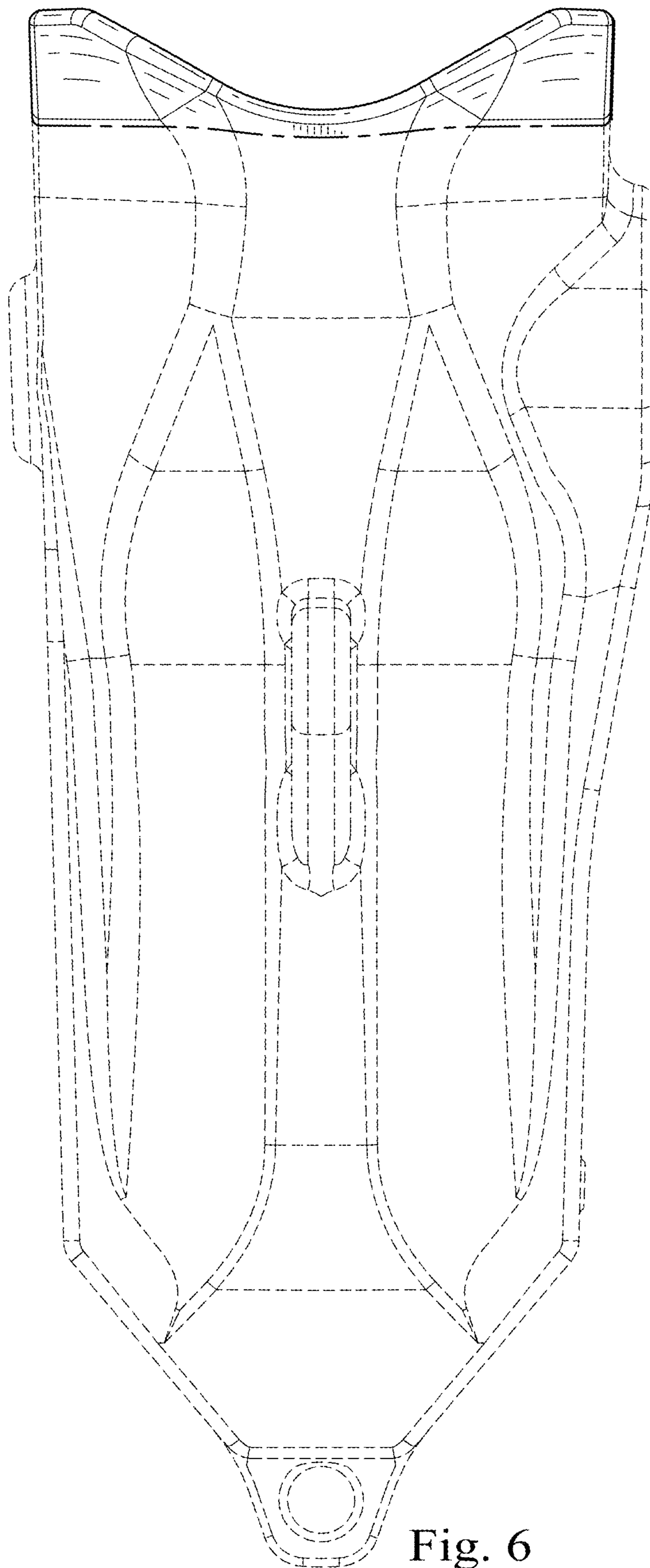


Fig. 6

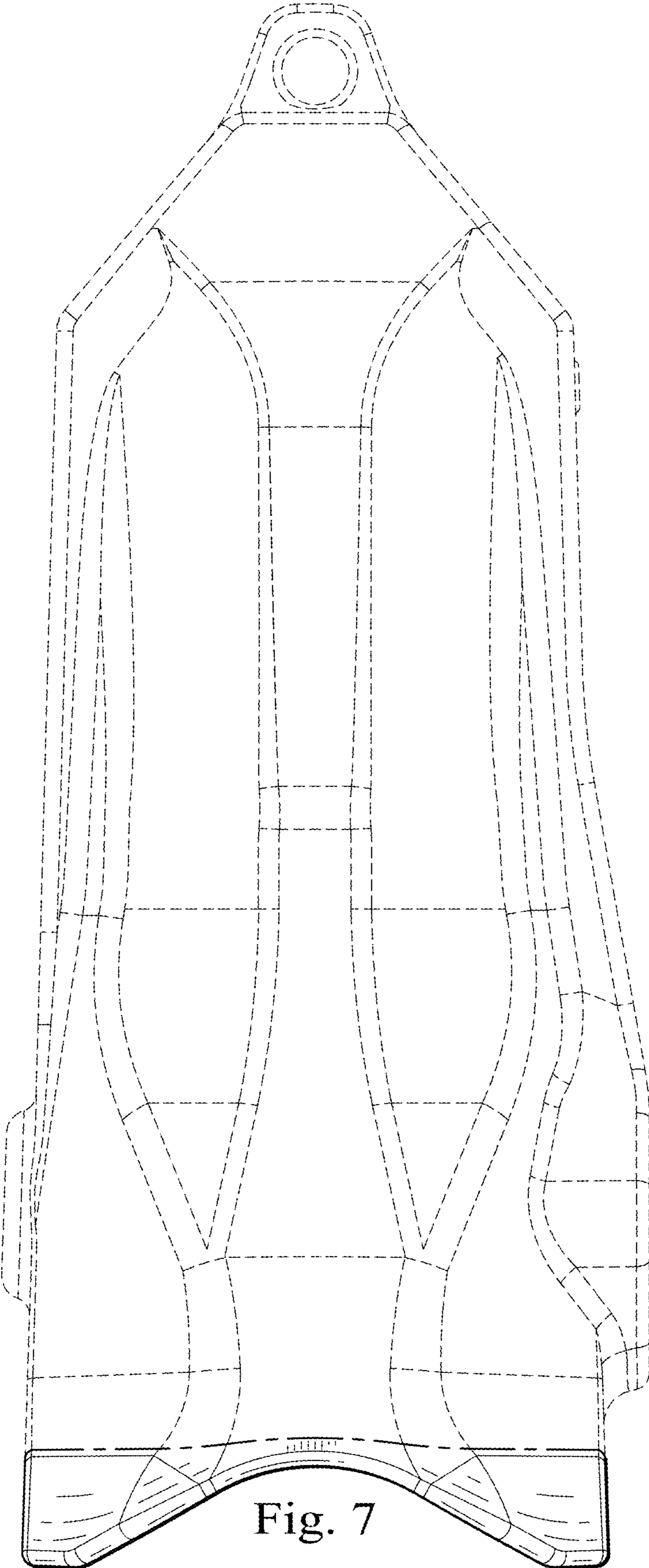


Fig. 7

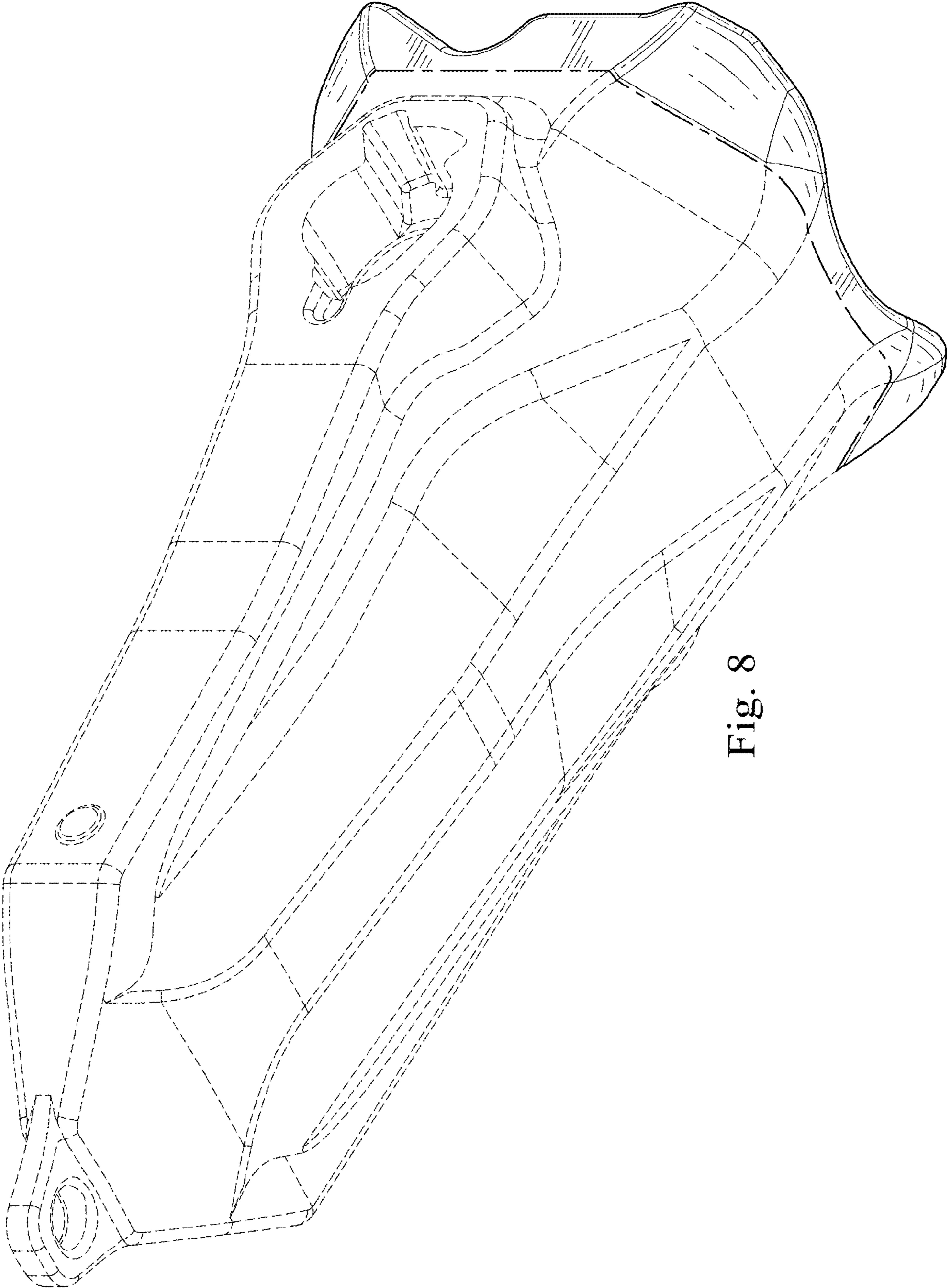


Fig. 8

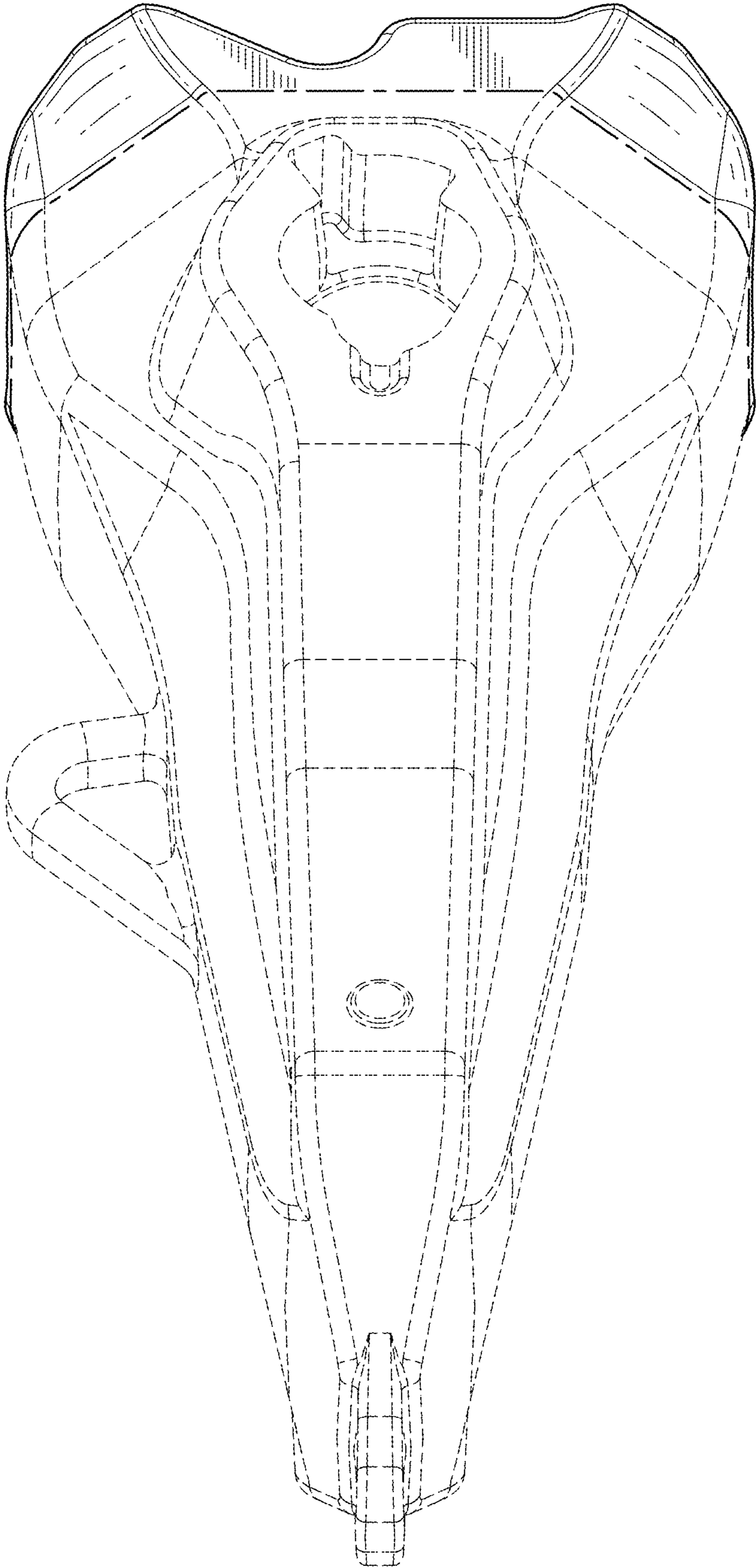


Fig. 9

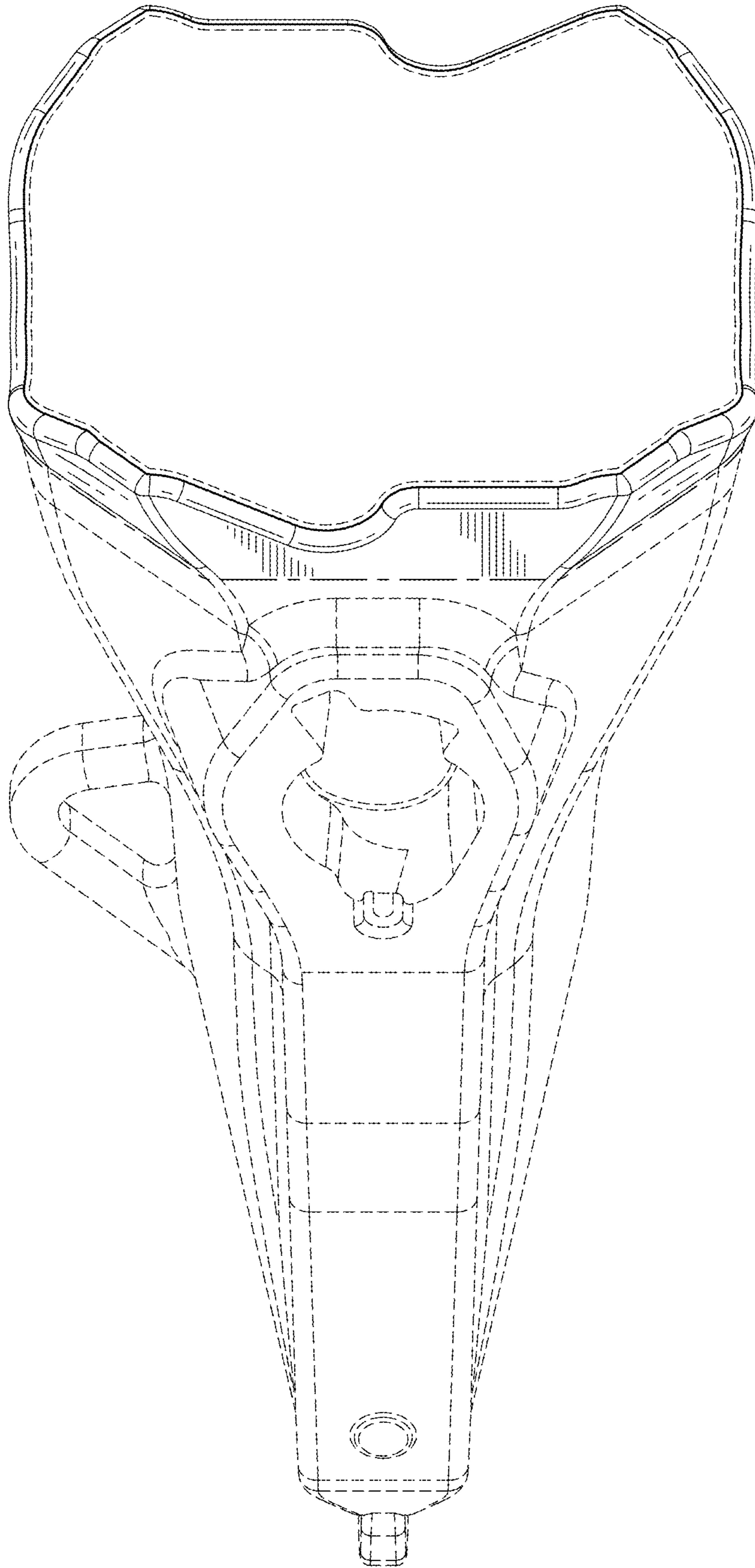


Fig. 10

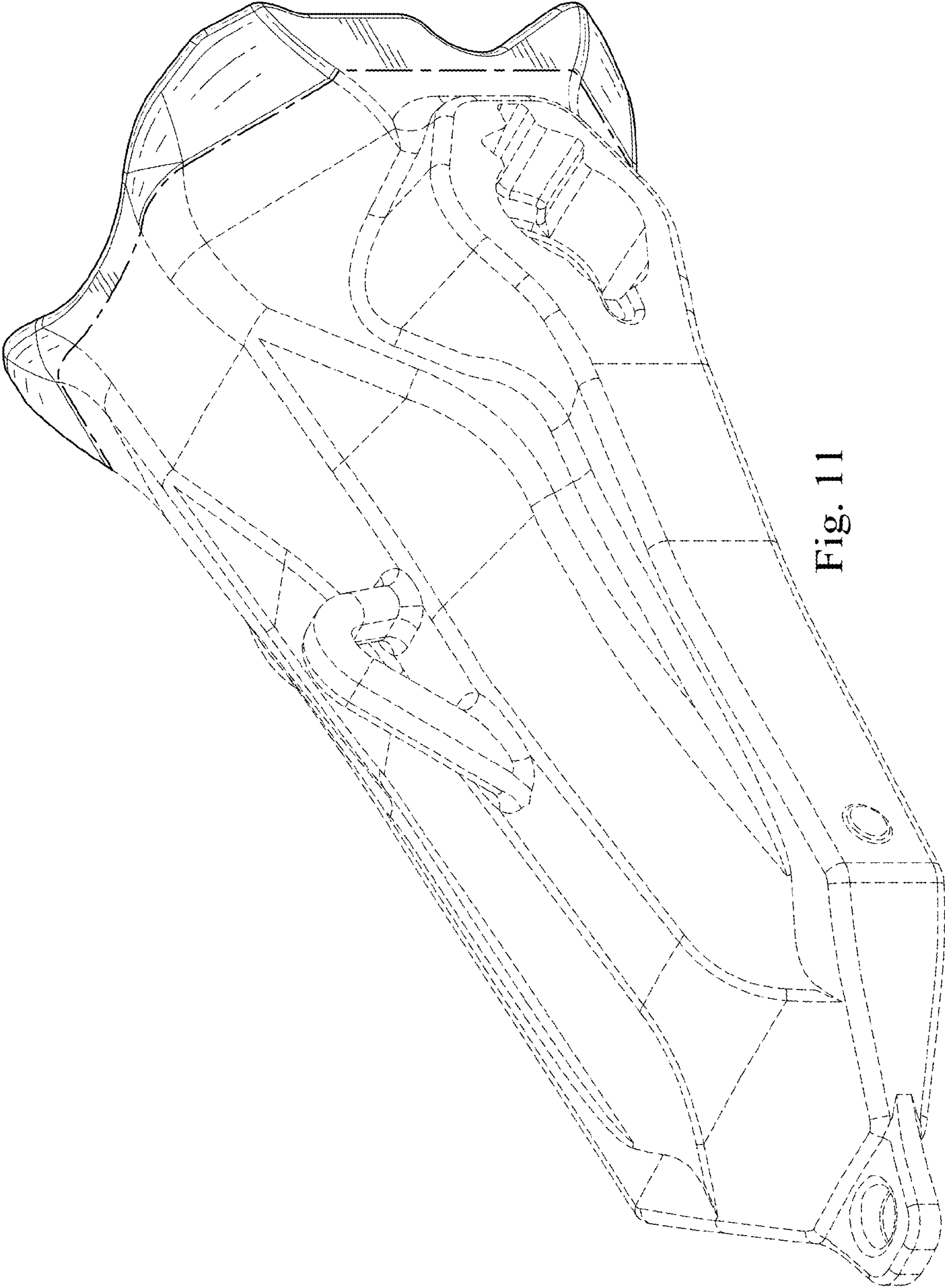


Fig. 11

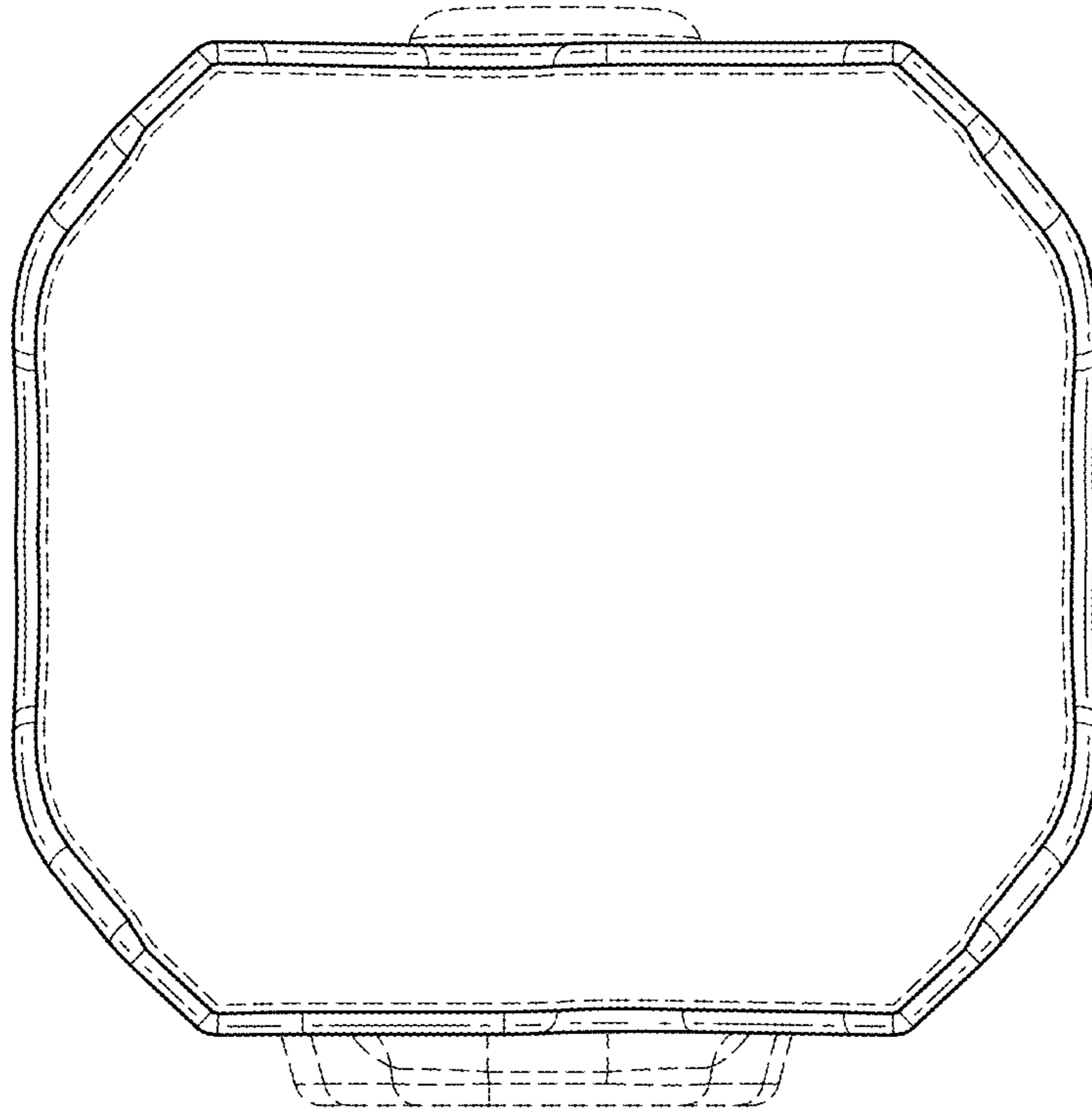


Fig. 13

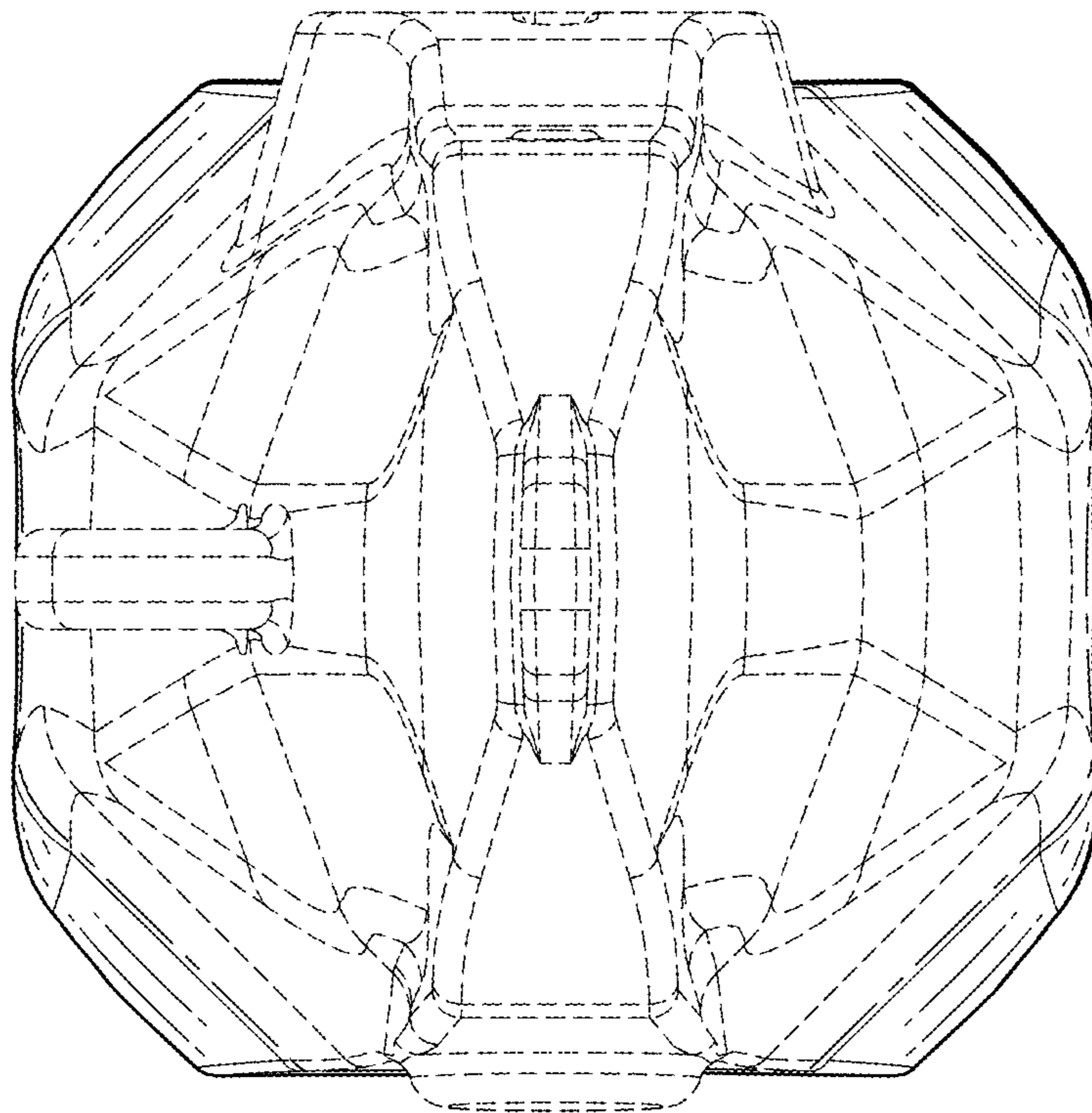


Fig. 12

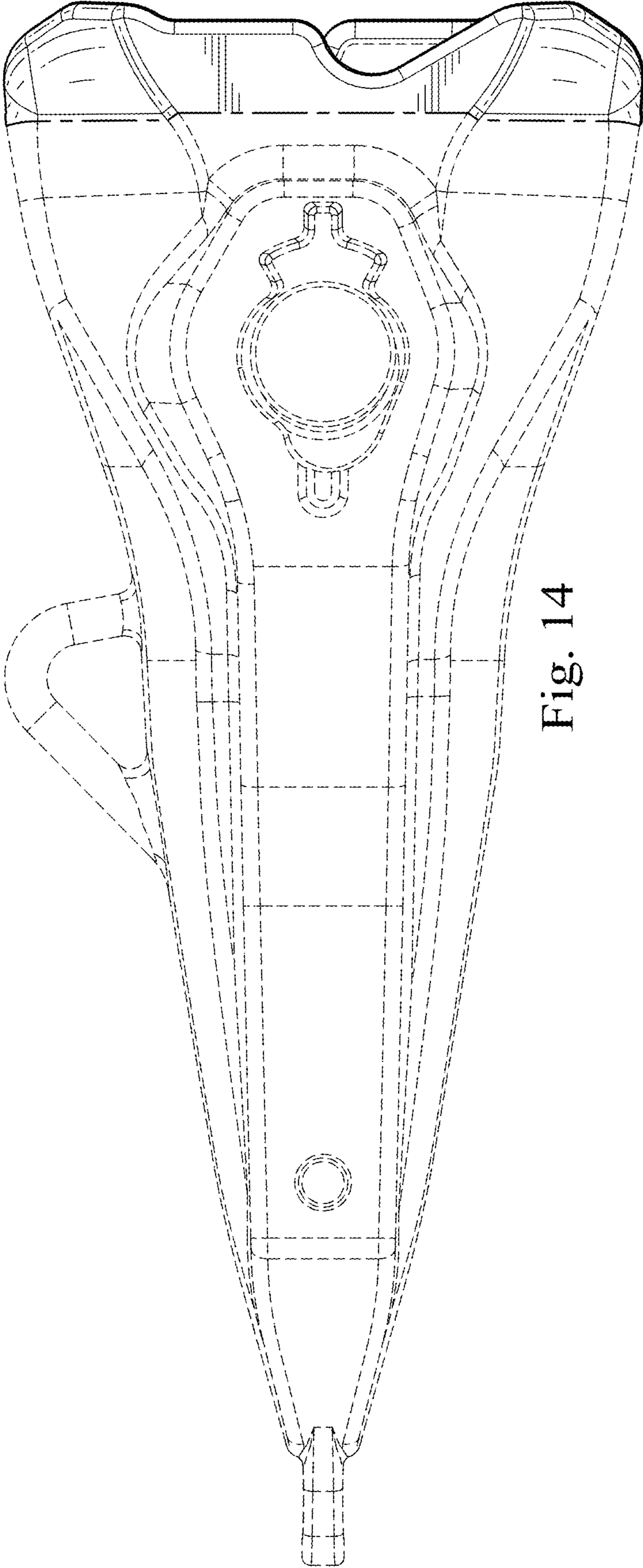


Fig. 14

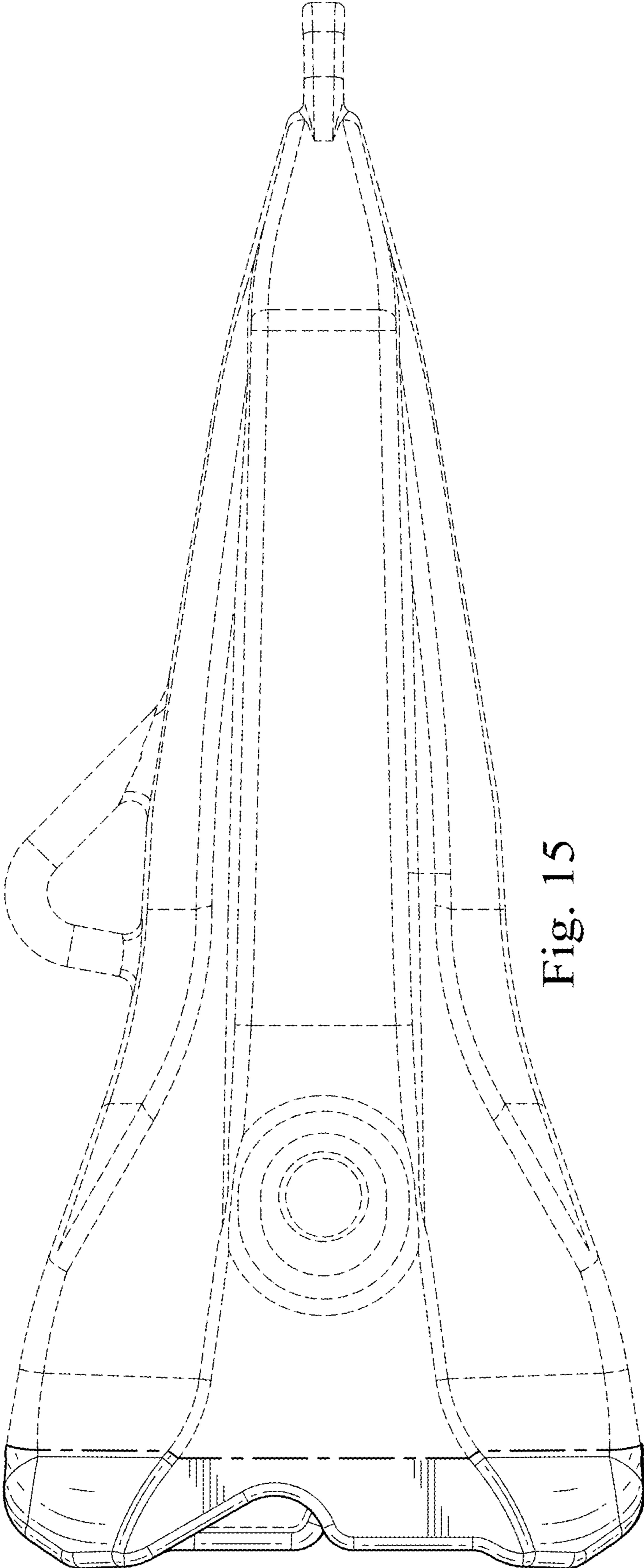


Fig. 15

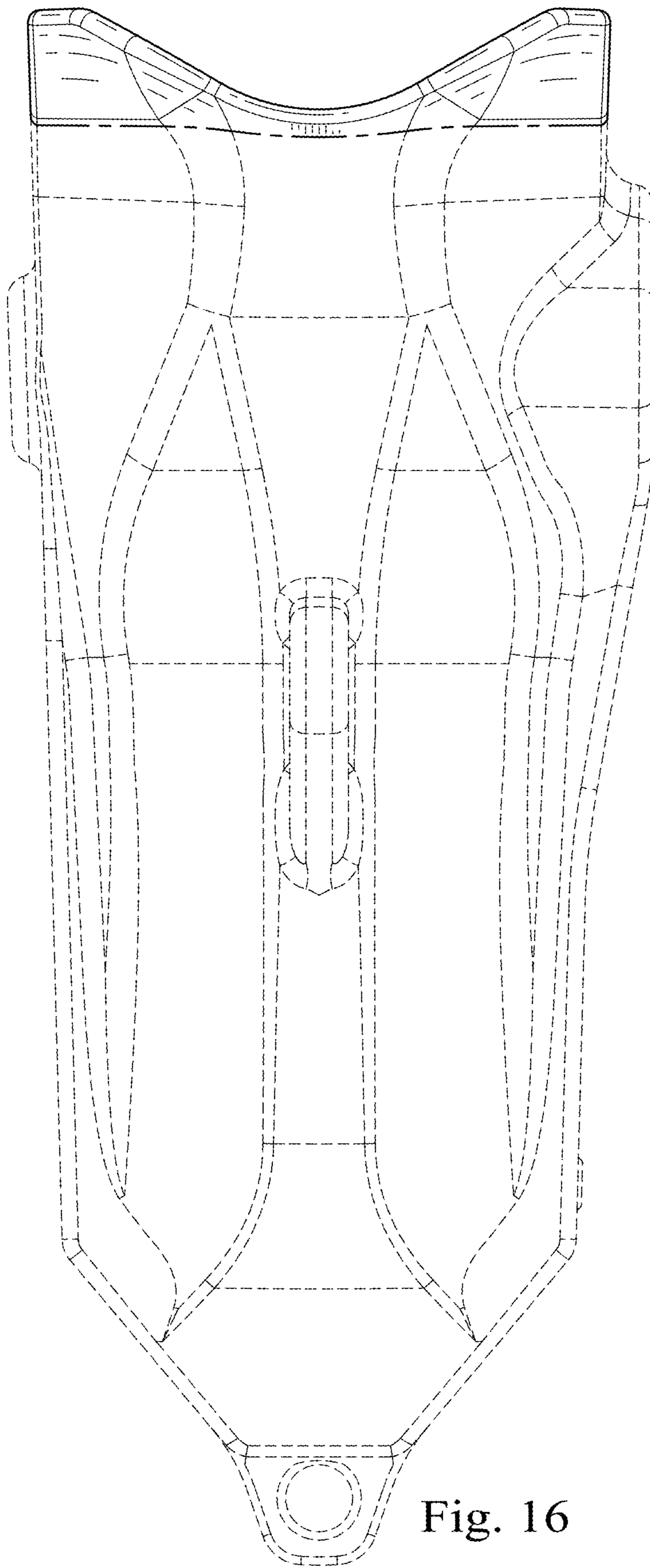
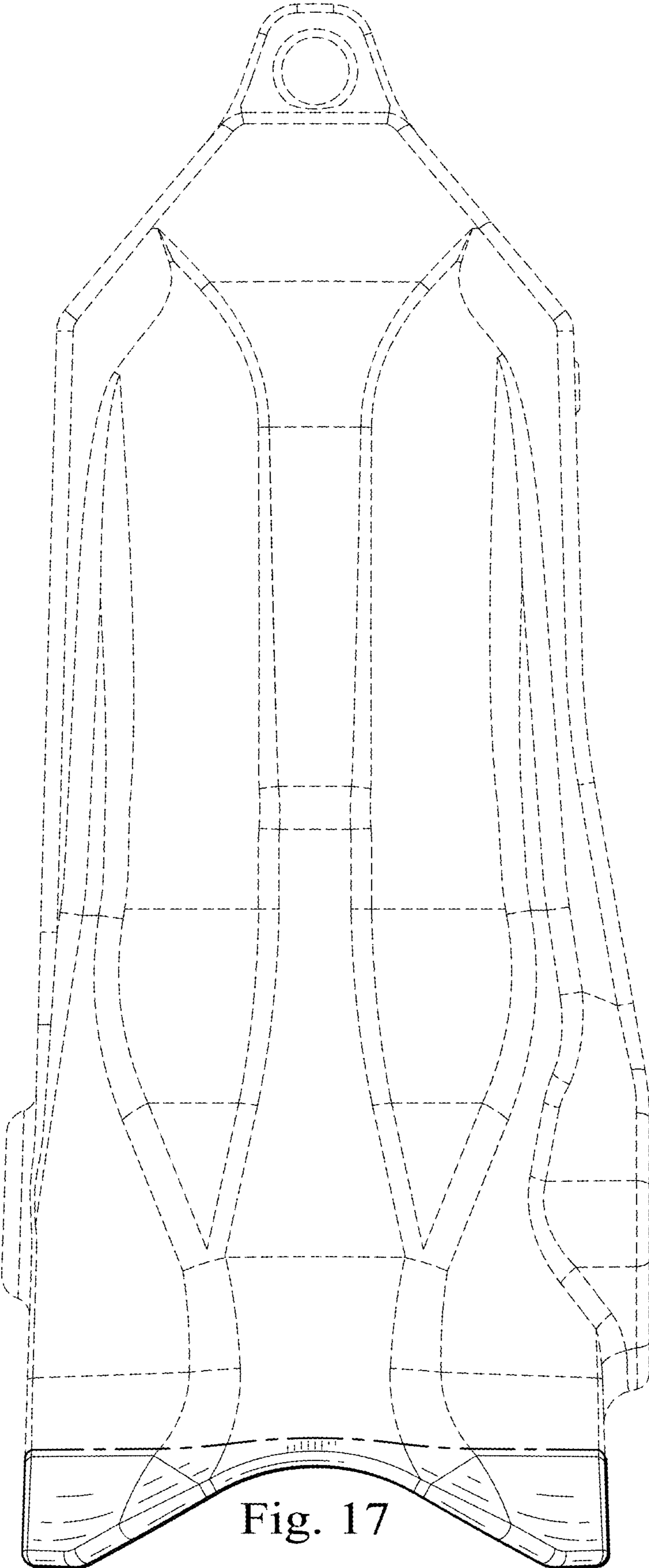


Fig. 16



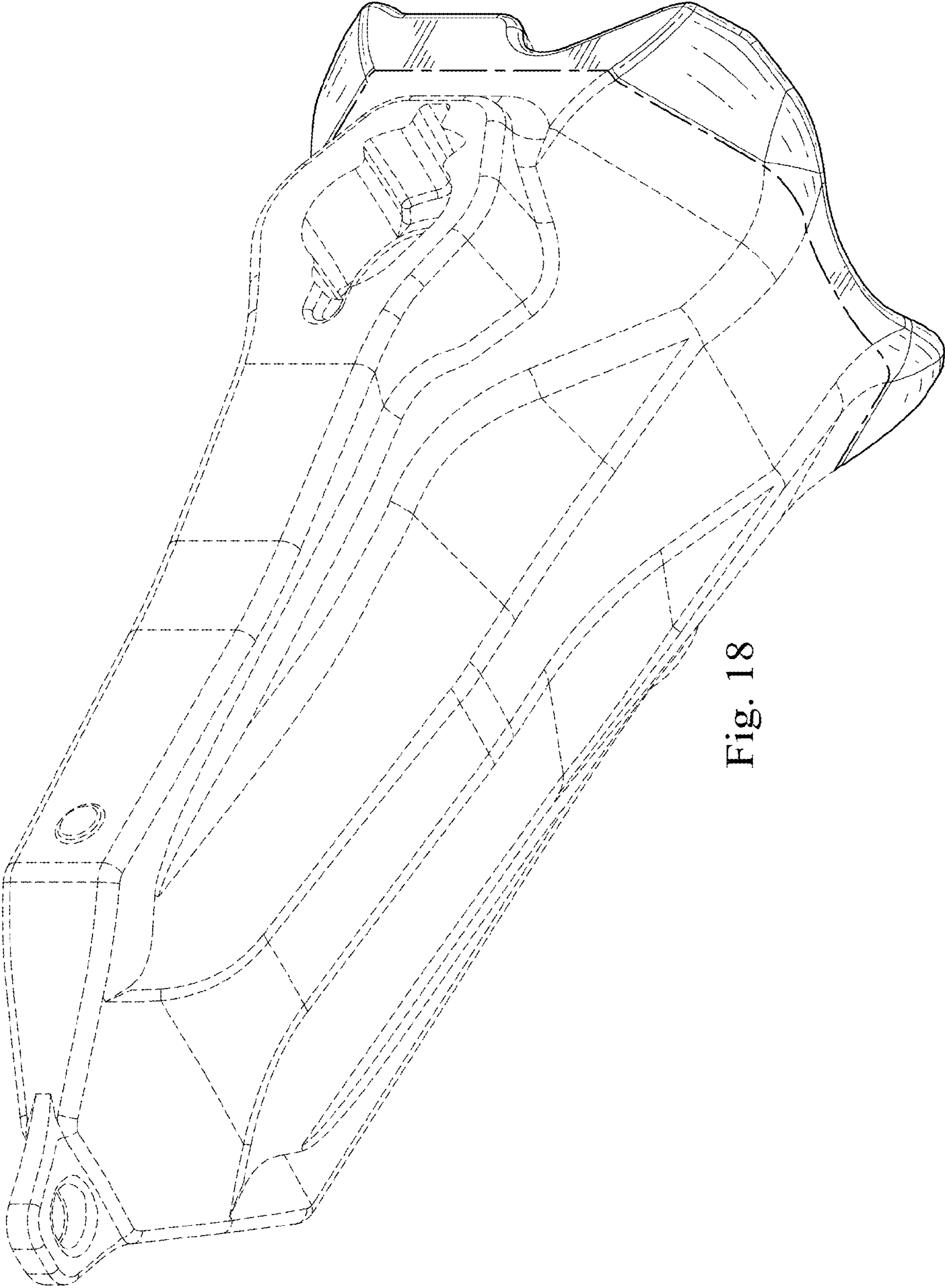


Fig. 18

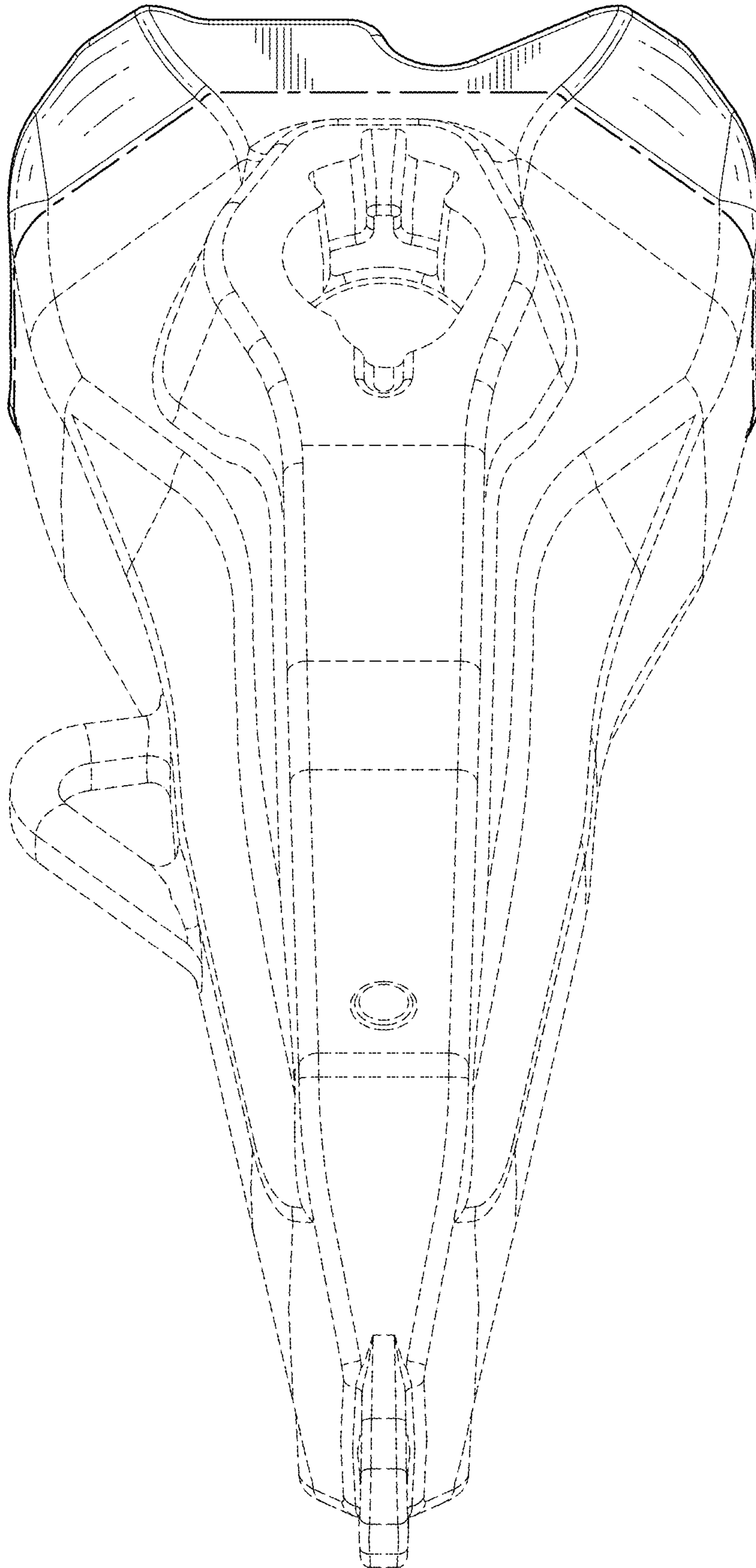


Fig. 19

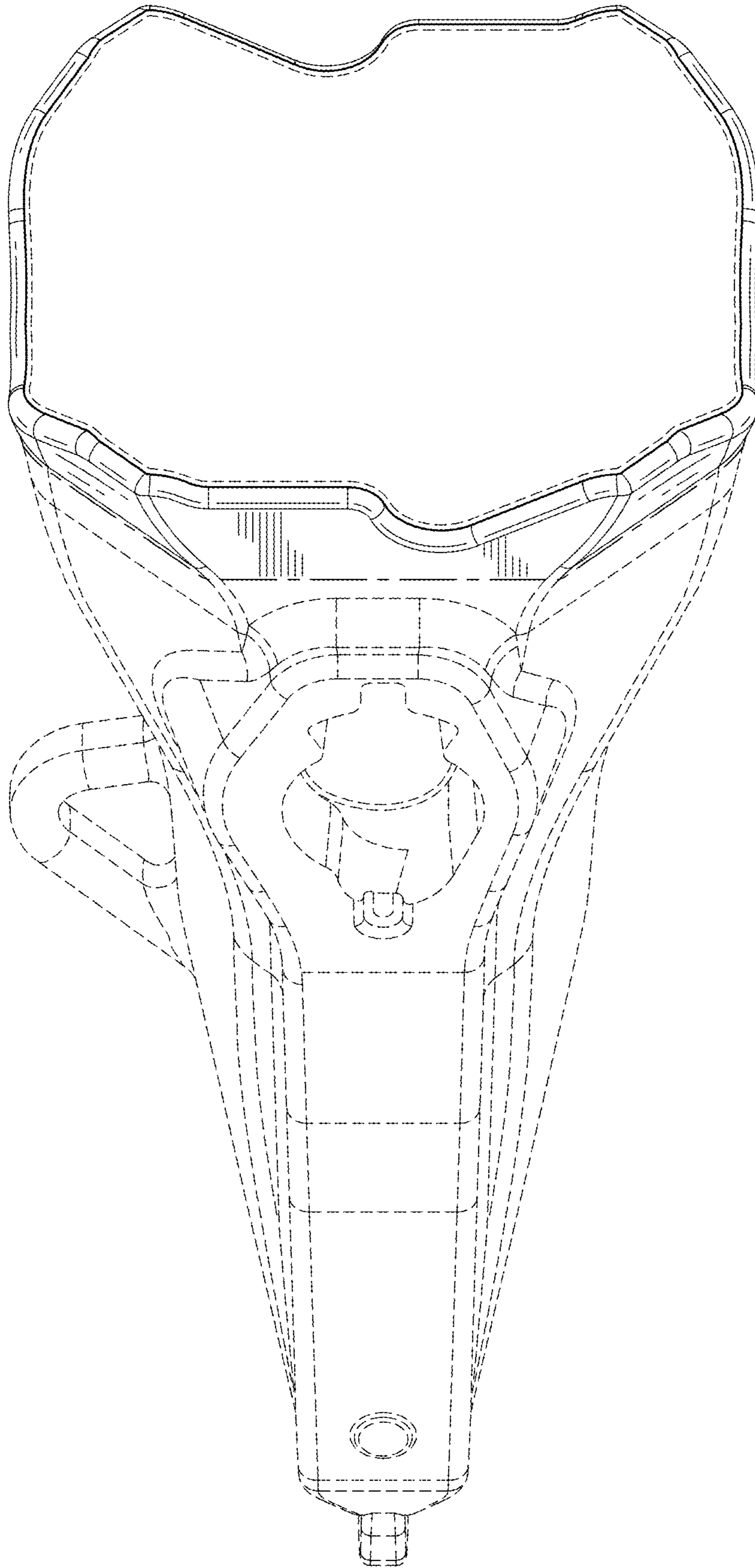


Fig. 20