



US00D918961S

(12) **United States Design Patent** (10) **Patent No.:** **US D918,961 S**
Arena et al. (45) **Date of Patent:** **** May 11, 2021**

(54) **DISPLAY SCREEN WITH TRANSITIONAL GRAPHICAL USER INTERFACE**
(71) Applicant: **Google LLC**, Mountain View, CA (US)
(72) Inventors: **Sung Min Kim Arena**, San Francisco, CA (US); **Nayon Kim**, Sunnyvale, CA (US); **J. Christopher Irwin**, Palo Alto, CA (US); **Andrew Schoneweis**, Sunnyvale, CA (US)
(73) Assignee: **GOOGLE LLC**, Mountain City, CA (US)

(**) Term: **15 Years**

(21) Appl. No.: **29/693,431**

(22) Filed: **Jun. 3, 2019**

(51) **LOC (13) Cl.** **14-04**

(52) **U.S. Cl.**
USPC **D14/492**

(58) **Field of Classification Search**
USPC 368/229; D10/32, 126, 2, 15, 24, 30, 39, D10/125; D11/95, 116; D14/485-495; D18/24-32; D20/11, 20, 22, 23, 27, 28
CPC G04B 45/00; G04B 45/0069; G04B 37/1486; B60K 37/00; G06F 3/048-04897; G06F 3/013; G06F 3/017; G06F 3/165; G06F 3/197; G06F 17/212; G06T 13/80; G06T 15/02; H04M 1/6075; H04M 3/567; H04M 1/2477; H04M 1/26; H04M 1/274582; H04L 12/581; H04L 12/813; H04L 12/1813; G06Q 10/10; H04N 7/16
See application file for complete search history.

(56) **References Cited**

U.S. PATENT DOCUMENTS

D532,017 S * 11/2006 Gusmorino D14/492
D682,850 S * 5/2013 Del Pasqua D14/485

D687,062 S * 7/2013 Gardner D14/489
D719,186 S * 12/2014 Kim D14/488
D745,563 S * 12/2015 Lee D14/492
D747,727 S * 1/2016 Lee D14/485
D747,740 S * 1/2016 Lee D14/492
D748,141 S * 1/2016 Park D14/492
D748,144 S * 1/2016 Kwon D14/492
D753,696 S * 4/2016 Dye D14/486
D760,290 S * 6/2016 Huang D14/492
D802,021 S * 11/2017 Pirklbauer D14/492
D830,403 S * 10/2018 Subash D14/486
D842,333 S * 3/2019 Connor D14/489
10,386,888 B2 * 8/2019 Berardinelli G04G 21/08

(Continued)

Primary Examiner — Cary M Robinson

(74) *Attorney, Agent, or Firm* — Leason Ellis LLP

(57) **CLAIM**

The ornamental design for a display screen with transitional graphical user interface, as shown and described.

DESCRIPTION

FIG. 1 is the first image in a sequence for a display screen with transitional graphical user interface according to a first embodiment;

FIG. 2 is the second image thereof;

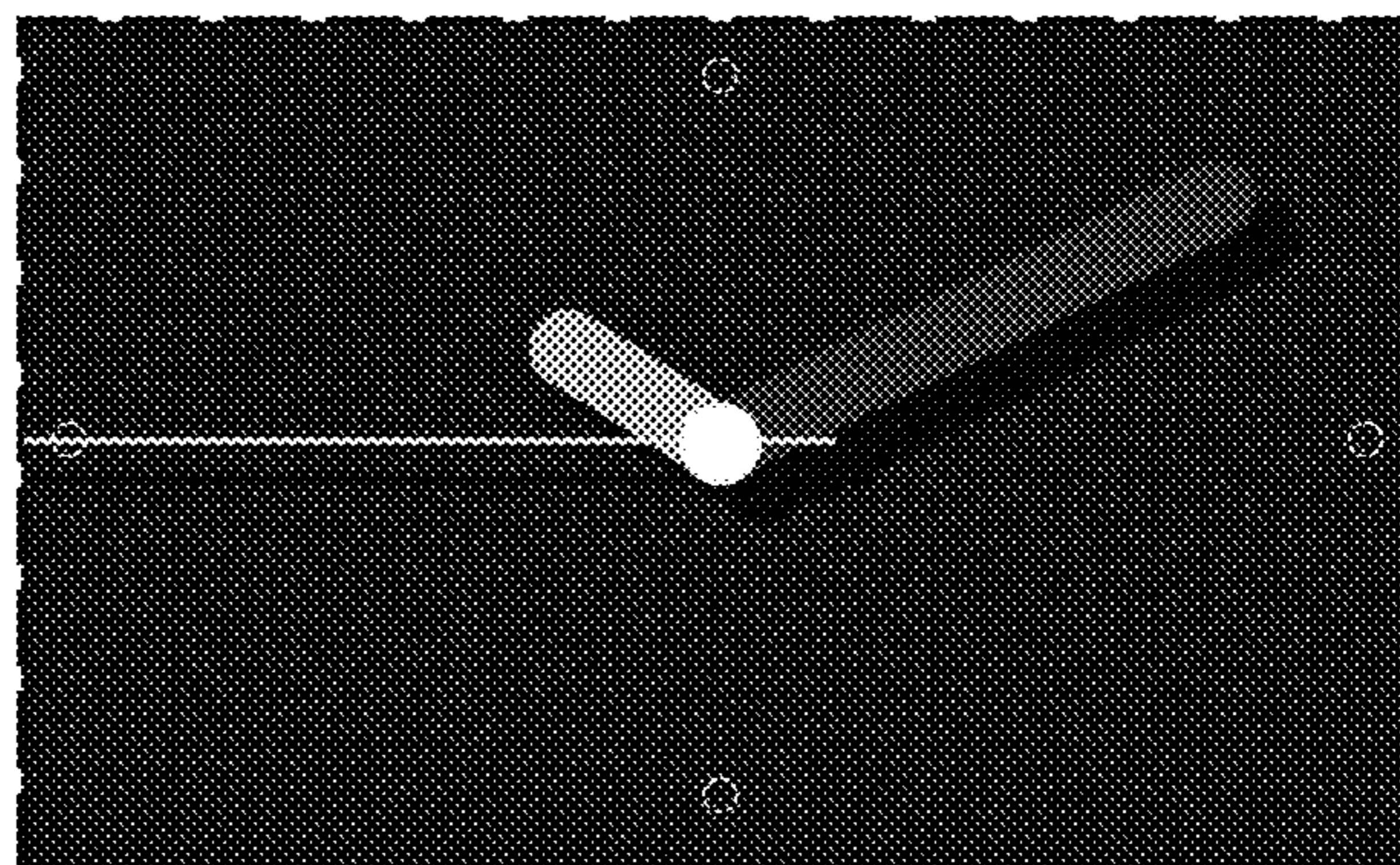
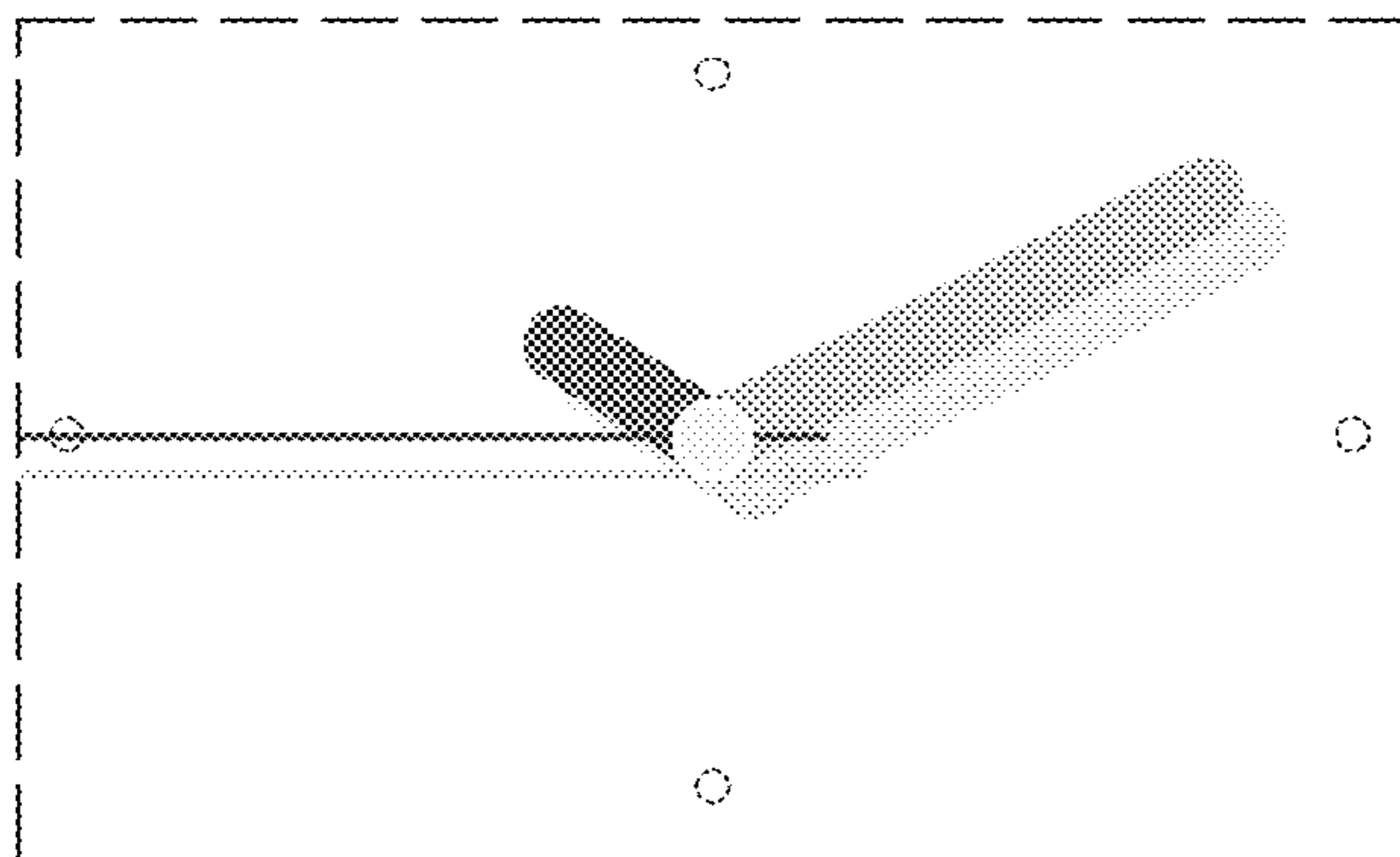
FIG. 3 is the first image in a sequence for a display screen with transitional graphical user interface according to a second embodiment; and,

FIG. 4 is the second image thereof.

The appearance of the transition is sequential from FIG. 1 to FIG. 2 in the first embodiment and from FIG. 3 to FIG. 4 in the second embodiment. The process or period in which one image transitions to another forms no part of the claimed design.

The outermost broken line illustrates the display screen and a boundary and the remaining broken lines illustrate portions of the transitional graphical user interface. None of the broken lines form part of the claimed design.

1 Claim, 2 Drawing Sheets



(56)

References Cited

U.S. PATENT DOCUMENTS

D873,279	S *	1/2020	Dye	D14/485
D883,307	S *	5/2020	Broughton	D14/485
10,739,974	B2 *	8/2020	Wilson	G06T 13/00
D898,755	S *	10/2020	Chen	D14/486
D902,250	S *	11/2020	Chen	D14/492
D904,434	S *	12/2020	Chen	D14/485
D905,108	S *	12/2020	Kang	D14/492
2010/0037139	A1 *	2/2010	Loebig	G11B 27/34
					715/716
2012/0066629	A1 *	3/2012	Lee	G06Q 10/109
					715/769
2013/0179840	A1 *	7/2013	Fisher	G06F 3/0488
					715/835
2015/0082162	A1 *	3/2015	Cho	G06F 3/0482
					715/702
2015/0098309	A1 *	4/2015	Adams	G04G 21/06
					368/10

* cited by examiner

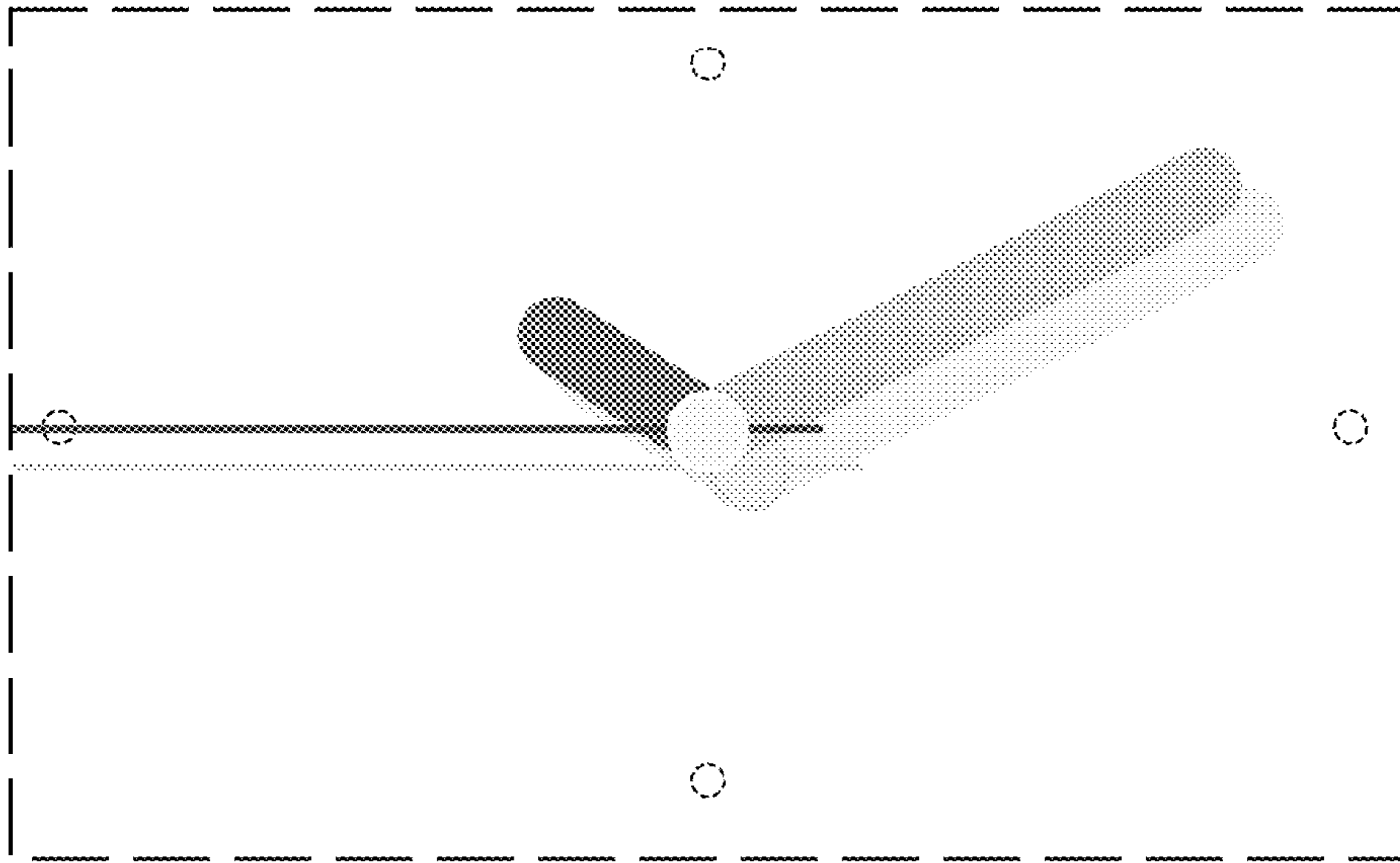


Fig. 1

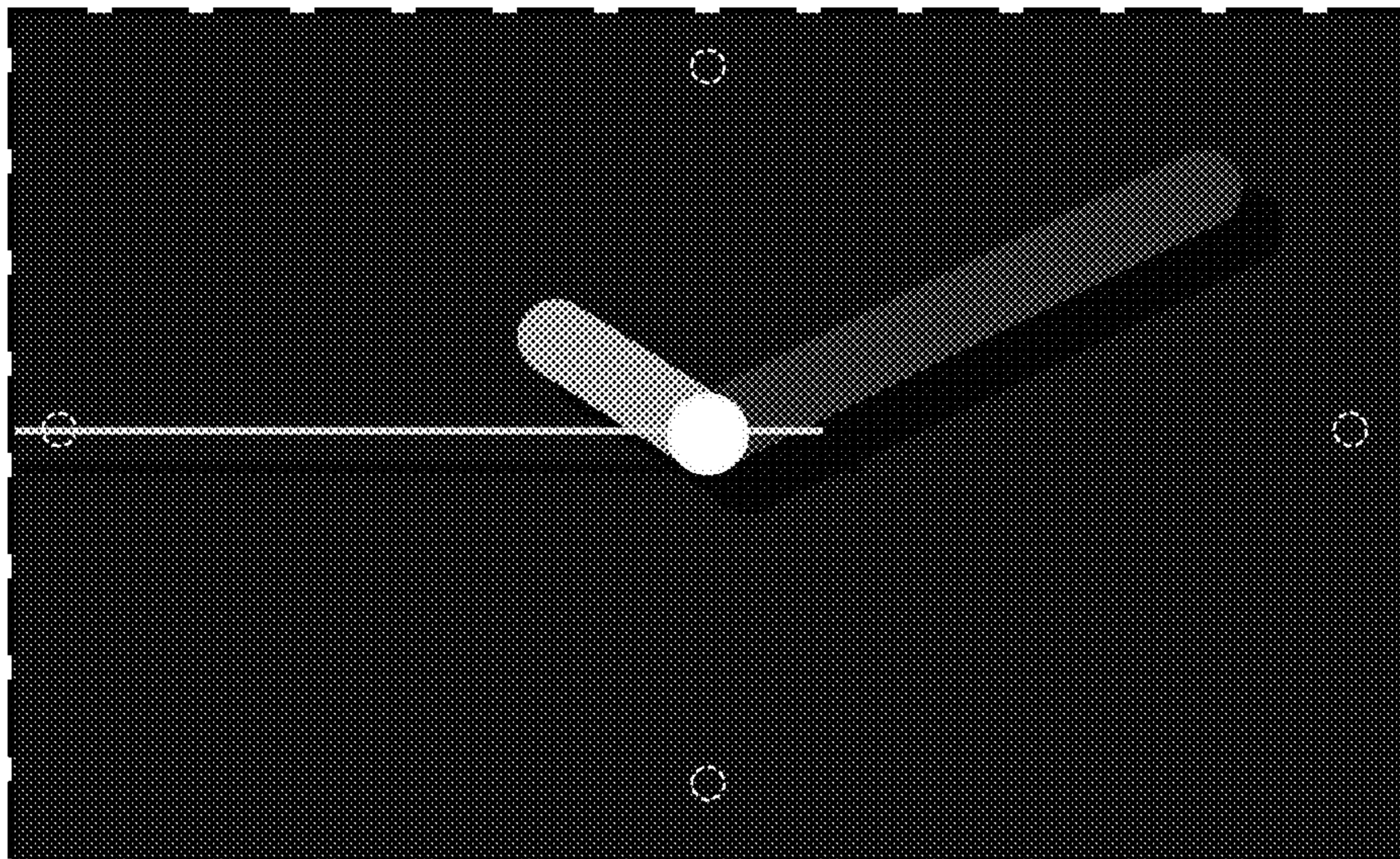


Fig. 2

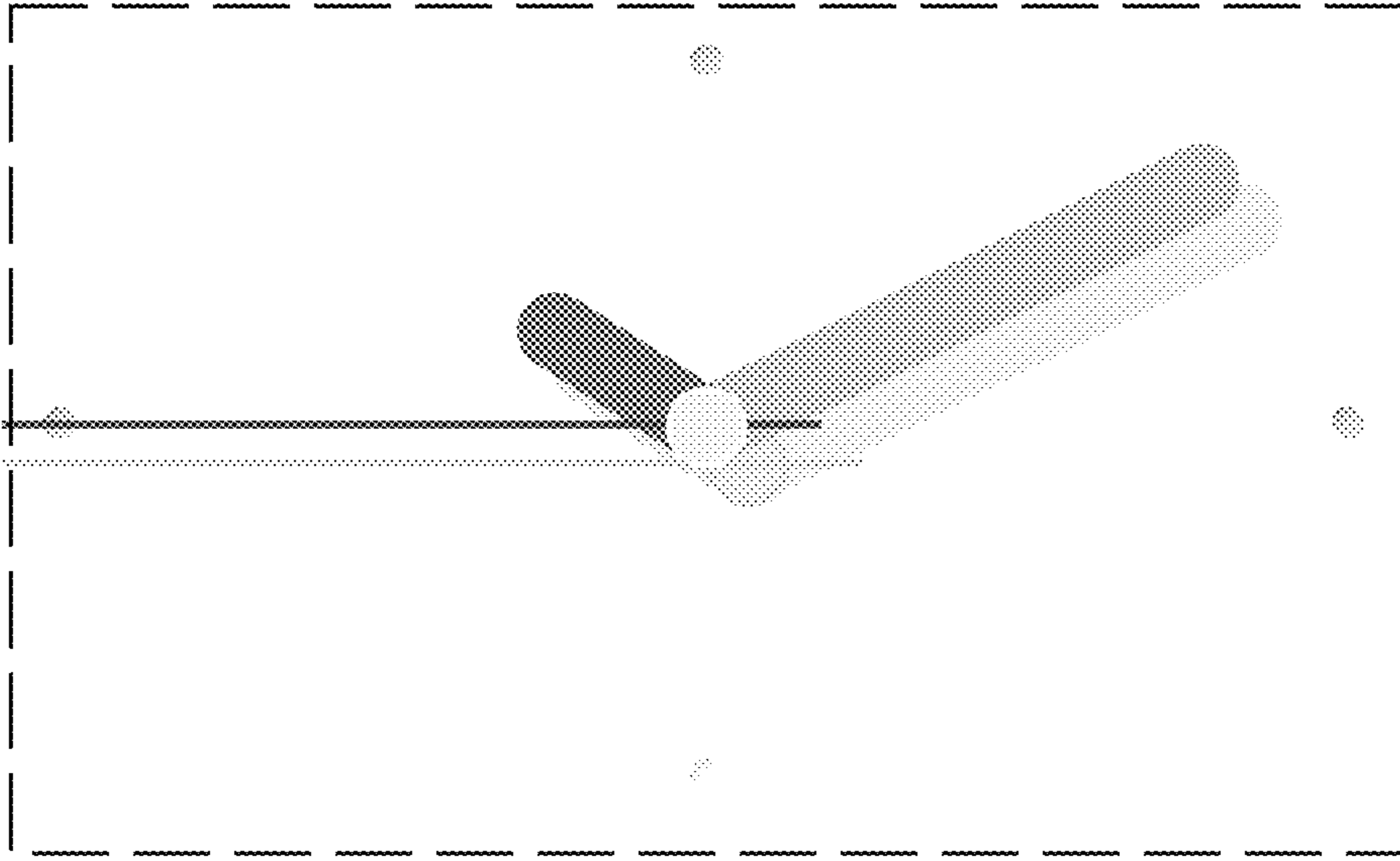


Fig. 3

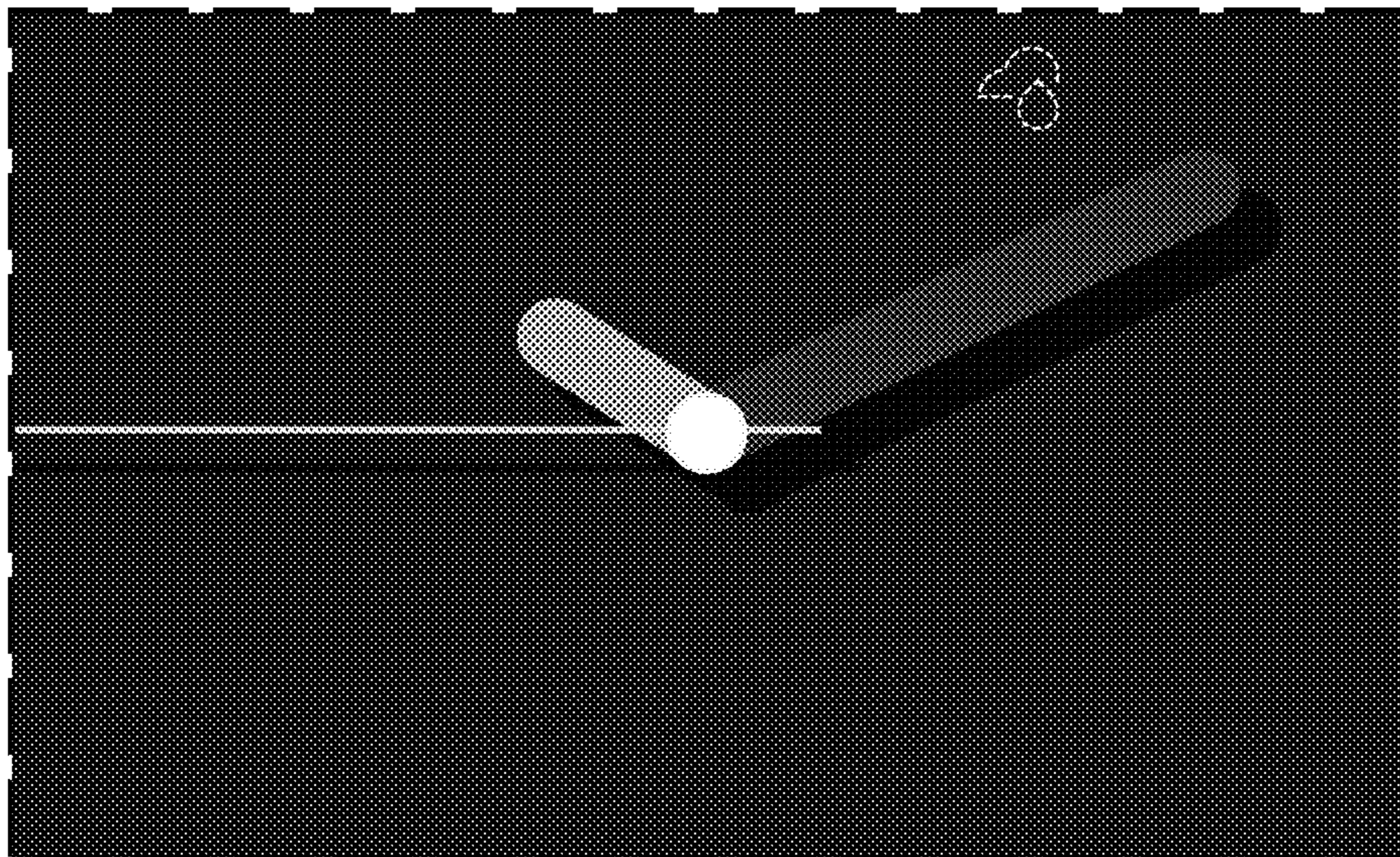


Fig. 4