



US00D918928S

(12) **United States Design Patent** (10) **Patent No.:** **US D918,928 S**
Jia (45) **Date of Patent:** **** May 11, 2021**

(54) **DISPLAY MOUNT**

(71) Applicant: **SHENZHEN BESTQI INNOVATION TECHNOLOGY CO., LTD**, Shenzhen (CN)

(72) Inventor: **Daqiang Jia**, Shenzhen (CN)

(73) Assignee: **SHENZHEN BESTQI INNOVATION TECHNOLOGY CO., LTD**, Shenzhen (CN)

(**) Term: **15 Years**

(21) Appl. No.: **29/755,841**

(22) Filed: **Oct. 23, 2020**

(51) **LOC (13) Cl.** **14-02**

(52) **U.S. Cl.**
USPC **D14/452; D14/239**

(58) **Field of Classification Search**
USPC D14/125-129, 239, 251-253, 335, D14/336-337, 371-382, 432, 439-441, D14/447-452, 457, 492
CPC G06F 1/1616; G06F 3/011; G06F 3/016; G06F 3/0202; G06F 3/0213; G06F 3/0219; G06F 3/023; G06F 3/0338; G06F 3/03543; G06F 3/038; G06F 3/0488; G06F 3/04883

See application file for complete search history.

(56) **References Cited**

U.S. PATENT DOCUMENTS

D508,917 S *	8/2005	Wills	D14/452
D543,210 S *	5/2007	Stenhouse	D14/452
D553,135 S *	10/2007	Muday	D14/452
D566,531 S *	4/2008	Massoumi	D14/452
D576,633 S *	9/2008	Muday	D14/452
D666,205 S *	8/2012	Li	D14/452
D816,646 S *	5/2018	Pei	D14/239
D837,225 S	1/2019	Russell et al.		
D841,631 S *	2/2019	Pei	D14/239
D842,284 S *	3/2019	Pei	D14/239

D848,988 S *	5/2019	Pei	D14/239
D852,805 S *	7/2019	Lyu	D14/452
D871,380 S	12/2019	Fehr		
D877,746 S *	3/2020	Pei	D14/452
D878,382 S *	3/2020	Pei	D14/452
2018/0177299 A1 *	6/2018	Pei	F16M 13/02
2019/0191879 A1 *	6/2019	Pei	F16M 11/105

OTHER PUBLICATIONS

Full Motion TV Wall Mount Bracket, date first available: Jun. 5, 2020, [retrieved Feb. 25, 2021], Retrieved from Internet, URL: <https://www.amazon.com/dp/B08C8TVWYT/ref=sspa_dk_detail_6?psc=1&pd_rd_i=B08C8TVWYT&pd_rd_w=QWPCA&pf_rd_p=cbc856ed-1371-4f2%E2%80%A6> (Year: 2020).*

Cheetah Mounts ALAMLB Articulating Arm, review date: Mar. 28, 2014, [retrieved Feb. 25, 2021], Retrieved from Internet, URL: <<https://www.cheetahmounts.com/ALAMLB-Articulating-Arm-p/alamlb.htm>> (Year: 2014).*

* cited by examiner

Primary Examiner — Barbara Fox
Assistant Examiner — Aram Kwon

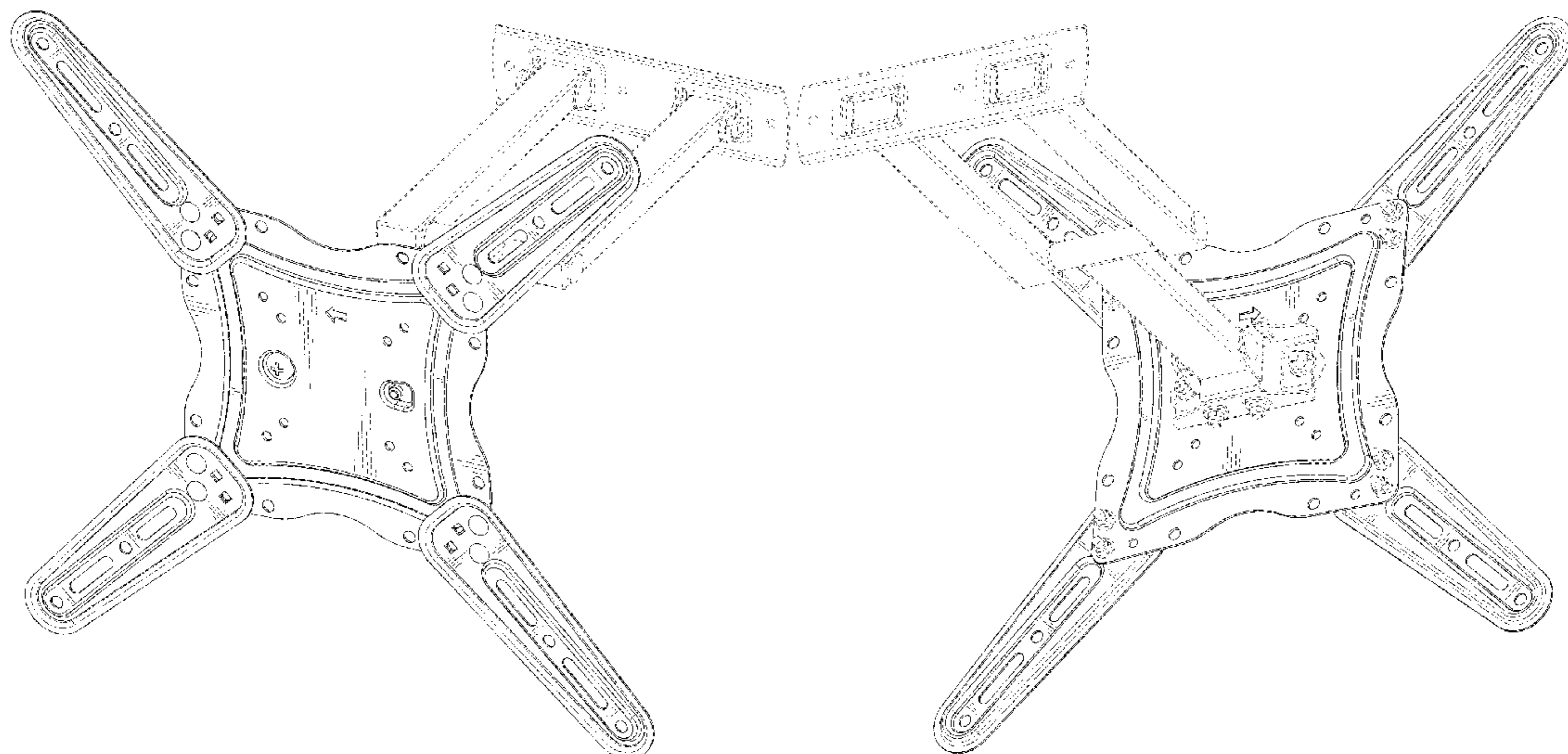
(57) **CLAIM**

The ornamental design for a display mount, as shown and described.

DESCRIPTION

FIG. 1 is a perspective view of a display mount showing my new design;
FIG. 2 is another perspective view thereof;
FIG. 3 is a front elevational view thereof
FIG. 4 is a rear elevational view thereof;
FIG. 5 is a left side elevational view thereof;
FIG. 6 is a right side elevational view thereof;
FIG. 7 is a top plan view thereof; and,
FIG. 8 is a bottom plan view thereof.
The broken lines in the drawings depict portions of the display mount that form no part of the claimed design.

1 Claim, 8 Drawing Sheets



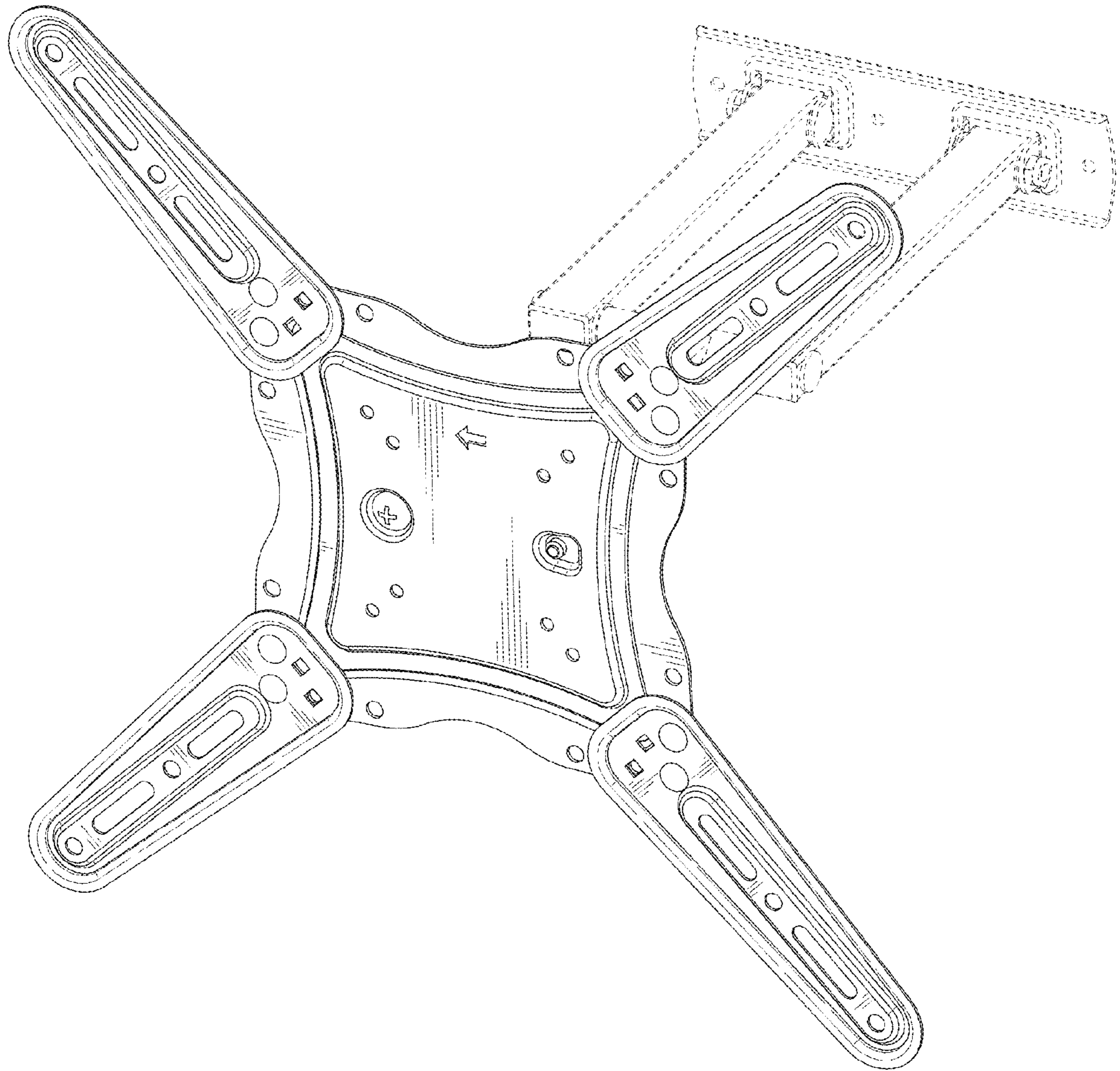


FIG. 1

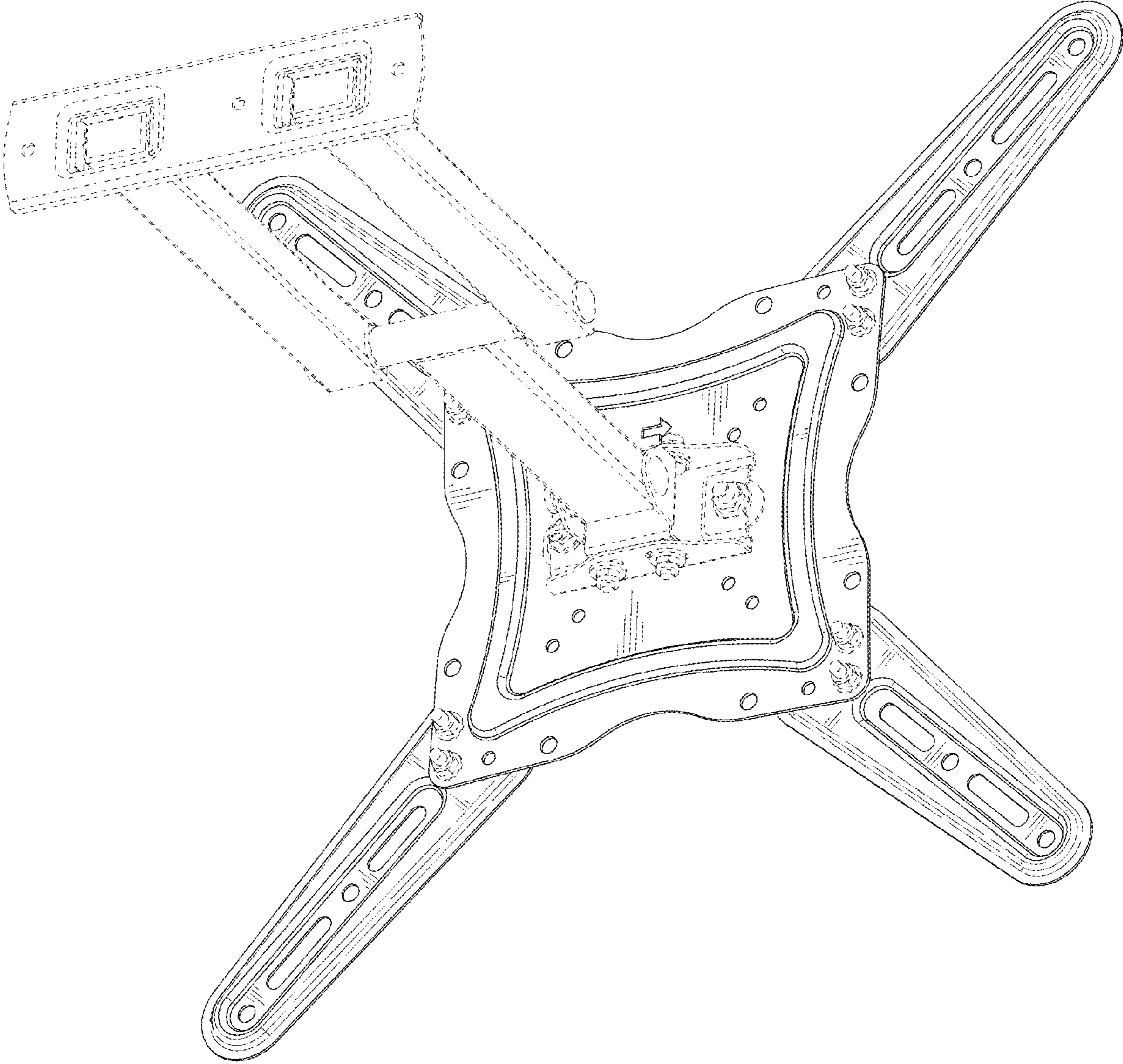


FIG. 2

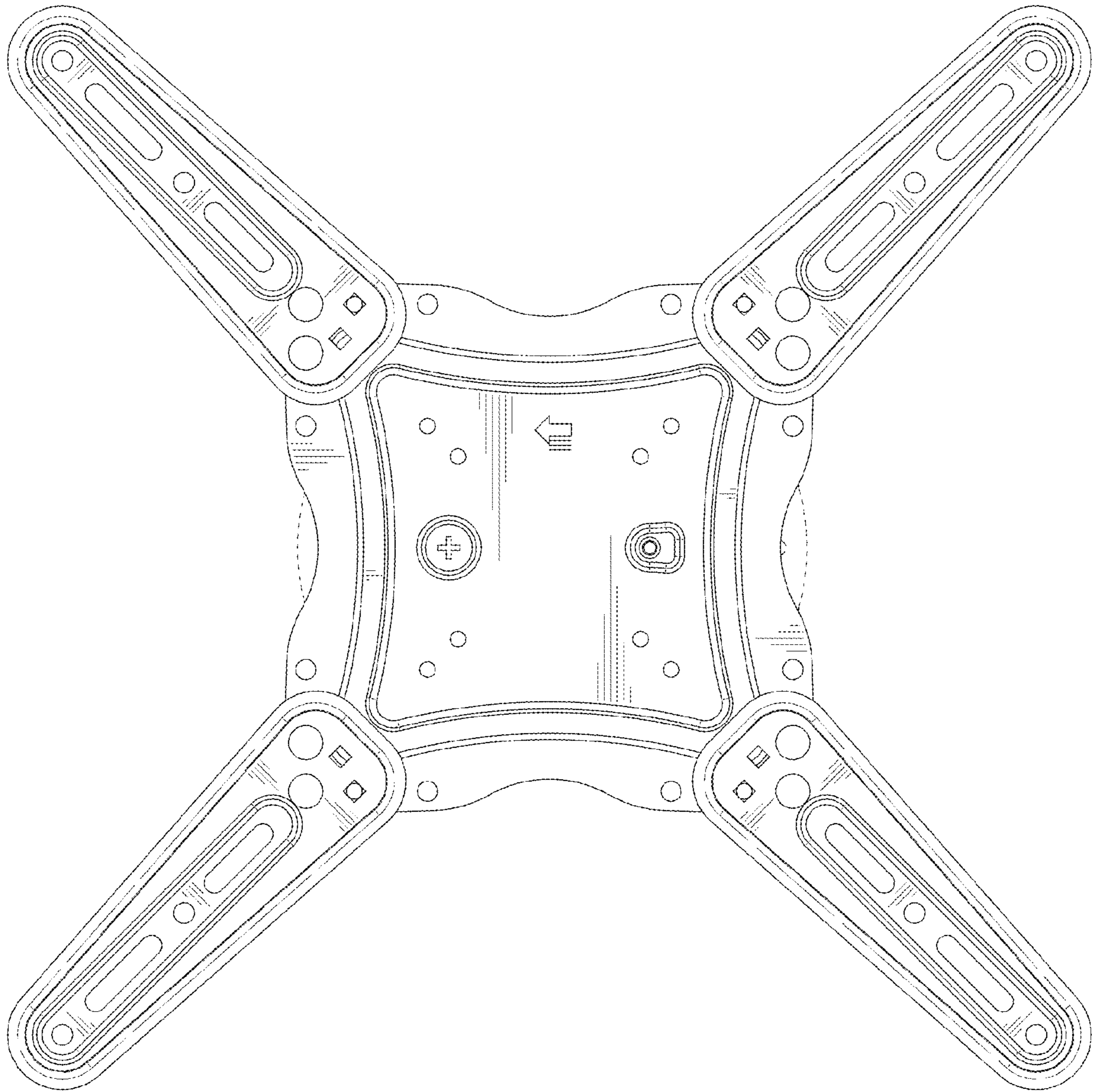


FIG. 3

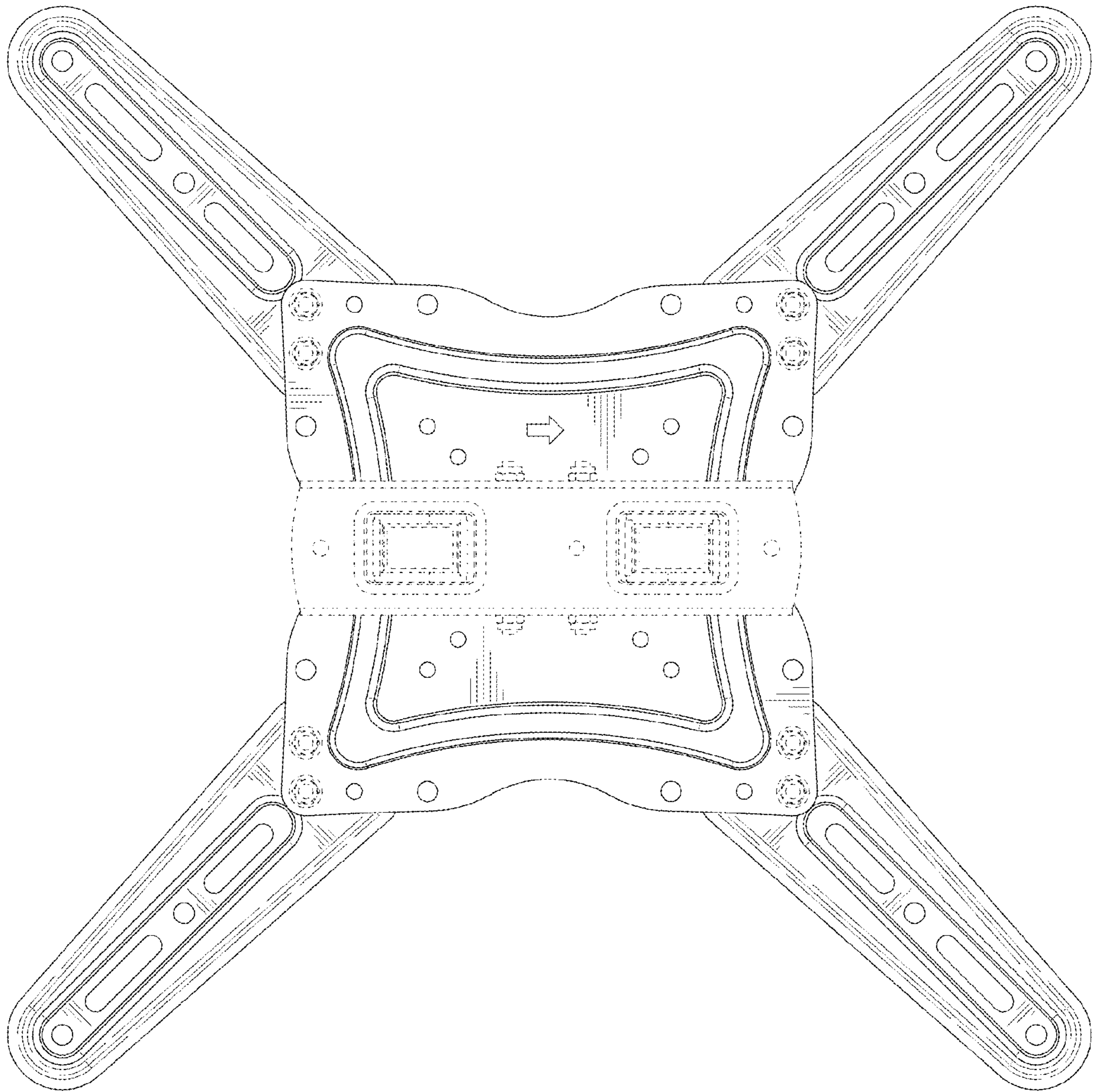


FIG. 4

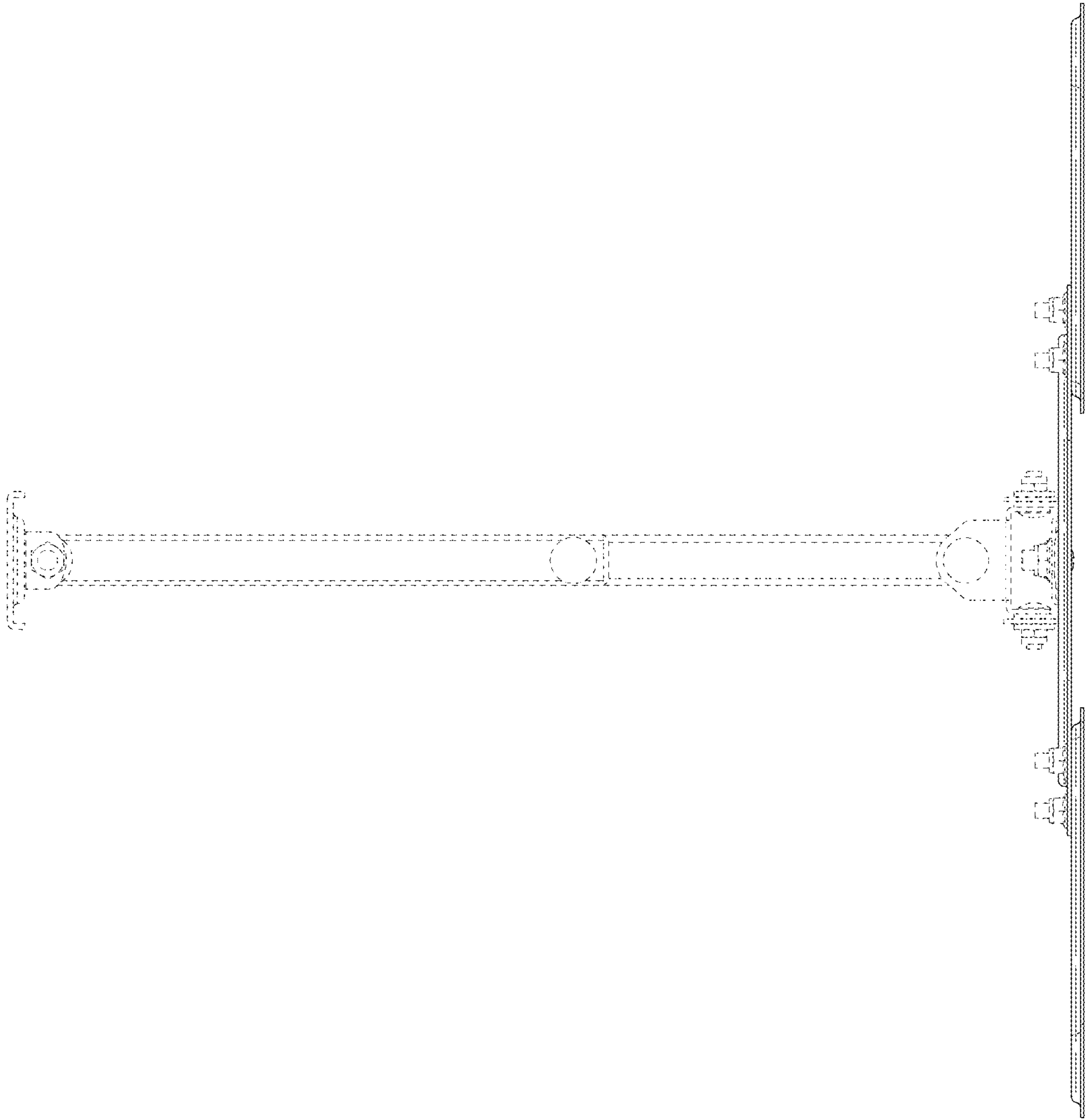


FIG. 5

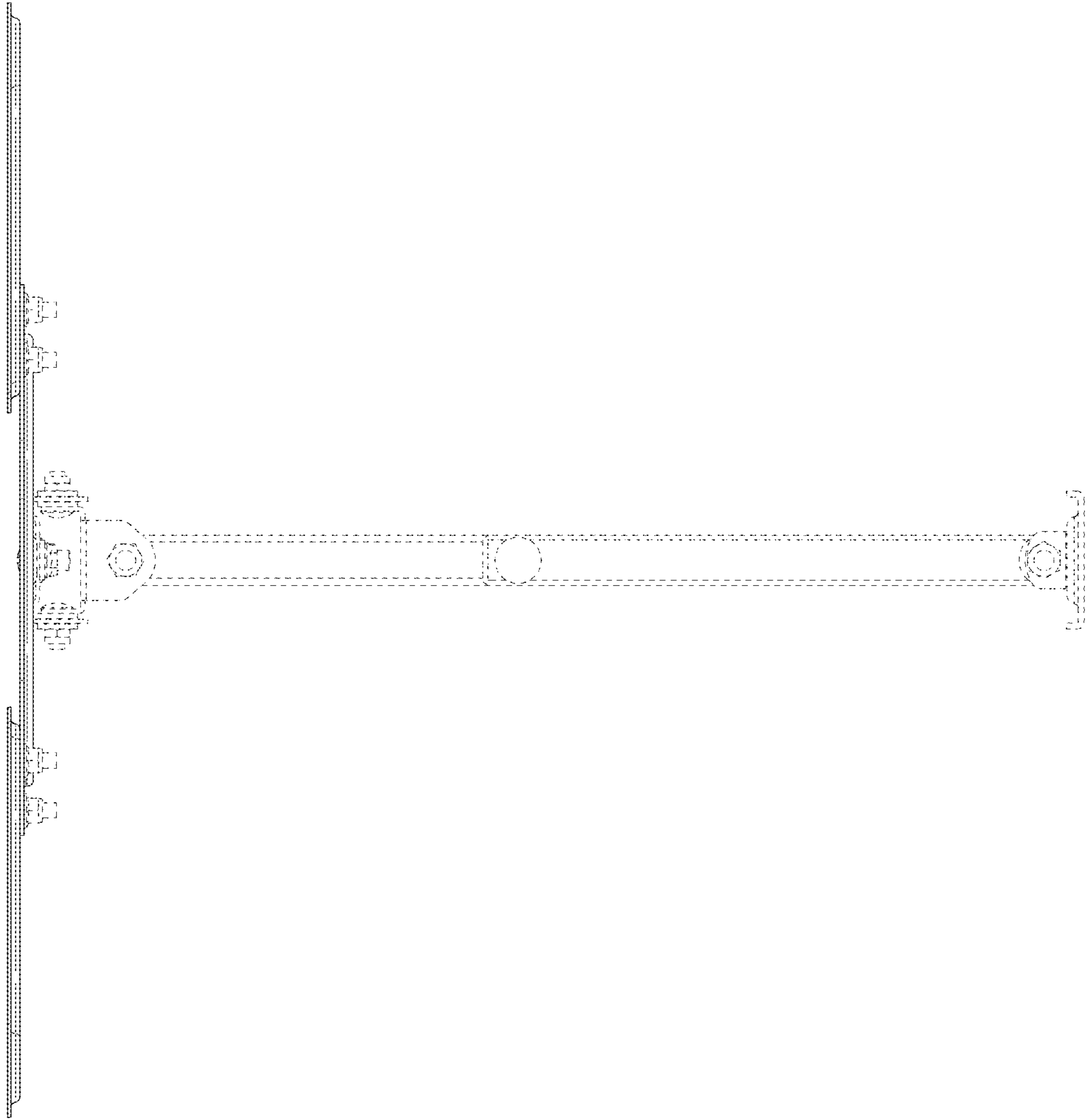


FIG. 6

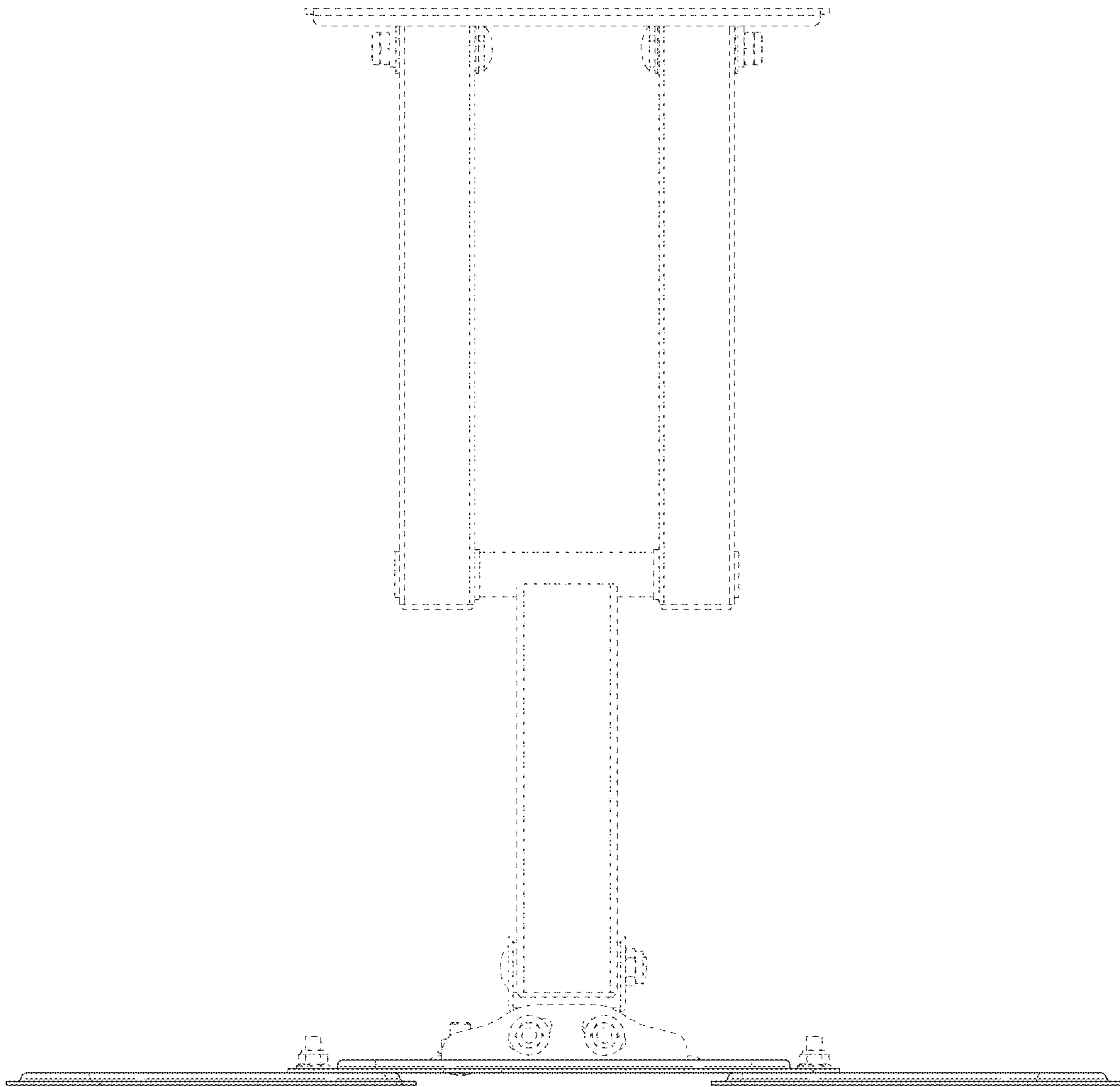


FIG. 7

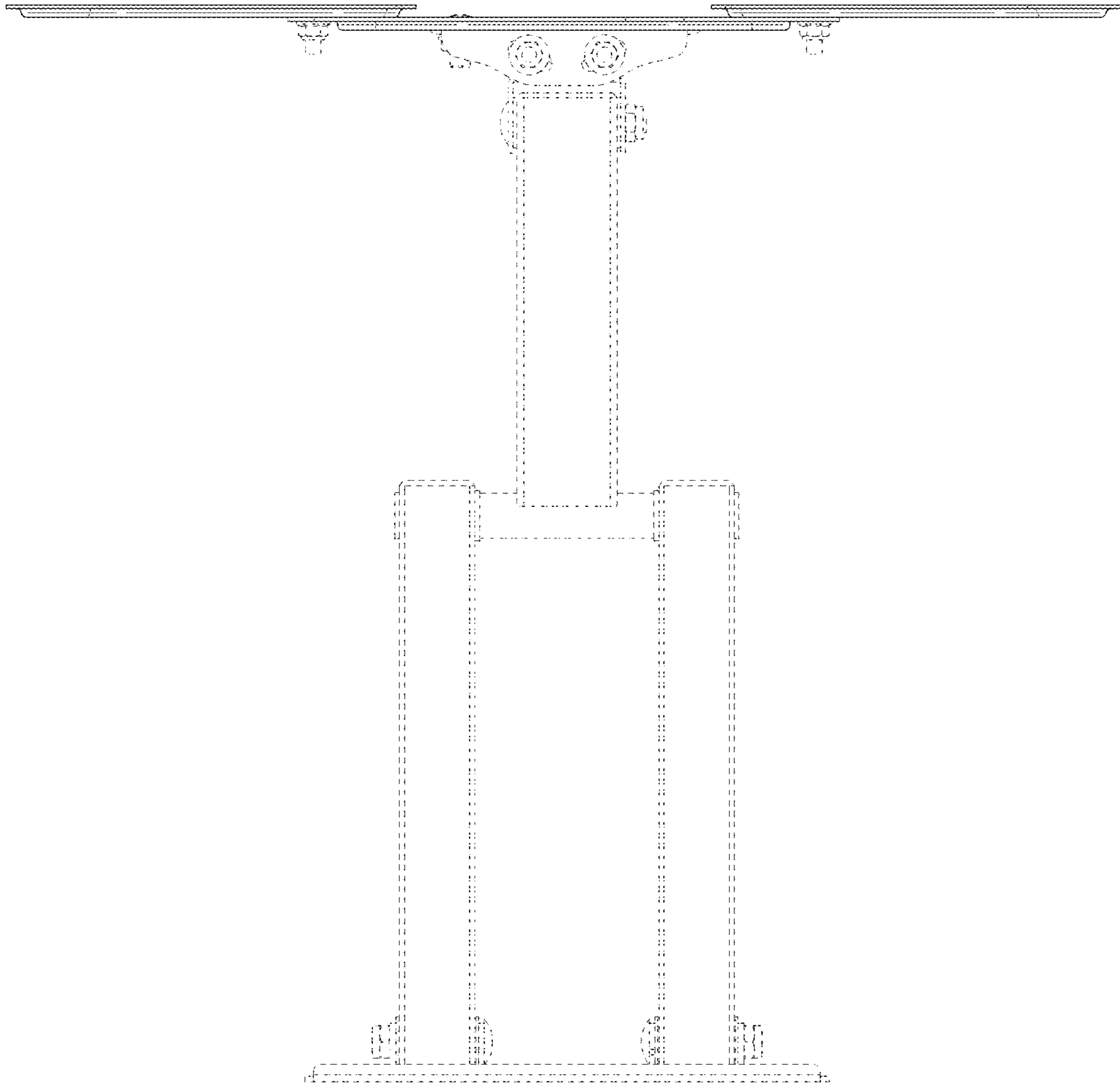


FIG. 8