



US00D918927S

(12) **United States Design Patent** (10) **Patent No.:** **US D918,927 S**
Senatorov (45) **Date of Patent:** **** May 11, 2021**

- (54) **STAND-HOLDER FOR MOBILE DEVICE**
- (71) Applicant: **Aleksandr Gennadievich Senatorov**,
Moscow (RU)
- (72) Inventor: **Aleksandr Gennadievich Senatorov**,
Moscow (RU)
- (73) Assignee: **INVESTMENT GROUP**
«KOPERNIK», LLC, Moscow (RU)
- (**) Term: **15 Years**
- (21) Appl. No.: **29/694,316**
- (22) Filed: **Jun. 10, 2019**

D832,276 S * 10/2018 Miles D14/451
 D870,736 S * 12/2019 Lederer D14/447
 D871,490 S * 12/2019 Wengreen D16/242

(Continued)

FOREIGN PATENT DOCUMENTS

CN 208806843 U 4/2019
 RU 182986 U1 9/2018

Primary Examiner — Angela J Lee

(57) **CLAIM**

The ornamental design for a stand-holder for mobile device, as shown and described.

DESCRIPTION

FIG. 1 is a top front-left perspective view of a stand-holder for mobile device showing my new design;
 FIG. 2 is a bottom rear-right perspective view thereof;
 FIG. 3 is a front elevated view thereof;
 FIG. 4 is a rear elevated view thereof;
 FIG. 5 is a top plan view thereof;
 FIG. 6 is a bottom plan view thereof;
 FIG. 7 is a right elevated view thereof;
 FIG. 8 is a left elevated view thereof;
 FIG. 9 is a top perspective cross sectional view thereof taken in the direction of line 9-9 of FIG. 4;
 FIG. 10 is a bottom perspective cross sectional view thereof taken in the direction of line 10-10 of FIG. 4;
 FIG. 11 is a top front-left perspective view thereof, showing the stand-holder for mobile device in an alternate, mounted configuration; and,
 FIG. 12 is a bottom rear-right perspective view thereof, showing the stand-holder for mobile device in the alternate, mounted configuration.
 The broken lines showing of wire extensions in FIG. 1-12, and the broken lines showing of an external object in FIG. 11-12 are included for the purpose of showing environmental structure and form no part of the claimed design.

Related U.S. Application Data

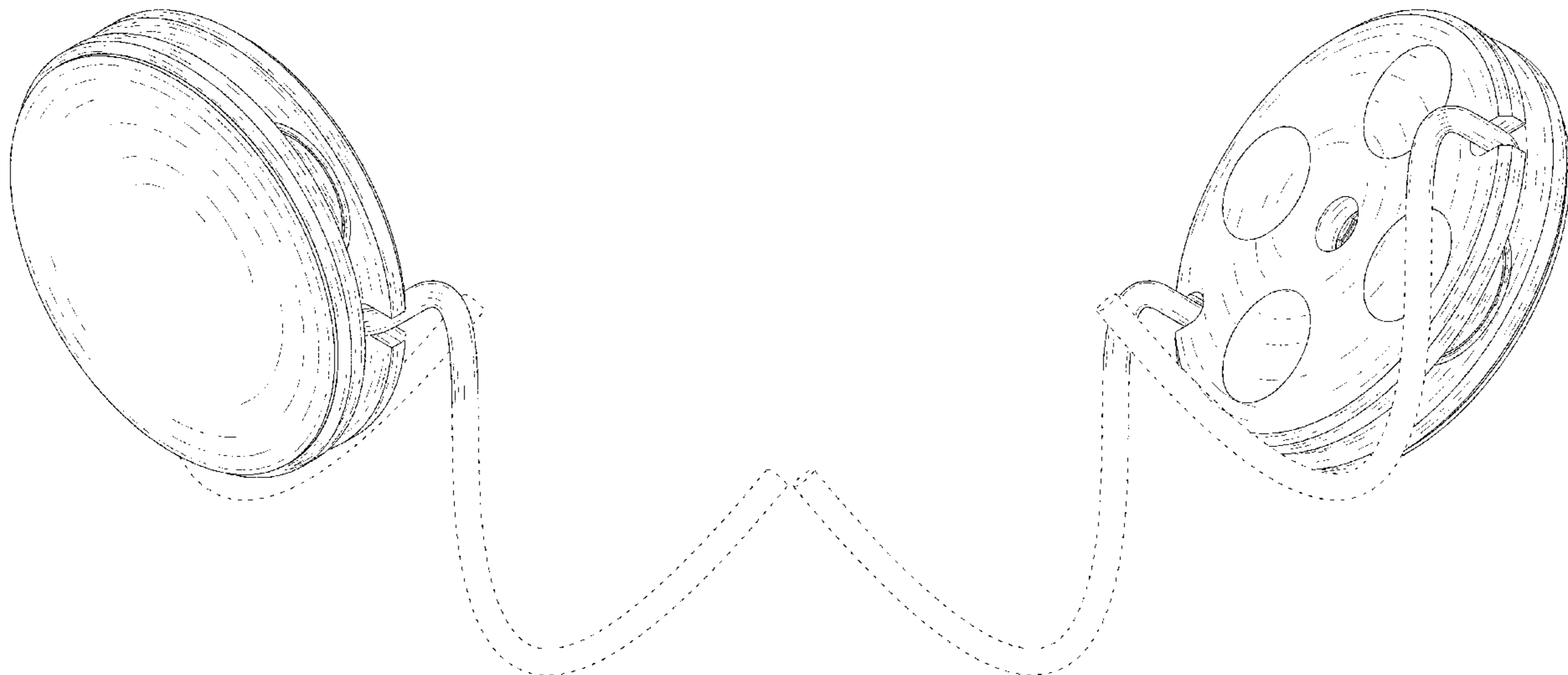
- (63) Continuation-in-part of application No. 16/159,490, filed on Oct. 12, 2018, now abandoned.
- (51) **LOC (13) Cl.** **08-07**
- (52) **U.S. Cl.**
USPC **D14/447**
- (58) **Field of Classification Search**
USPC D14/447, 432, 434, 439, 440, 451, 452,
D14/457, 239, 253; D8/363, 373, 380;
D6/406.3, 406.4, 406.5, 406.6
CPC A47B 21/04; A47B 2097/006; A47B
2097/005; A47B 2023/049; A45C
2011/002; A45C 2011/003; F16M
2200/00; F16M 13/00
See application file for complete search history.

(56) **References Cited**

U.S. PATENT DOCUMENTS

D692,898 S * 11/2013 Luijben D14/447
 D725,660 S * 3/2015 Trotsky D14/447
 D756,366 S * 5/2016 Floersch D14/447
 D773,325 S * 12/2016 Browning D10/74
 D797,749 S * 9/2017 Awad D14/447
 D825,549 S * 8/2018 Lebovitz D14/253

1 Claim, 12 Drawing Sheets



(56)

References Cited

U.S. PATENT DOCUMENTS

D875,736 S *	2/2020	Ramones	D14/447
D877,740 S *	3/2020	Wesenhagen	D14/447
D877,742 S *	3/2020	Yao	D14/447
D889,475 S *	7/2020	Yamamoto	D14/447

* cited by examiner

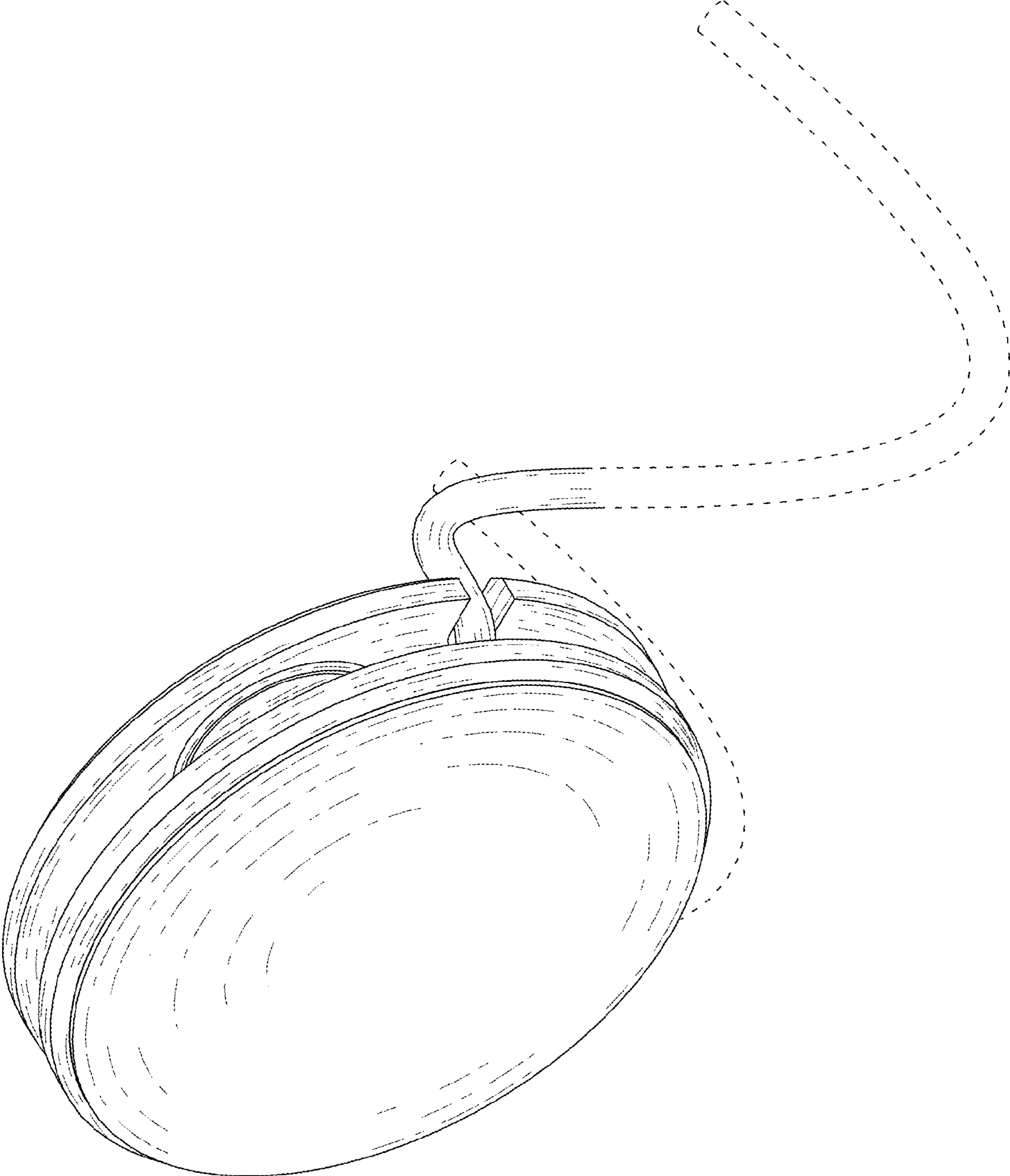


FIG. 1

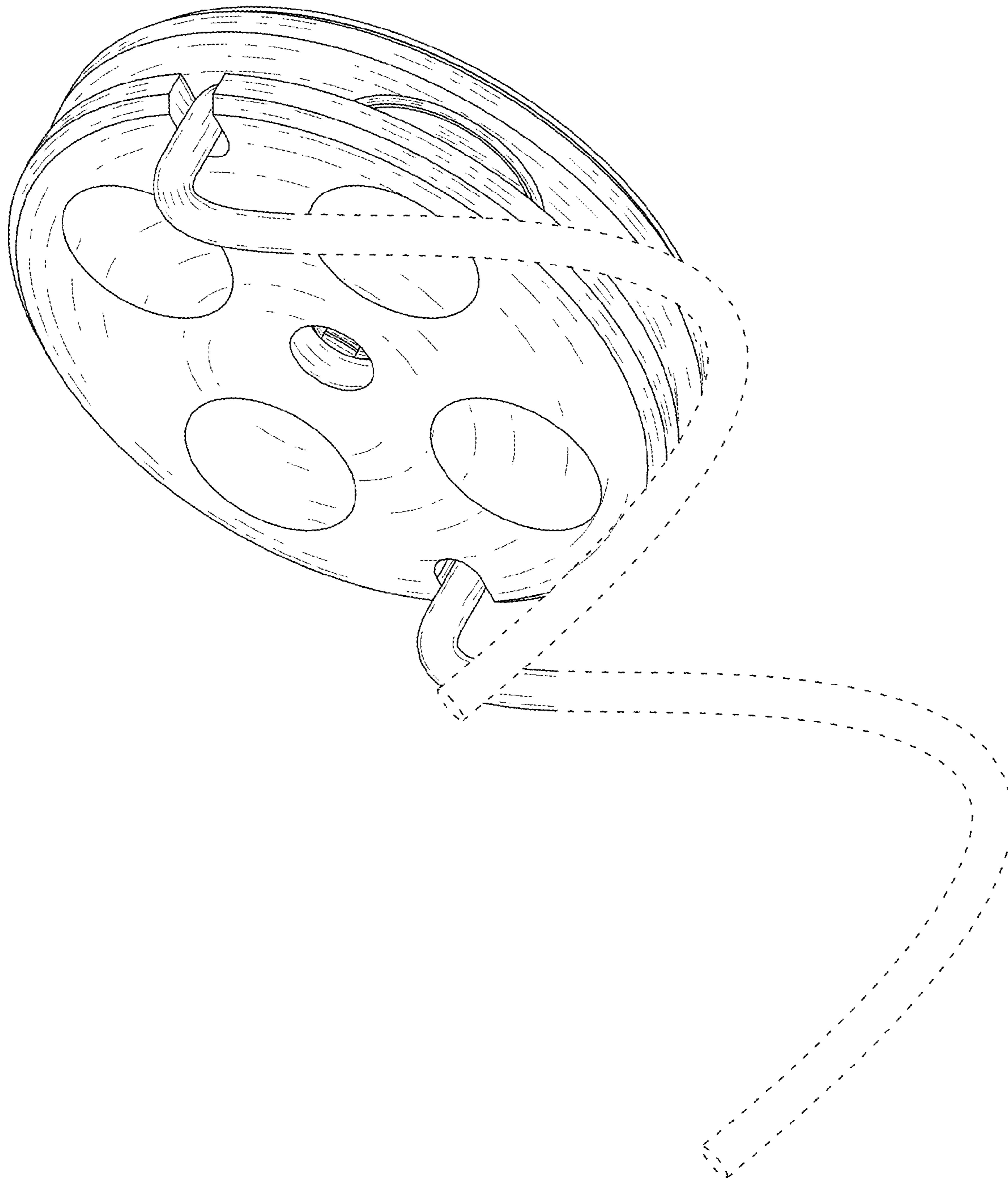


FIG. 2

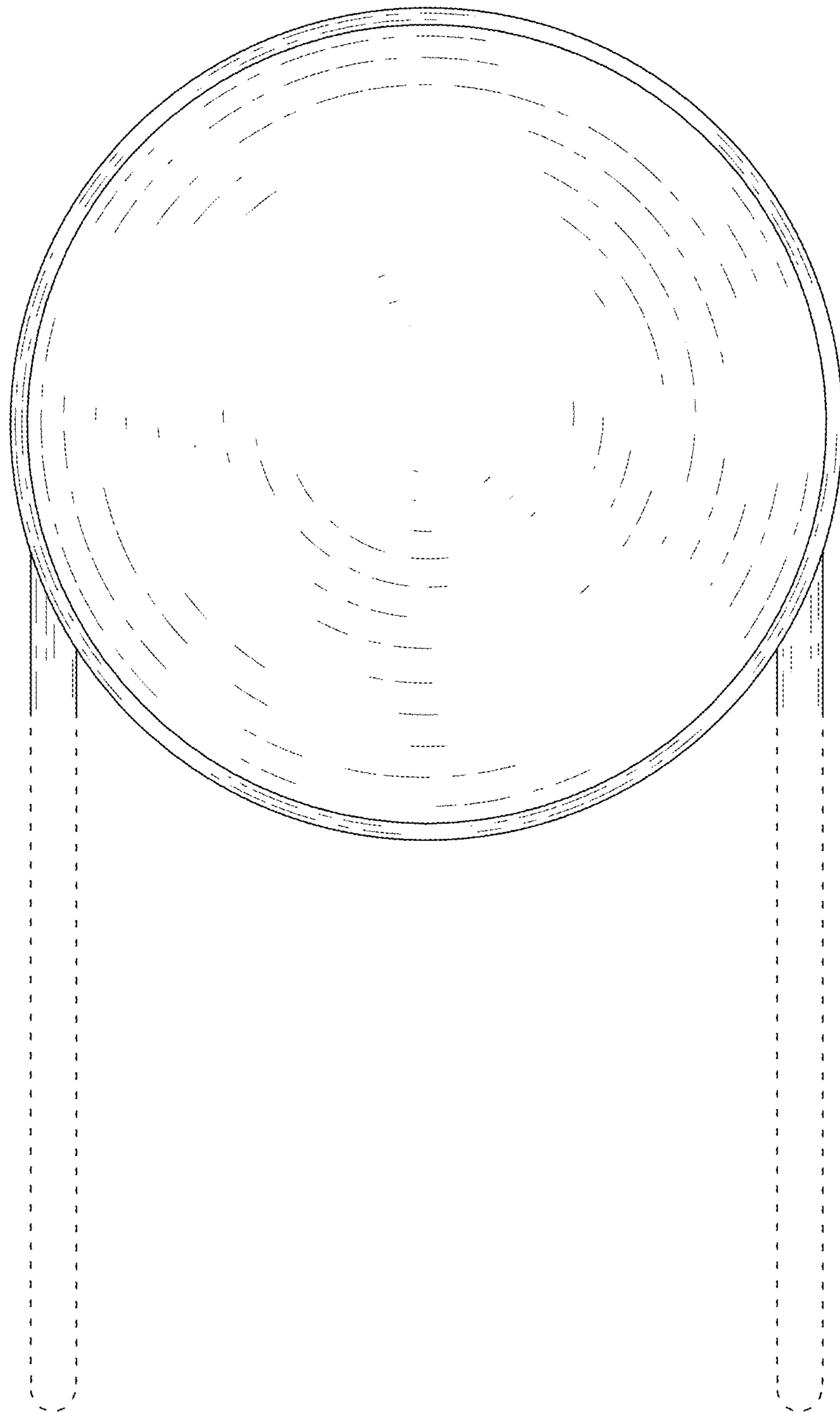


FIG. 3

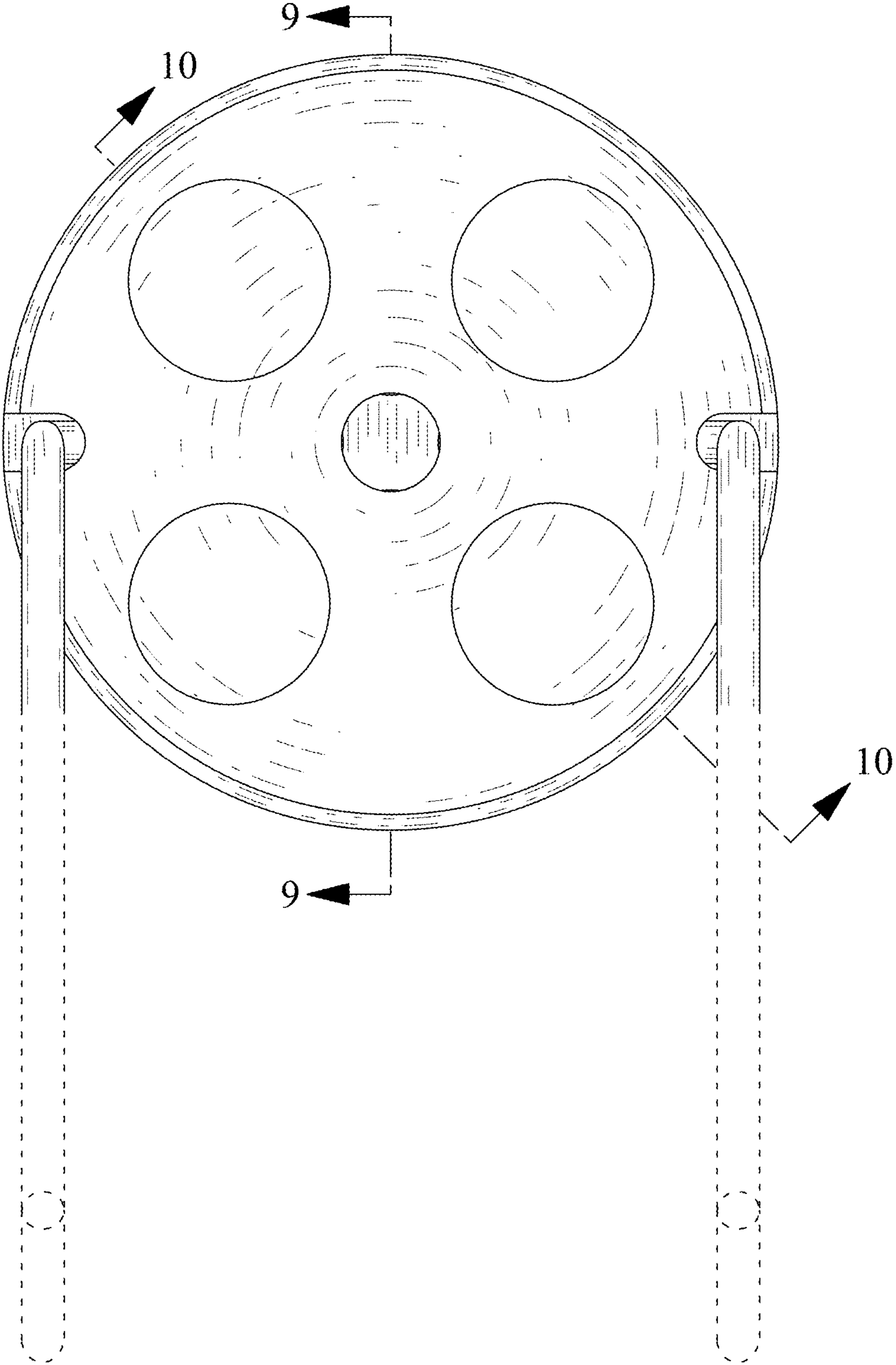


FIG. 4

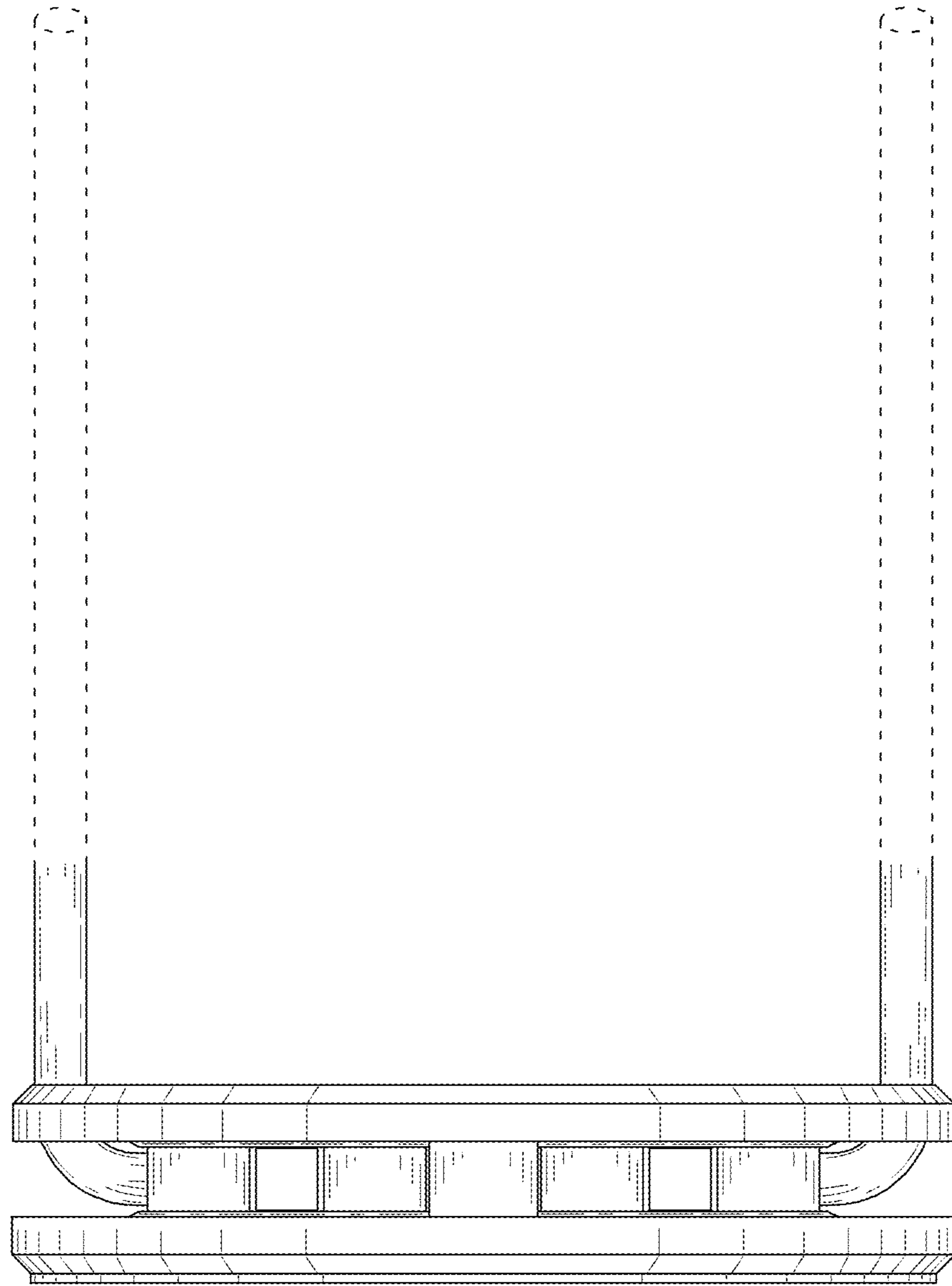


FIG. 5

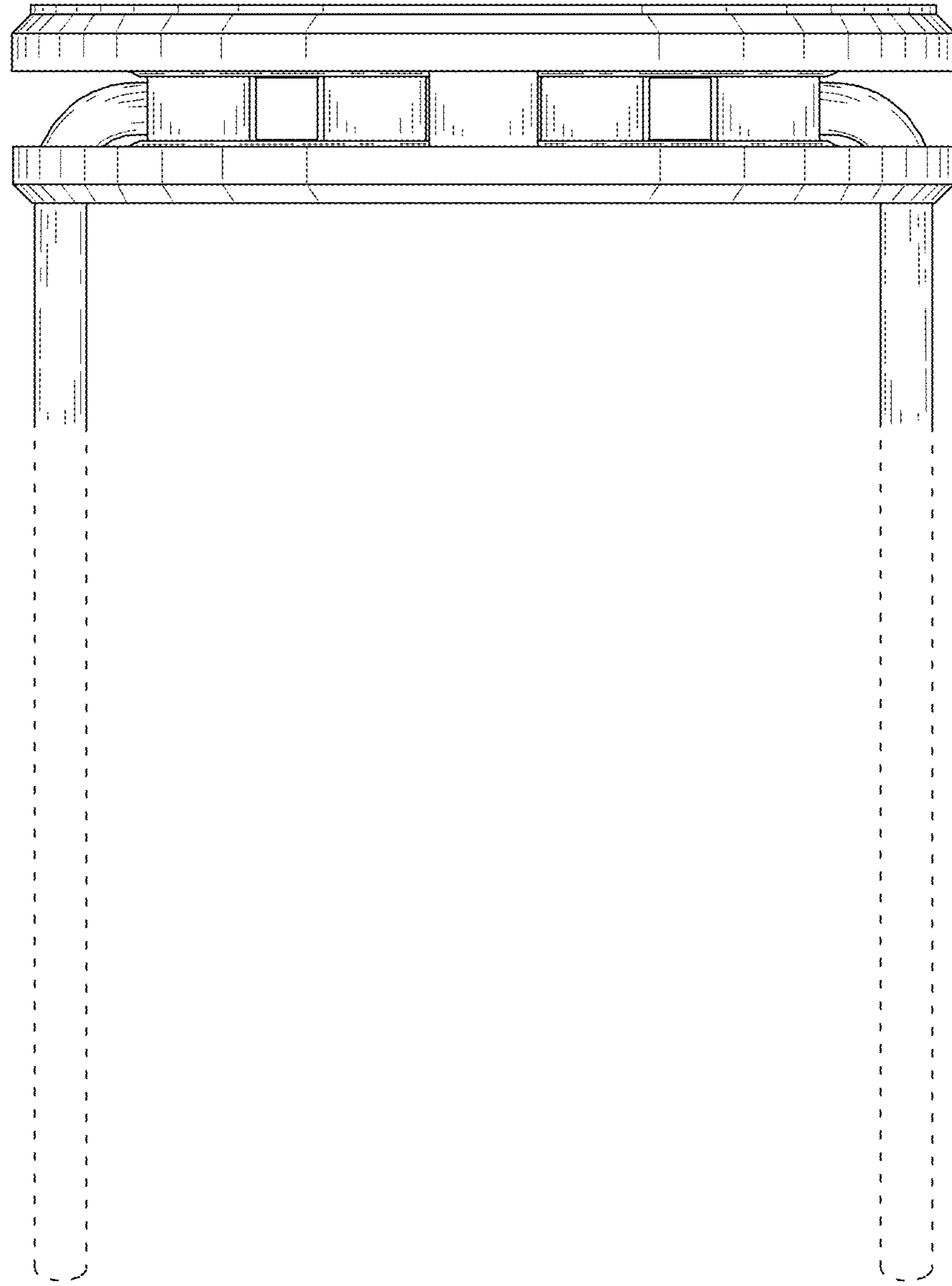


FIG. 6

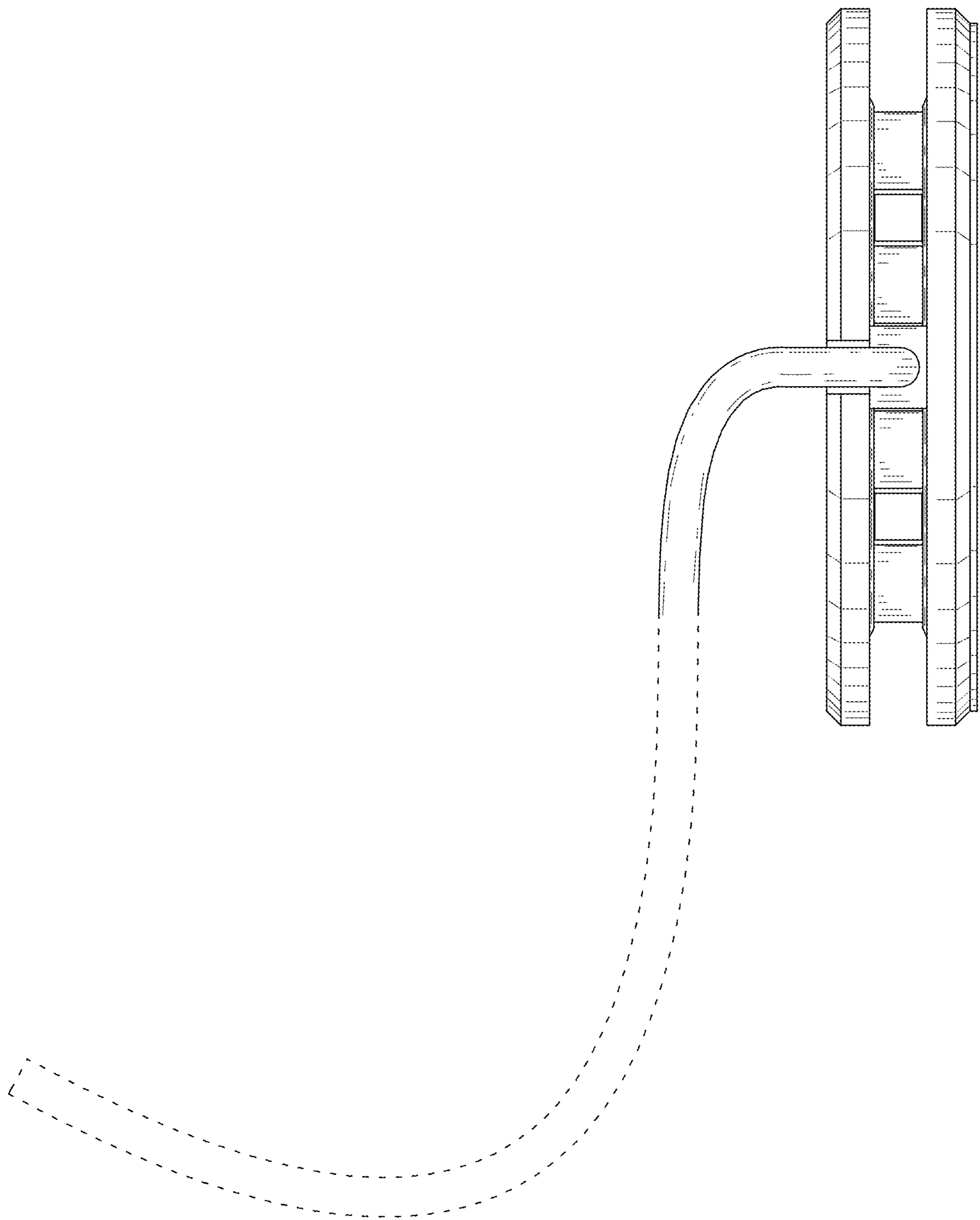


FIG. 7

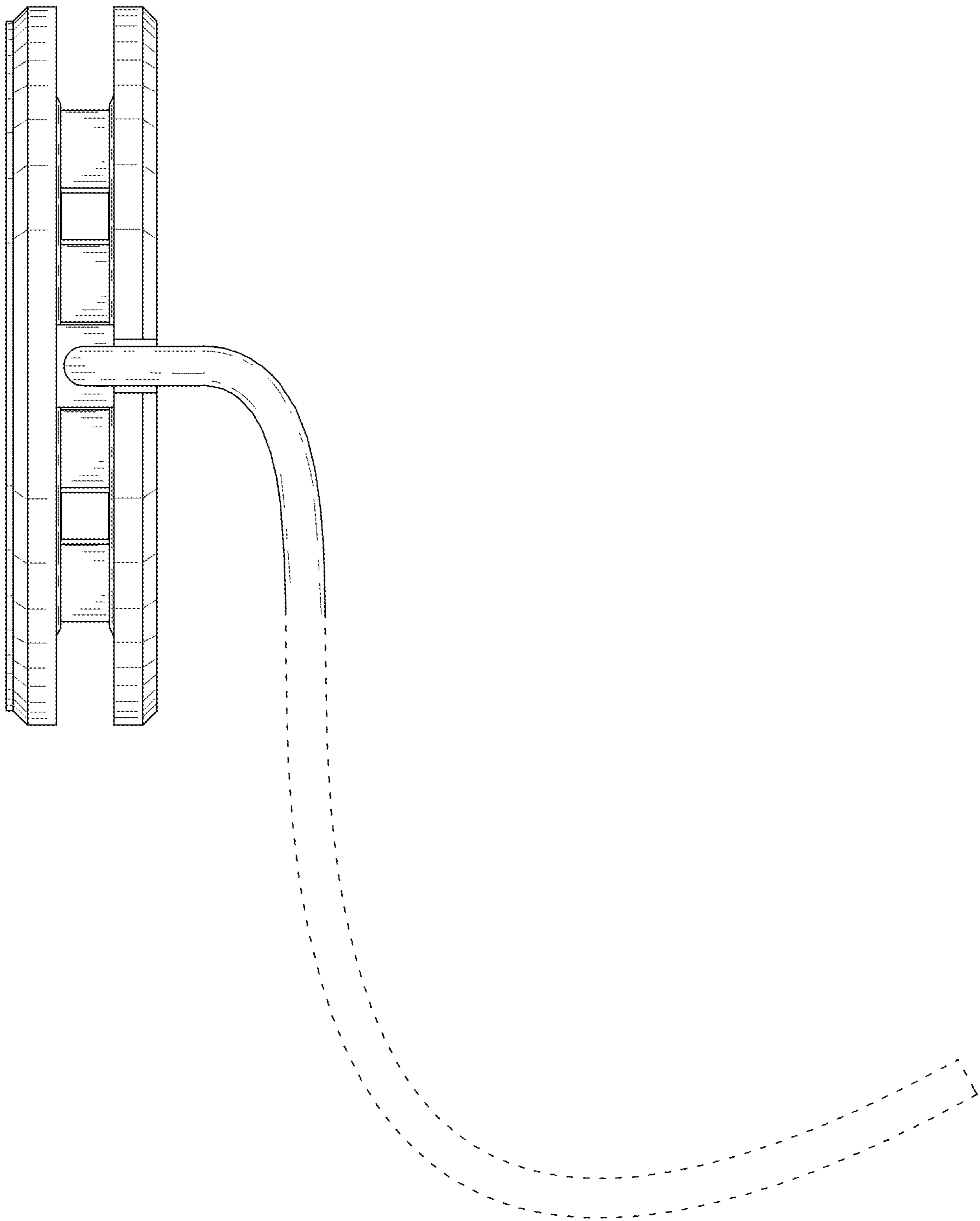


FIG. 8

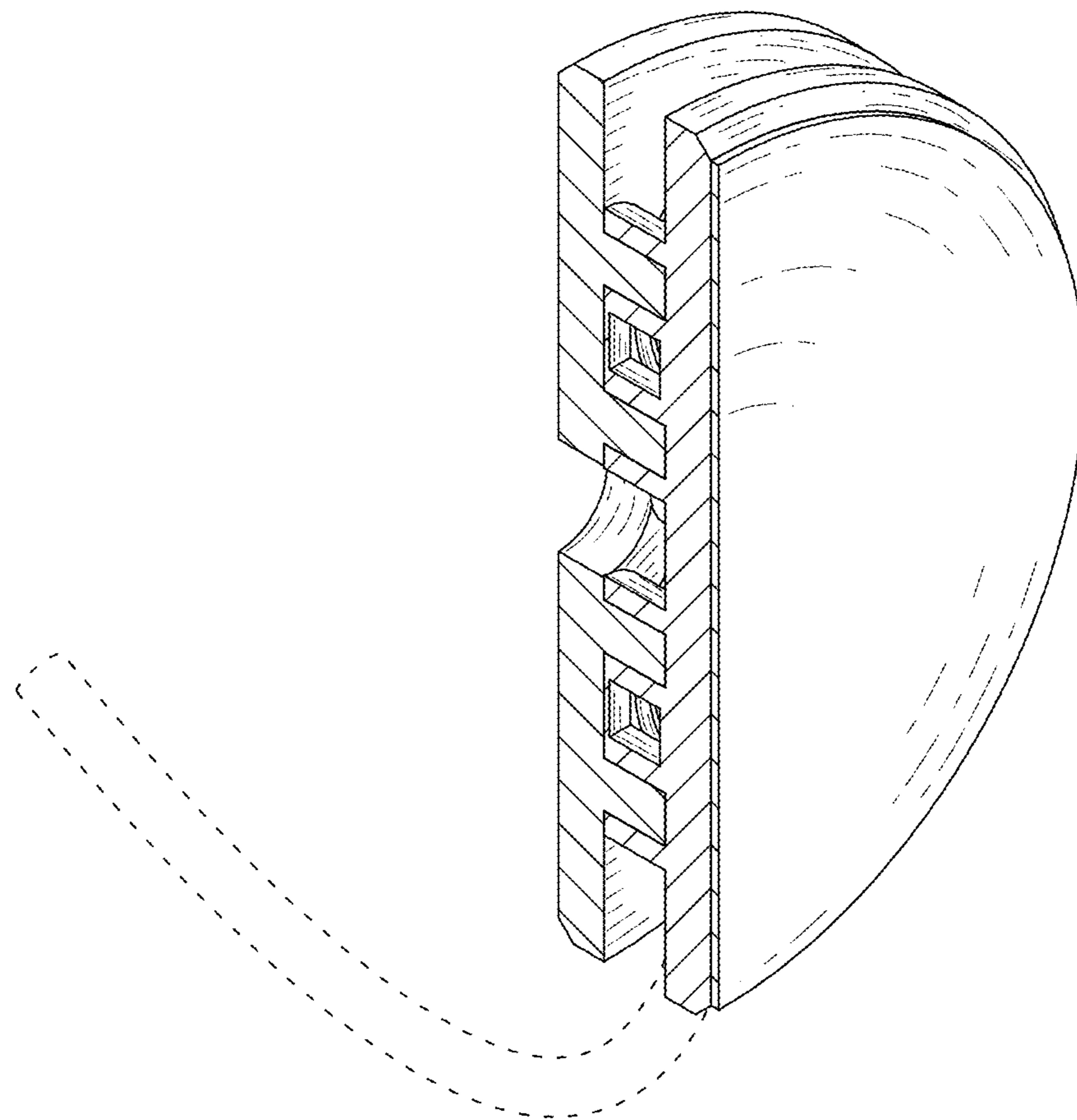


FIG. 9

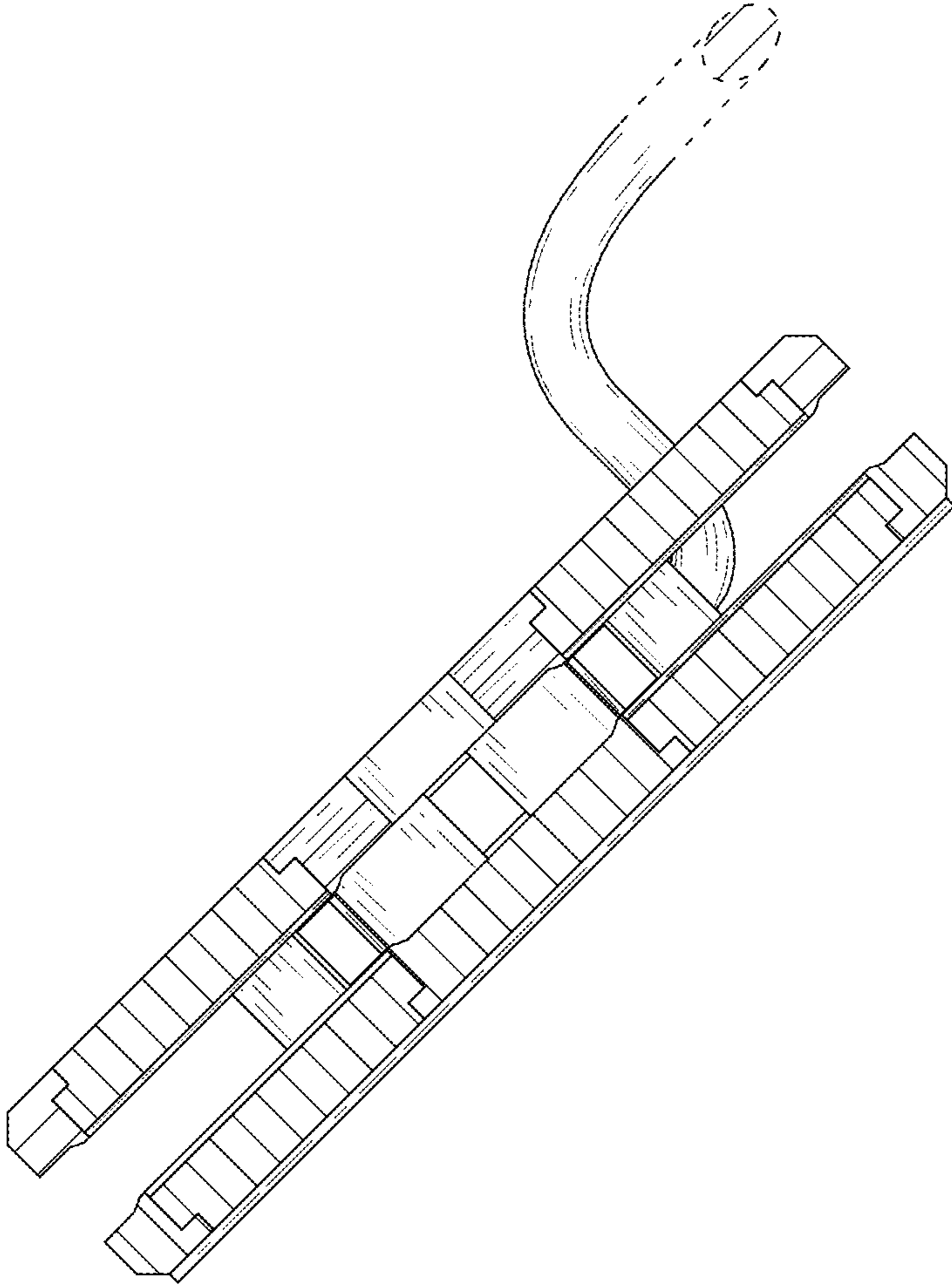


FIG. 10

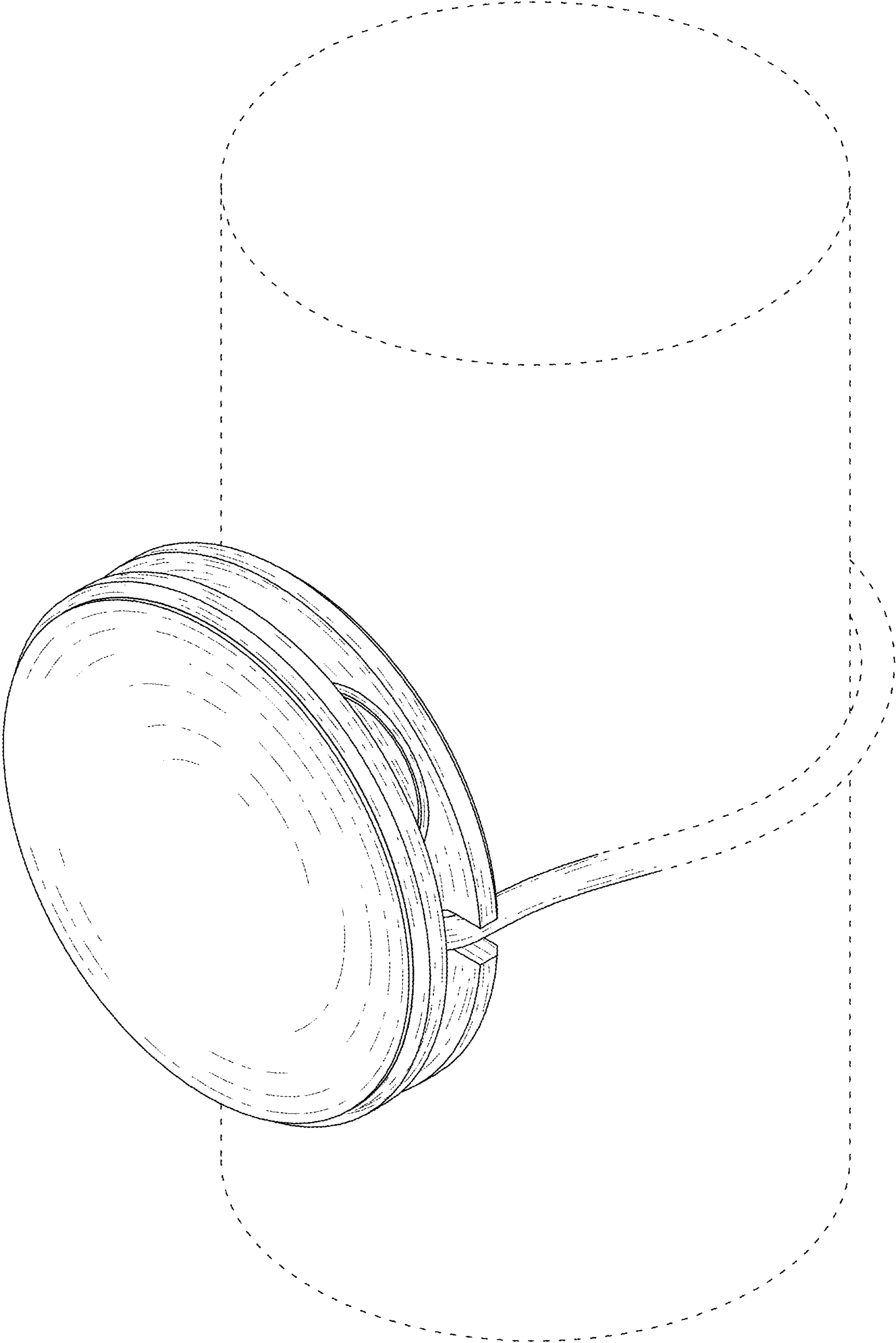


FIG. 11

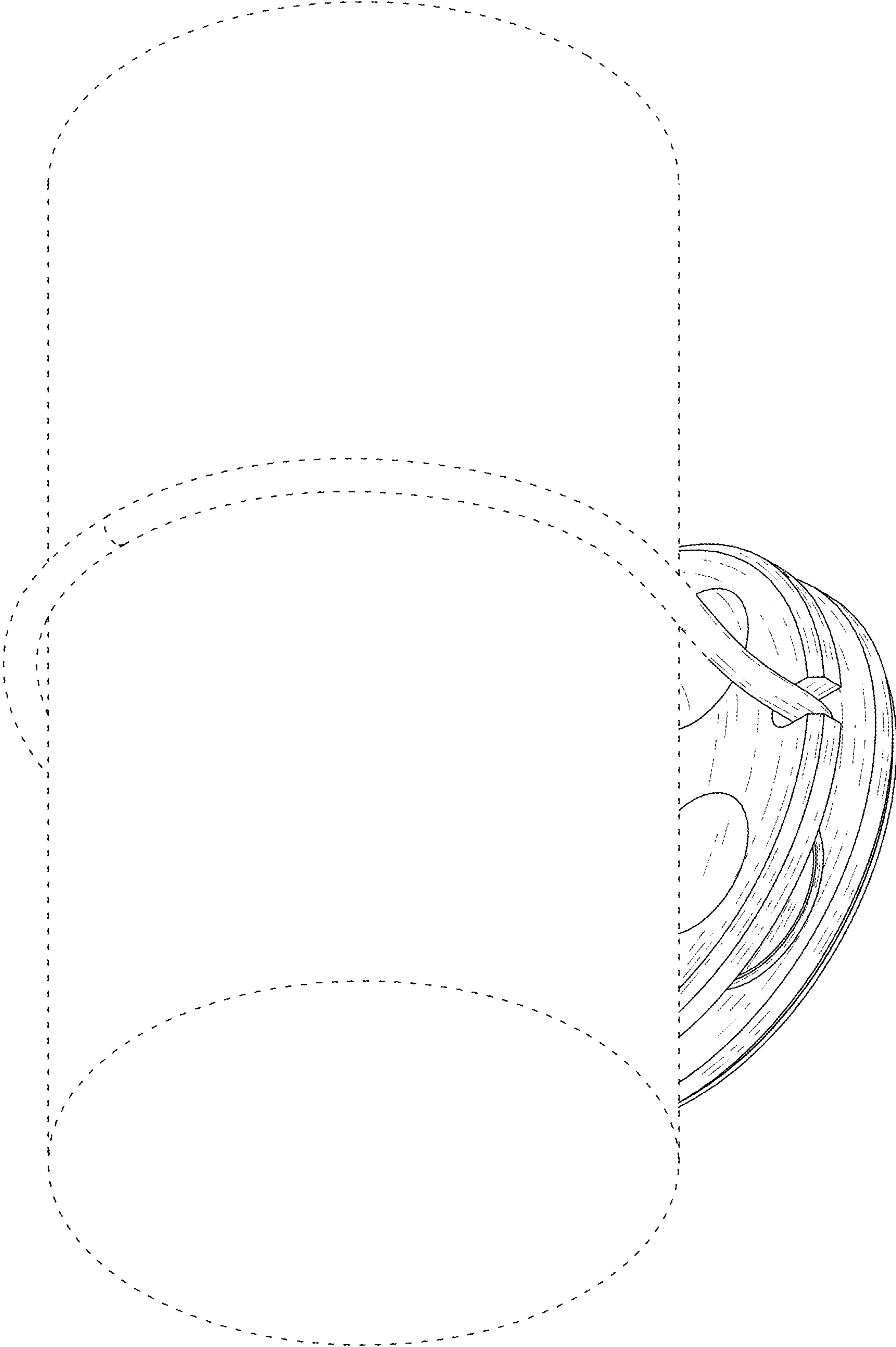


FIG. 12