



US00D918925S

(12) **United States Design Patent** (10) **Patent No.:** **US D918,925 S**
Fine et al. (45) **Date of Patent:** **** May 11, 2021**

(54) **HOLDER FOR A PORTABLE ELECTRONIC DEVICE**

Primary Examiner — Angela J Lee
(74) *Attorney, Agent, or Firm* — Brion Raffoul

(71) Applicants: **Seth Fine**, Plantation, FL (US);
Michael Furshman, Park City, UT (US)

(57) **CLAIM**

(72) Inventors: **Seth Fine**, Plantation, FL (US);
Michael Furshman, Park City, UT (US)

The ornamental design for a holder for a portable electronic device, design as shown and described.

(**) Term: **15 Years**

DESCRIPTION

(21) Appl. No.: **29/685,045**

(22) Filed: **Mar. 26, 2019**

(51) **LOC (13) Cl.** **08-07**

(52) **U.S. Cl.**
USPC **D14/447**

(58) **Field of Classification Search**
USPC D14/447, 432, 434, 439, 440, 451, 452,
D14/457, 239, 253; D8/363, 373, 380;
D6/406.3, 406.4, 406.5, 406.6; D12/415
(Continued)

FIG. 1 is a perspective view of a holder for a portable electronic device showing the subject design;
FIG. 2 is a front view of the holder for a portable electronic device shown in FIG. 1;
FIG. 3 is a back view of the holder for a portable electronic device shown in FIG. 1;
FIG. 4 is a left side view of the holder for a portable electronic device shown in FIG. 1;
FIG. 5 is a right side view of the holder for a portable electronic device shown in FIG. 1;
FIG. 6 is a top view of the holder for a portable electronic device shown in FIG. 1;
FIG. 7 is a bottom view of the holder for a portable electronic device shown in FIG. 1;
FIG. 8 is a perspective view of a variant of the holder for a portable electronic device shown in FIG. 1;
FIG. 9 is a front view of the holder for a portable electronic device shown in FIG. 8;
FIG. 10 is a back view of the holder for a portable electronic device shown in FIG. 8;
FIG. 11 is a left side view of the holder for a portable electronic device shown in FIG. 8;
FIG. 12 is a right side view of the holder for a portable electronic device shown in FIG. 8;
FIG. 13 is a top view of the holder for a portable electronic device shown in FIG. 8; and,
FIG. 14 is a bottom view of the holder for a portable electronic device shown in FIG. 8.

(56) **References Cited**

U.S. PATENT DOCUMENTS

D588,139 S * 3/2009 Fujino D14/447
D590,404 S * 4/2009 Kim D14/447
(Continued)

FOREIGN PATENT DOCUMENTS

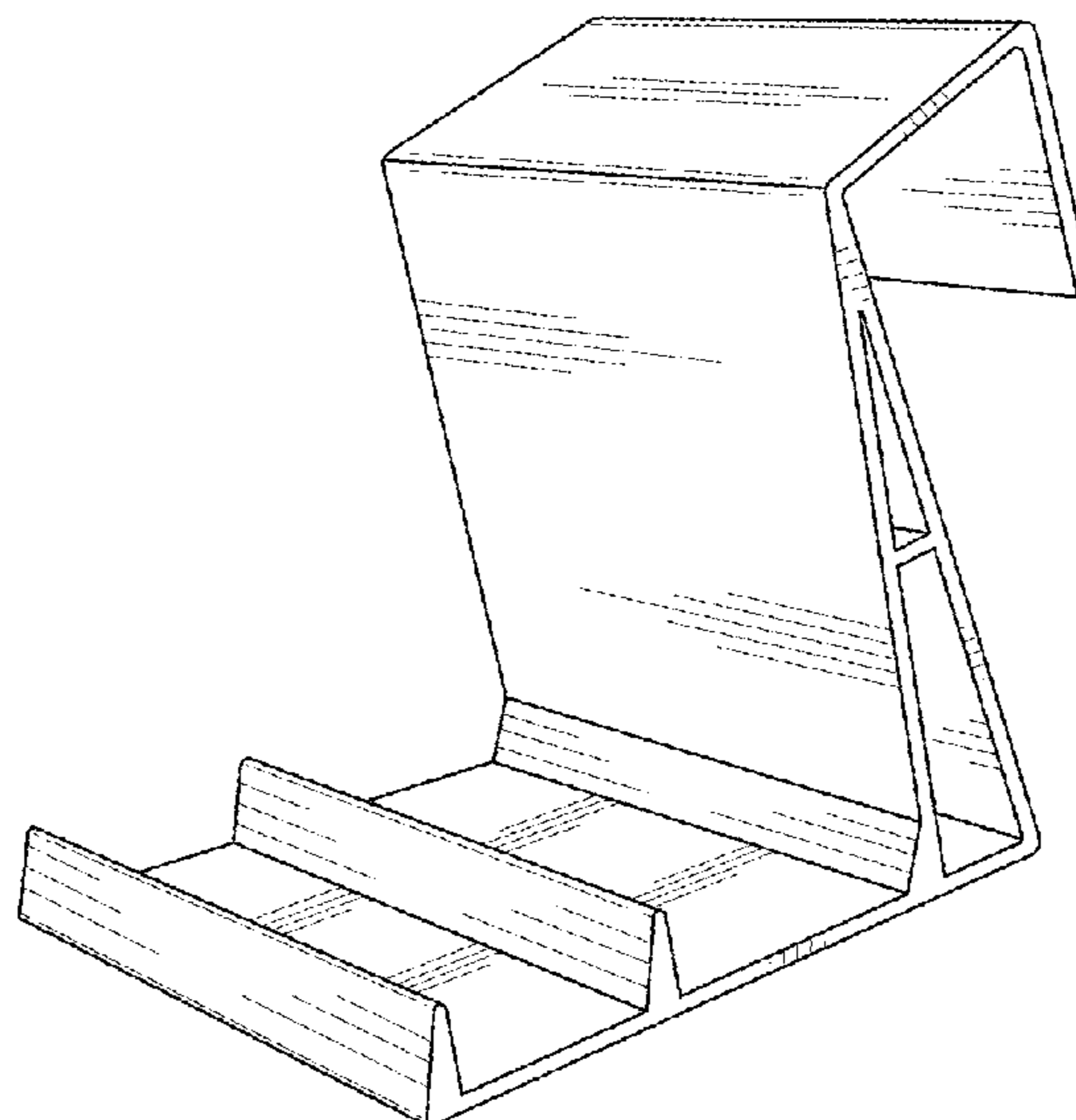
CN 105644457 A 6/2016
CN 105799603 A 7/2016
(Continued)

OTHER PUBLICATIONS

“Tablethookz—Create Your Own In-Flight Seatback Entertainment”. Tablethookz, 2018, <https://tablethookz.com/>. Accessed May 15, 2018.

(Continued)

1 Claim, 5 Drawing Sheets



(58) **Field of Classification Search**

CPC A47B 21/04; A47B 2009/006; A47B 2097/005; A47B 2023/049; A45C 2011/002; A45C 2011/003; F16M 2200/00; F16M 13/00

See application file for complete search history.

(56) **References Cited**

U.S. PATENT DOCUMENTS

7,561,415	B2	7/2009	Liou	
D642,582	S *	8/2011	Largy	D14/447
D647,881	S *	11/2011	Warner	D14/217
D714,297	S *	9/2014	Poulsen	D14/447
D722,064	S *	2/2015	Zwerner	D14/447
9,167,706	B2	10/2015	Holmstrom	
D754,136	S *	4/2016	Schoening	D14/447
D754,668	S *	4/2016	Manabe	D14/447
D778,105	S *	2/2017	Coffey, Jr.	D7/388
D787,521	S *	5/2017	Chen	D14/447
D847,142	S *	4/2019	Furshman	D14/447
D853,377	S *	7/2019	Crandon	D14/253
D861,004	S *	9/2019	Navasardyan	D14/447
2011/0278885	A1	11/2011	Procter	
2014/0048662	A1	2/2014	Ferris	
2015/0108798	A1	4/2015	Boyer, Jr.	
2016/0039349	A1	2/2016	Casagrande	
2016/0257404	A1	9/2016	Ferris	
2017/0237843	A1	8/2017	Ackeret	
2017/0349200	A1	12/2017	Winton	

FOREIGN PATENT DOCUMENTS

CN	106627402	A	5/2017
DE	10 2011 075 621	A1	11/2011
GB	2502948	A	12/2013
WO	2012/138699	A1	10/2012

OTHER PUBLICATIONS

“Touch Screen for Raspberry Pi 3 Kit,Quimat 35 Inch 320×480 Resolution TFT LCD Display With Protective Case for Raspberry Pi 3 Model B, Pi 2 Model B & Pi Model B With Protective

Case—Clickymicky”. Clickymicky.Com, 2018, <http://clickymicky.com/touch-screen-for-raspberry-pi-3-kitquimat-3-5-inch-320x480-resolution-tft-lcd-display-with-protective-case-for-raspberry-pi-3-model-b-pi-2-model-b-pi-model-b-with-protective-case/>. Accessed May 15, 2018.

“Skomet Multi-Angle Adjustable Phone Stand (Red)”. English, 2018, <http://store.cavaraty.com/skomet-multi-angle-adjustable-phone-stand-red.html>. Accessed May 15, 2018.

“\$2.41 Adjustable Multi-Angle Holder Stand for Cellphones / Tablet Pcs—Foldable / 5-Position / Black at Fasttech—Worldwide Free Shipping”. Fasttech—Cool Gadgets and Electronics, 2018, <https://www.fasttech.com/product/2318303-adjustable-multi-angle-holder-stand-for>. Accessed May 15, 2018.

“ASZUNE Foldable Multi-Angle Phone Stand Desk Portable Lazy Holder Mount for Samsung Xiaomi Tablet”. Wwww.Banggood.com, 2018, https://www.banggood.com/ASZUNE-Foldable-Multi-angle-Phone-Stand-Desk-Portable-Lazy-Holder-Mount-for-Samsung-Xiaomi-Tablet-p-1153560.html?cur_warehouse=CN. Accessed May 15, 2018.

Amazon.com, 2018, <https://www.amazon.com/Digital-Tablet-Travel-Airplane-Blue/dp/B00I29UXLW>. Accessed May 15, 2018.

“The Airhook—Campers Village”. Campers-Village.Com, 2018, <http://www.campers-village.com/brand/The-Airhook/>. Accessed May 15, 2018.

Amazon.com, 2018, <https://www.amazon.com/Clamp-Champion-Pro-Universal-Smartphone/dp/B00P1HU2WI>. Accessed May 15, 2018.

“Arctic Flight—Let Your Ipad Fly!”. Kickstarter, 2018, <https://www.kickstarter.com/projects/501583891/arctic-flight-let-your-ipad-fly>. Accessed May 15, 2018.

“Hate Cramped Airplanes? The Airhook Holds Your Tablet and a Drink”. Digital Trends, 2018, <https://www.digitaltrends.com/mobile/hate-cramped-airplanes-the-airhook-holds-your-tablet-and-a-drink/>. Accessed May 15, 2018.

“23 Gadgets That Promise to Make Flying Better”. The Telegraph, 2018, <https://www.telegraph.co.uk/travel/galleries/essential-gadgets-to-make-air-travel-better/airhook/>. Accessed May 15, 2018.

Amazon.com, 2018, <https://www.amazon.com/Lockjaww-Flight-Device-Android-Tablets/dp/B01DFMECBC>. Accessed May 15, 2018.

“Iphone Hook for Airplanes by Jgrout”. Makerbot, 2018, <https://www.makerbot.com/media-center/2011/05/03/iphone-hook-for-airplanes-by-jgrout>. Accessed May 15, 2018.

* cited by examiner

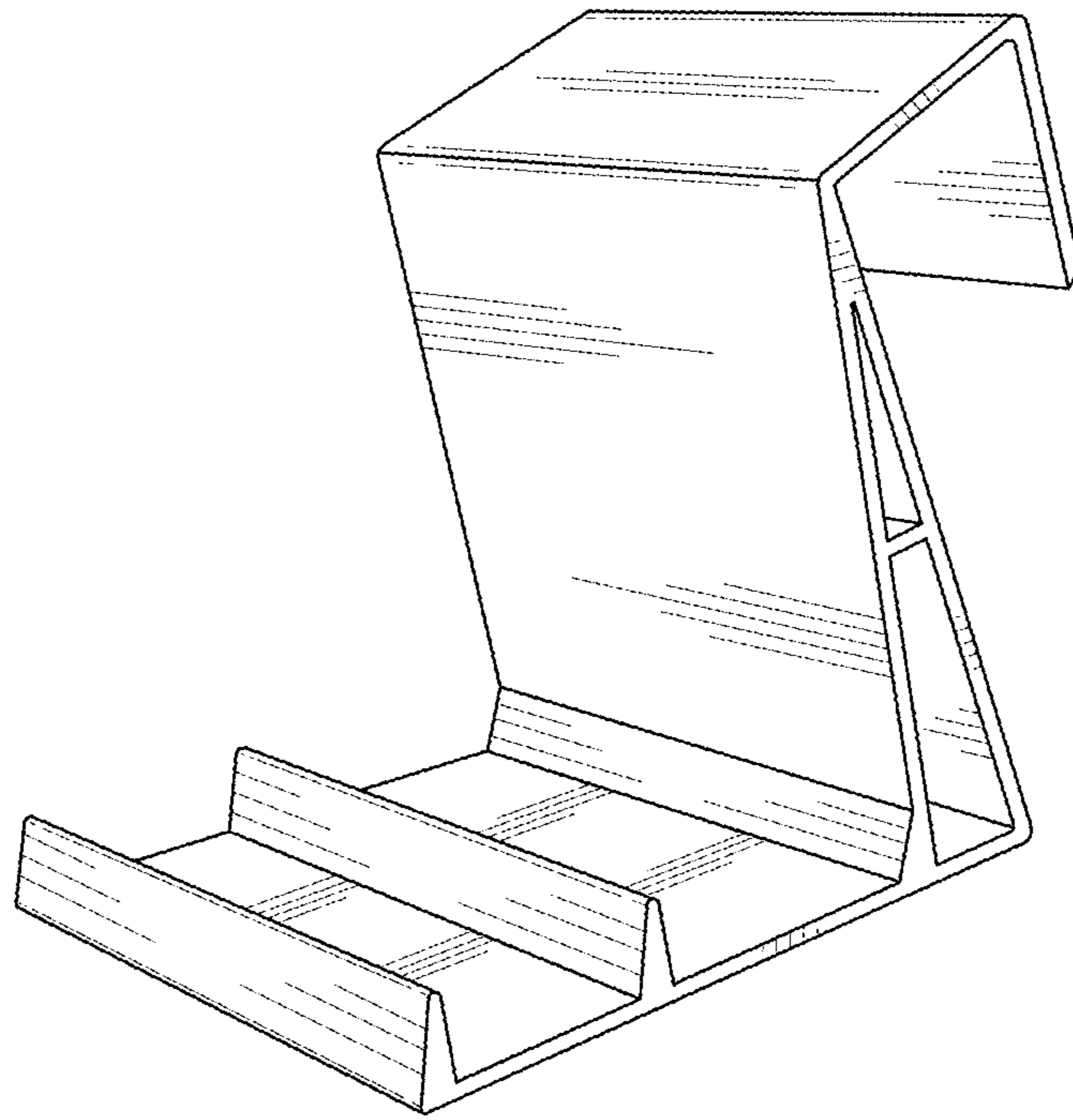


FIG. 1

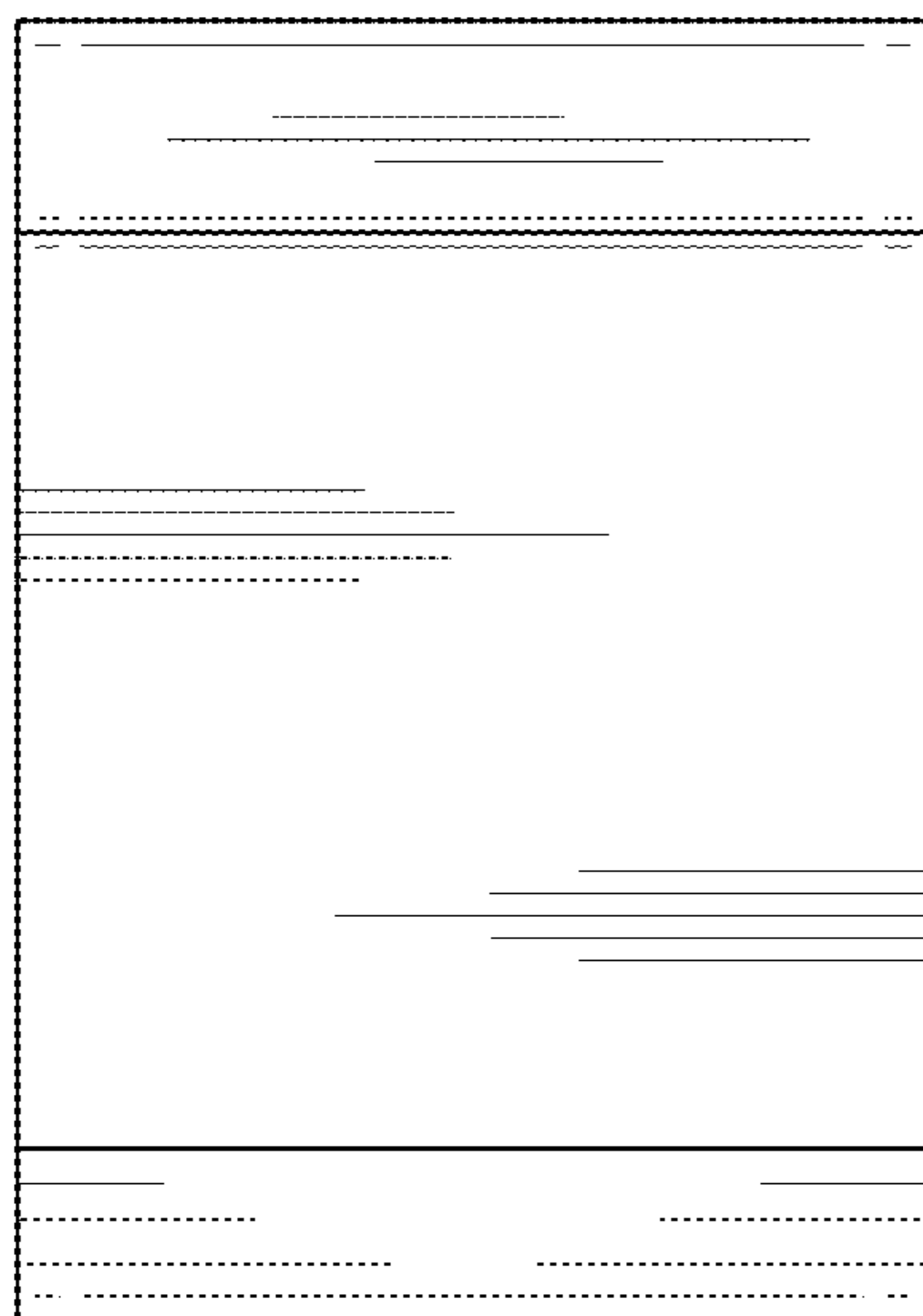


FIG. 2

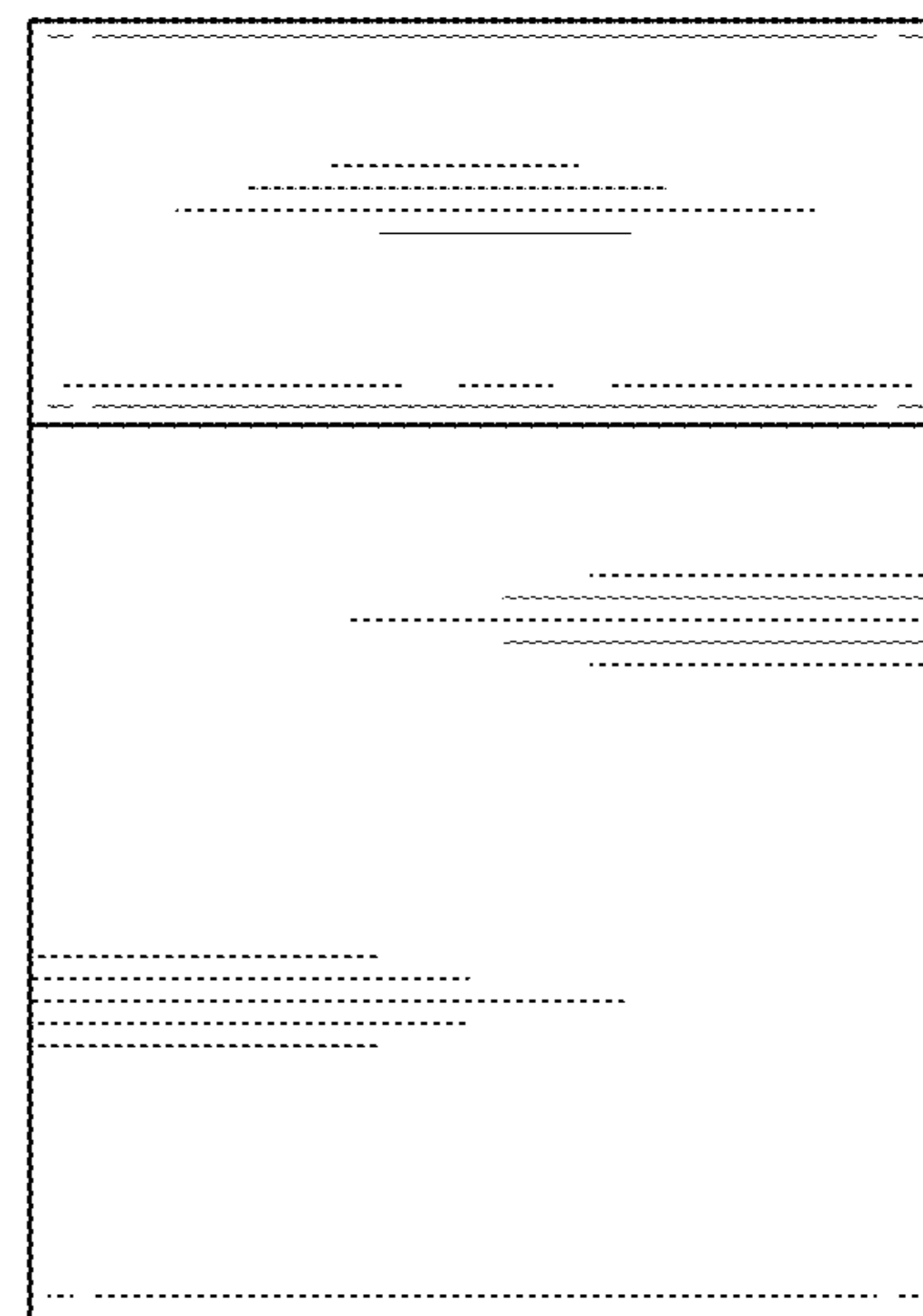


FIG. 3

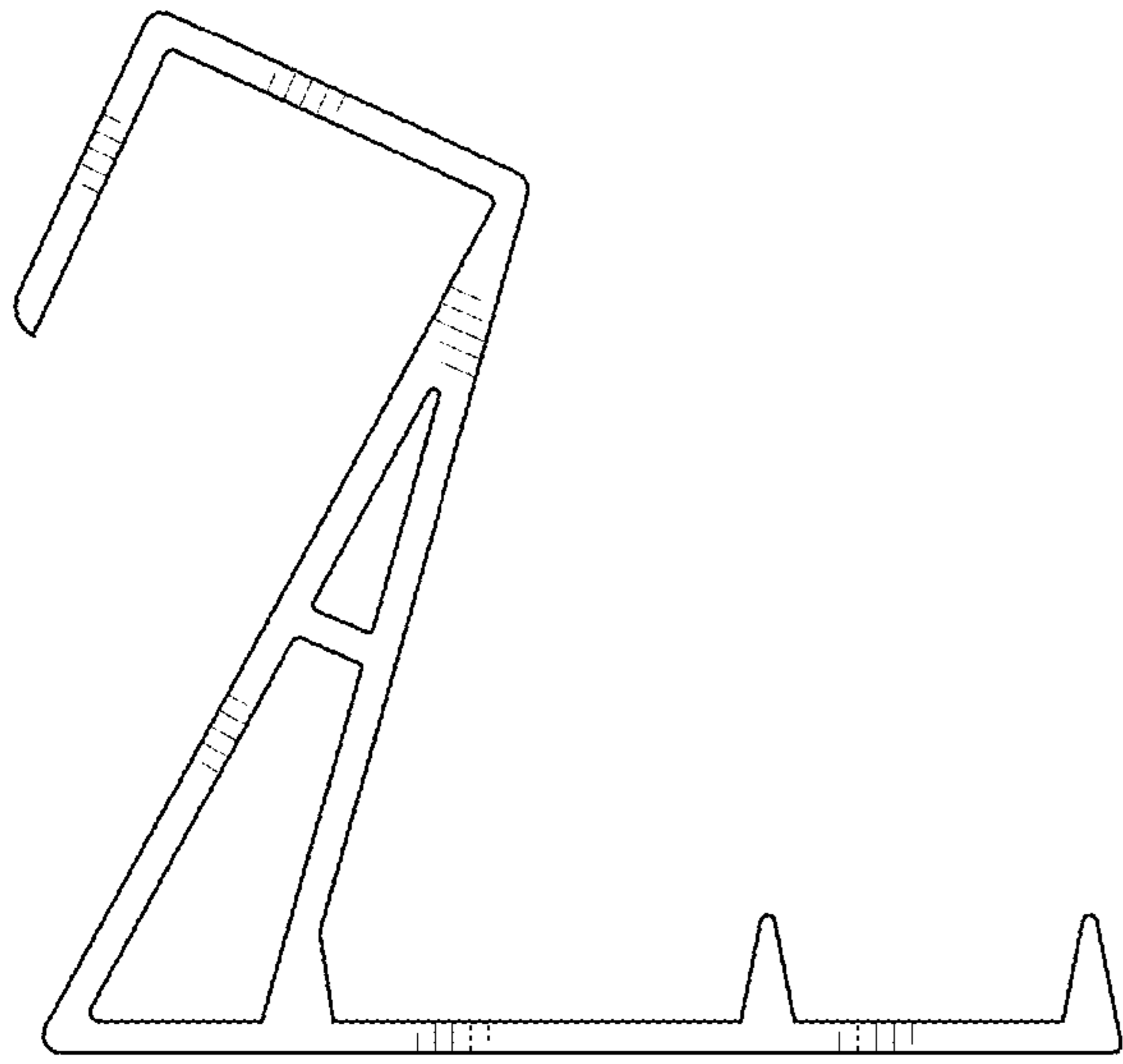


FIG. 4

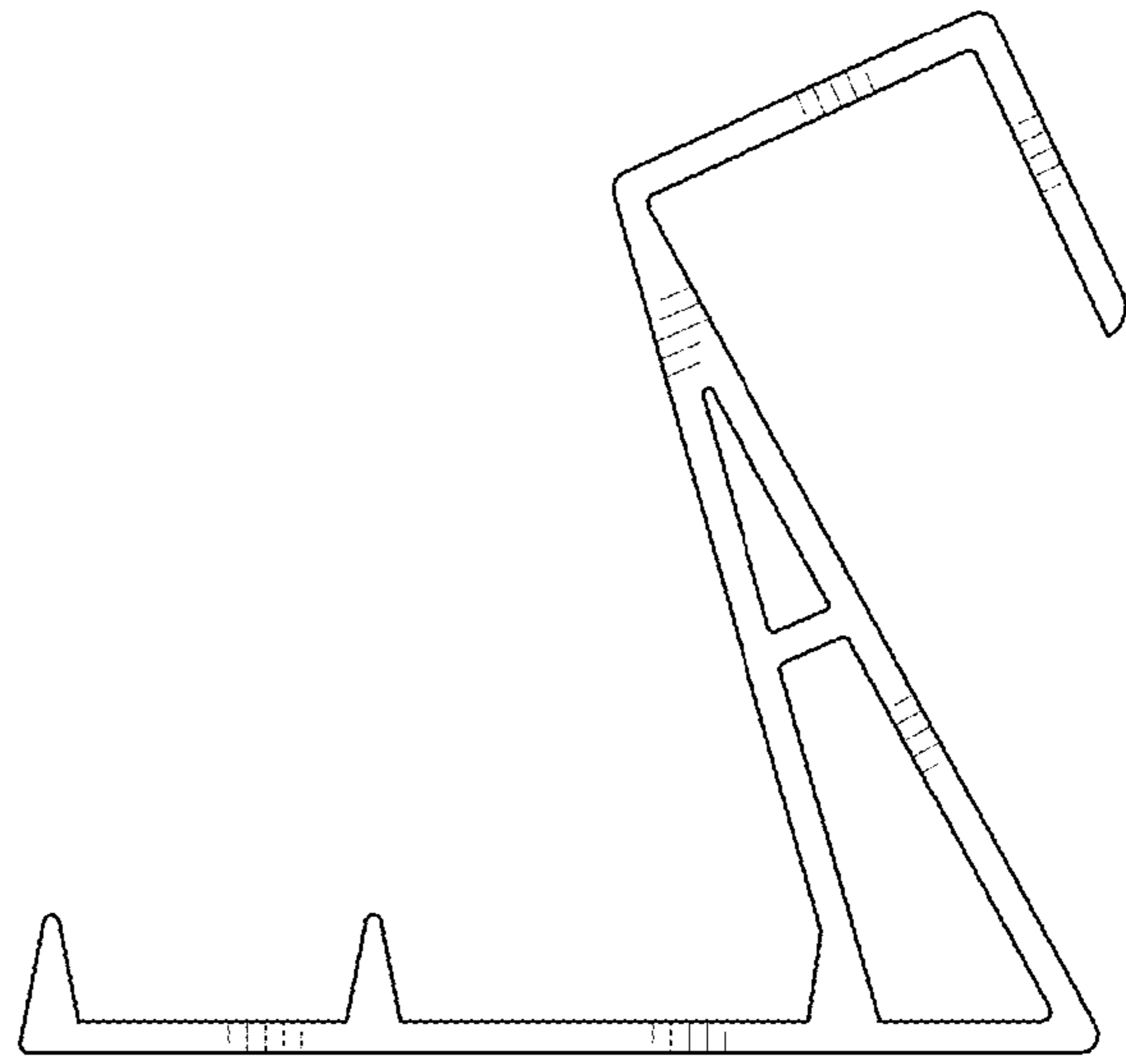


FIG. 5

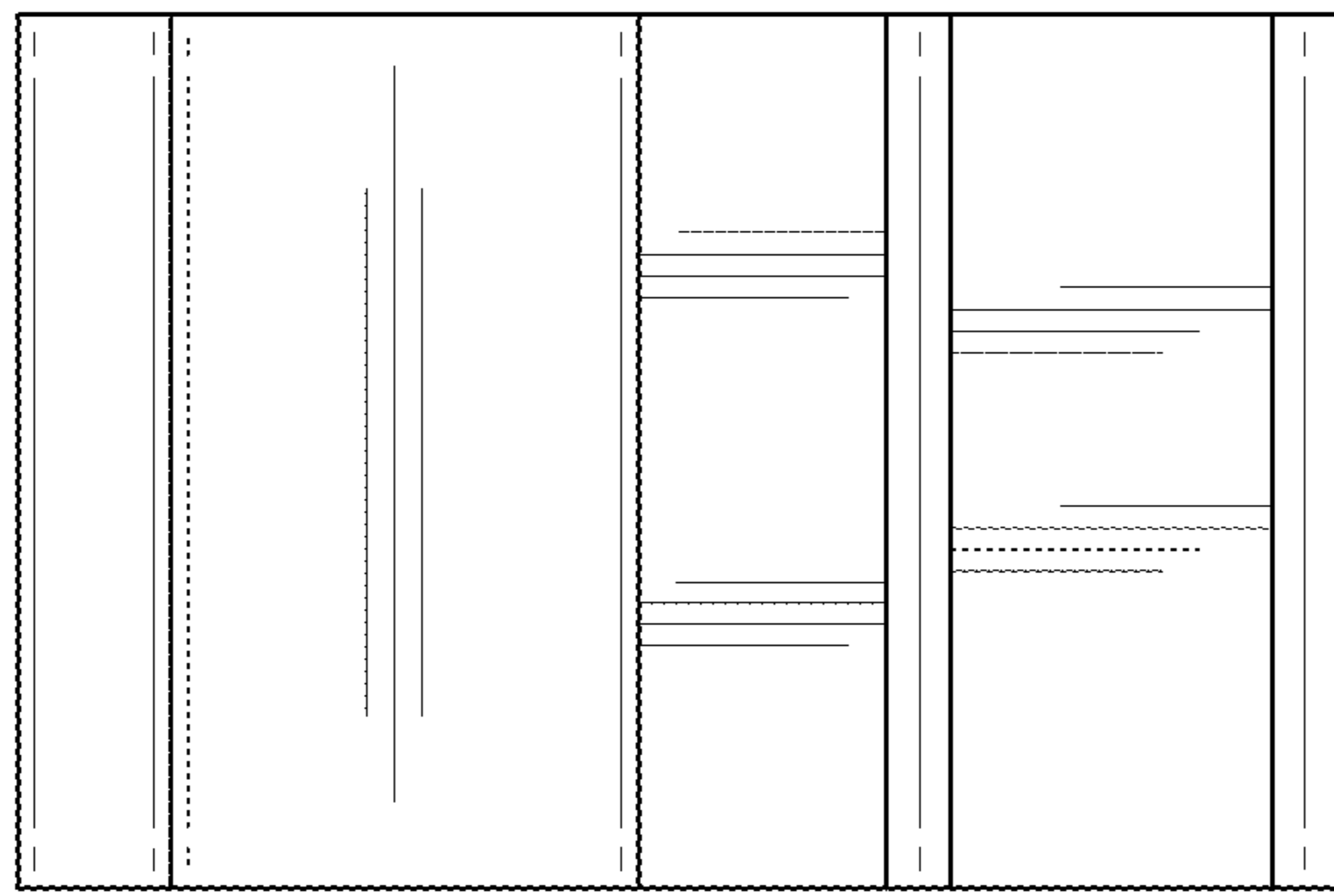


FIG. 6

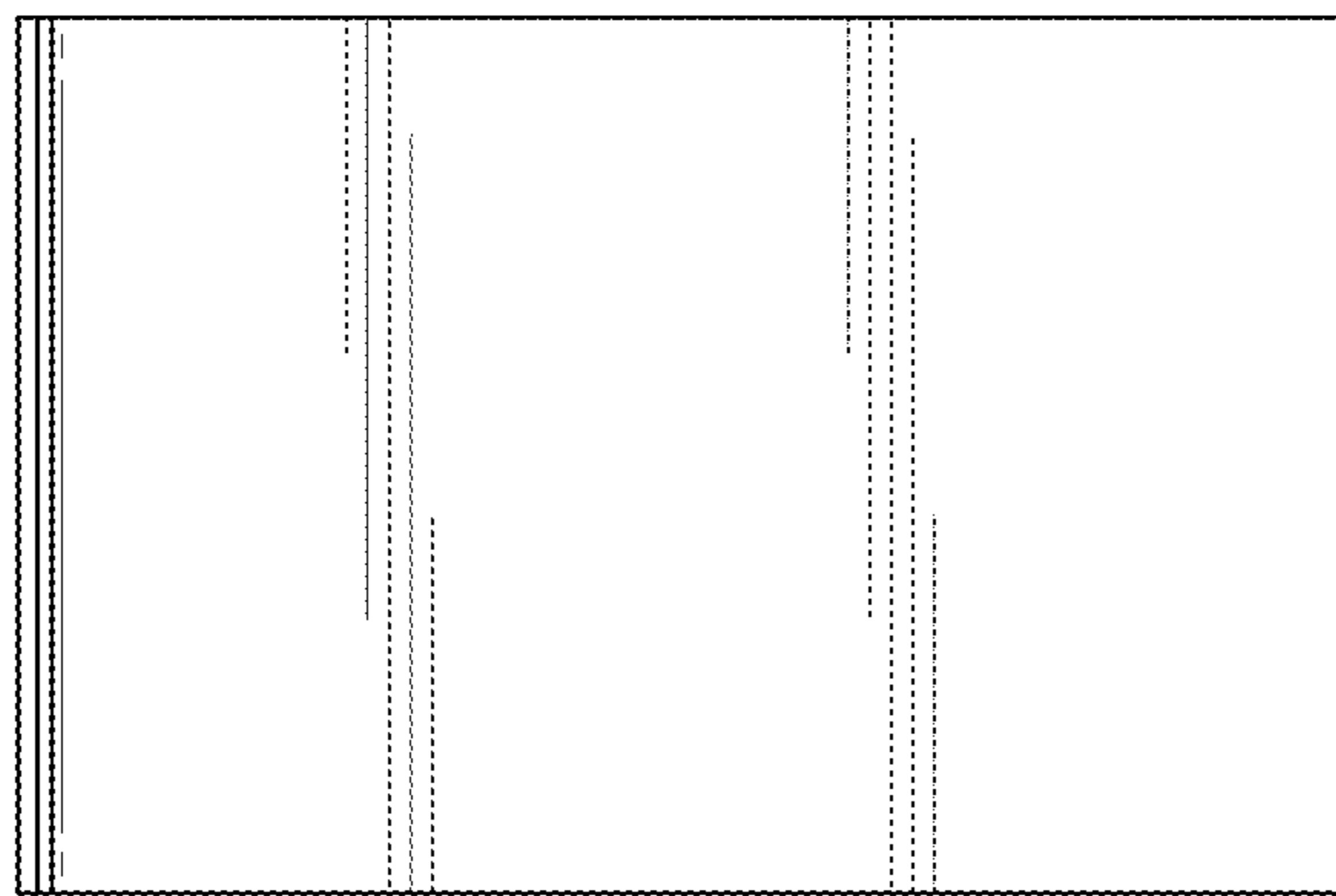


FIG. 7

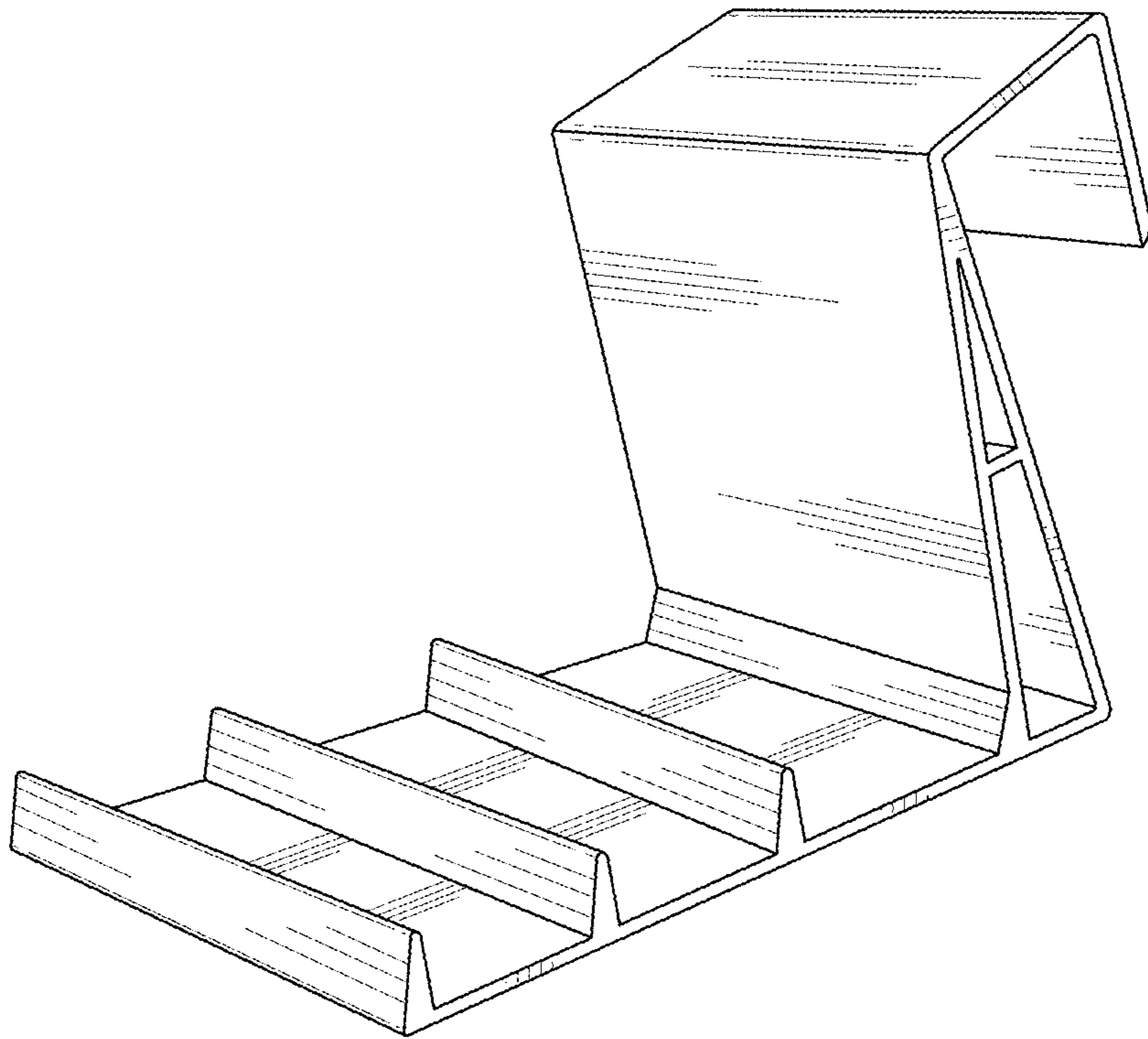


FIG. 8

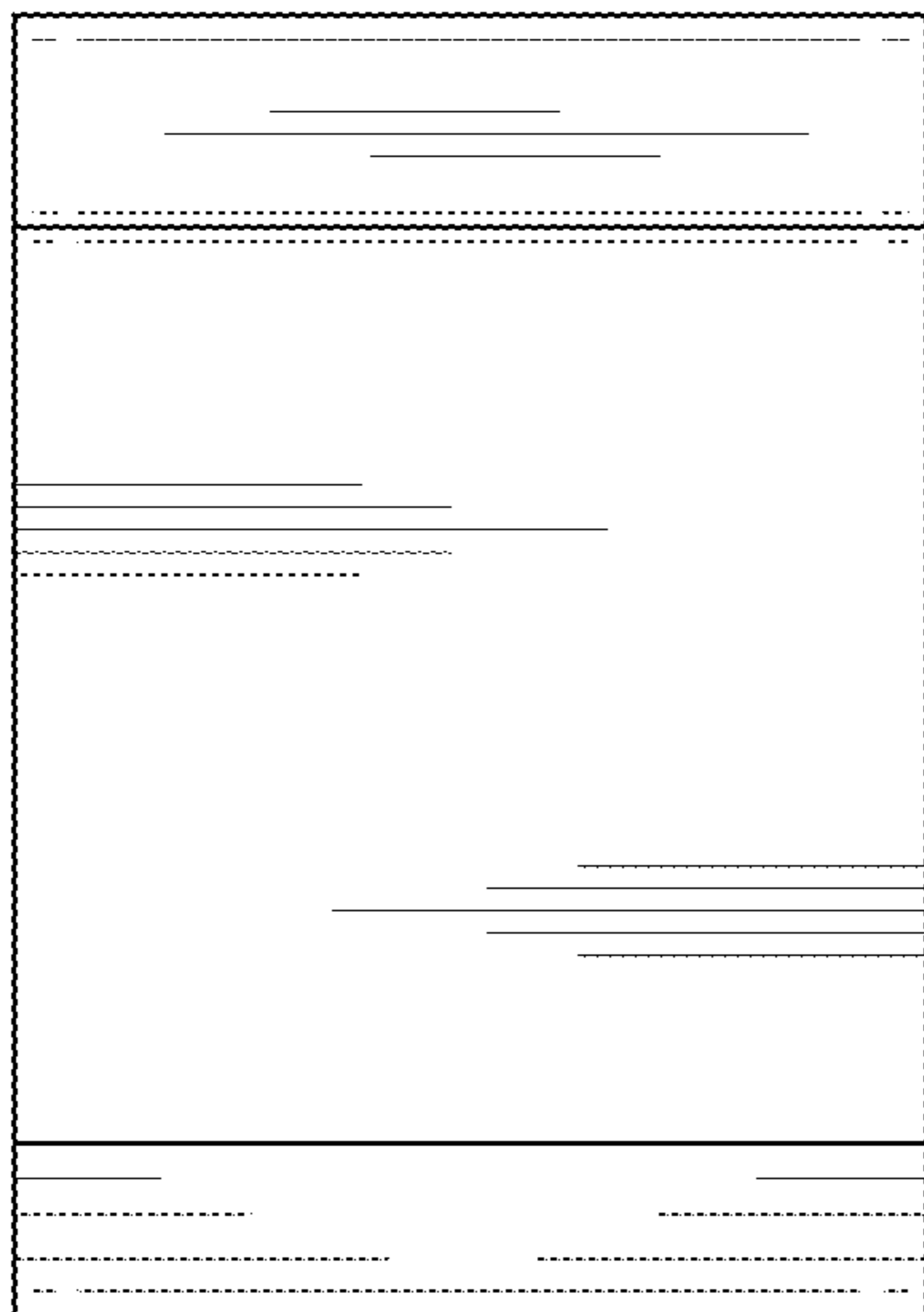


FIG. 9

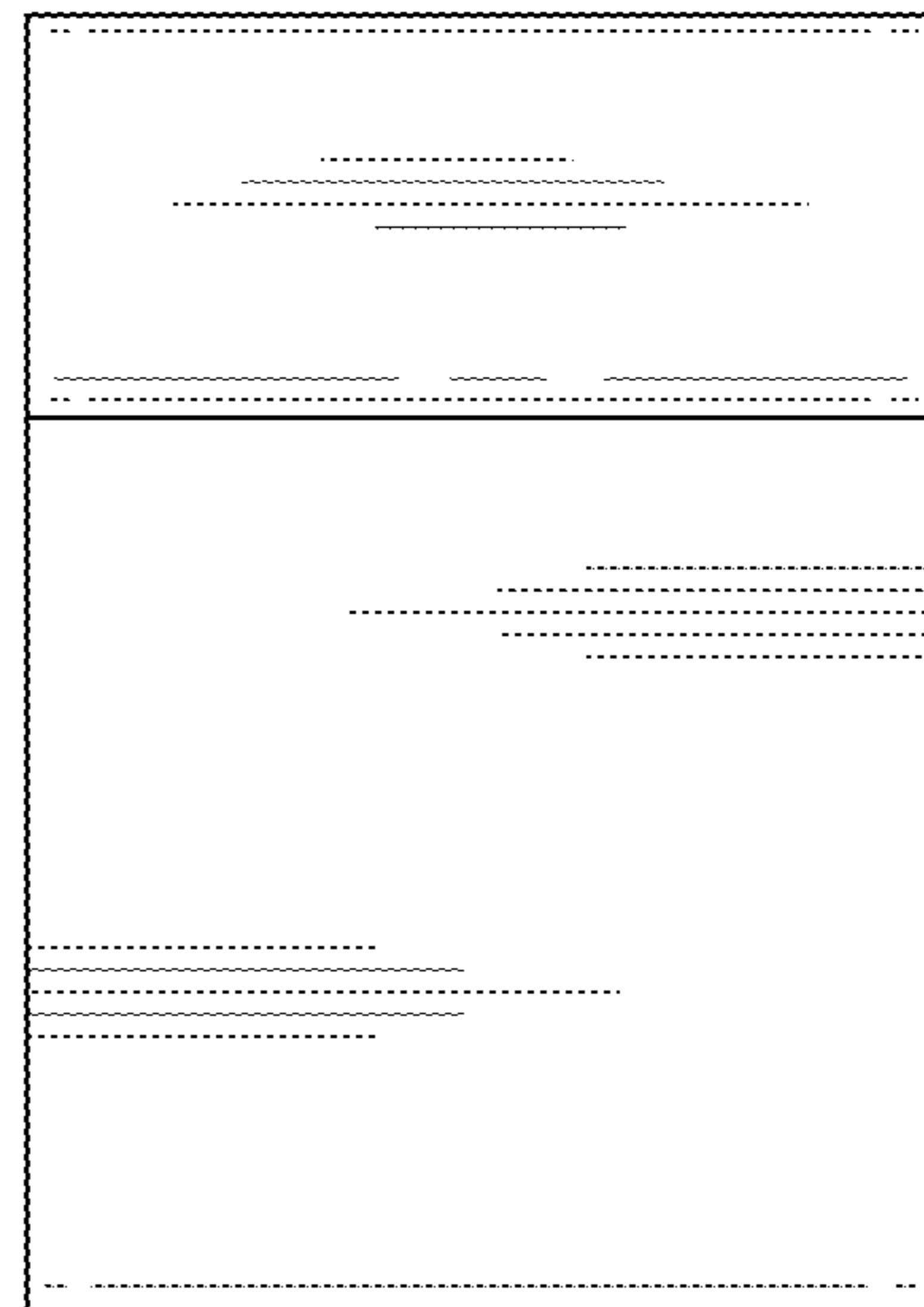


FIG. 10

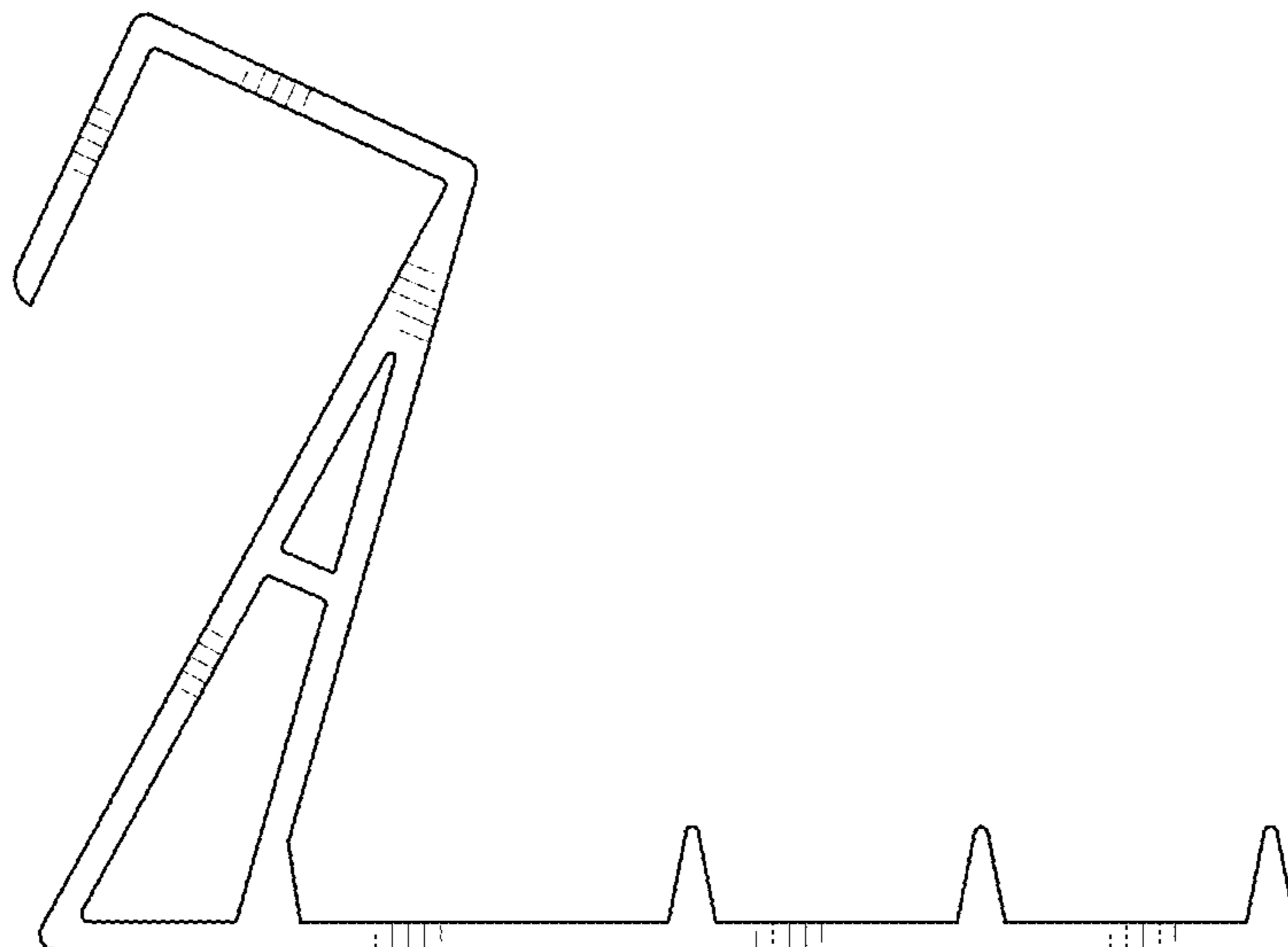


FIG. 11

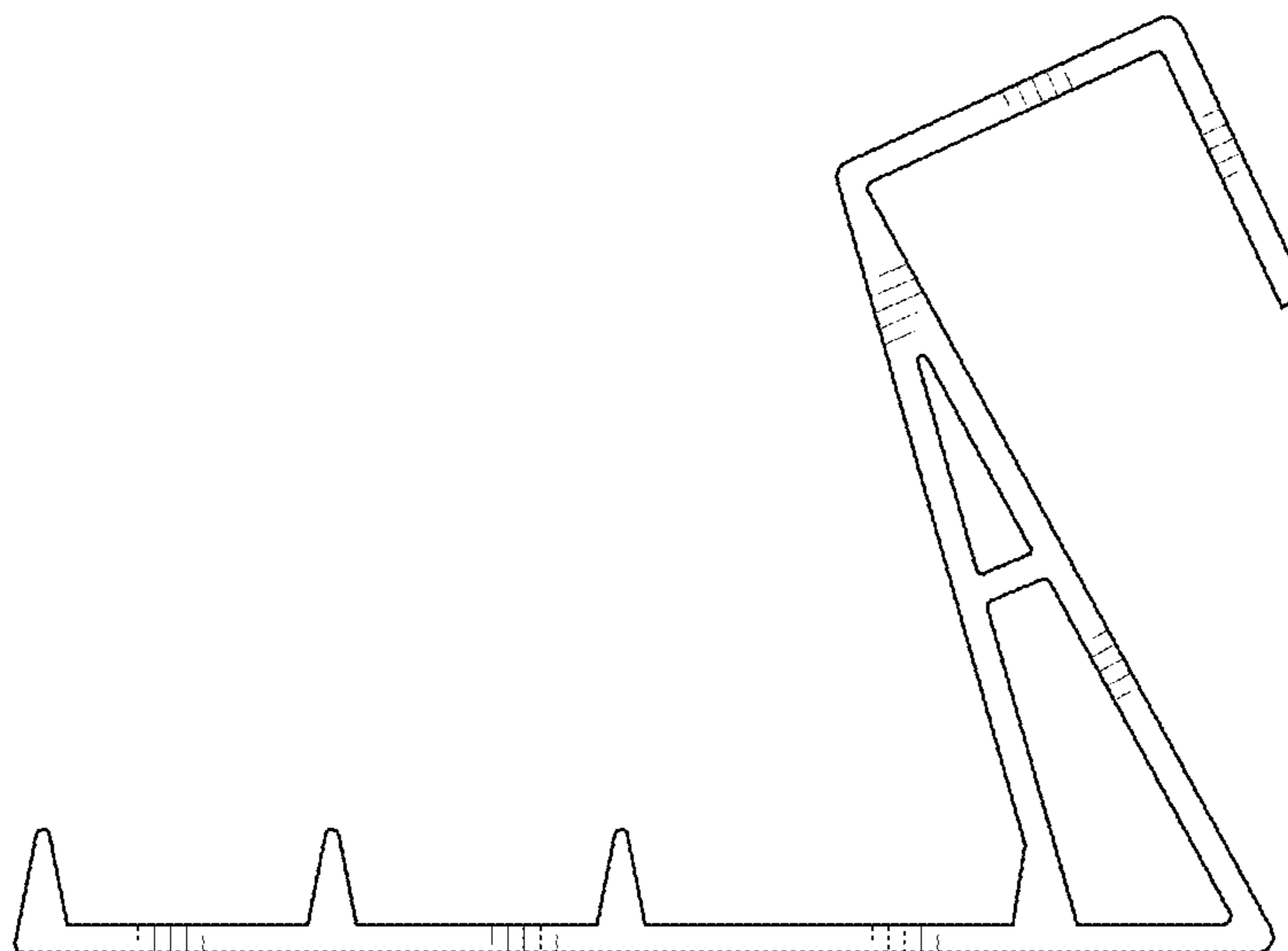


FIG. 12

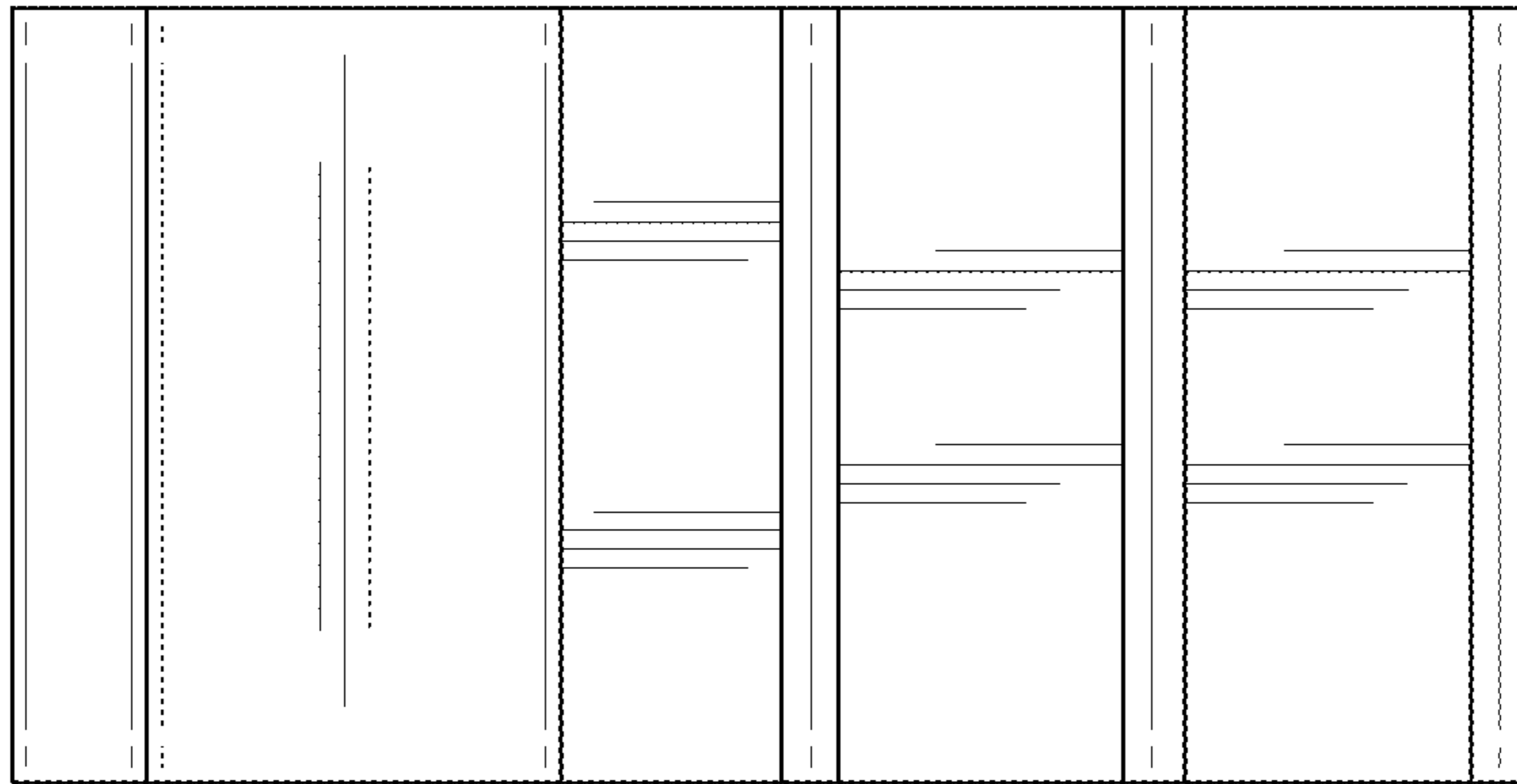


FIG. 13

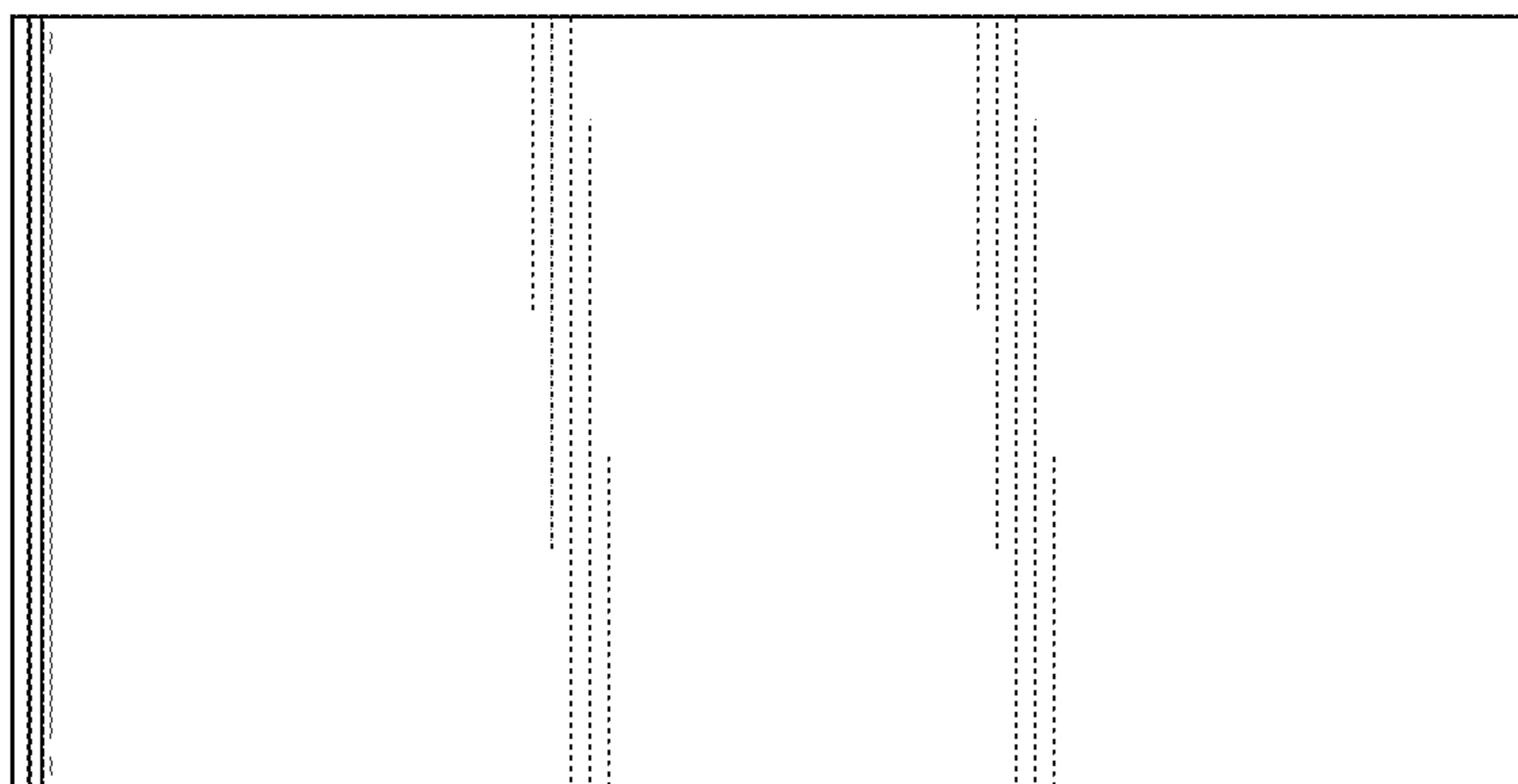


FIG. 14