



US00D918921S

(12) **United States Design Patent**
Hynecek et al.

(10) **Patent No.:** **US D918,921 S**
(45) **Date of Patent:** **** May 11, 2021**

(54) **HOLDER FOR A MOBILE ELECTRONIC DEVICE**

FOREIGN PATENT DOCUMENTS

(71) Applicant: **Samsonite IP Holdings S.à.r.l.**,
Luxembourg (LU)

CA 2831048 C 10/2015

(72) Inventors: **Bryan Lee Hynecek**, Redwood City,
CA (US); **Mia Hutchinson**, San Mateo,
CA (US); **Joyce Kung**, San Francisco,
CA (US); **Colin Reed**, San Francisco,
CA (US); **Minna Chong**, Oakland, CA
(US); **Darrick Del Moral**, San Bruno,
CA (US)

OTHER PUBLICATIONS

“iGUY 9.7-Inch iPad Cases”, web, as published as of Aug. 2019,
<<https://www.speckproducts.com/apple/ipad-cases/ipad-pro-9-7-cases/iguy-ipad-pro-9-7-cases/776412479.html>>, pp. 1-3.

(Continued)

(73) Assignee: **Samsonite IP Holdings S.à.r.l.**,
Luxembourg (LU)

Primary Examiner — Cynthia R Underwood
(74) *Attorney, Agent, or Firm* — Lerner, David,
Littenberg, Krumholz & Mentlik, LLP

(**) Term: **15 Years**

(57) **CLAIM**

The ornamental design for a holder for a mobile electronic device, as shown and described.

(21) Appl. No.: **29/660,567**

DESCRIPTION

(22) Filed: **Aug. 21, 2018**

(51) **LOC (13) Cl.** **14-02**

(52) **U.S. Cl.**
USPC **D14/440**

(58) **Field of Classification Search**
USPC D14/440, 447, 250; 206/45.23, 320,
206/45.2; 361/679.55; 294/25; 224/218
CPC G06F 1/1628; G06F 1/1626; G06F 1/669;
A47B 23/044; H04B 1/3888; H04M 1/04
See application file for complete search history.

FIG. 1 is a upper side view of the holder for a mobile electronic device in accordance with a first embodiment of the invention.

FIG. 2 is a front view of the holder for a mobile electronic device in accordance with the first embodiment of the invention.

FIG. 3 is a left side view of the holder for a mobile electronic device in accordance with the first embodiment of the invention.

FIG. 4 is a right side view of the holder for a mobile electronic device in accordance with the first embodiment of the invention.

FIG. 5 is a lower side view of the holder for a mobile electronic device in accordance with the first embodiment of the invention.

FIG. 6 is a rear view of the holder for a mobile electronic device in accordance with the first embodiment of the invention; and,

FIG. 7 is an exploded front upper-side perspective view of the holder for a mobile electronic device in accordance with the first embodiment of the invention.

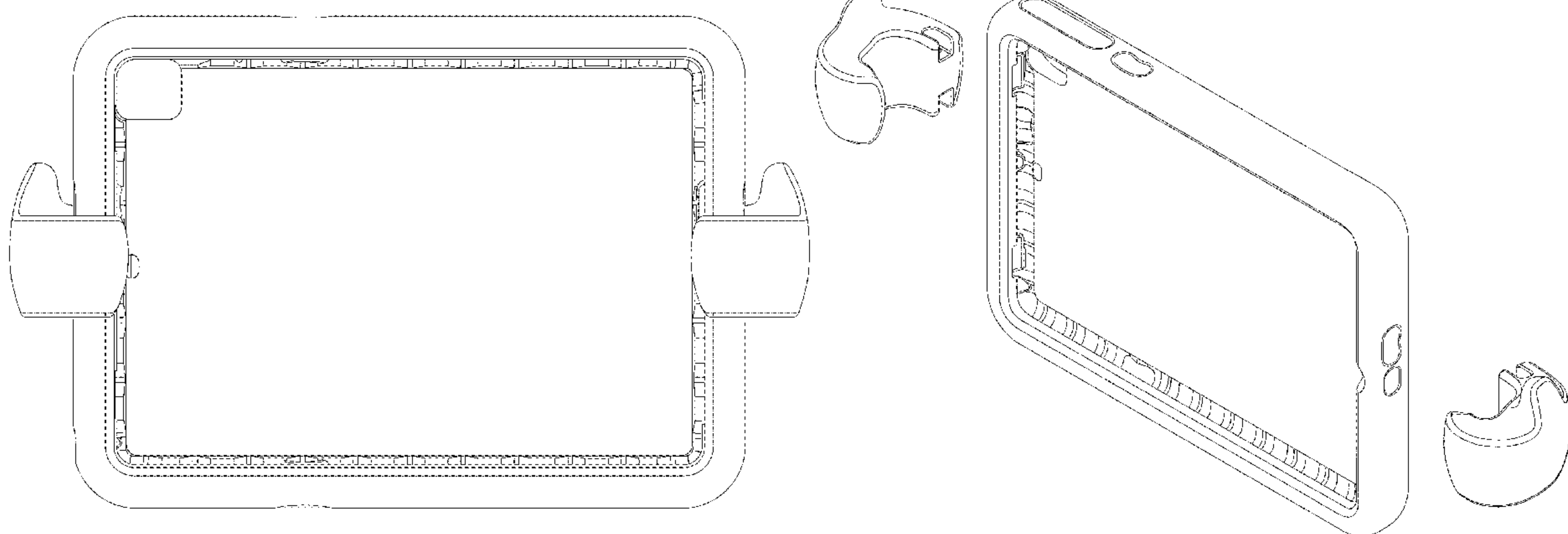
(56) **References Cited**

U.S. PATENT DOCUMENTS

4,479,318 A * 10/1984 Russell A47G 1/0633
206/454
5,433,023 A * 7/1995 Edwards B42F 5/06
40/778
D361,601 S * 8/1995 Goldman D20/42

(Continued)

1 Claim, 6 Drawing Sheets



(56)

References Cited

U.S. PATENT DOCUMENTS

6,401,376 B2 * 6/2002 Cumberland B42F 5/00
40/768
D595,360 S * 6/2009 Ogawa D20/10
D676,851 S * 2/2013 Finnegan D14/440
D703,750 S * 4/2014 Tsai D19/99
D707,233 S * 6/2014 Sirichai D14/447
D711,970 S * 8/2014 Bennett D21/392
D723,037 S * 2/2015 Huang D14/440
D731,492 S * 6/2015 Snyder D14/440
D743,408 S * 11/2015 Chen D14/447
9,241,053 B2 * 1/2016 Ashley H04M 1/04
D748,634 S * 2/2016 Hofer D14/440
D757,017 S * 5/2016 Sirichai D14/440
9,548,785 B2 1/2017 Rayner
D778,272 S * 2/2017 Kim D14/250
D787,494 S * 5/2017 Kim D14/250
D787,496 S * 5/2017 Kim D14/250
D788,091 S * 5/2017 Kim D14/250
D792,886 S * 7/2017 Schwibner D14/440
D809,498 S * 2/2018 Ahn D14/250
D810,732 S * 2/2018 Fenton D14/341
D839,866 S * 2/2019 Entwistle D14/251
D852,799 S * 7/2019 Fenton D14/440
D875,100 S * 2/2020 Chang D14/440

10,601,971 B2 * 3/2020 Hatch G08B 25/016
10,728,372 B2 7/2020 Hyneczek et al.
10,793,084 B2 * 10/2020 Jiang B60R 11/0252
2012/0314354 A1 12/2012 Rayner
2013/0271897 A1 * 10/2013 Limber H04M 1/04
361/679.01
2015/0195392 A1 * 7/2015 Nissenbaum A45F 5/00
455/569.1

OTHER PUBLICATIONS

“iGUY 9.7-Inch iPad Pro Cases”, web, as published as of Jun. 2017, <<https://web.archive.org/web/20170629165752/http://www.speckproducts.com/apple/ipad-cases/ipad-pro-9-7-cases/iguy-ipad-pro-9-7-cases/IPP9-IG.html>>, pp. 1-3.
“iPad Pro Cases—iPad Pro Covers—Speck”, web, as published as of Jun. 2017, <<https://web.archive.org/web/20170606121641/http://www.speckproducts.com/apple/ipad-cases/ipad-pro-cases.html>>, pp. 1-15.
Hyneczek, B.L. et al, “Holder for Mobil Electronic Device,” U.S. Appl. No. 29/675,720, filed Jan. 4, 2019.
Examples of ArmorBox Kido Cases, downloaded from the internet Sep. 4, 2020, https://web.archive.org/web/20161212200631if_/http://i-blason.com/tablet-cases.html; 4 pages.

* cited by examiner

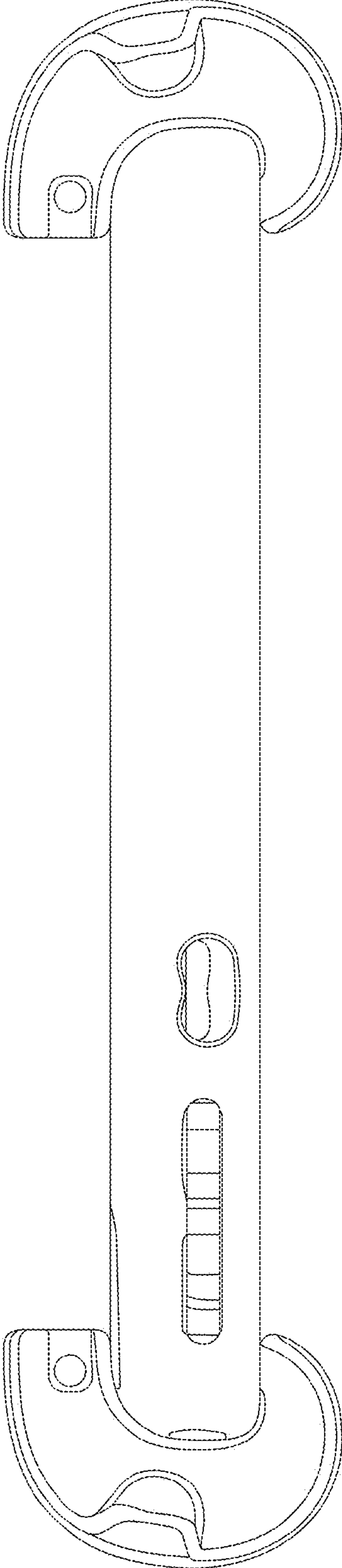


Fig. 1

Fig. 2

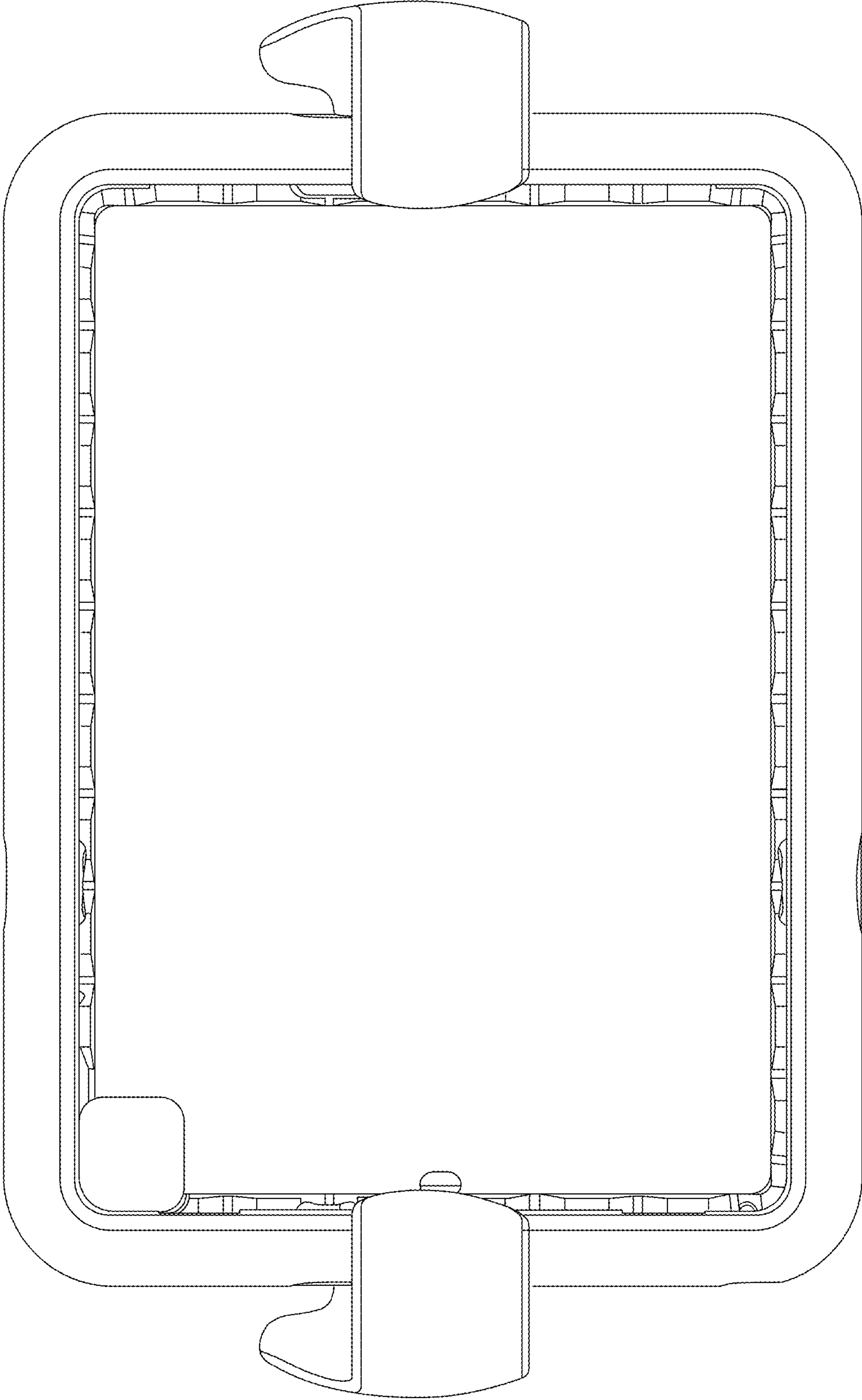


Fig. 4

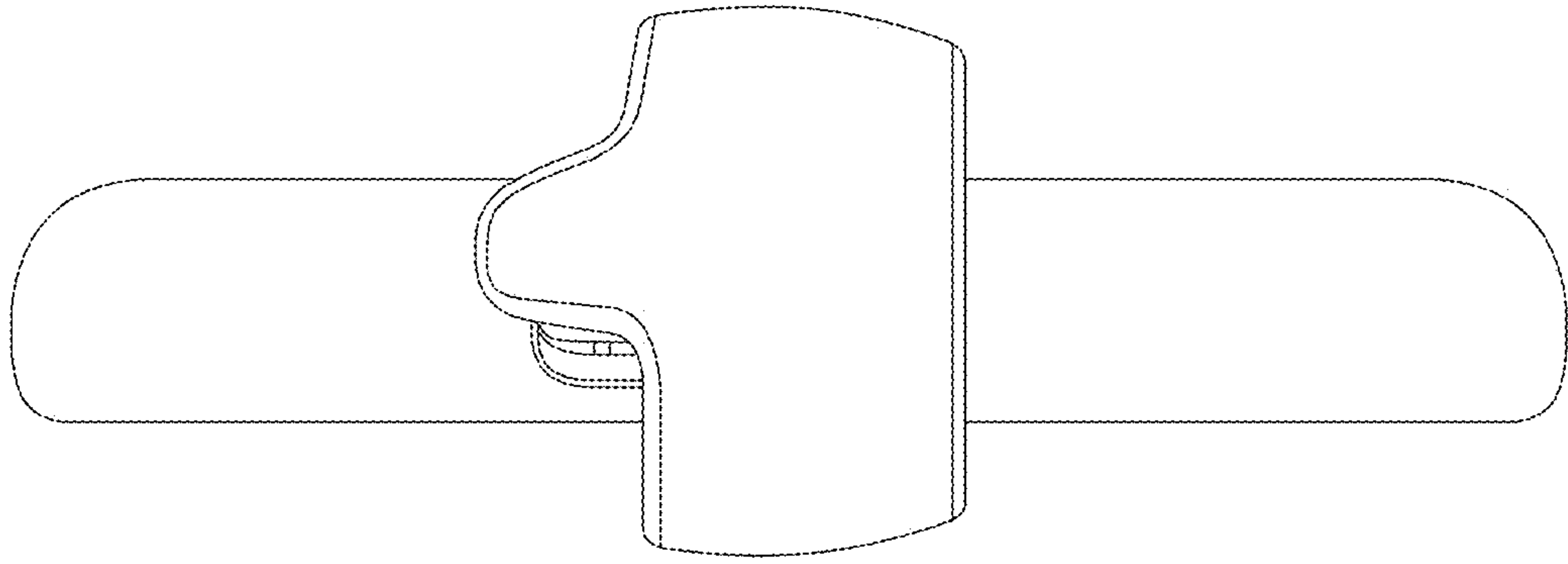
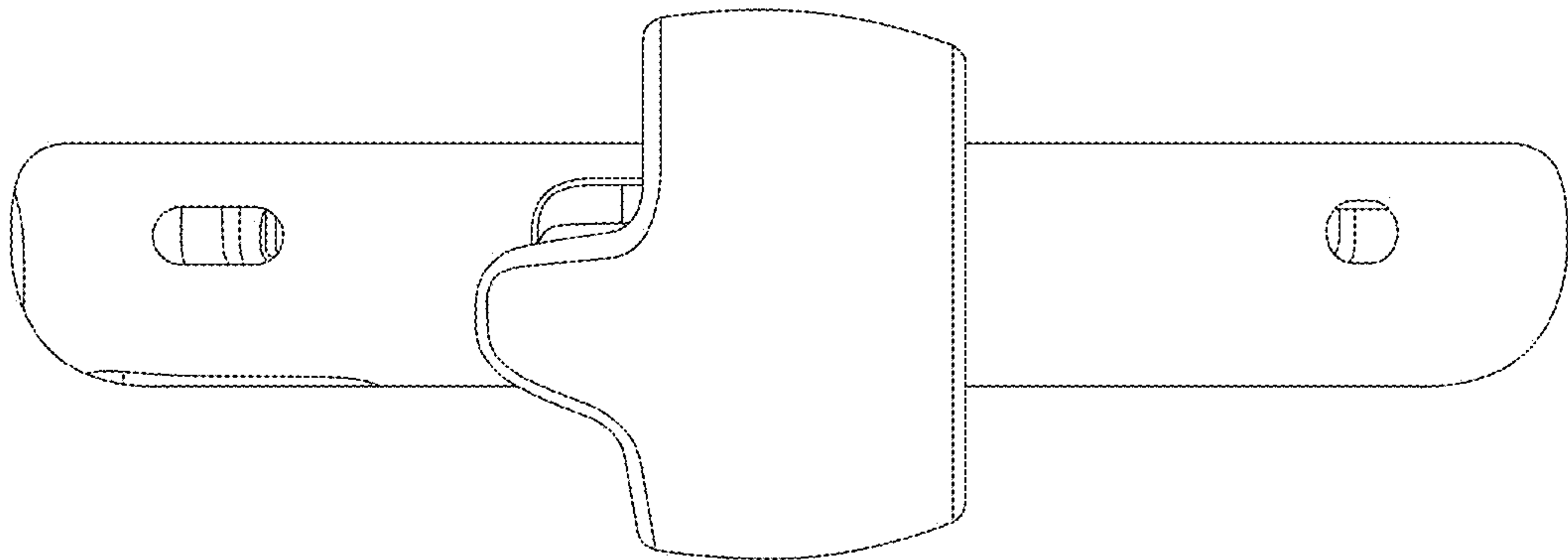


Fig. 3



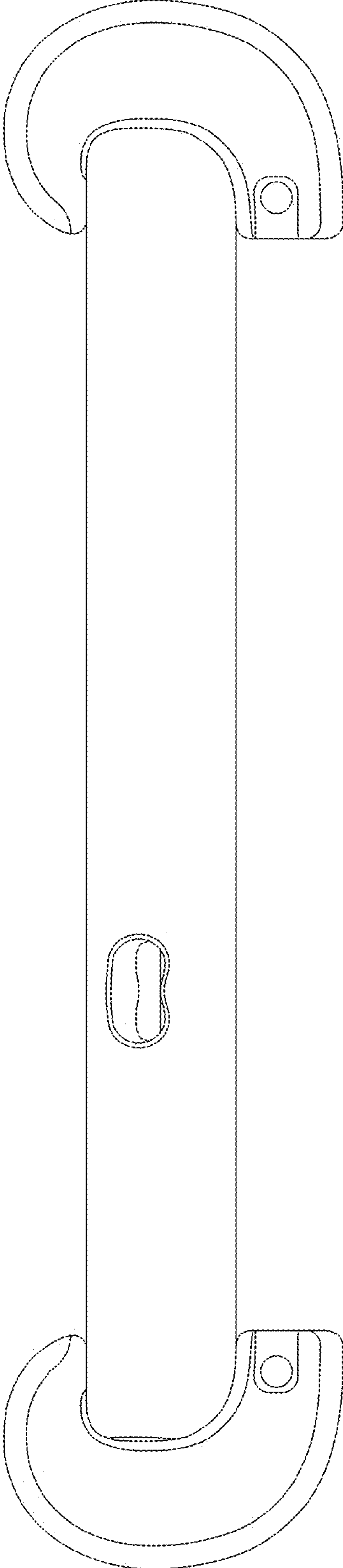


Fig. 5

Fig. 6

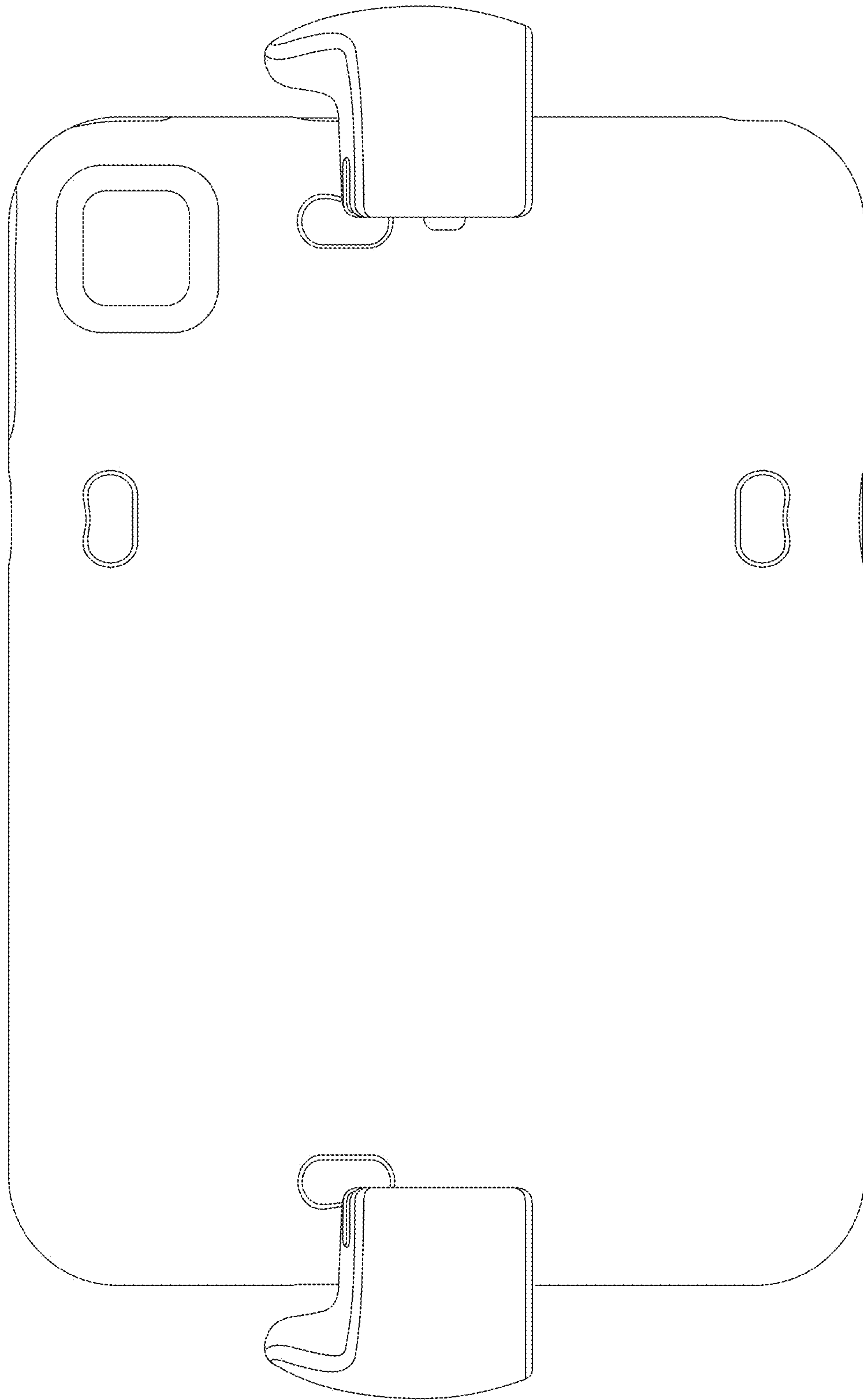


Fig. 7

