



US00D918917S

(12) **United States Design Patent** (10) **Patent No.:** **US D918,917 S**  
**Wu** (45) **Date of Patent:** **\*\* May 11, 2021**

(54) **ADAPTER**  
(71) Applicant: **Shihong Wu**, Liuzhou (CN)  
(72) Inventor: **Shihong Wu**, Liuzhou (CN)  
(73) Assignee: **DONGGUAN KINGTRON ELECTRONICS TECHNOLOGY CO., LTD**, Dongguan (CN)

D889,470 S \* 7/2020 Zhang ..... D14/433  
D893,488 S \* 8/2020 Liu ..... D14/433  
D896,220 S \* 9/2020 Wu ..... D14/357  
D899,363 S \* 10/2020 Wu ..... D13/110  
D900,107 S \* 10/2020 Wu ..... D14/433  
D900,108 S \* 10/2020 Wu ..... D14/433  
D900,109 S \* 10/2020 Wu ..... D14/433  
D900,824 S \* 11/2020 Wu ..... D14/433  
D908,127 S \* 1/2021 Wu ..... D14/433

\* cited by examiner

(\*\*) Term: **15 Years**

*Primary Examiner* — Austin Murphy

(21) Appl. No.: **29/746,778**

(74) *Attorney, Agent, or Firm* — Justin Lampel

(22) Filed: **Aug. 17, 2020**

(51) **LOC (13) Cl.** ..... **14-02**

(52) **U.S. Cl.**  
USPC ..... **D14/433**

(57) **CLAIM**

(58) **Field of Classification Search**  
USPC ..... D14/240, 242, 356, 358, 363, 365, 367,  
D14/370, 432–437, 439, 498, 125, 366,  
D14/168, 496; D13/147, 164, 123, 133,  
D13/146, 110, 199, 103, 162, 159, 160,  
D13/184; 361/683, 684, 686, 724, 735,  
361/737, 752; D18/40

The ornamental design for an adapter, as shown and described.

CPC .... H01R 25/006; H01R 27/02; H01R 31/005;  
G06F 13/4022; G06F 13/382; G06F  
1/1632; G06F 1/1684; G06F 1/20; G06F  
1/1607

**DESCRIPTION**

See application file for complete search history.

FIG. 1 is a perspective view of an adapter showing the claimed design;  
FIG. 2 is a top plan view thereof;  
FIG. 3 is a rear elevational view thereof;  
FIG. 4 is a bottom plan view thereof;  
FIG. 5 is a right side view thereof;  
FIG. 6 is a front elevational view thereof; and,  
FIG. 7 is a left side view thereof.

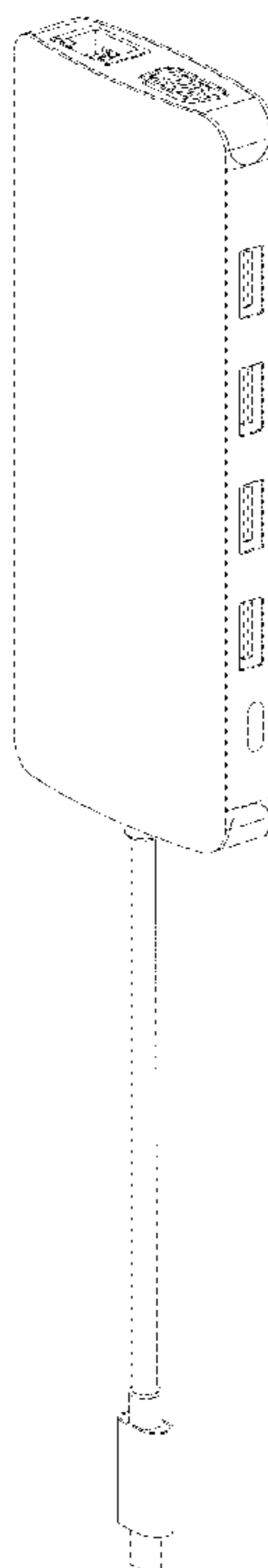
The broken lines illustrate portions of the an adapter that form no part of the claimed design.

(56) **References Cited**

U.S. PATENT DOCUMENTS

D886,825 S \* 6/2020 Zhang ..... D14/433  
D889,469 S \* 7/2020 Zhang ..... D14/433

**1 Claim, 7 Drawing Sheets**



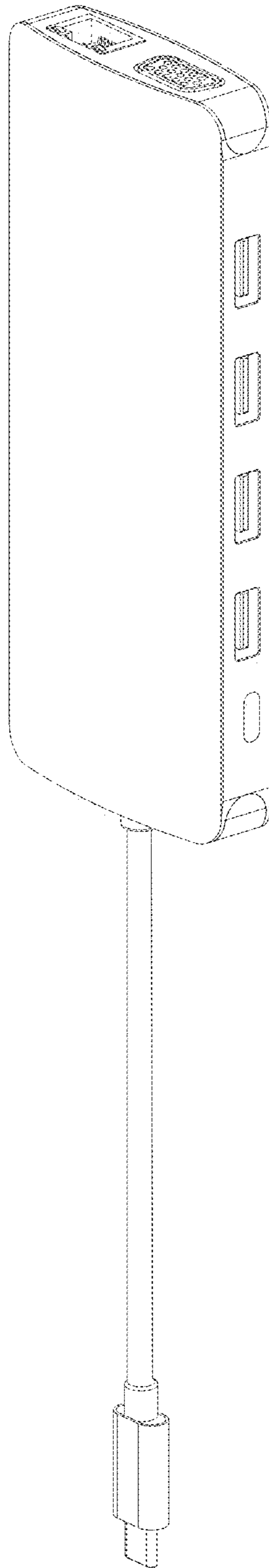


FIG.1

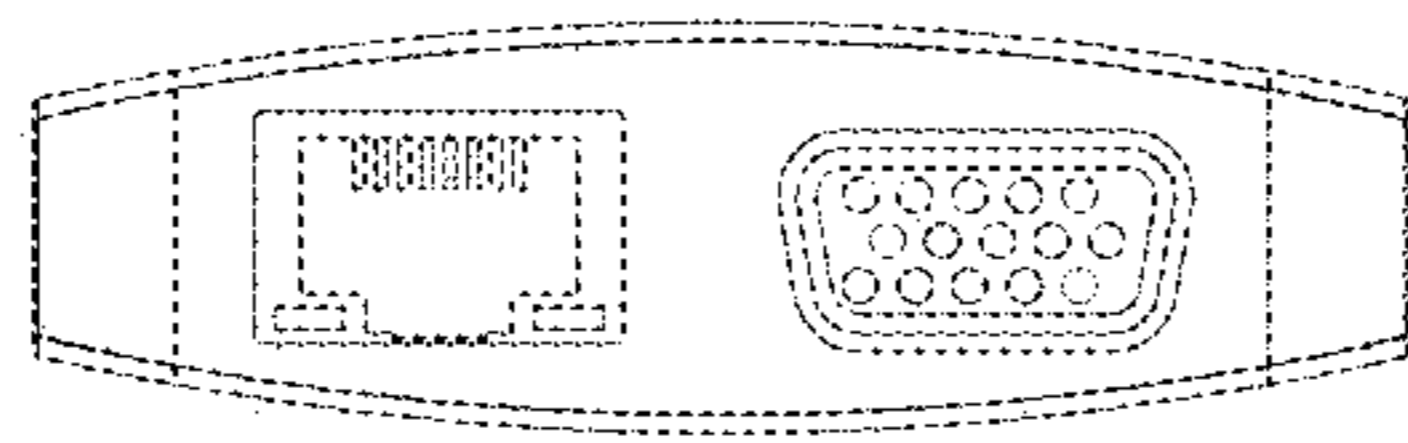


FIG. 2

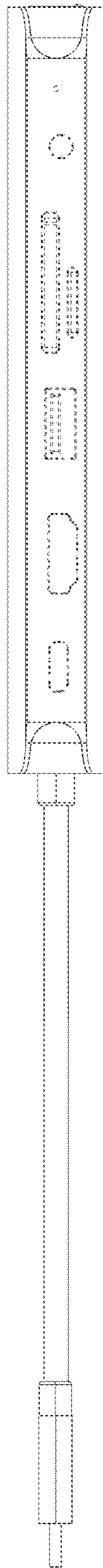


FIG. 3

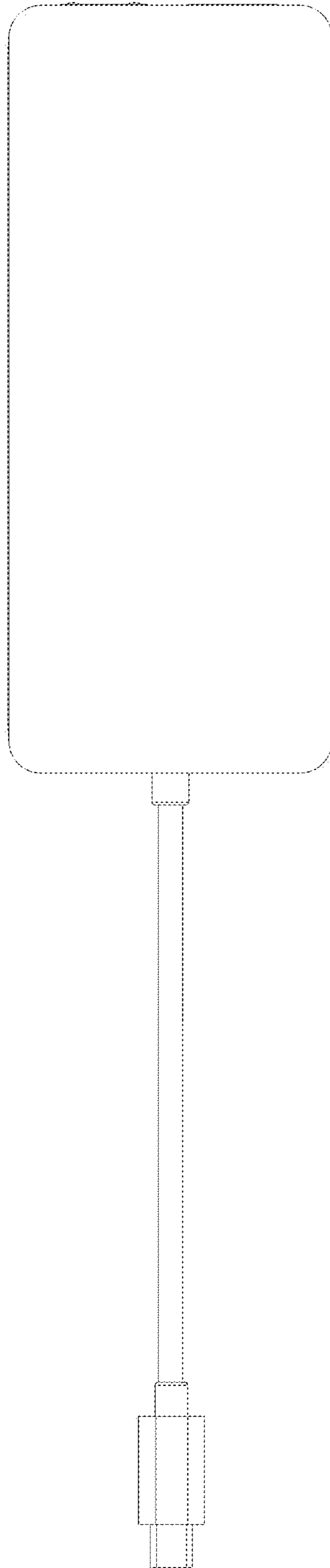


FIG. 4

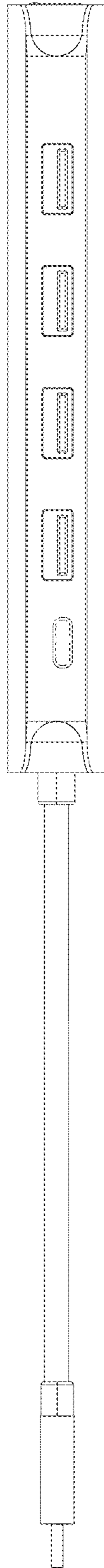


FIG. 5

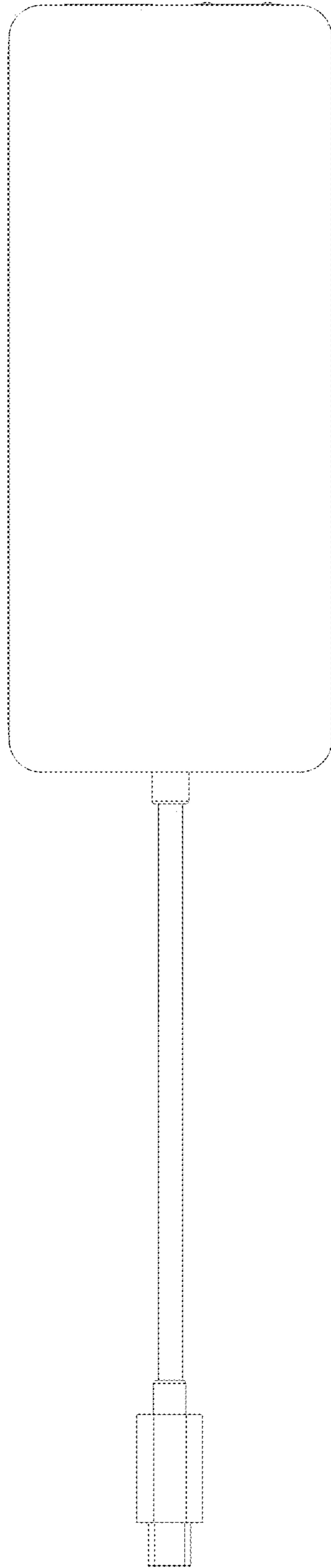


FIG. 6

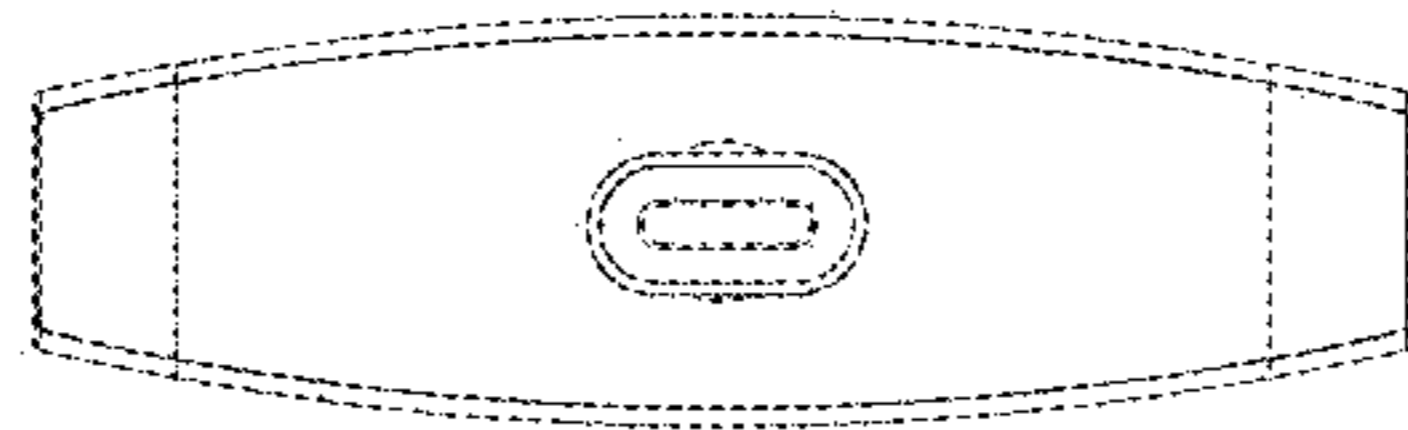


FIG. 7