



US00D918916S

(12) **United States Design Patent** (10) **Patent No.:** **US D918,916 S**
He et al. (45) **Date of Patent:** **** May 11, 2021**

(54) **DATA CABLE**
(71) Applicants: **Dongguan City Jiangnan Electronics Co., Ltd**, Guangdong (CN); **Wimazon (Shenzhen) Technology Co., Ltd.**, Guangdong (CN)
(72) Inventors: **Tiejun He**, Guangdong (CN); **WeiXi Chen**, Guangdong (CN)
(**) Term: **15 Years**

D793,344 S * 8/2017 Wang D13/153
D793,962 S * 8/2017 Vandiver D13/153
D795,816 S * 8/2017 He D13/153
D800,731 S * 10/2017 He D14/433
D810,748 S * 2/2018 Zhang D14/433
D810,749 S * 2/2018 Zhang D14/433
D813,819 S * 3/2018 Esses D13/147
D820,217 S * 6/2018 Li D13/147
D824,332 S * 7/2018 Ackerman D13/117
D832,793 S * 11/2018 Vandiver D13/153
D851,047 S * 6/2019 Zhang D13/153
D864,120 S * 10/2019 Forrest D13/147
10,505,311 B2 * 12/2019 Al-Ali H01R 13/5205
D875,672 S * 2/2020 Natsume D13/108

(Continued)

(21) Appl. No.: **29/666,733**
(22) Filed: **Oct. 16, 2018**
(51) **LOC (13) Cl.** **14-99**
(52) **U.S. Cl.**
USPC **D14/433; D13/153**
(58) **Field of Classification Search**
USPC D13/110, 118, 120, 123, 133,
D13/137.1-137.4, 139.1-139.8, 146, 147,
D13/153, 154, 184; D14/432, 433, 435.1,
D14/438, 439
CPC H01R 25/00; H01R 25/003; H01R 27/00;
H01R 27/02; H01R 31/005; H01R 24/28;
H01R 24/20
See application file for complete search history.

Primary Examiner — Jeffrey D Asch
Assistant Examiner — Rebekah A Caruso
(74) *Attorney, Agent, or Firm* — Prakash Nama; Global IP Services, PLLC

(57) **CLAIM**

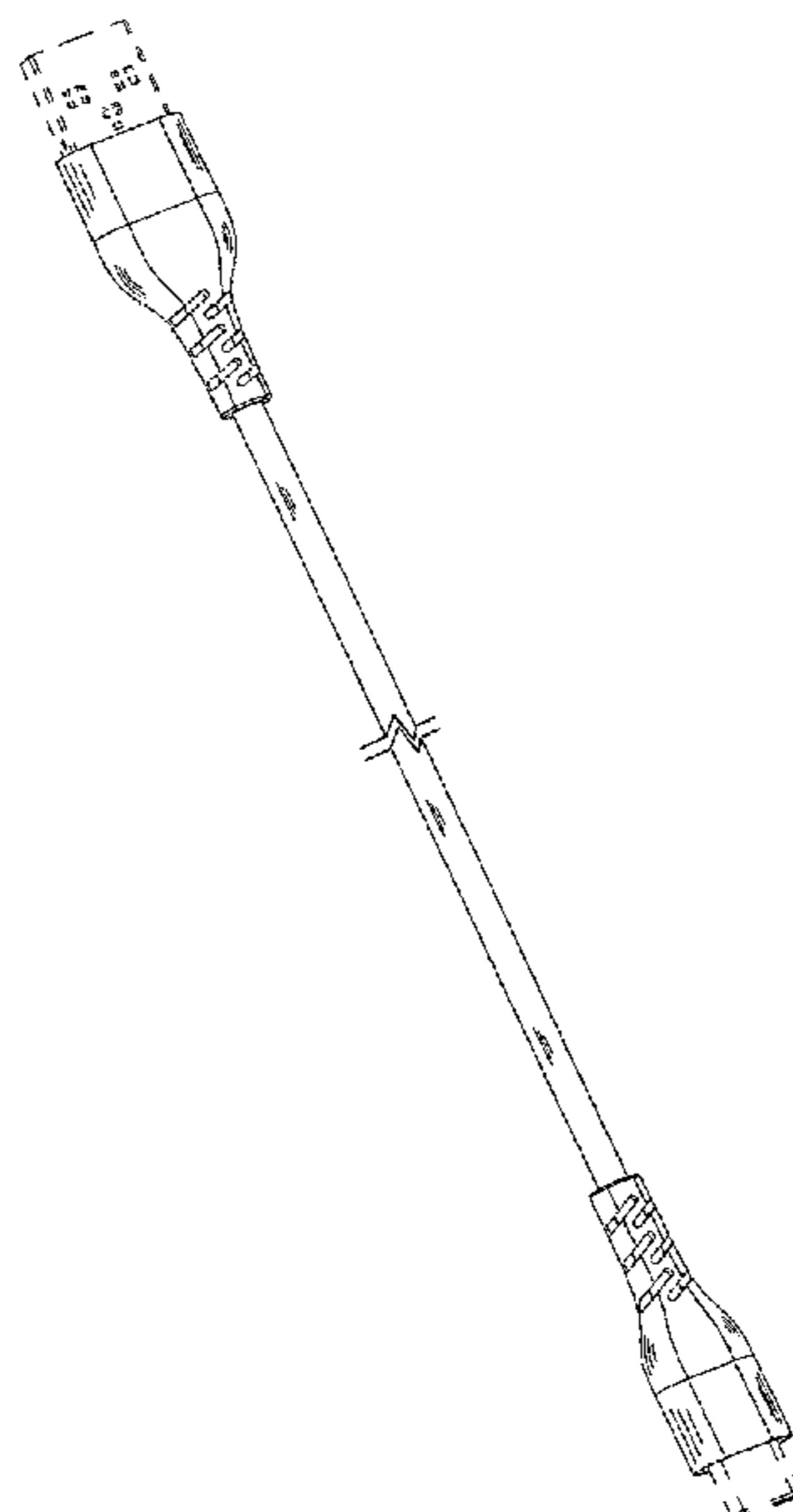
The ornamental design for a data cable, as shown and described.

DESCRIPTION

FIG. 1 is a front elevational view of a data cable showing our new design;
FIG. 2 is a rear elevational view thereof;
FIG. 3 is a left side view thereof;
FIG. 4 is a right side view thereof;
FIG. 5 is a top plan view thereof;
FIG. 6 is a bottom plan view thereof;
FIG. 7 is a perspective view thereof; and,
FIG. 8 is another perspective view thereof.
The broken lines show portions of the data cable that form no part of the claimed design.
The article is shown with a symbolic break in its length. The appearance of any portion of the article between the break lines forms no part of the claimed design.

(56) **References Cited**
U.S. PATENT DOCUMENTS
D514,523 S * 2/2006 Lee D13/156
D553,568 S * 10/2007 Lee D13/133
D602,440 S * 10/2009 Wu D13/147
D604,251 S * 11/2009 Hwang D13/154
D644,611 S * 9/2011 Sasaki D13/147
D675,572 S * 2/2013 Arai D13/147
D676,389 S * 2/2013 Worth D13/147
D693,309 S * 11/2013 Lee D13/147
D716,235 S * 10/2014 Tien D13/147
D744,428 S * 12/2015 Rodriguez D13/147
D768,084 S * 10/2016 Rodriguez D13/147

1 Claim, 5 Drawing Sheets



(56)

References Cited

U.S. PATENT DOCUMENTS

2014/0321808 A1* 10/2014 Irwin G02B 6/3893
385/56

* cited by examiner

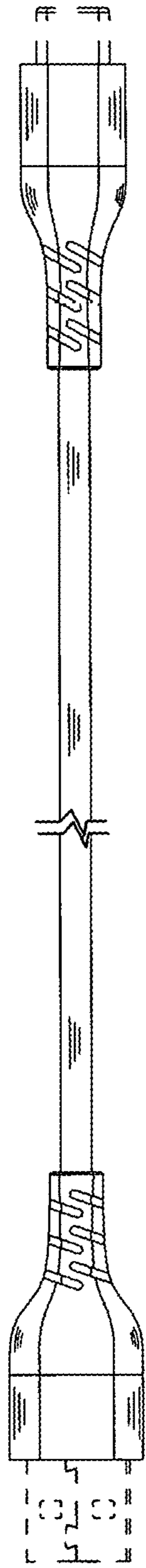


Fig. 1

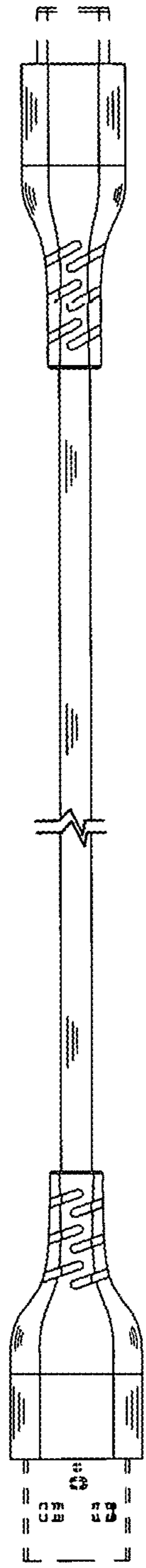


Fig. 2

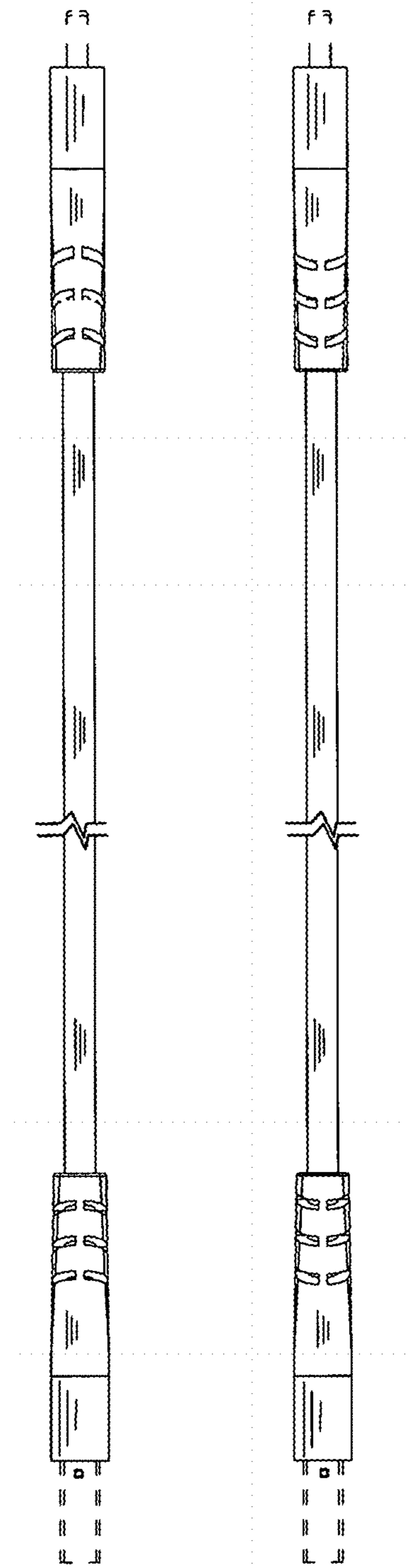


Fig. 3

Fig. 4

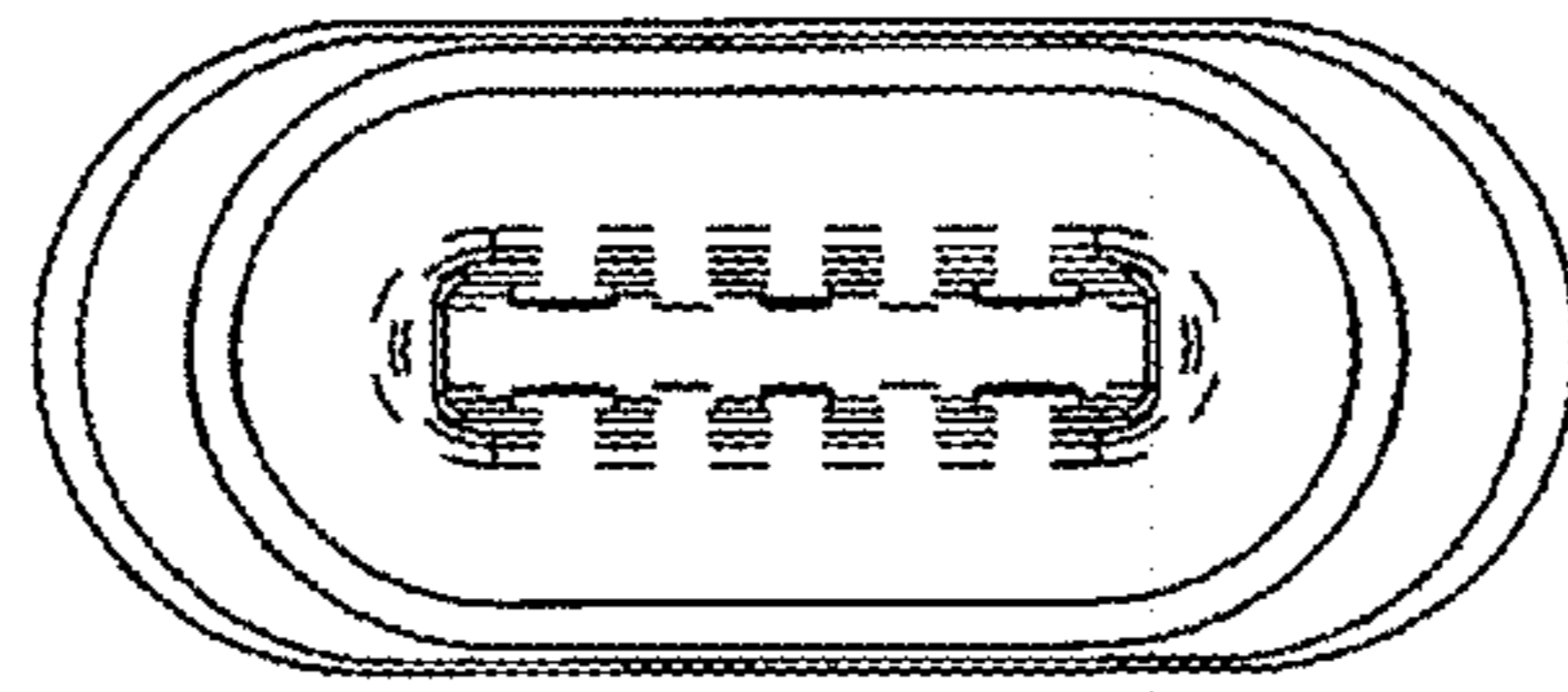


Fig. 5

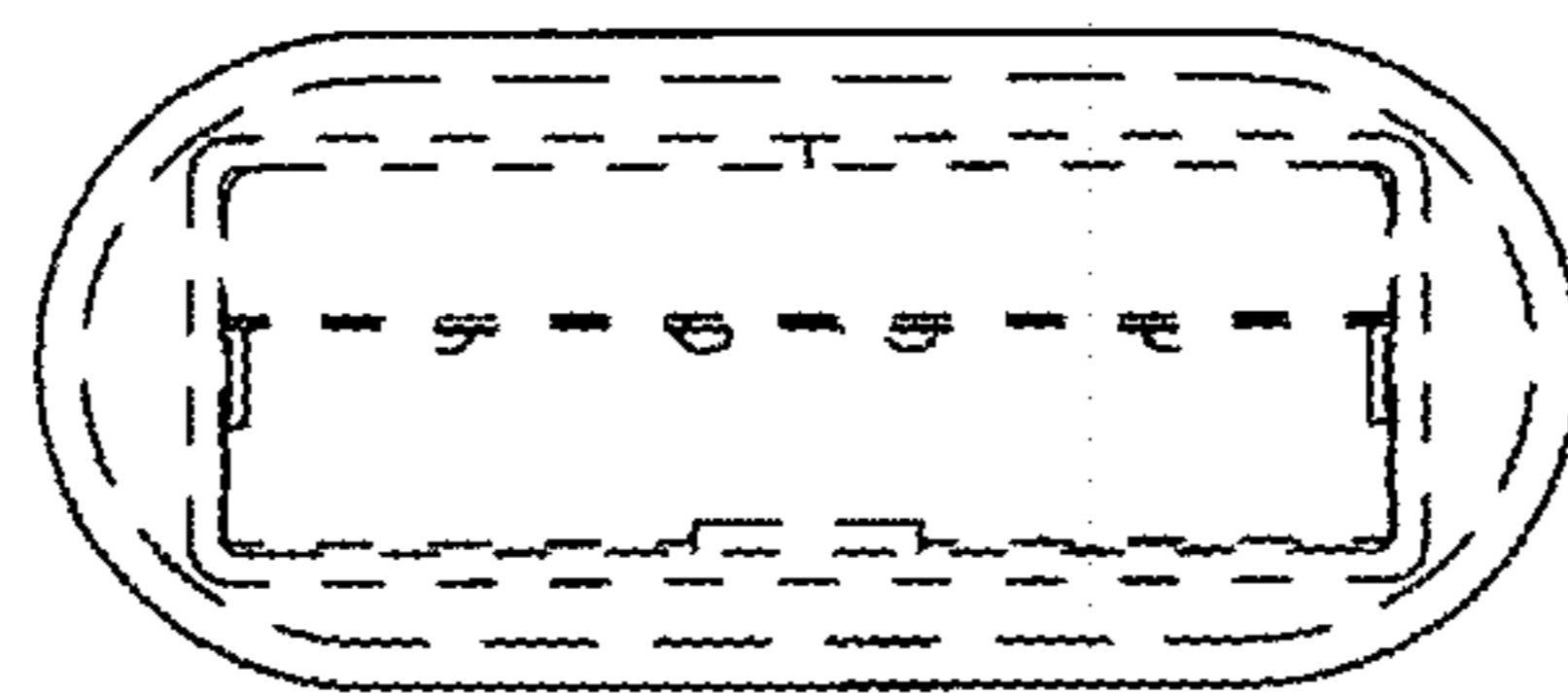


Fig. 6

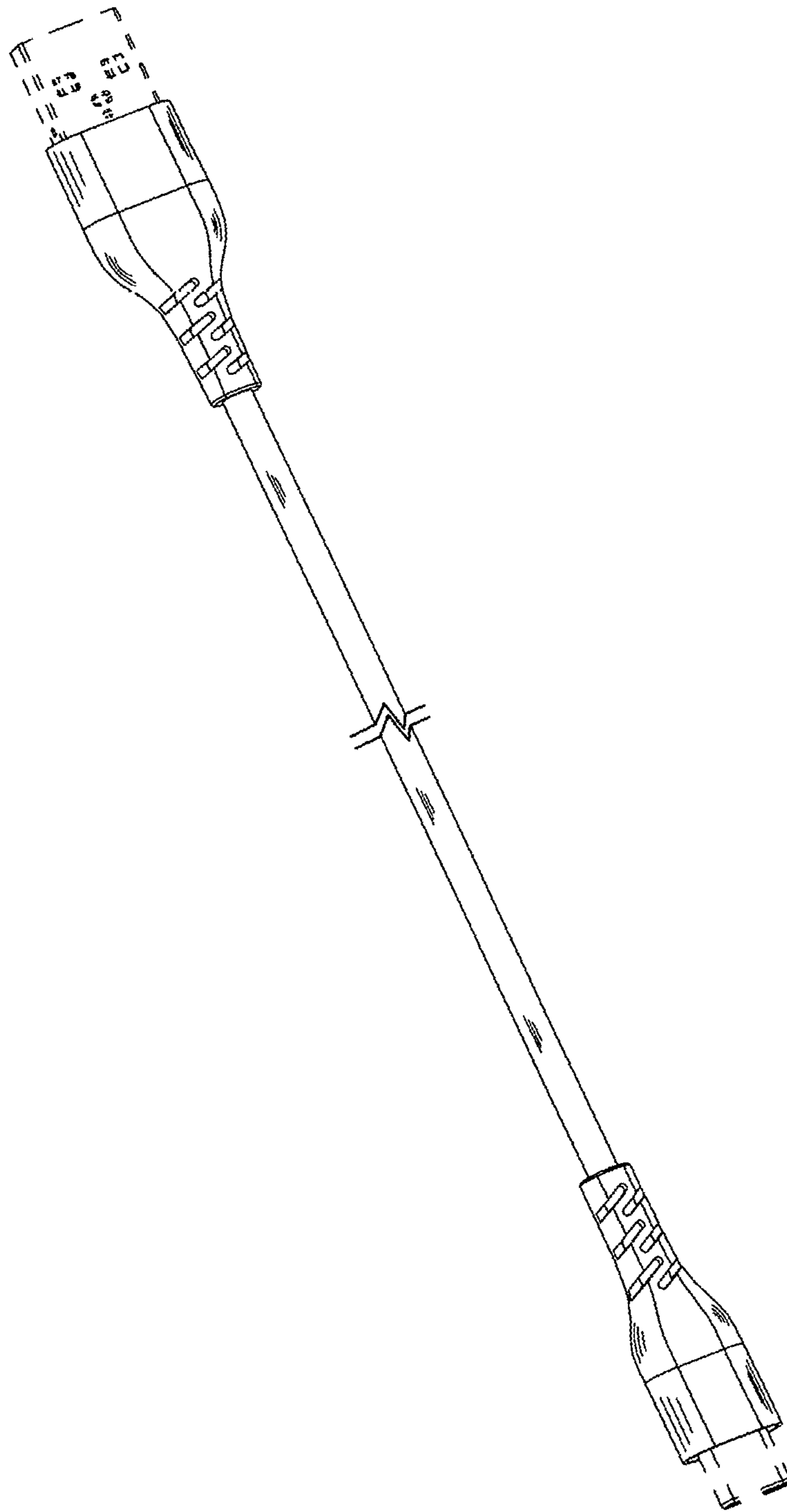


Fig. 7

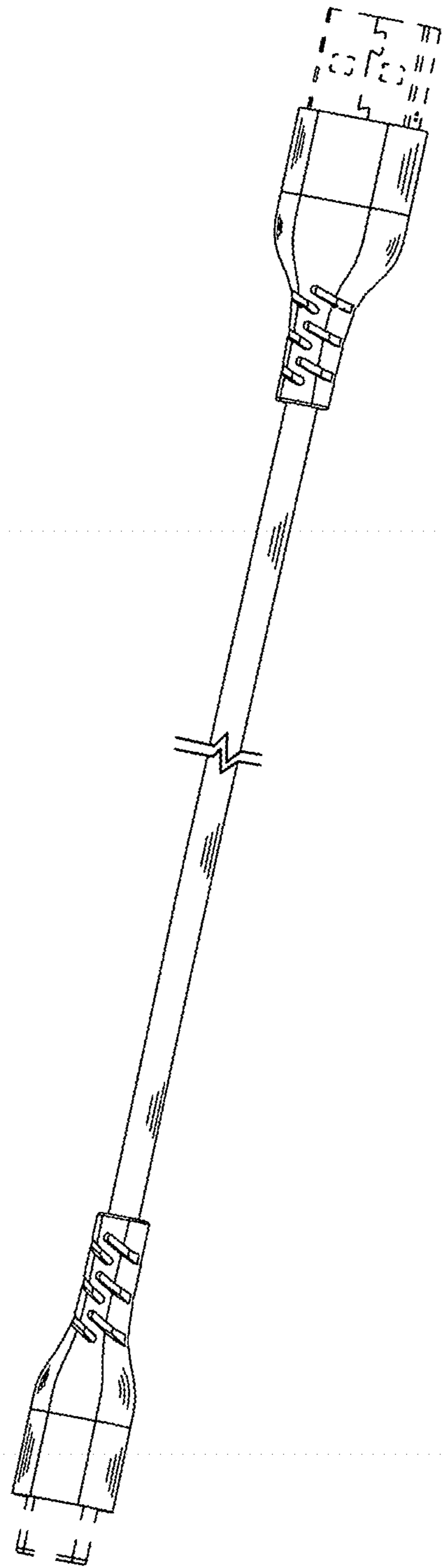


Fig. 8