



US00D918915S

(12) **United States Design Patent** (10) **Patent No.:** **US D918,915 S**
Lin (45) **Date of Patent:** **** May 11, 2021**

(54) **SPLITTER**
(71) Applicant: **ShenZhen FuXin Industrial Co., Ltd,**
Shenzhen (CN)
(72) Inventor: **Shubin Lin,** Neijiang (CN)
(**) Term: **15 Years**
(21) Appl. No.: **29/749,130**
(22) Filed: **Sep. 3, 2020**
(51) **LOC (13) Cl.** **14-02**
(52) **U.S. Cl.**
USPC **D14/432**
(58) **Field of Classification Search**
USPC D8/61; D14/432, 385; D19/54-58;
401/55, 99, 100, 104-107, 196, 197, 202,
401/208, 209, 213, 192, 195, 243;
708/107; 345/179, 173; 178/19.01;
700/94
CPC G06Q 20/347; G06Q 20/322; G06Q 40/02;
G06Q 30/06; G07F 7/0886
See application file for complete search history.

(56) **References Cited**

U.S. PATENT DOCUMENTS

D269,697 S * 7/1983 Graham D13/184
D622,721 S * 8/2010 Wood D14/341
D670,291 S 11/2012 Dalton
D711,755 S * 8/2014 Dasbach D10/98
D779,351 S * 2/2017 Kawakami D10/98

D821,397 S * 6/2018 Crnkovich D14/385
D822,835 S * 7/2018 Paschke D24/167
D824,337 S * 7/2018 Wilcox D13/147
D842,149 S * 3/2019 Haag D10/98
D847,816 S * 5/2019 Dentamaro D14/432
D850,962 S * 6/2019 Mendez D10/98
D862,474 S 10/2019 Liu
D877,636 S * 3/2020 Haag D10/98
D878,372 S * 3/2020 Bagley D14/433
D881,132 S * 4/2020 Bagley D13/146
D886,826 S 6/2020 Zhan

* cited by examiner

Primary Examiner — Austin Murphy

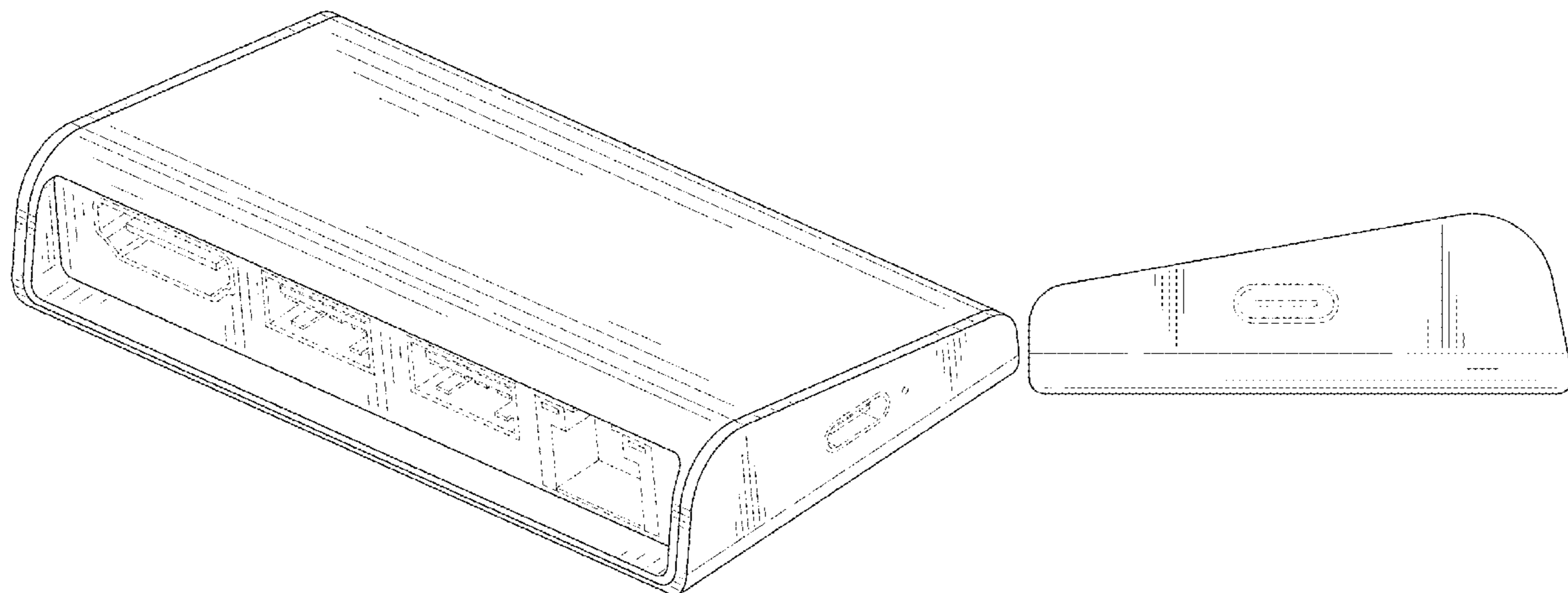
(57) **CLAIM**

The ornamental design for a splitter, as shown and described.

DESCRIPTION

FIG. 1 is a first perspective view of a splitter showing my new design;
FIG. 2 is a second perspective view thereof;
FIG. 3 is a front view thereof;
FIG. 4 is a back view thereof;
FIG. 5 is a left side view thereof;
FIG. 6 is a right side view thereof;
FIG. 7 is a top view thereof; and,
FIG. 8 is a bottom view thereof.
The broken lines shown in the drawings depict portions of the splitter in which the design is embodied that form no part of the claimed design.

1 Claim, 8 Drawing Sheets



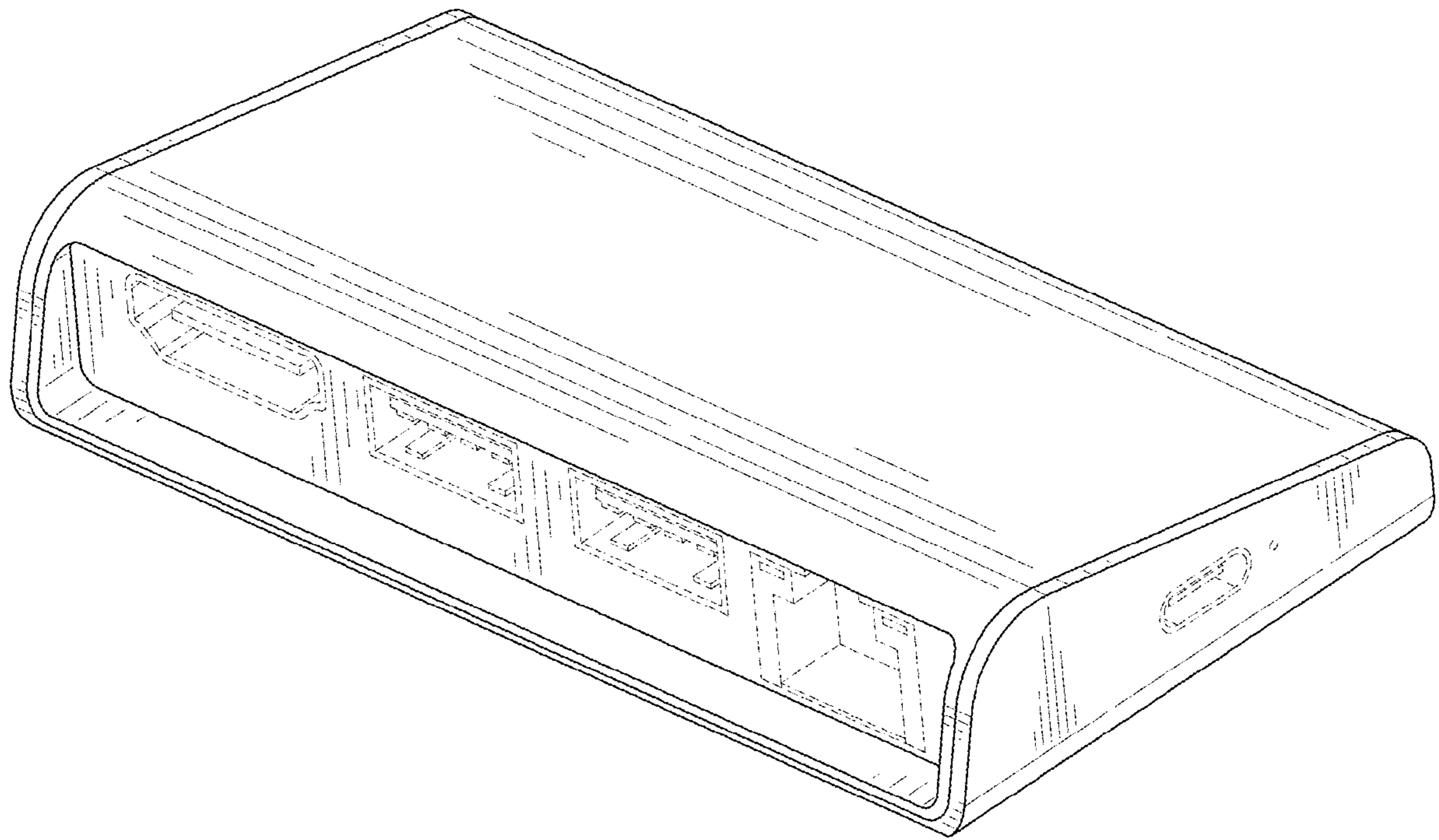


FIG. 1

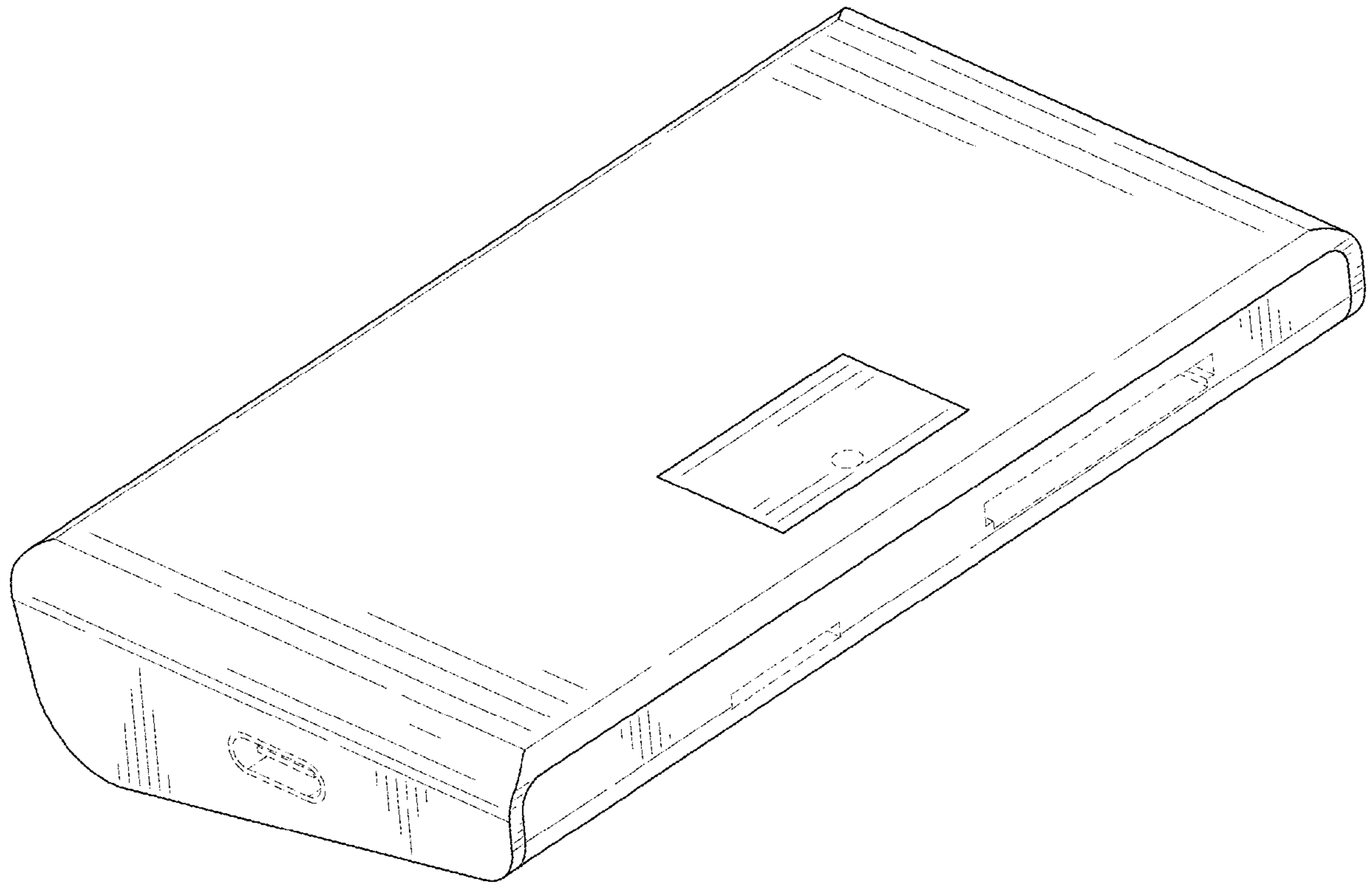


FIG. 2

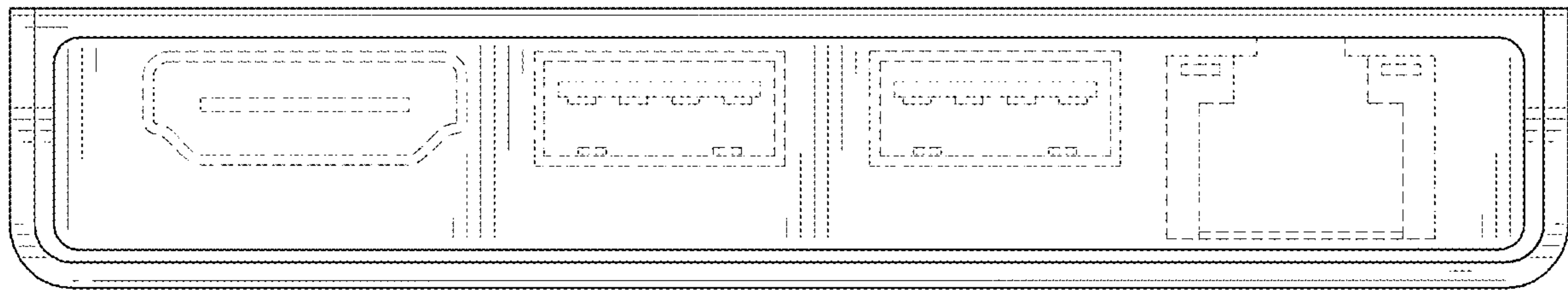


FIG. 3

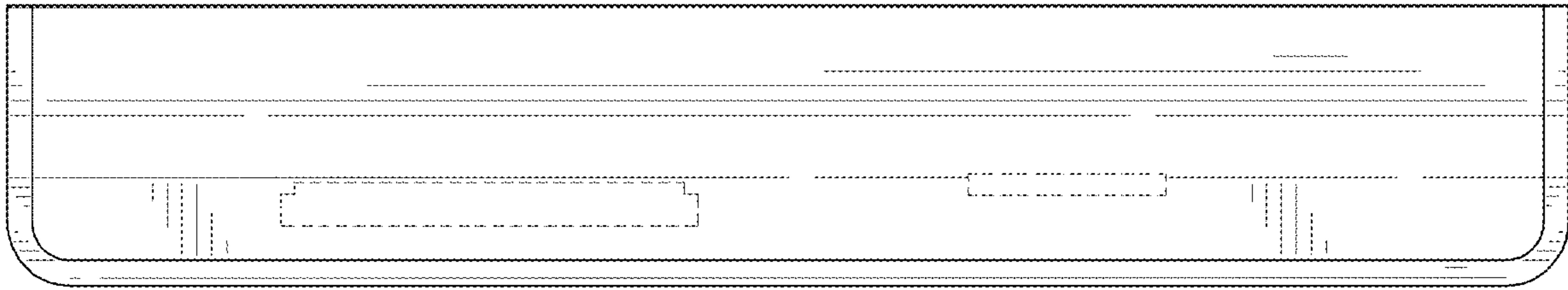


FIG. 4

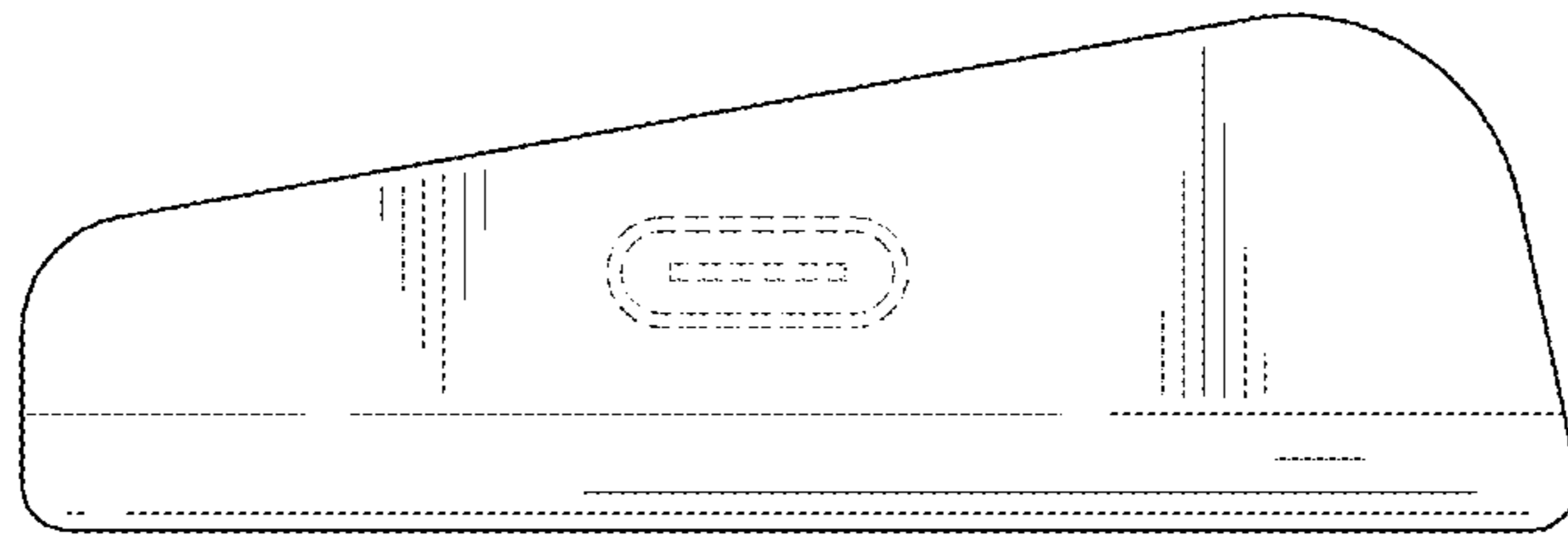


FIG. 5

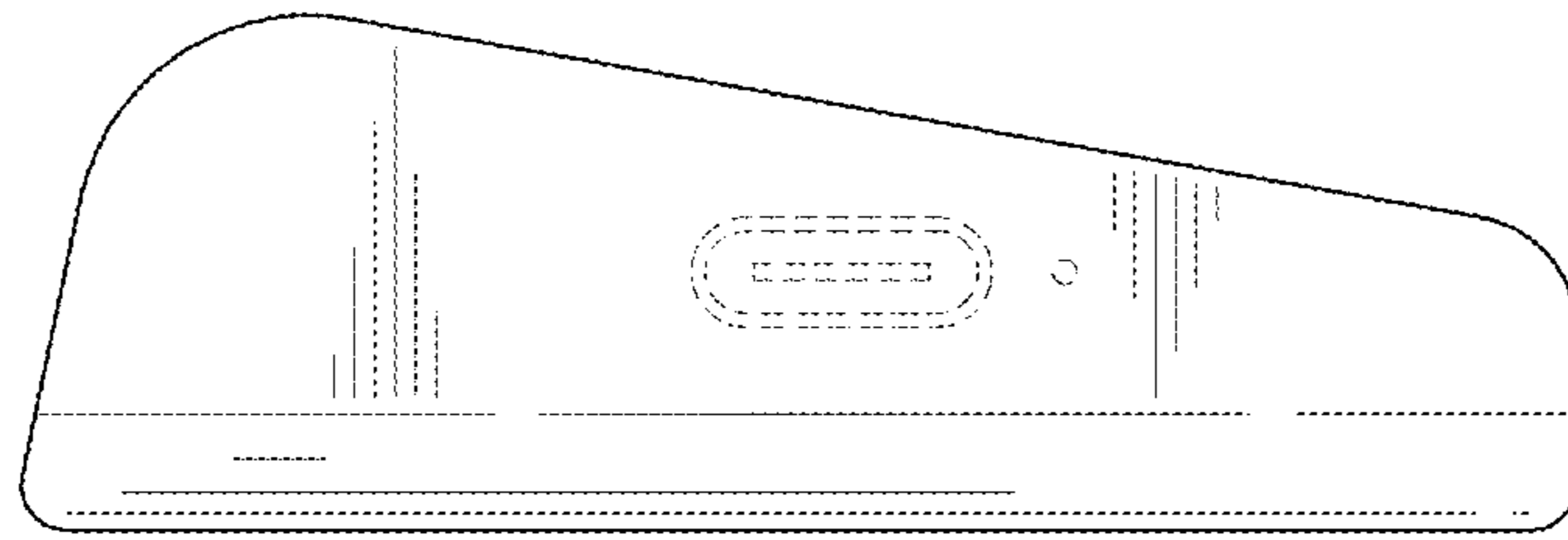


FIG. 6

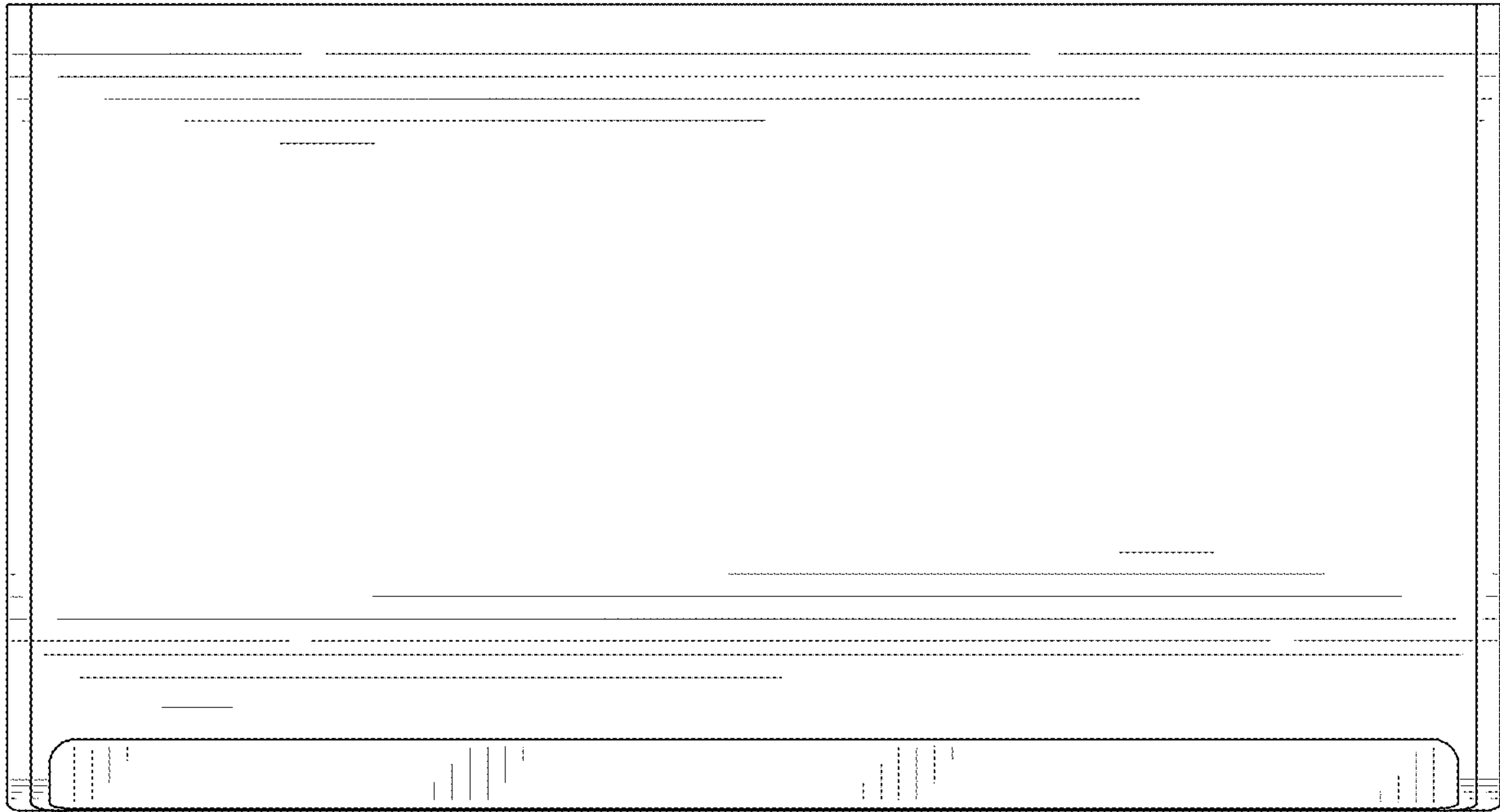


FIG. 7

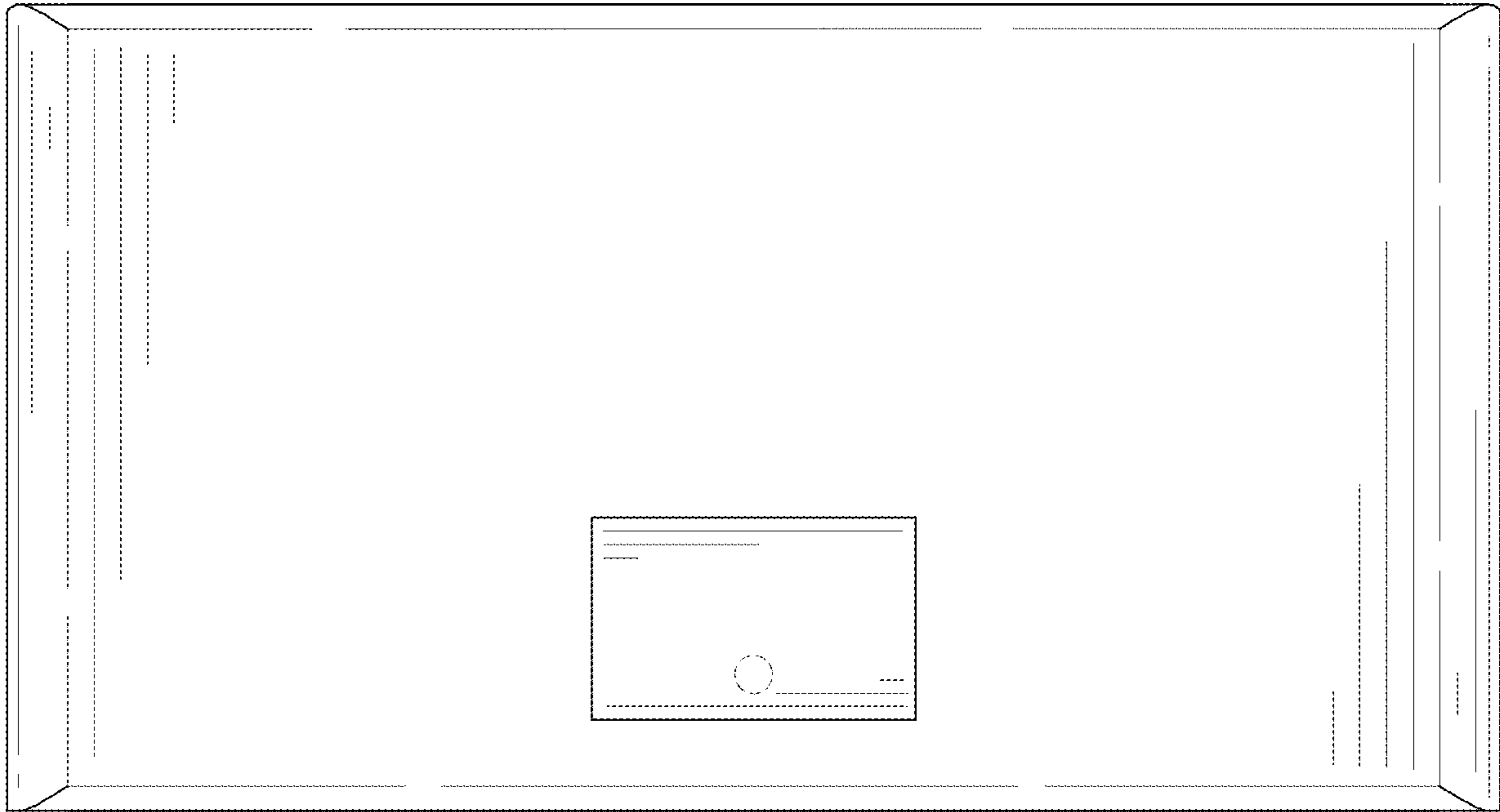


FIG. 8