



US00D918914S

(12) **United States Design Patent**  
**Lim et al.**

(10) **Patent No.:** **US D918,914 S**

(45) **Date of Patent:** **\*\* May 11, 2021**

(54) **DATA CAPTURE DEVICE**

(71) Applicant: **Zebra Technologies Corporation**,  
Lincolnshire, IL (US)

(72) Inventors: **Sunghun Lim**, Bethpage, NY (US);  
**Li-Ko Wang**, New Taipei (TW); **Kevin C. Chen**,  
Miller Place, NY (US); **JaeHo Choi**,  
Whitestone, NY (US)

(73) Assignee: **Zebra Technologies Corporation**,  
Lincolnshire, IL (US)

(\*\*) Term: **15 Years**

(21) Appl. No.: **29/698,755**

(22) Filed: **Jul. 19, 2019**

(51) **LOC (13) Cl.** ..... **14-02**

(52) **U.S. Cl.**  
USPC ..... **D14/427**

(58) **Field of Classification Search**

USPC ..... D14/420, 426–430, 453, 346, 341, 347,  
D14/412, 498, 507, 371, 344, 125–129,  
D14/138 R–138 G, 496, 510; D13/107,  
D13/184; 358/473; 235/462.43, 462.45,  
235/462.47, 462.48, 462.44, 462.46, 487,  
235/472.01, 472.02, 440, 486, 462.01,  
235/462.15, 462.21, 412, 462.11, 462.49,  
235/385, 454, 435, 439–441, 375, 444,  
235/456, 459, 462.14, 462.17, 462.2, 490,  
235/494, 476, 462.22, 462.32, 462.35;  
16/110.1, 430, 431; 439/133, 135;  
709/219, 201; 710/73; 320/114, 115,  
320/123; 361/679, 679.03; 382/313,  
382/321, 318; 455/575.1, 561, 572,  
455/575.6; 705/17, 14.64, 14.65, 21;  
341/20; 362/103, 157, 158, 171–174,  
362/183–208; 250/370.8, 370.1, 215,  
250/216, 566; 348/E5.137, E5.143,  
348/E9.026; 345/179, 156; 463/36;  
14/2; 73/702; 600/300, 485; D3/218;  
224/267, 575; 340/5.92; D24/186, 156;  
D10/65, 57, 81, 78, 98, 70; D26/37–50,  
D26/24; 396/427

CPC ..... G06K 7/04; G06K 7/1404; G06K 7/1447;  
G06K 7/10396; G06K 7/0004; G06K  
7/0017; G06K 7/002; G06K 7/10881;  
G06K 7/10386; G06K 7/10009; G06K  
7/01; G06K 7/10891; G06K  
7/10544–1099; G06K 2007/10524; G06K  
2007/10534; G06F 1/163; G06F 1/1698;  
G06F 1/1684; G06F 2203/0331; G06Q  
20/204; G06Q 20/208; G06Q 20/30;  
G06Q 20/322; G06Q 20/203; G06Q  
20/343; A45F 5/00; A45F 2005/002;  
(Continued)

(56) **References Cited**

U.S. PATENT DOCUMENTS

5,191,197 A \* 3/1993 Metlitsky ..... G06K 7/10564  
235/462.44

D335,661 S \* 5/1993 Shepard ..... D14/427  
(Continued)

*Primary Examiner* — Susan Moon Lee

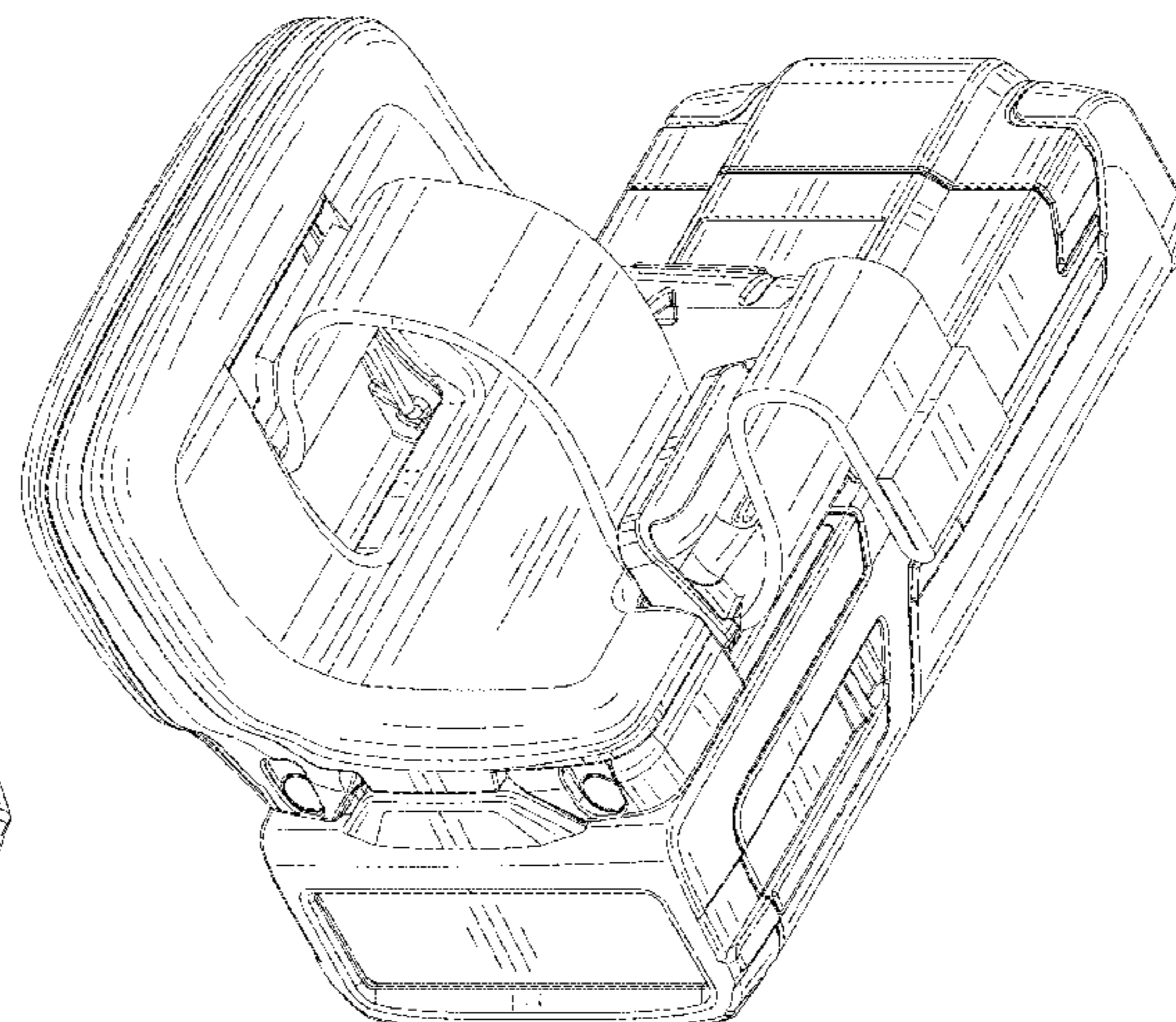
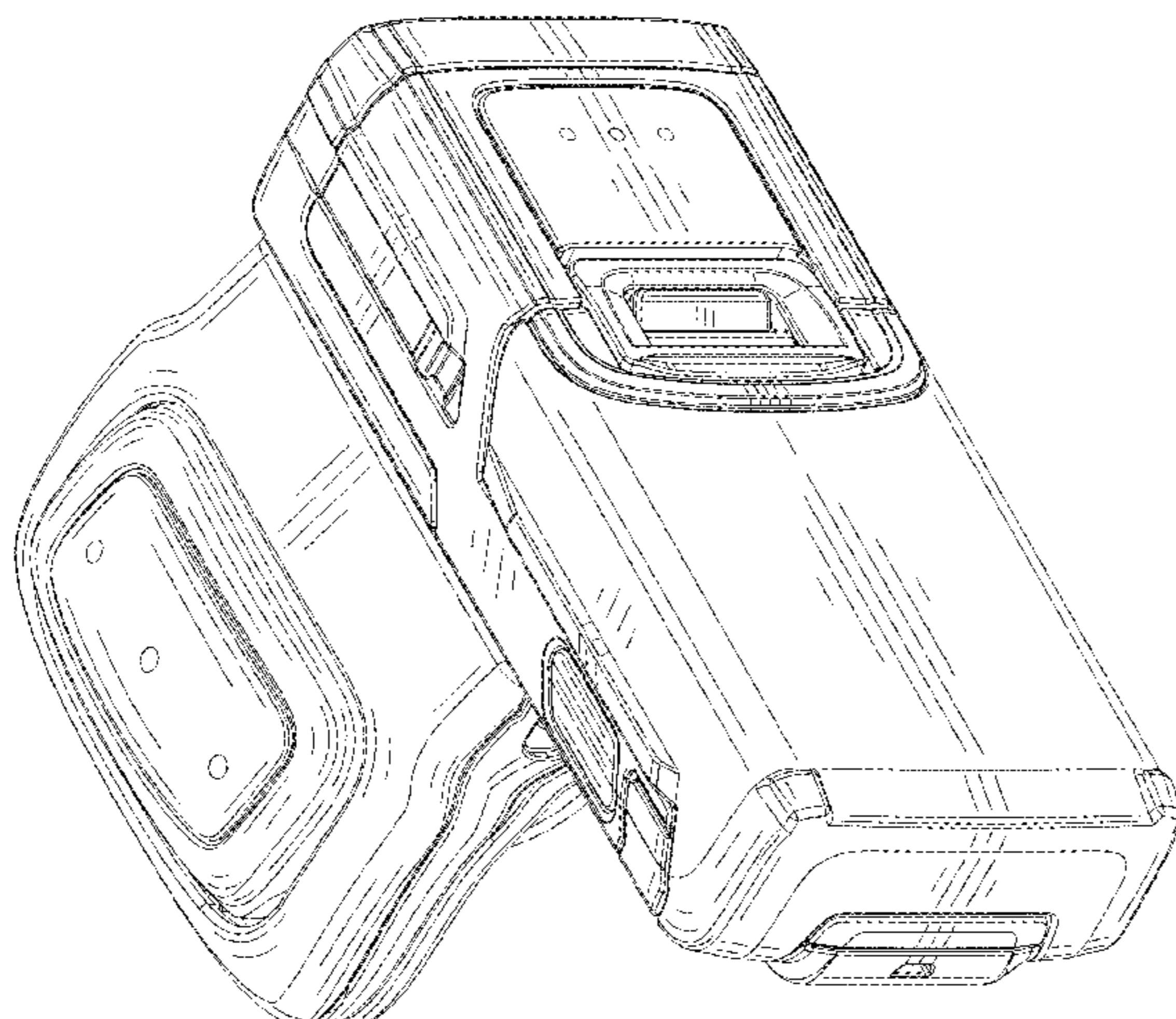
(57) **CLAIM**

We claim the ornamental design for a data capture device, as shown and described.

**DESCRIPTION**

FIG. 1 is a top perspective view of an example data capture device;  
FIG. 2 is a bottom perspective view thereof;  
FIG. 3 is a top view thereof;  
FIG. 4 is a bottom view thereof;  
FIG. 5 is a first side view thereof;  
FIG. 6 is a second side view thereof;  
FIG. 7 is a rear view thereof; and,  
FIG. 8 is a front view thereof.  
Broken lines are for purposes of illustrating environment and form no part of the design claimed.

**1 Claim, 8 Drawing Sheets**



(58) **Field of Classification Search**  
 CPC ..... A45F 2005/008; A45F 2200/0516; A45F  
 2200/0525; A45F 2200/0533; A45F  
 2200/0508; H04N 5/74; H04N 9/3129;  
 H04N 9/3141; H01H 2009/0221; A47F  
 9/046; A47F 9/047; G07G 1/0045; G04N  
 5/23238; G04N 5/2252; G04N 5/2251;  
 G03B 17/02; B25H 5/00; B66F 7/28;  
 G02B 26/10; G02B 26/106; G07F  
 11/002; G07F 11/02  
 See application file for complete search history.

7,762,731 B2 \* 7/2010 Arbuckle ..... G03B 17/08  
 277/628  
 7,942,326 B2 \* 5/2011 Miller ..... G06K 7/0004  
 235/440  
 7,959,084 B2 6/2011 Wulff  
 D654,597 S \* 2/2012 Hiramura ..... D24/186  
 8,196,787 B2 \* 6/2012 Strandberg ..... A45F 5/00  
 2/16  
 8,260,384 B2 9/2012 Wulff et al.  
 D673,953 S 1/2013 Li et al.  
 D687,332 S 8/2013 Nishizawa et al.  
 D689,862 S 9/2013 Liu  
 D743,397 S \* 11/2015 Ciabattoni ..... D14/420  
 D755,181 S \* 5/2016 Mistkawi ..... D14/420  
 9,679,180 B2 \* 6/2017 Lim ..... G06K 7/10891  
 D800,120 S \* 10/2017 Ciabattoni ..... D14/420  
 D808,391 S \* 1/2018 Schooneveldt ..... D14/426  
 D816,056 S \* 4/2018 Klein ..... D14/149  
 D832,844 S 11/2018 Lim  
 D833,438 S 11/2018 Lim et al.  
 2002/0000470 A1 1/2002 Lanzaro et al.  
 2002/0030094 A1 3/2002 Curry et al.  
 2006/0289771 A1 \* 12/2006 White ..... G06K 7/10891  
 250/370.1  
 2008/0054039 A1 \* 3/2008 Wulff ..... A45F 5/00  
 224/575  
 2008/0078837 A1 \* 4/2008 Morris ..... G06K 7/10881  
 235/462.44  
 2008/0078838 A1 \* 4/2008 Morris ..... G06K 7/10881  
 235/462.44  
 2008/0097724 A1 4/2008 Morris et al.  
 2008/0129532 A1 \* 6/2008 Bellows ..... G06K 7/0004  
 340/4.31  
 2009/0266898 A1 \* 10/2009 Miller ..... G06K 7/0004  
 235/472.01  
 2010/0176166 A1 \* 7/2010 Siagri ..... A44C 5/0007  
 224/271  
 2010/0277330 A1 \* 11/2010 Gentilini ..... G06K 7/10881  
 340/679  
 2011/0090148 A1 4/2011 Li et al.  
 2011/0121075 A1 5/2011 Bellows et al.  
 2013/0038985 A1 \* 2/2013 Powell ..... G06K 7/109  
 361/679.01  
 2013/0114232 A1 5/2013 Tsai et al.  
 2015/0181351 A1 6/2015 Sarrow et al.  
 2015/0371071 A1 \* 12/2015 Ciabattoni ..... G06K 9/20  
 235/454  
 2016/0063293 A1 \* 3/2016 Sun ..... G06K 7/10891  
 235/462.44  
 2016/0180132 A1 \* 6/2016 Lim ..... G06K 7/10891  
 235/462.45

(56) **References Cited**  
 U.S. PATENT DOCUMENTS

D335,662 S \* 5/1993 Shepard ..... D14/427  
 D342,245 S 12/1993 Krichever et al.  
 5,340,972 A \* 8/1994 Sandor ..... G06K 7/10564  
 235/462.44  
 5,448,050 A \* 9/1995 Kostizak ..... G06F 3/03543  
 235/440  
 5,514,861 A \* 5/1996 Swartz ..... G06F 1/163  
 235/462.44  
 D372,234 S \* 7/1996 LaManna ..... D14/427  
 5,550,366 A \* 8/1996 Roustaei ..... G06K 7/10891  
 235/455  
 5,576,530 A \* 11/1996 Hagerty ..... G06K 7/10752  
 235/462.47  
 5,587,577 A \* 12/1996 Schultz ..... B60R 11/02  
 235/462.44  
 D377,348 S 1/1997 Karlin  
 D384,048 S \* 9/1997 Myers ..... D14/411  
 D385,855 S \* 11/1997 Ronzani ..... D14/344  
 D391,250 S 2/1998 Swift et al.  
 5,808,289 A \* 9/1998 Becker ..... G06K 7/10891  
 235/462.01  
 6,015,090 A \* 1/2000 Swartz ..... G06K 7/10861  
 235/462.32  
 6,036,093 A \* 3/2000 Schultz ..... G06F 1/163  
 235/462.43  
 D454,551 S \* 3/2002 Bonadei ..... D10/31  
 D462,688 S 9/2002 Schieffers et al.  
 D462,964 S 9/2002 Croley et al.  
 6,634,558 B1 10/2003 Patel et al.  
 7,140,546 B1 \* 11/2006 Terlizzi ..... G06K 7/10881  
 235/472.01  
 D554,641 S 11/2007 Miller et al.  
 D585,066 S \* 1/2009 Morris ..... D14/427  
 D601,151 S 9/2009 Morris et al.

\* cited by examiner



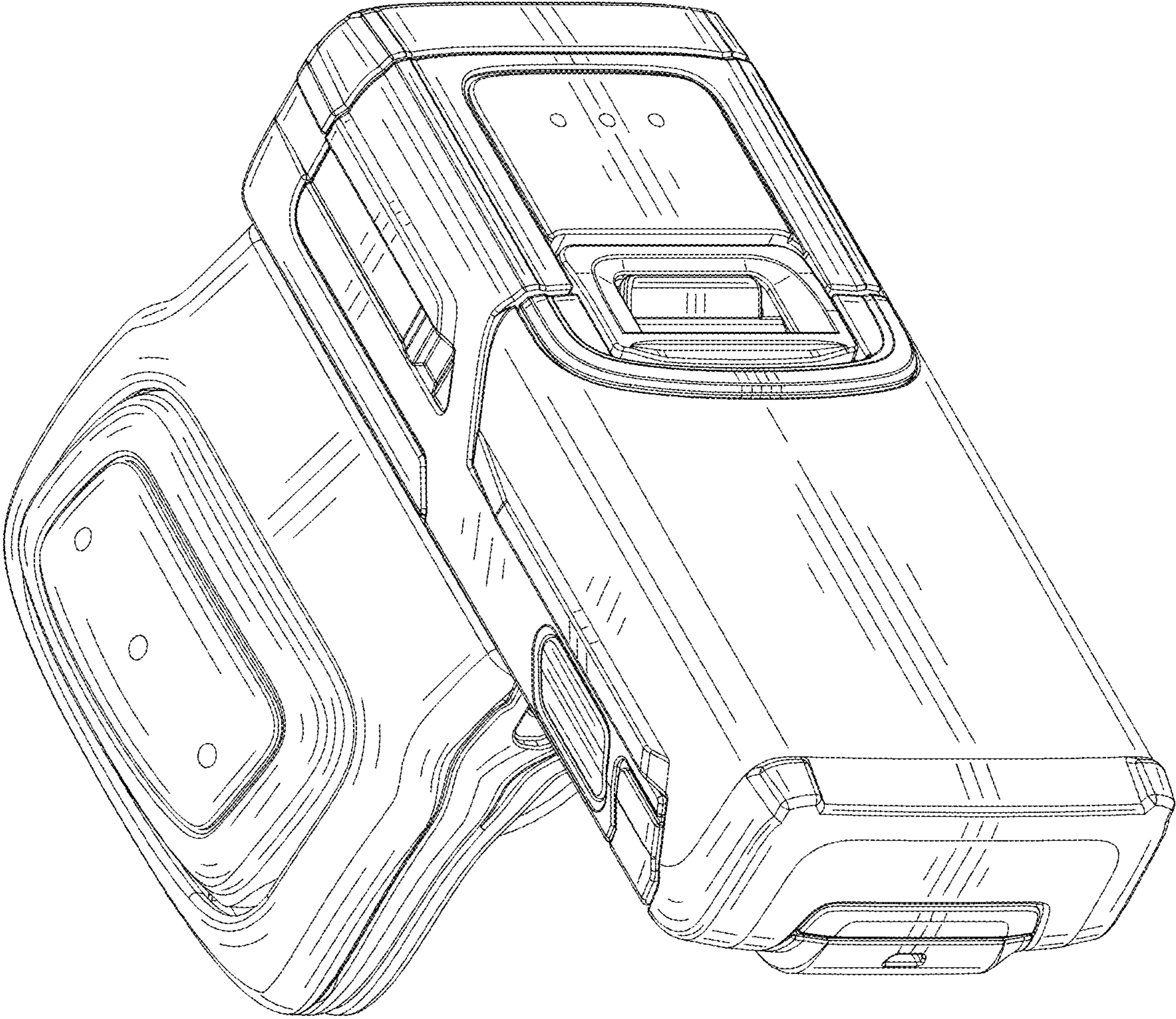


FIG. 1

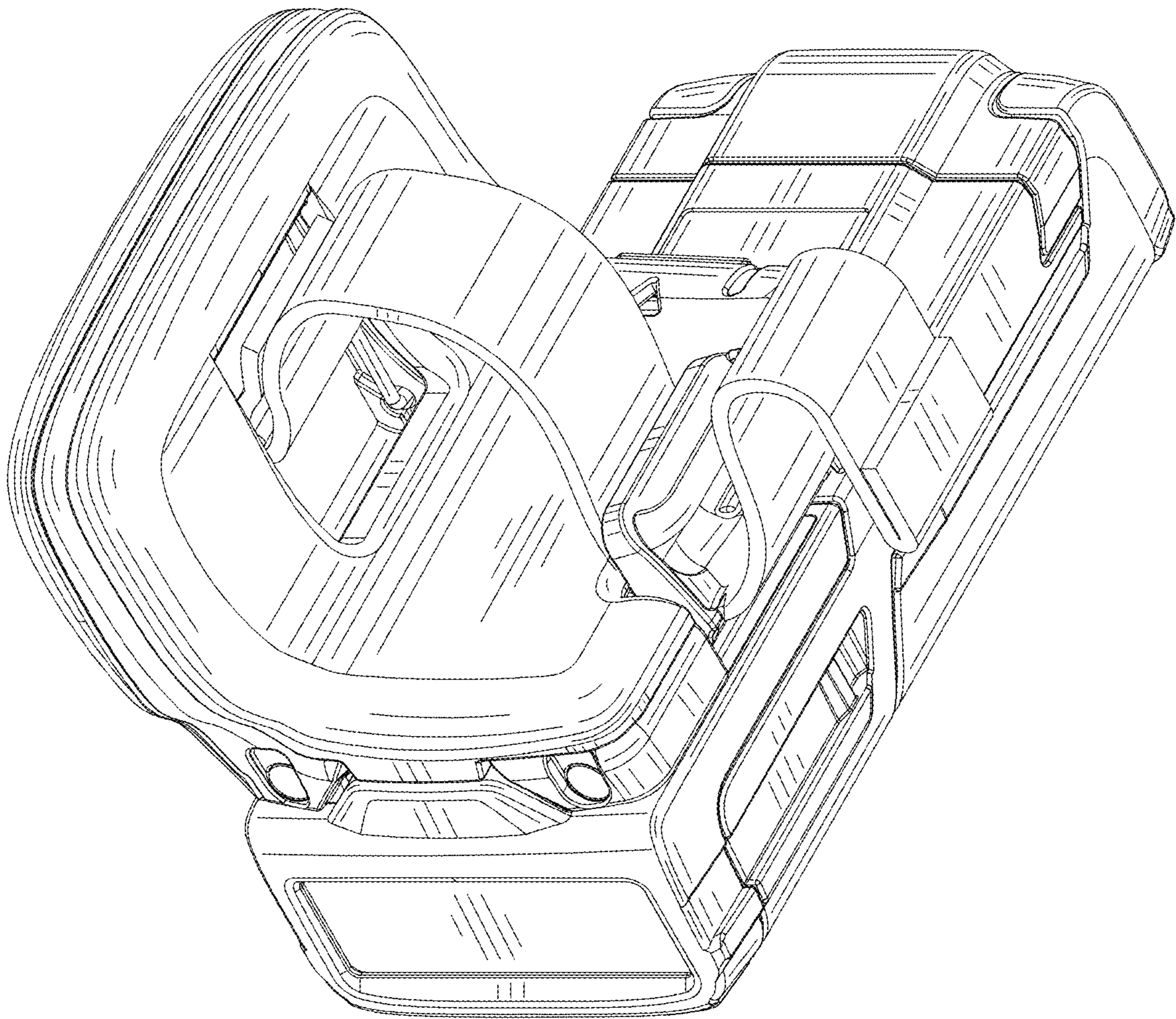


FIG. 2



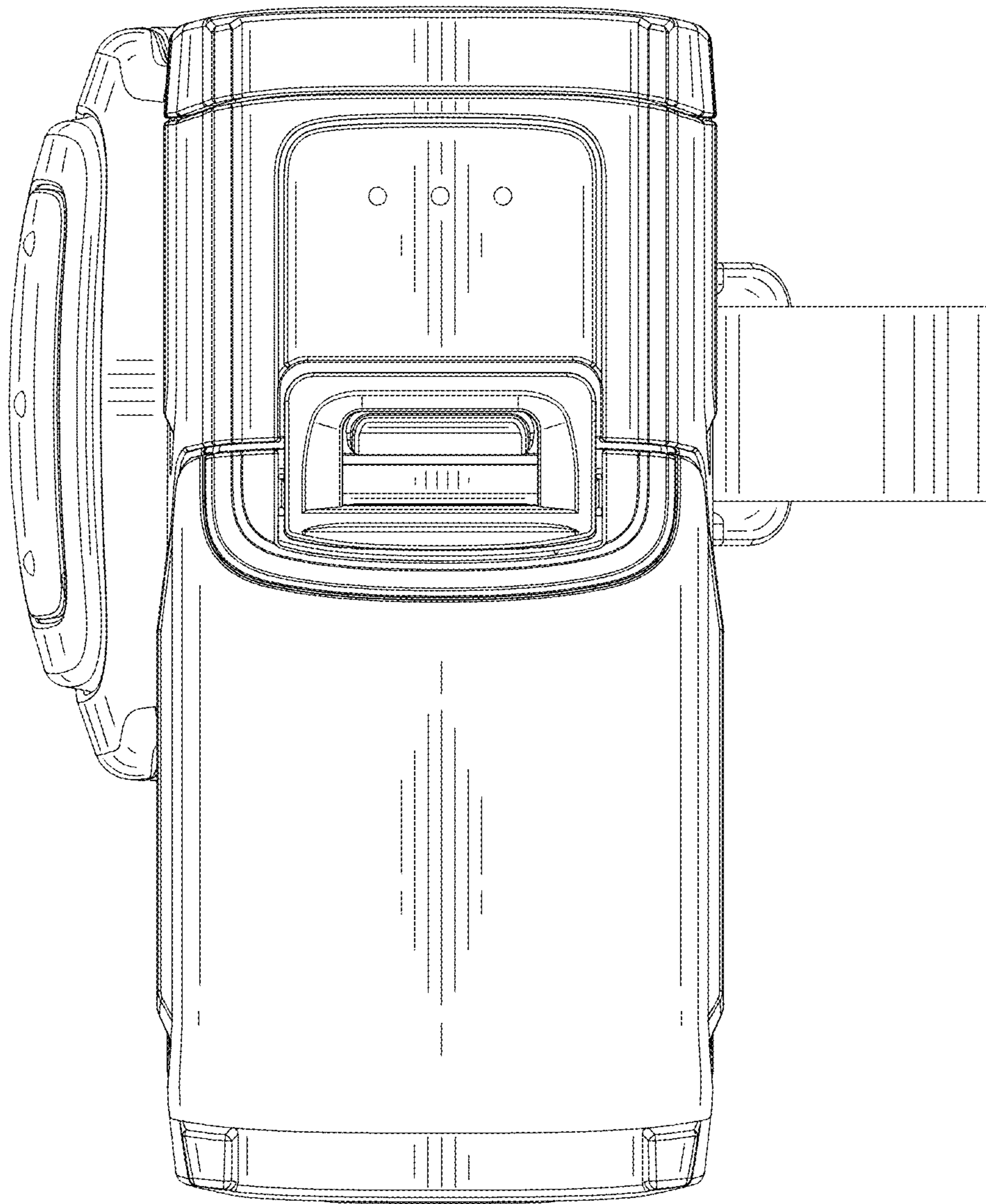


FIG. 3

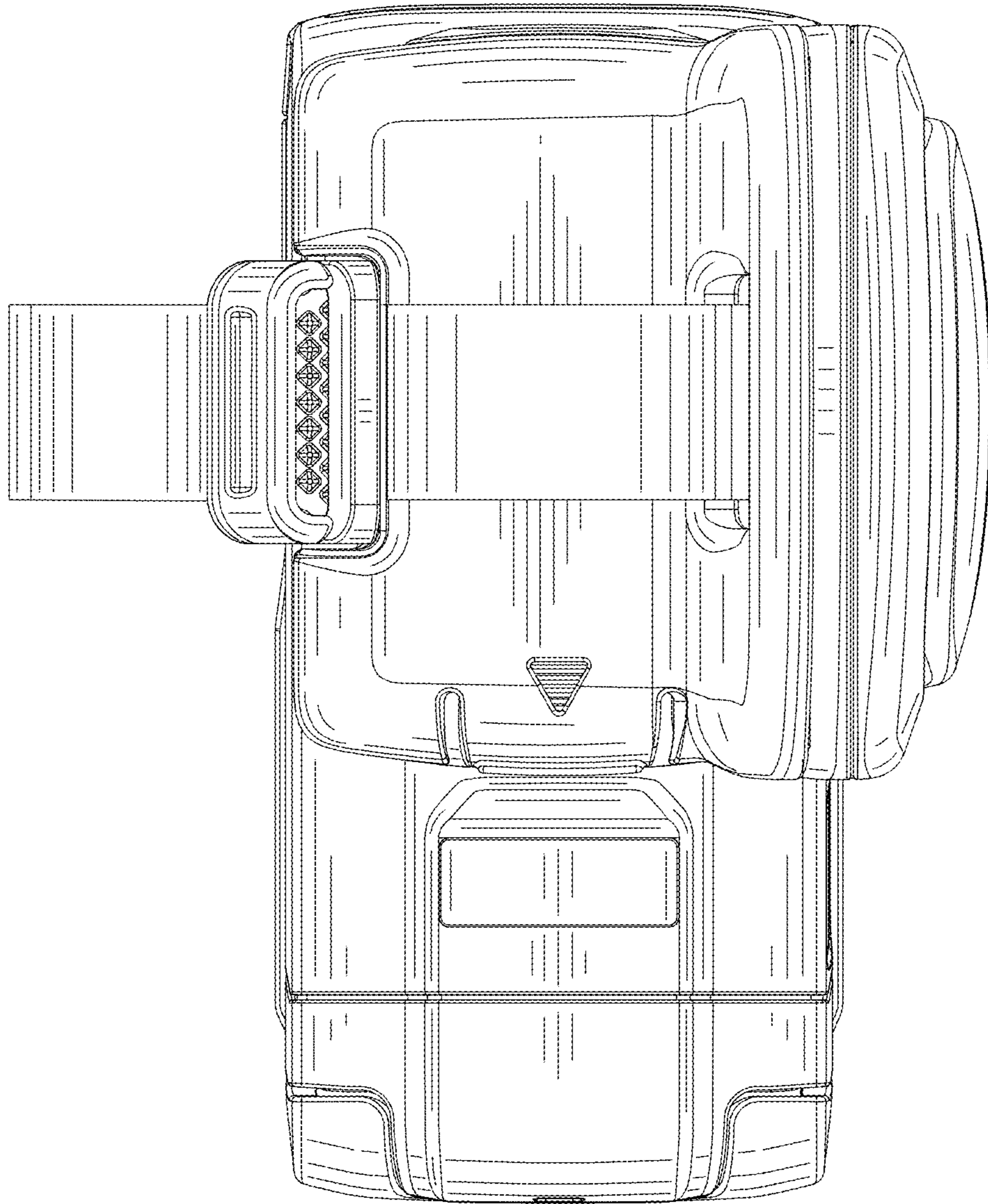


FIG. 4

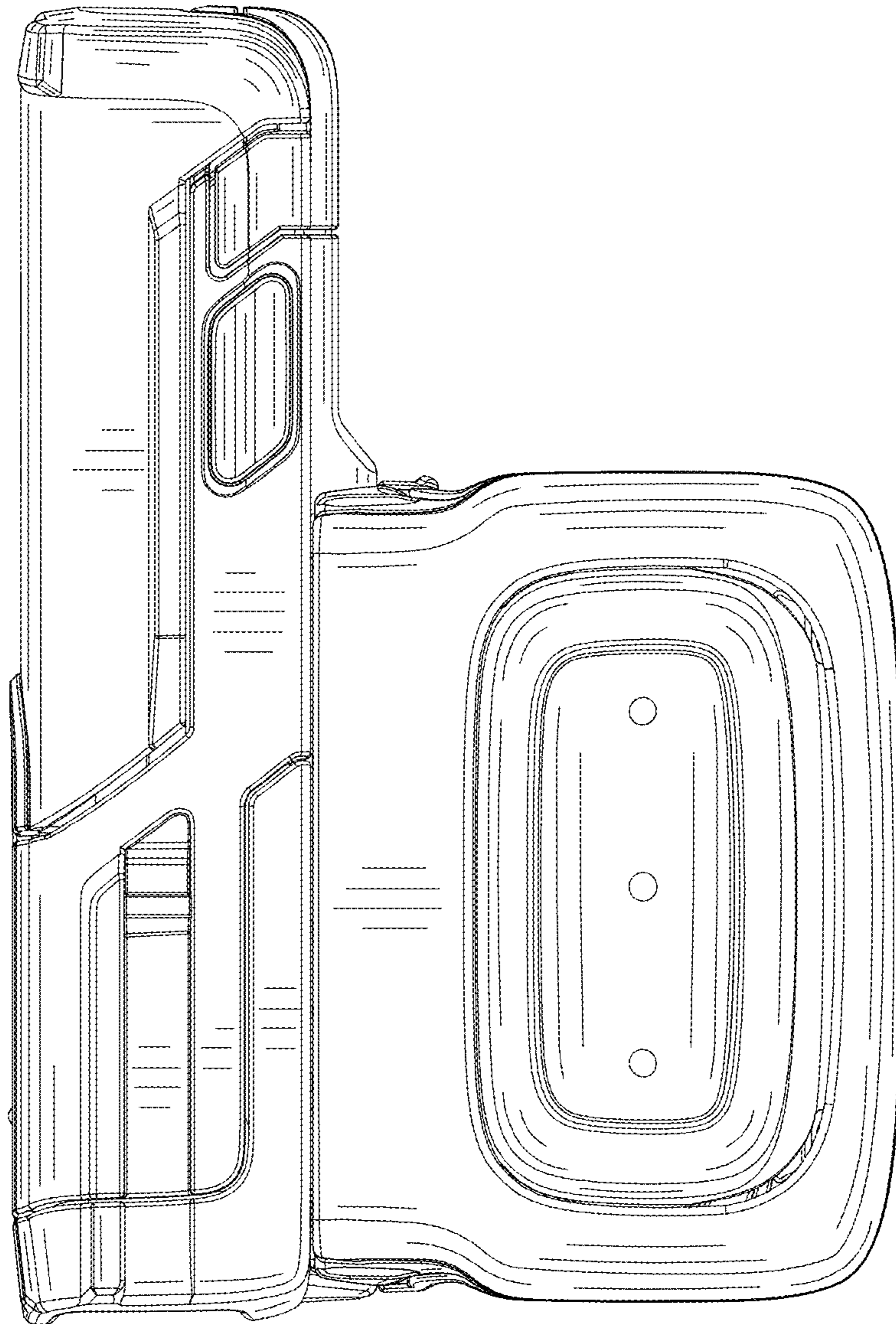


FIG. 5

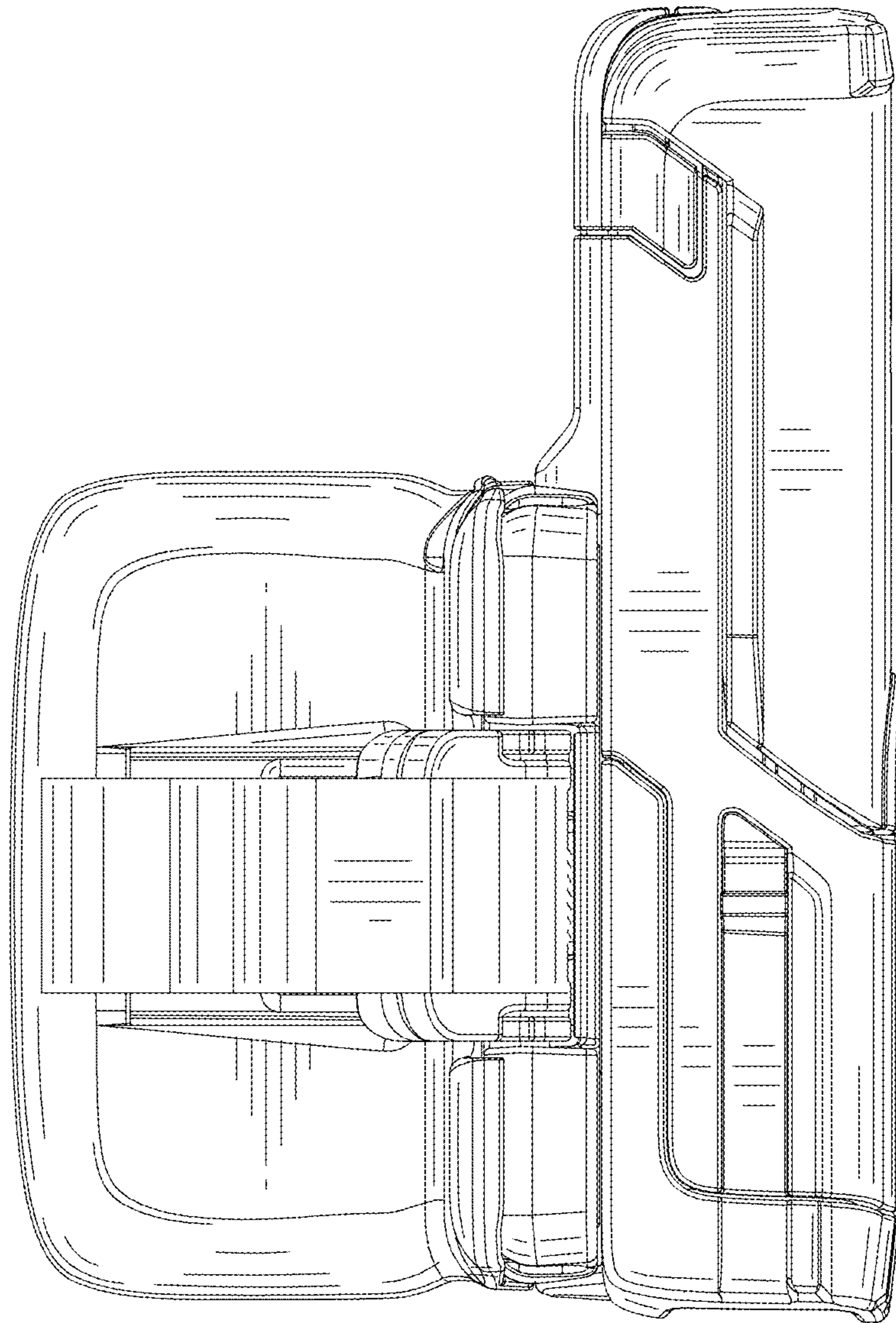


FIG. 6



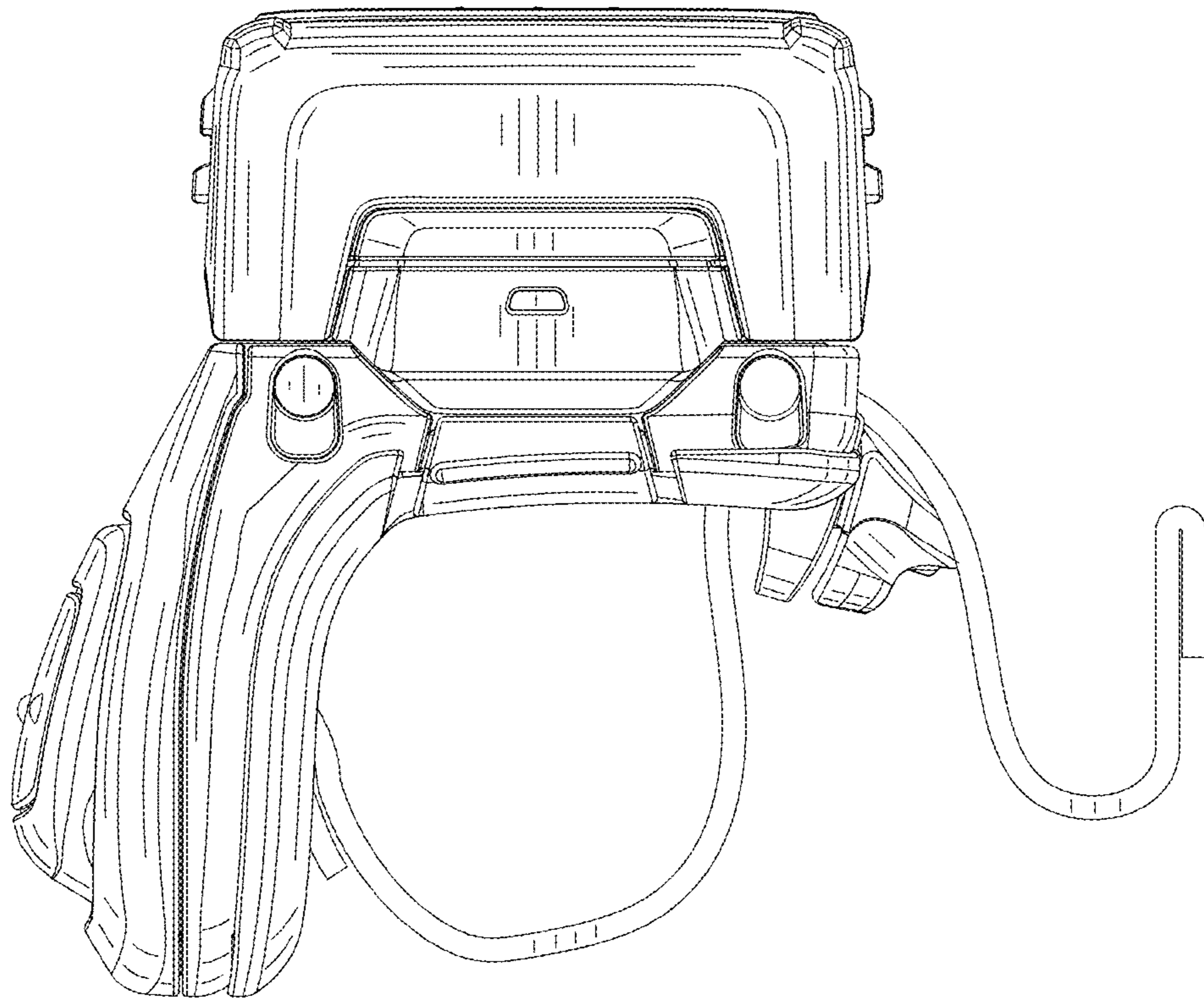


FIG. 7

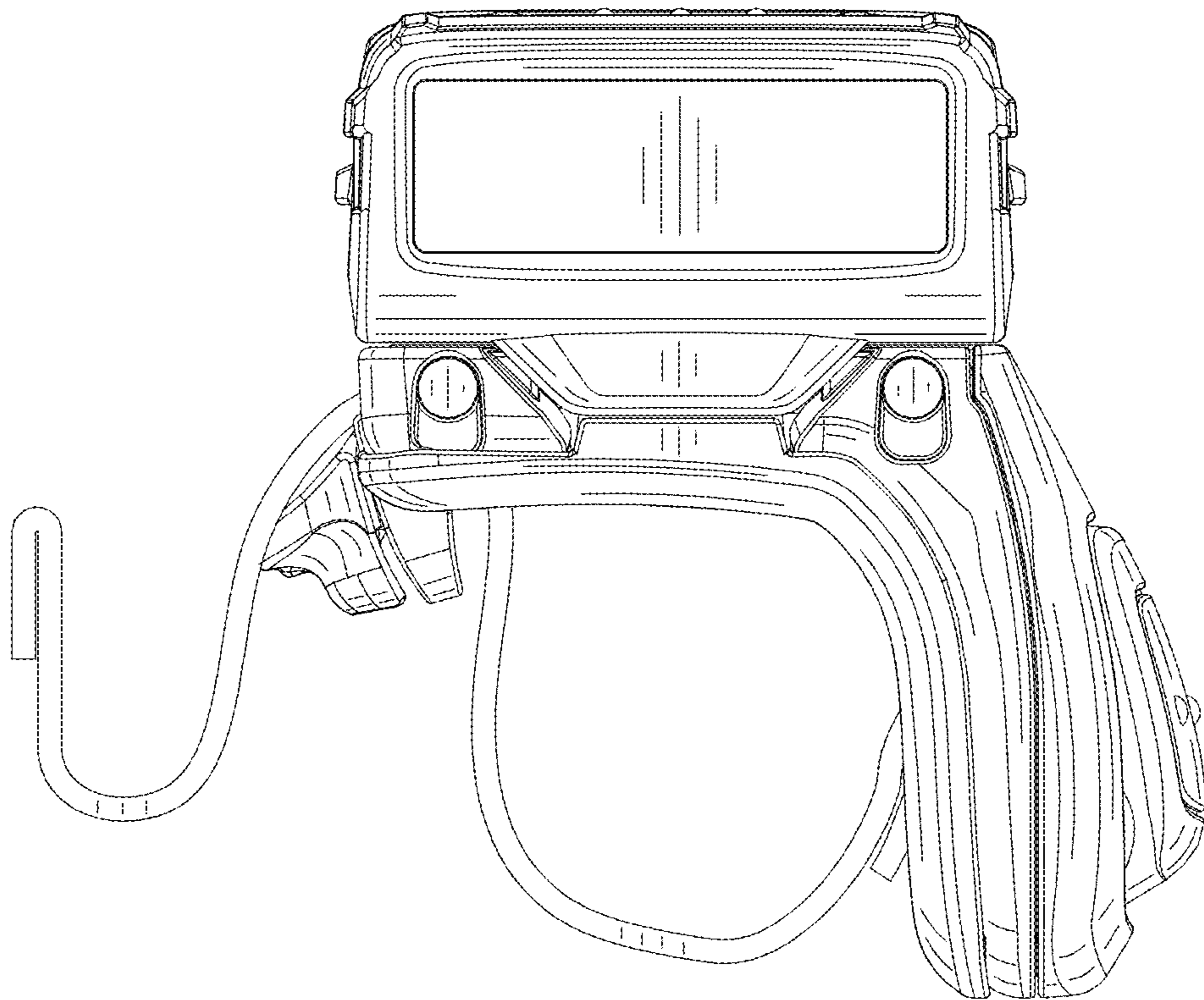


FIG. 8