



US00D918913S

(12) **United States Design Patent** (10) **Patent No.:** **US D918,913 S**
Xu et al. (45) **Date of Patent:** **** May 11, 2021**

(54) **OPTICAL READER**

Primary Examiner — Susan Moon Lee

(71) Applicant: **Hand Held Products, Inc.**, Fort Mill, SC (US)

(74) *Attorney, Agent, or Firm* — Alston & Bird LLP

(72) Inventors: **Chang Xu**, Shanghai (CN); **Zhao Xia Jin**, Shanghai (CN); **Xi He**, Suzhou (CN); **Lei Xu**, Suzhou (CN)

(57) **CLAIM**

The ornamental design for an optical reader, as shown as described.

(73) Assignee: **HAND HELD PRODUCTS, INC.**, Fort Mill, SC (US)

DESCRIPTION

(**) Term: **15 Years**

FIG. 1 is a front right perspective view of an optical reader, according to a first embodiment;

(21) Appl. No.: **29/718,673**

FIG. 2 is a front left perspective view of the optical reader of FIG. 1;

(22) Filed: **Dec. 27, 2019**

FIG. 3 is a rear elevation view of the optical reader of FIG. 1;

(30) **Foreign Application Priority Data**

FIG. 4 is a front elevation view of the optical reader of FIG. 1;

Jun. 28, 2019 (CN) 201930341232.7

FIG. 5 is a bottom view of the optical reader of FIG. 1;

(51) **LOC (13) Cl.** **14-02**

FIG. 6 is a left side view of the optical reader of FIG. 1;

(52) **U.S. Cl.**

FIG. 7 is a front view of the optical reader of FIG. 1;

USPC **D14/420**

FIG. 8 is a right side view of optical reader of FIG. 1;

(58) **Field of Classification Search**

USPC D14/420, 426–430, 453, 169, 172, 204, D14/216, 496, 358, 251, 240, 356, 203.1,

FIG. 9 is a rear view of the optical reader of FIG. 1;

(Continued)

FIG. 10 is a top view of optical reader of FIG. 1;

(56) **References Cited**

U.S. PATENT DOCUMENTS

D224,233 S * 7/1972 Suidobashi D14/371

FIG. 11 is a front right perspective view of an optical reader, according to a second embodiment;

D734,337 S * 7/2015 Volta D14/420

FIG. 12 is a front left perspective view of the optical reader of FIG. 11;

(Continued)

FIG. 13 is a rear elevation view of the optical reader of FIG. 11;

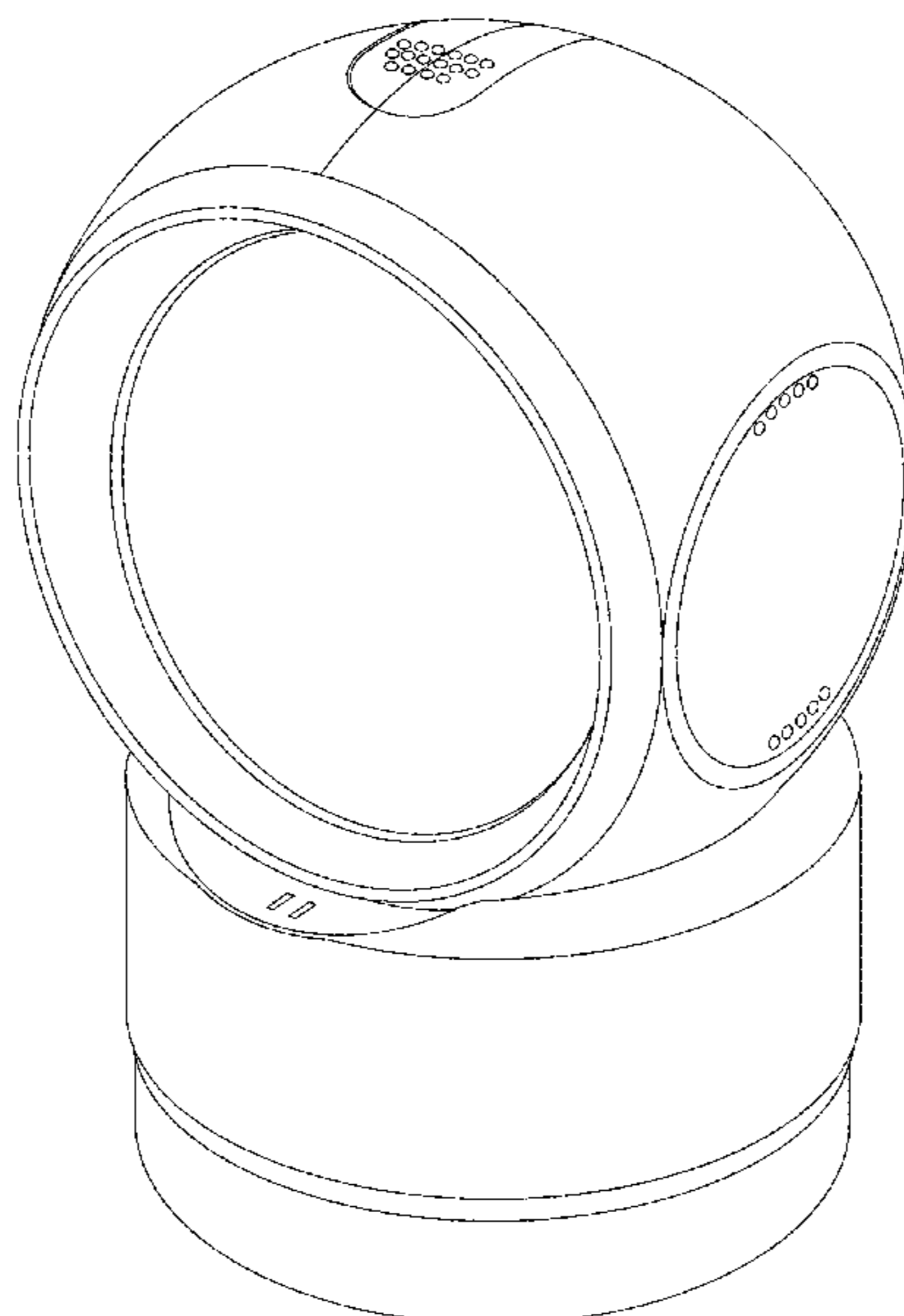
OTHER PUBLICATIONS

CN Notice of Allowance dated May 15, 2020 for CN Application No. 201930341232.

FIG. 14 is a front elevation view of the optical reader of FIG. 11;

FIG. 15 is a bottom view of the optical reader of FIG. 11;

1 Claim, 20 Drawing Sheets



(58) **Field of Classification Search**

USPC D14/214; 235/462.01, 462.11, 462.43, 235/462.45, 462.49, 472.01, 385, 454; 382/313, 321, 318; 358/473; 250/215, 250/216; D26/37–50, 24; 362/157, 158, 362/171–174, 183–208; 396/427; D16/200, 202–204, 208, 210, 214, 221, D16/225

CPC G06K 7/10584; G06K 7/10613; G06K 7/109; G06K 7/10693; G06K 7/10871; G06K 7/1096; G06K 7/10; G06K 7/10564; G06K 7/10594; G06K 7/10603; G06K 7/10663; G06K 7/10673; G06K 7/10702; G06K 7/10792; G06K 7/10633; G06K 7/10653; G06K 7/10881; G06K 7/10891; G06K 7/14; G06K 7/1443; G06K 7/10801; G06K 7/10811; G06K 7/10851; G06K 7/10861; G06K 2207/1011; G06K 2207/1012; G06K 2207/1013; G06K 2207/1016; G06K 2207/1017; G06K 2207/1018; G06K 2207/10534; G06K 17/0022; A47F 9/046; A47F 9/047; G07G 1/0045; G04N 5/23238; G04N 5/2252; G04N 5/2251; G03B 17/02; B25H 5/00; B66F 7/28; G02B 26/10; G02B 26/106; G07F 11/002; G07F 11/02; G06Q 20/343; G06F 2203/0331

See application file for complete search history.

(56) **References Cited**

U.S. PATENT DOCUMENTS

D741,931 S *	10/2015	Huang	D16/202
D754,662 S *	4/2016	Volta	D14/420
D769,875 S *	10/2016	Volta	D14/420
D810,804 S *	2/2018	Borel	D16/203
D861,056 S *	9/2019	Joo	D16/202
D863,402 S *	10/2019	Guo	D16/203
D884,052 S *	5/2020	Tang	D16/203
D891,431 S *	7/2020	Iacovitti	D14/420
2002/0030107 A1 *	3/2002	Byun	G06K 7/10792 235/462.45
2009/0251538 A1 *	10/2009	Wada	G08B 13/1963 348/143
2011/0115973 A1 *	5/2011	Tatewaki	G03B 17/02 348/373
2012/0262573 A1 *	10/2012	Bridges	G01S 7/491 348/135
2016/0127618 A1 *	5/2016	Bart	F16M 13/00 348/373

OTHER PUBLICATIONS

CN Office Action dated Mar. 5, 2020 for CN Application No. 201930341232.
 CN Office Action dated Oct. 30, 2019 for CN Application No. 201930341232.
 English summary translation of CN Office Action dated Mar. 5, 2020 for CN Application No. 201930341232.

English summary translation of CN Office Action dated Oct. 30, 2019 for CN Application No. 201930341232.
 English translation of CN Notice of Allowance dated May 15, 2020 for CN Application No. 201930341232.
 Amazon, 1D Handsfree Barcode Scanner Omnidirectional (100 Laser Lines), Highly Accurate Sensor for Automatic Scanning, Auto Activate & Sleep, 1400Times/Sec. MUNBYN Wired Barcode Reader, 2M USB for PC Device, Aug. 22, 2017, 11 pages, <https://www.amazon.com/dp/B076M7KLKK/>, Mar. 31, 2020.
 Amazon, Datalogic Cobalto CO5330 Omnidirectional Presentation 1D Laser Barcode Scanner with USB Cable, Jan. 25, 2017, 5 pages, <https://www.amazon.com/Datalogic-Cobalto-Omnidirectional-Presentation-Barcode/dp/B01N9VP01B>, Mar. 31, 2020.
 Amazon, Honeywell HF600(2D-Entry level) 1D/2D Desktop Scanners |Barcode readers|Image Readers (Black), Sep. 5, 2018, 3 pages, <https://www.amazon.in/Honeywell-YJ-Imaging-Barcode-Scanner/dp/B06ZZYW49C>, Mar. 31, 2020.
 Amazon, Honeywell Orbit 7190g 1D, 2D Kit (Black)—USB, May 12, 2017, 4 pages, <https://www.amazon.com/dp/B072PC45DB/>, Mar. 31, 2020.
 Amazon, Honeywell Orbit 7190g 1D, 2D Kit (White)—USB, May 12, 2017, 5 pages, <https://www.amazon.com/dp/B071HM73B8/>, Mar. 31, 2020.
 Amazon, Honeywell Orbit MK7120-31A38 Omnidirectional Presentation Laser Scanner, Adjustable Scan Head, Including USB Cord and Mounting Plate Kit, Jun. 18, 2014, 6 pages, <https://www.amazon.com/Honeywell-MK7120-31A38-Omnidirectional-Presentation-Adjustable/dp/B01FIRW0XO>, Mar. 31, 2020.
 Amazon, IDetect.net ID Scanner Machine | Data Reader & Collector | Age Verification, Driver License Smart Checker Scan | Data-sync Software | Ideal for Tablets, Laptop, PC & POS Systems, Jan. 26, 2017, 7 pages, <https://www.amazon.com/dp/B01N4T13T6/>, Mar. 31, 2020.
 Barcode Factory, Datalogic Cobalto CO5330, 5 pages, <https://www.barcodefactory.com/datalogic/scanners/cobalto>, Apr. 2, 2020.
 Ebuy7, Honeywell Honeywell Scanning Platform mk / ms7120 / plus / 7190g / HF680 / YJ5900 / HF600 Cash Register Scanner 2D Code Scanner Spherical Supermarket Convenience Store, 26 pages, <https://www.ebuy7.com/item/honeywell-scanning-plafform-mk-ms7120-barcode-scanning-gun-2d-code-payment-collection-code-scanner-spherical-large-eye-laser-scanning-code-gun-supermarket-convenience-store-cash-register-37601494408>, Mar. 31, 2020.
 Honeywell International Inc., Orbit 7120/OrbitCG 7180, Omnidirectional Laser Scanners, Jan. 1, 2016, 2 pages, https://www.honeywellaidc.com/en-gb/_/media/en/files-public/data-sheets/orbit-7120-orbitcg-7180-hands-free-scanner-data-sheet-en-a4.pdf, Mar. 31, 2020.
 Honeywell, 7120 Orbit TM, Presentation Laser Scanner, User's Guide, Jan. 1, 2014, 44 pages, 00-02282 Reg G, <https://aidc.honeywell.com/CatalogDocuments/00-02282%20Rev%20G%201-14.pdf>, Mar. 31, 2020.
 Honeywell, Youjie, HF600| Presentation Area-imaging Scanner, Jan. 1, 2015, YouJieaidc.com, 2 pages, <https://visionid.ie/image/pdf/spec-sheet/HF600.pdf>, Mar. 31, 2020.
 Logis Center, YJ-HF500-R1—Honeywell Scanner Yj-HF500 Black, 2 pages, <https://www.logiscenter.eu/yj-hf500-r1-honeywell-youjie-hf600-barcode-scanner>, Mar. 31, 2020.
 Logis Center, Youjie HF600 Presentation Area-imaging Scanner (Honeywell), Jan. 1, 2016, 2 pages, <https://www.logiscenter.eu/media/pdf/honeywell-youjie-hf600.pdf>, Mar. 31, 2020.
 POSGuys, DataLogic Cobalto CO5300, Dec. 3, 2015, 8 pages, https://posguys.com/omni-barcode-scanners_54/DataLogic-Cobalto-CO5300_2417/, Mar. 31, 2020.

* cited by examiner

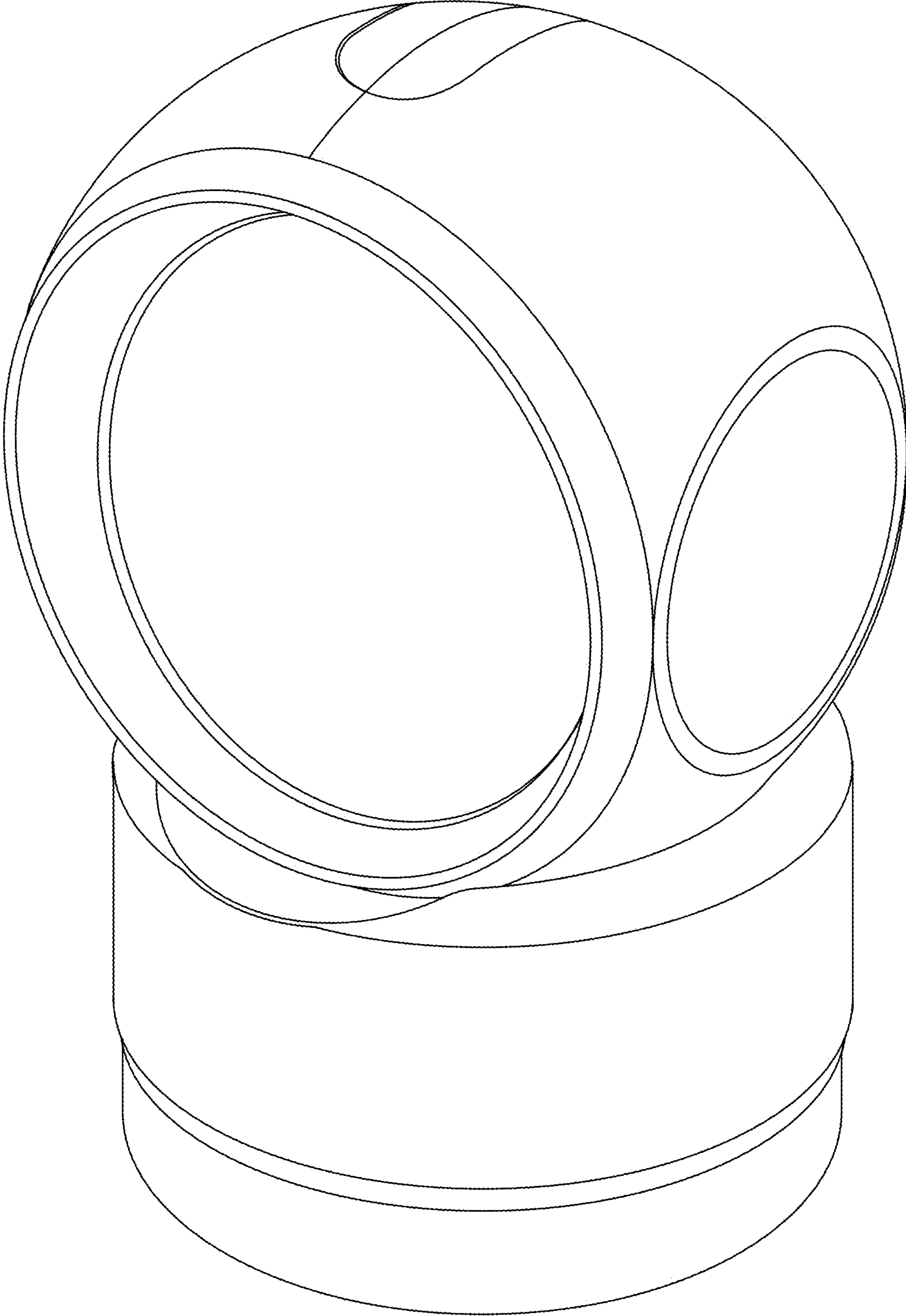


FIG. 1

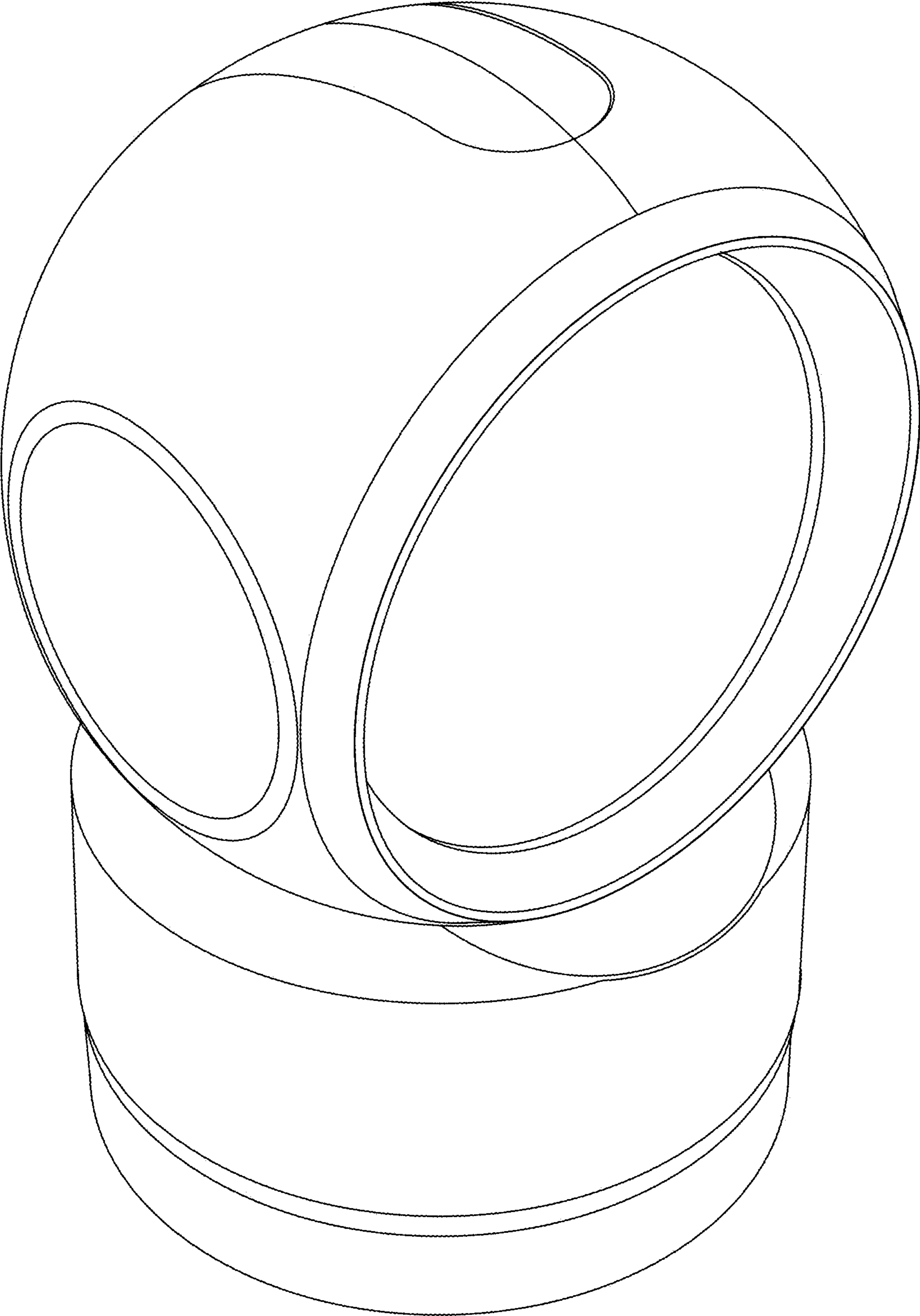


FIG. 2

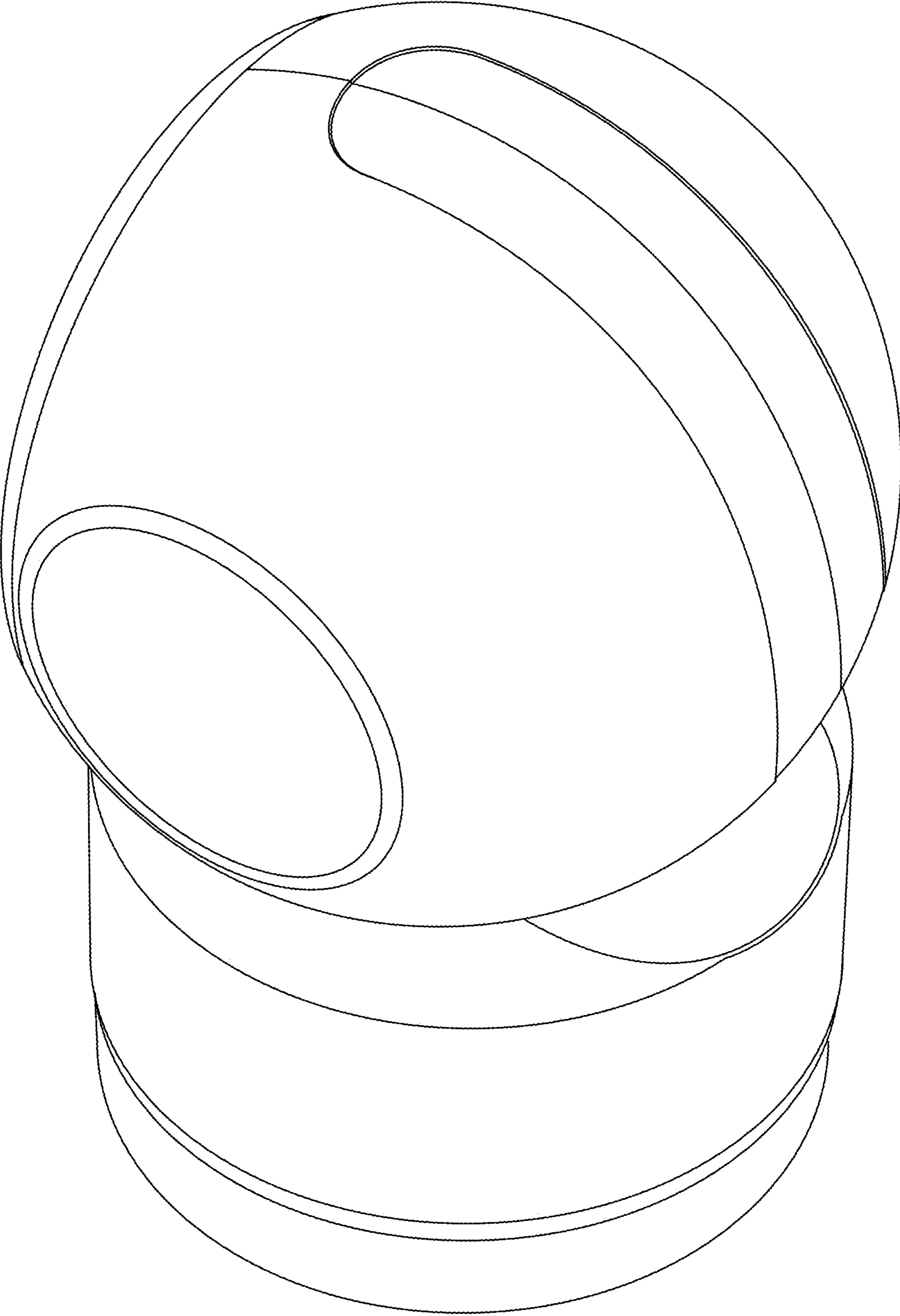


FIG. 3

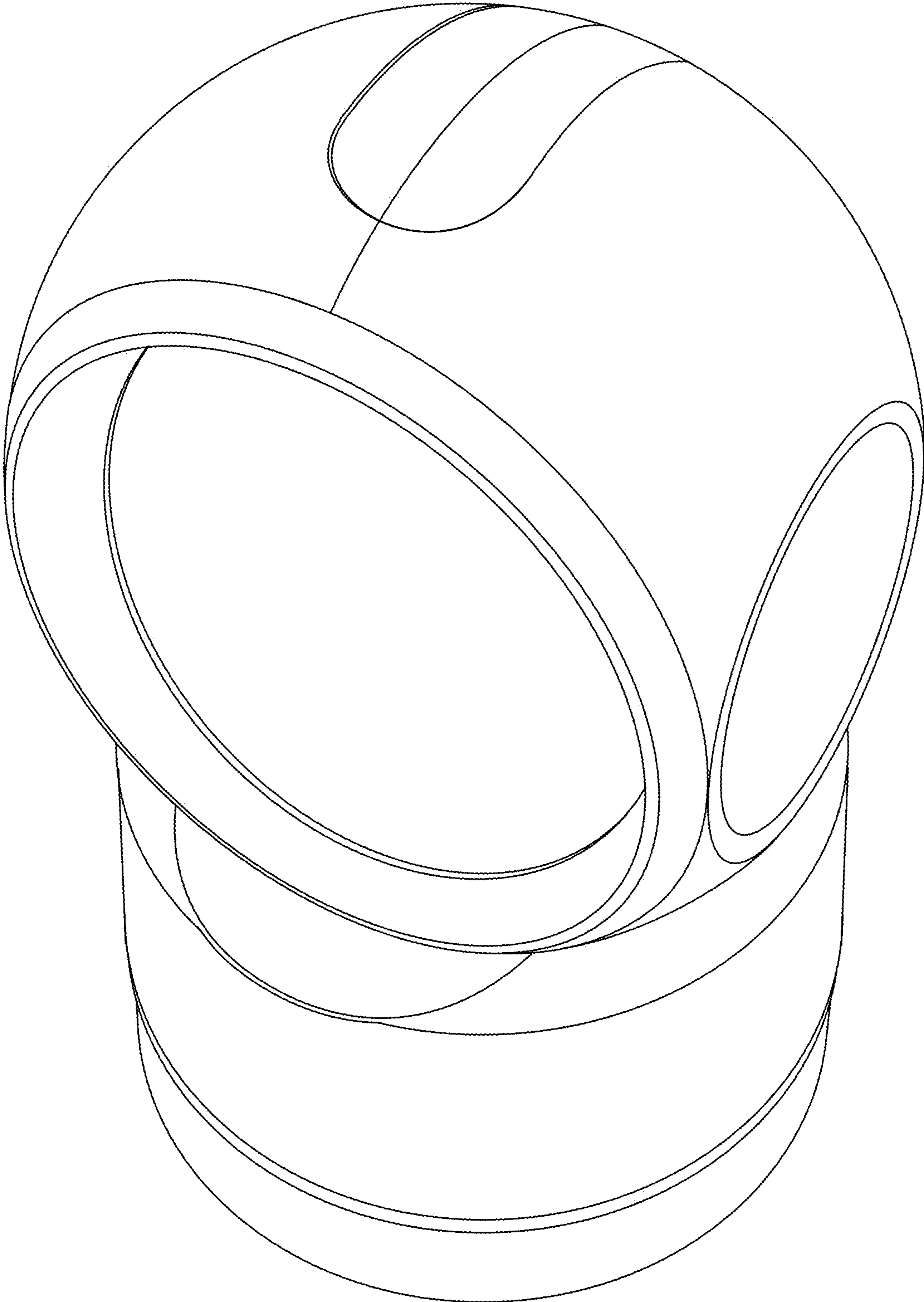


FIG. 4

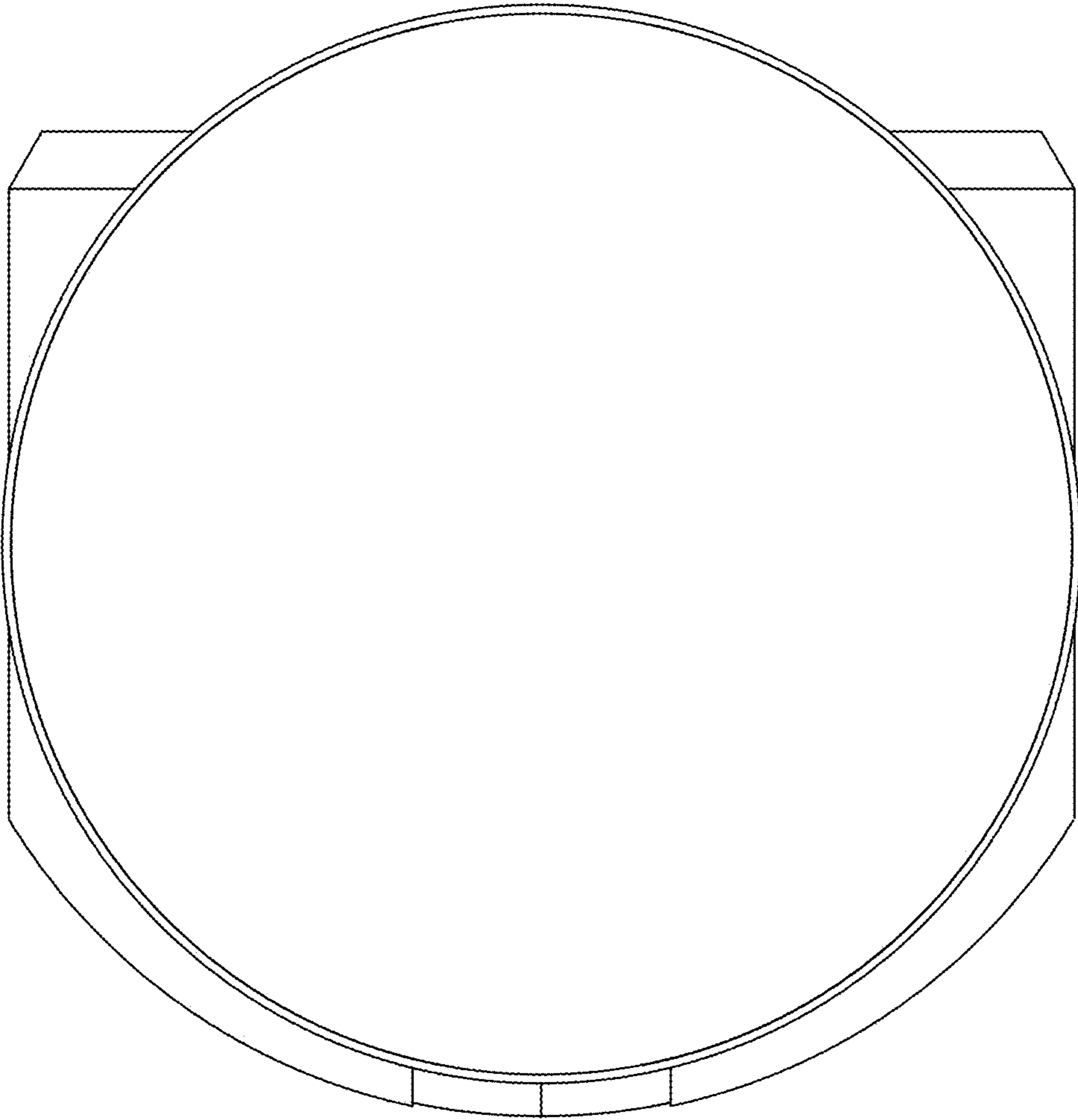


FIG. 5

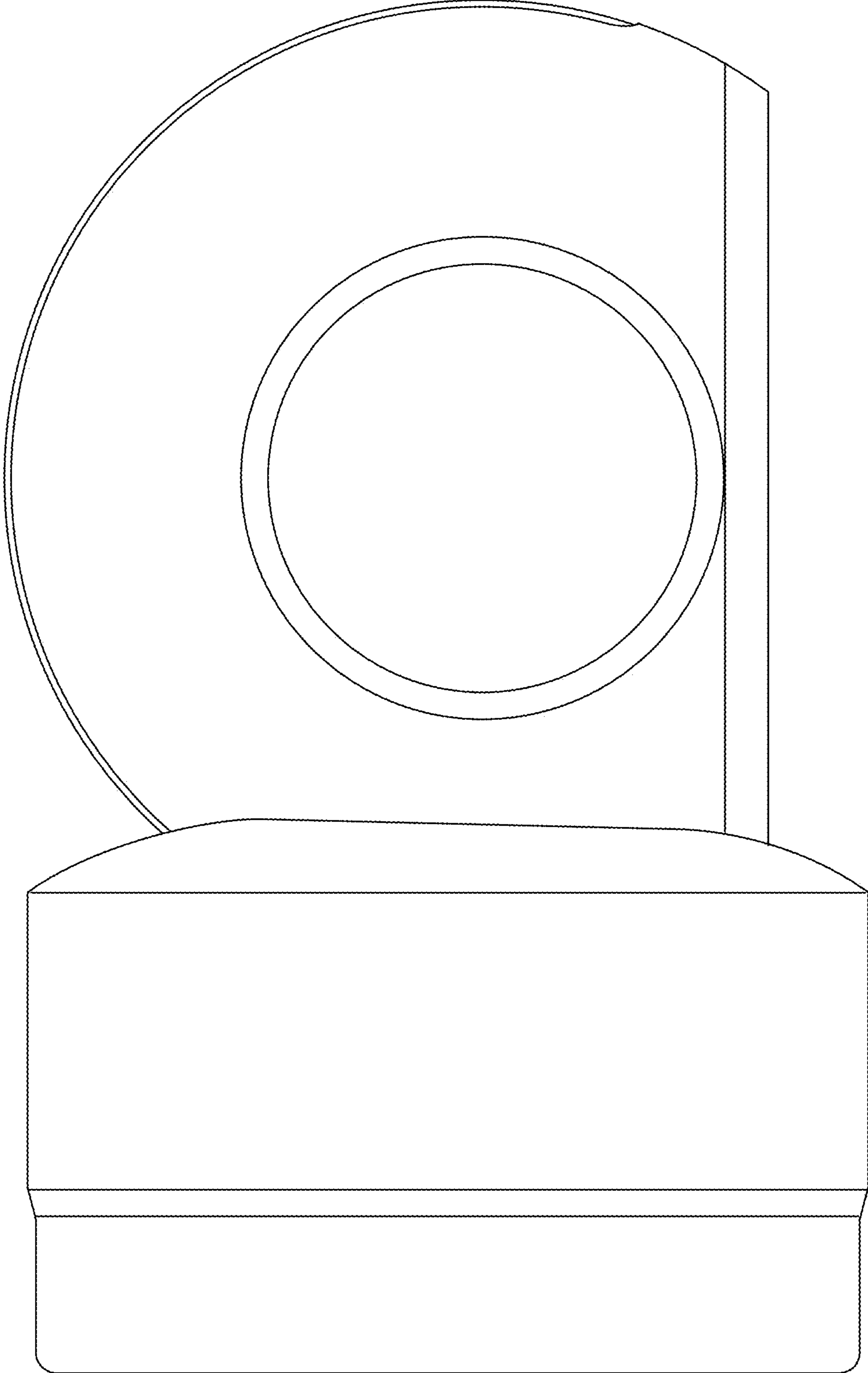


FIG. 6

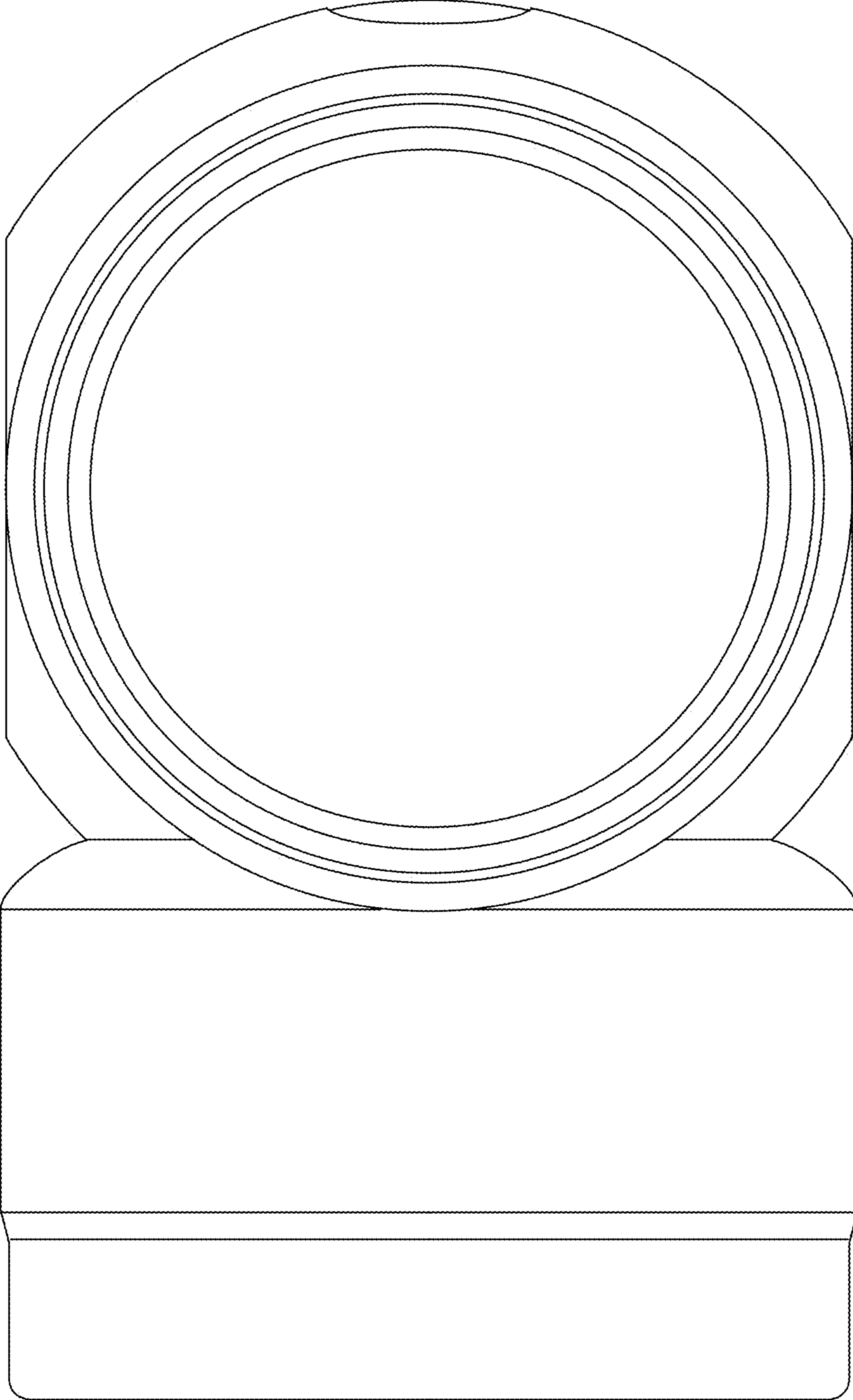


FIG. 7

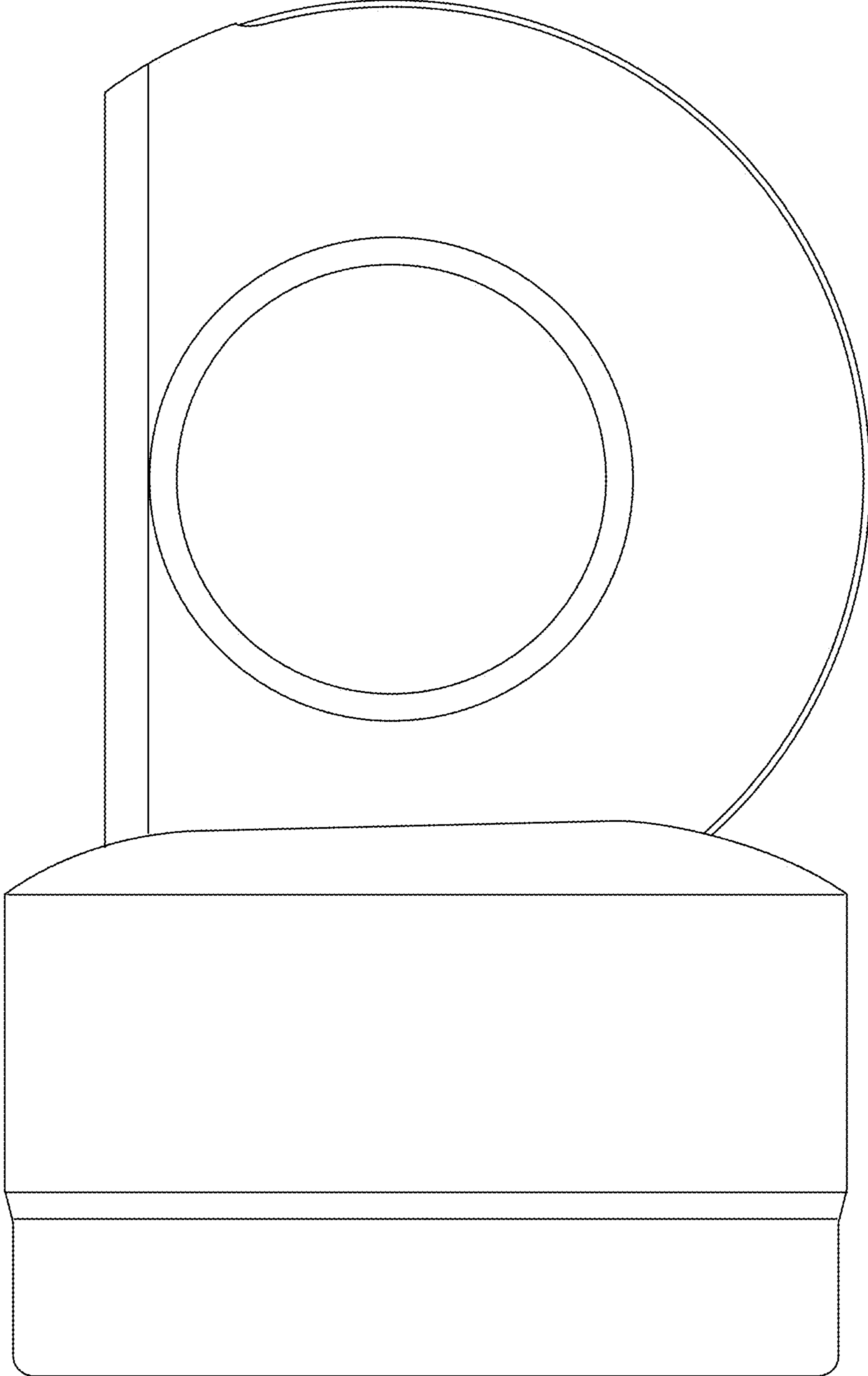


FIG. 8

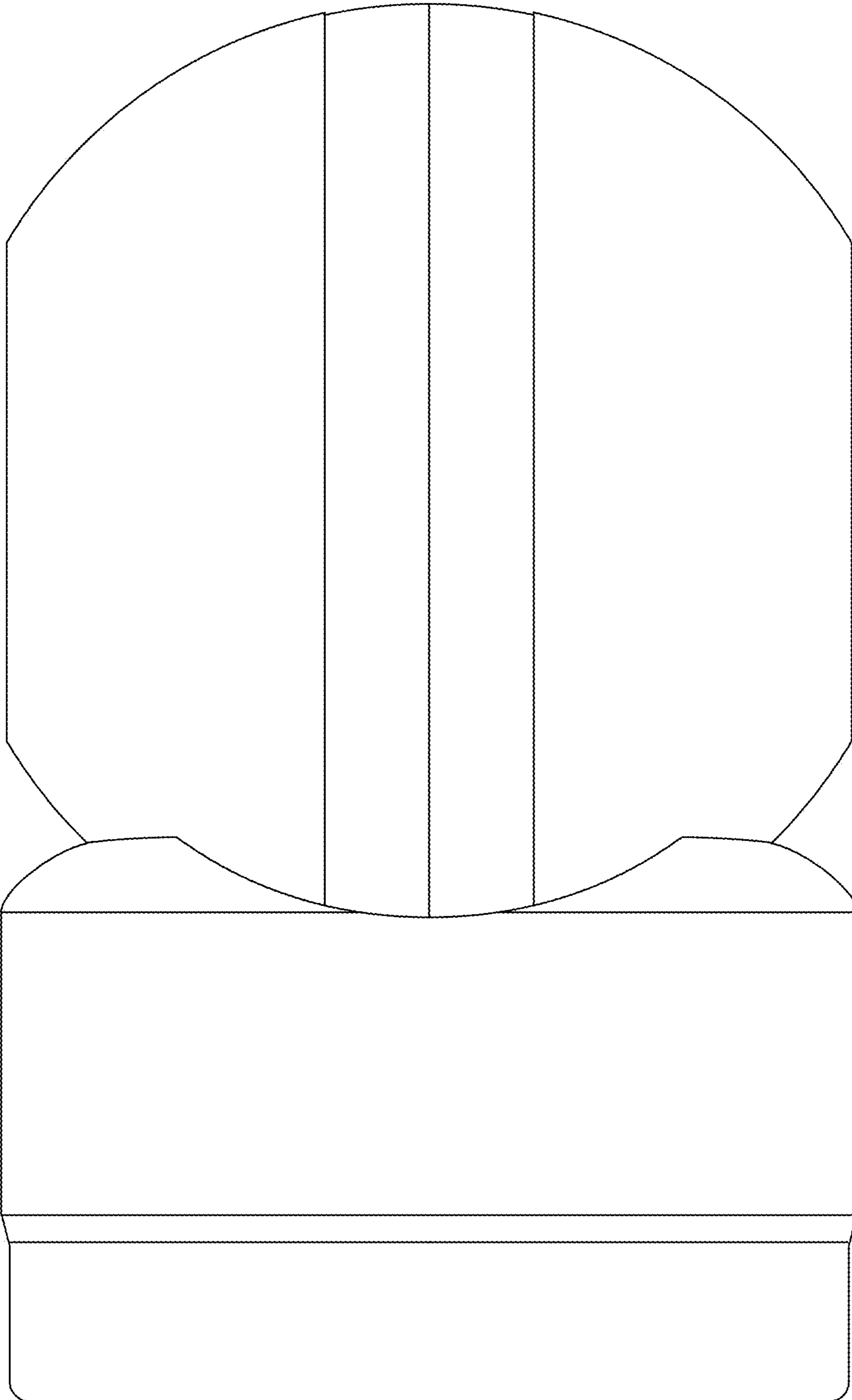


FIG. 9

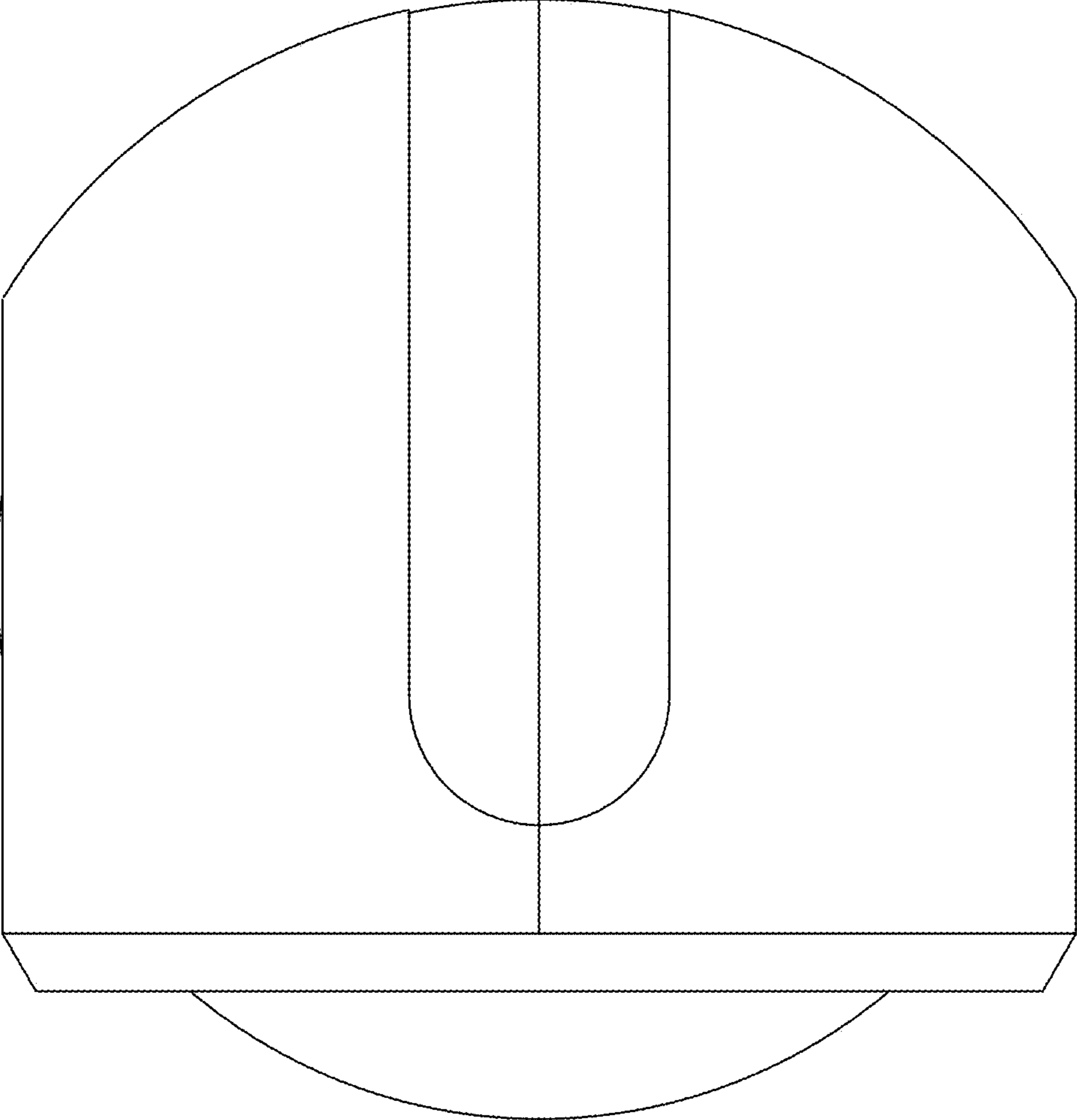


FIG. 10

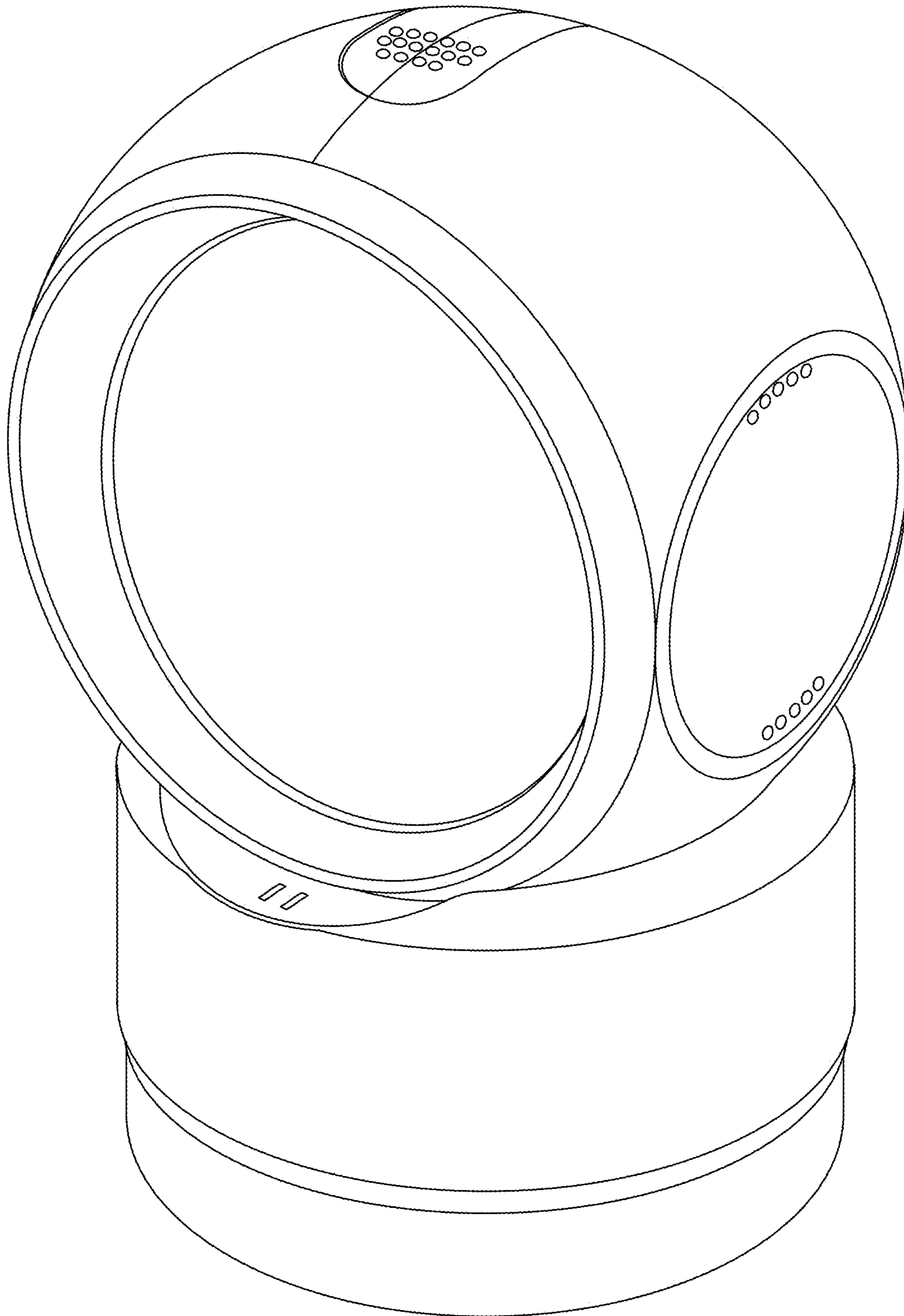


FIG. 11

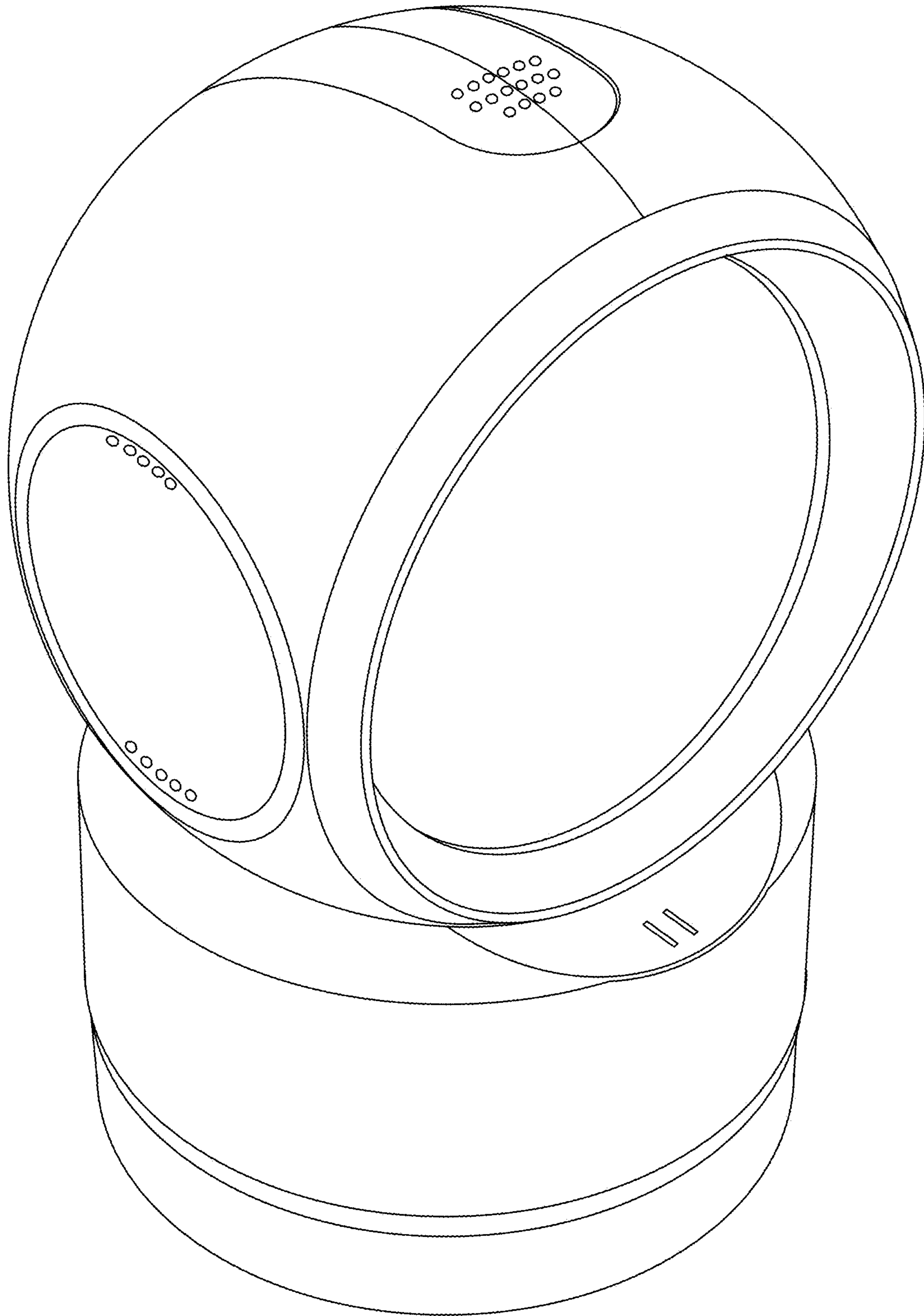


FIG. 12

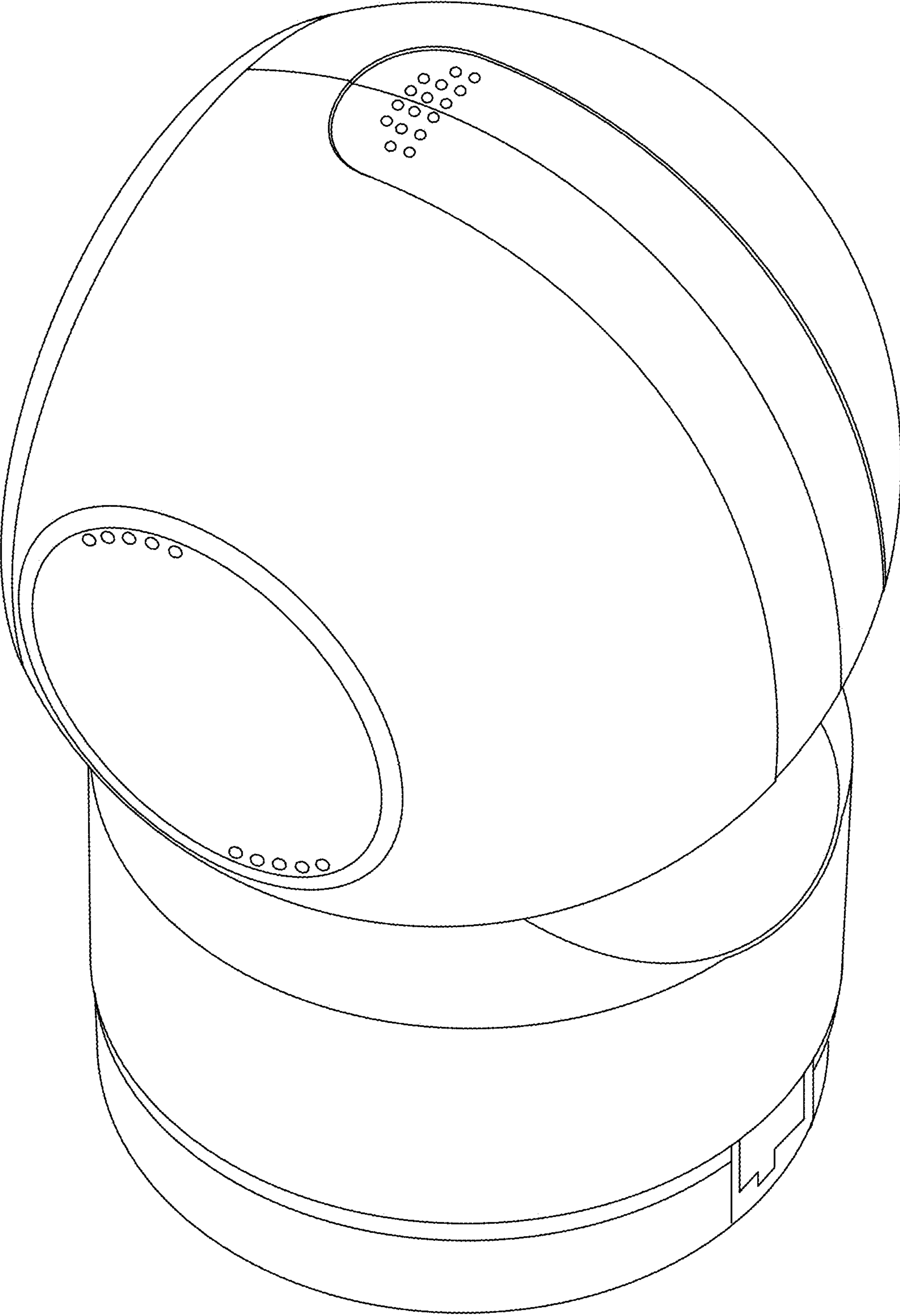


FIG. 13

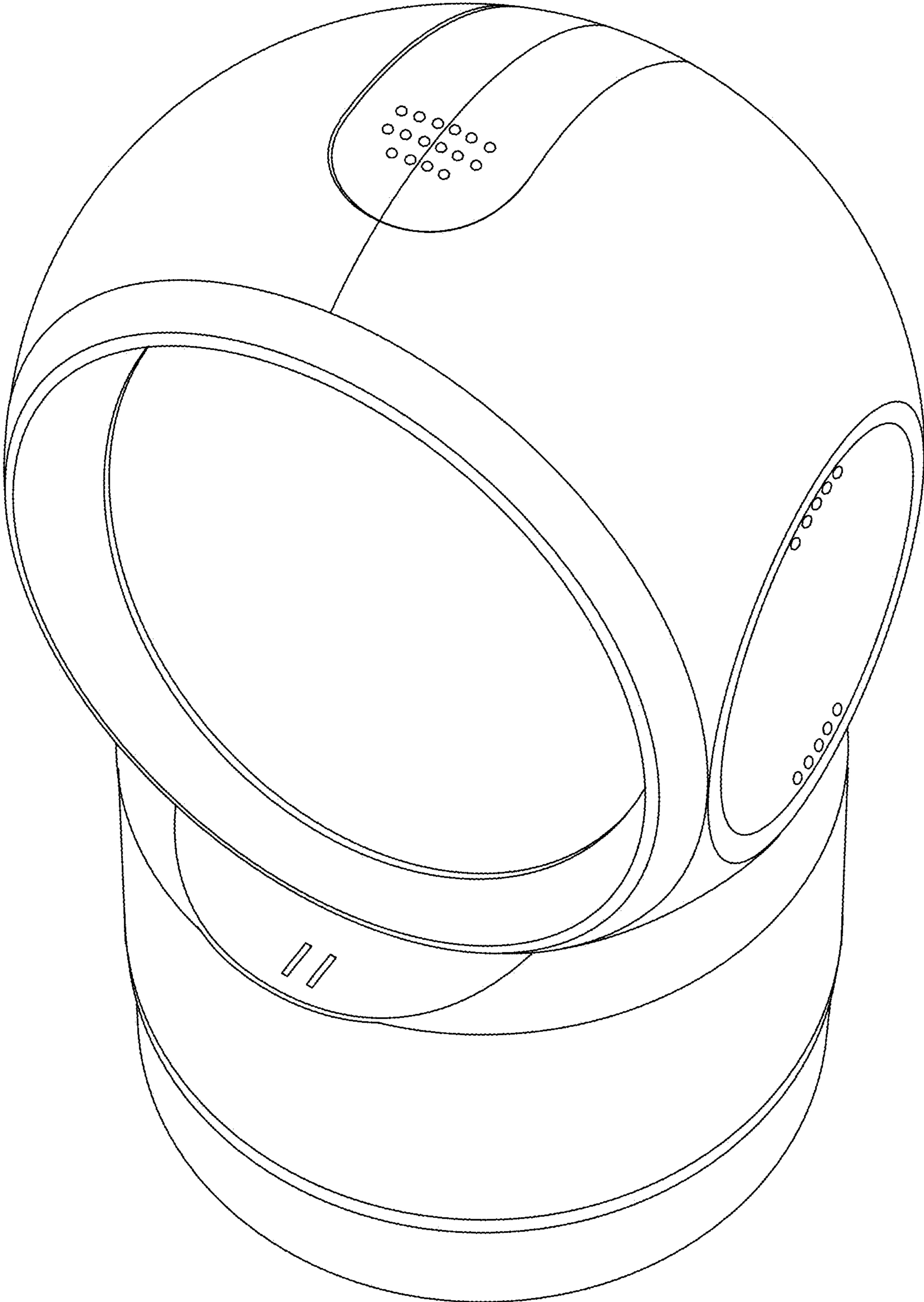


FIG. 14

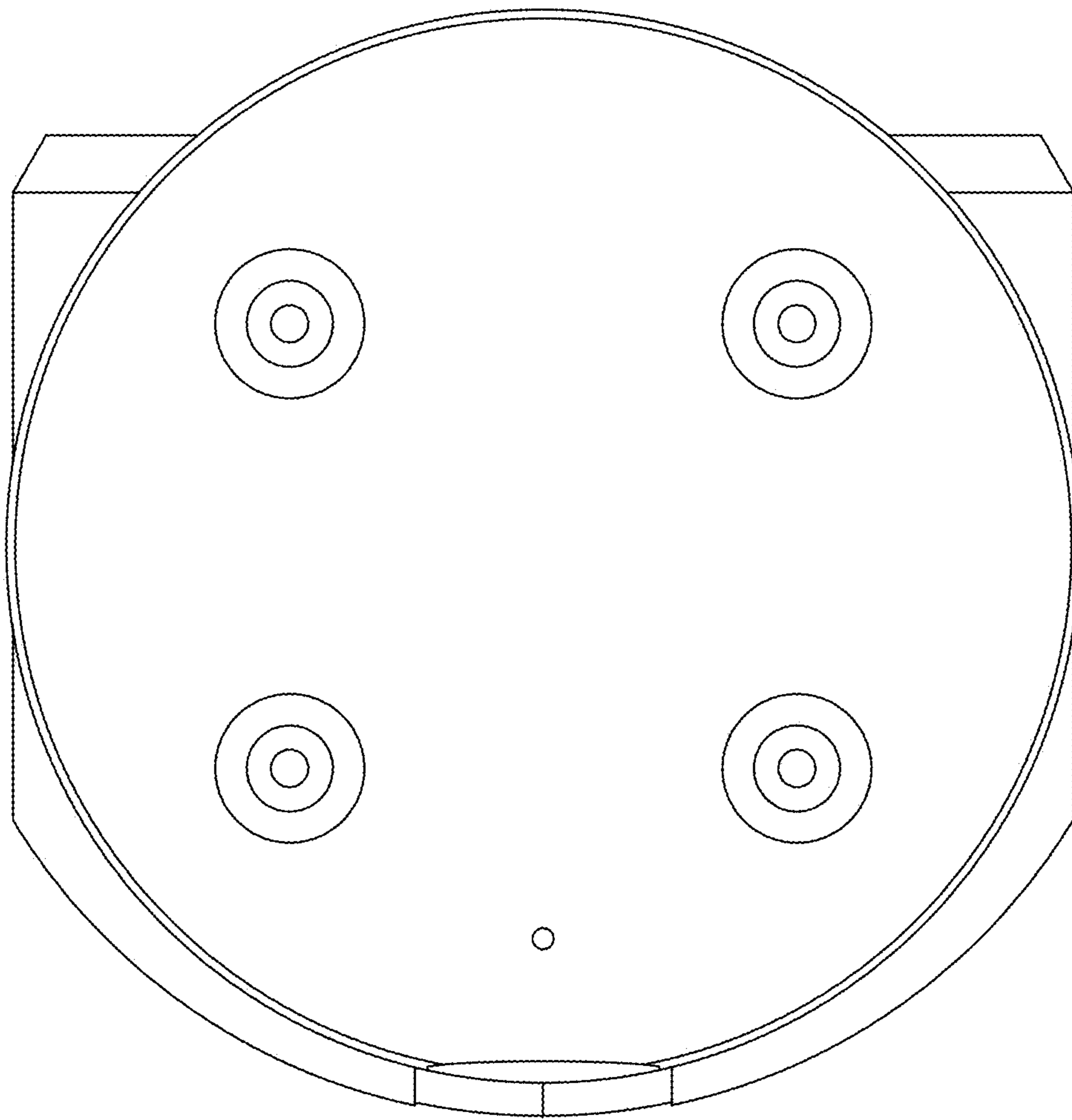


FIG. 15

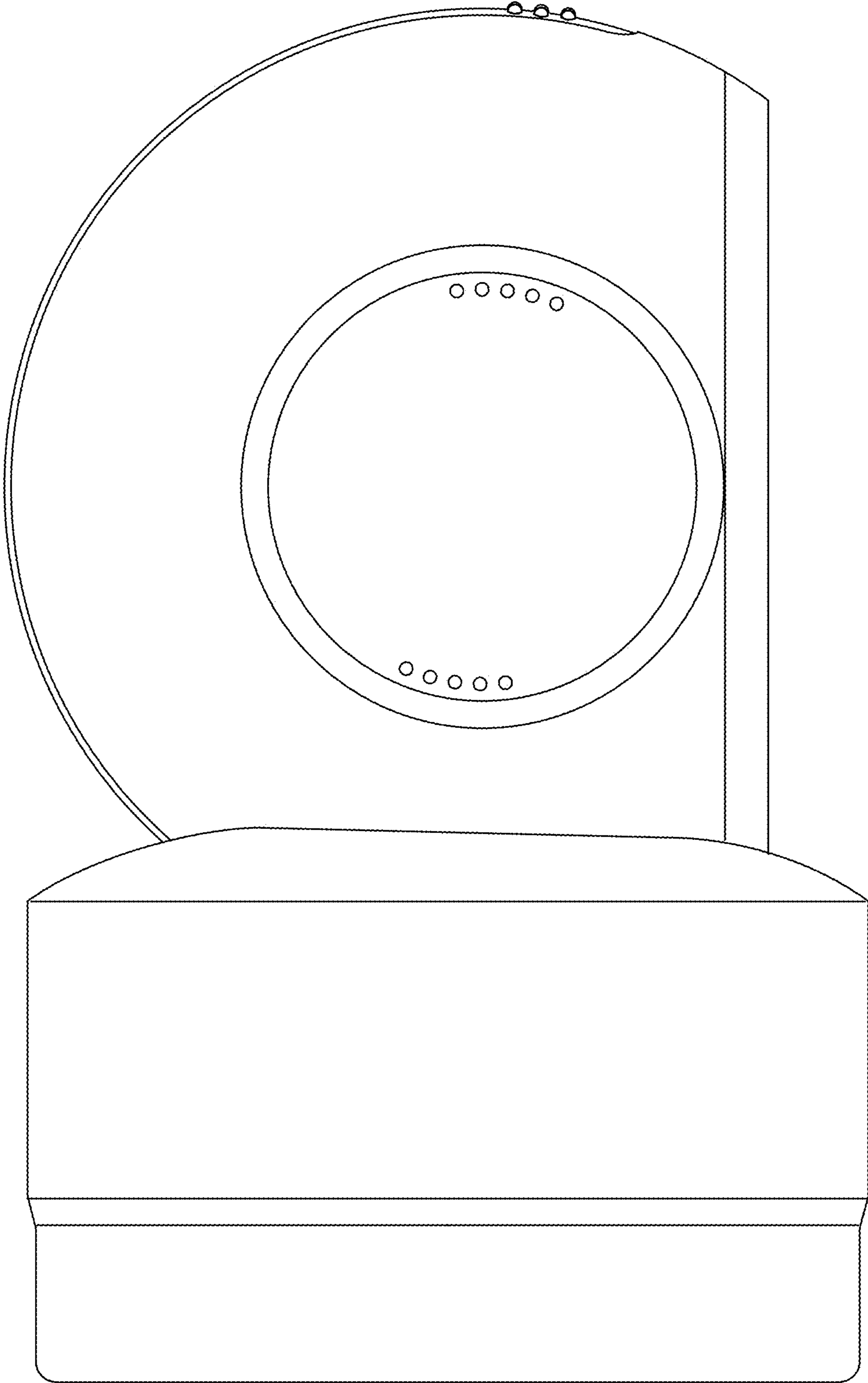


FIG. 16

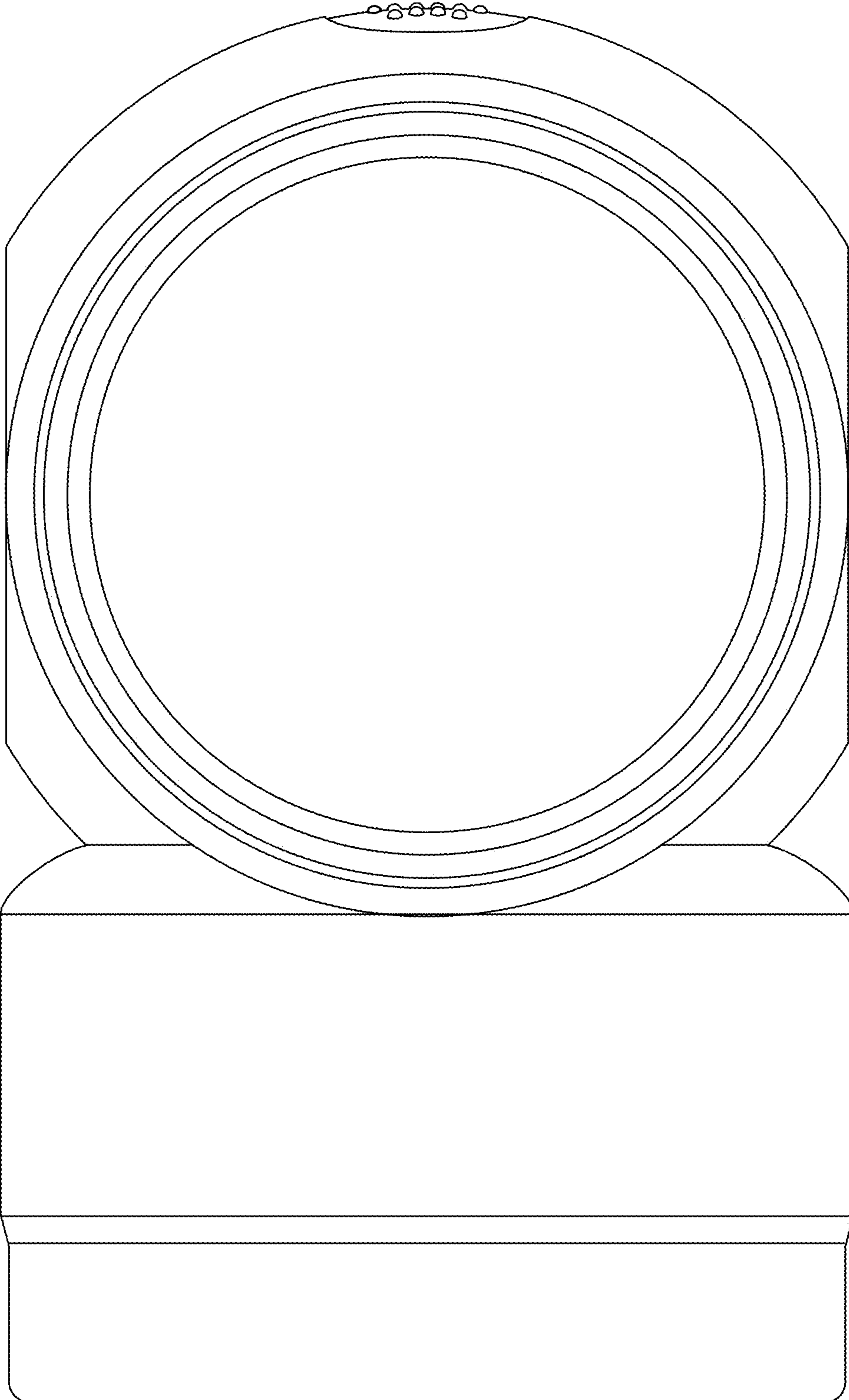


FIG. 17

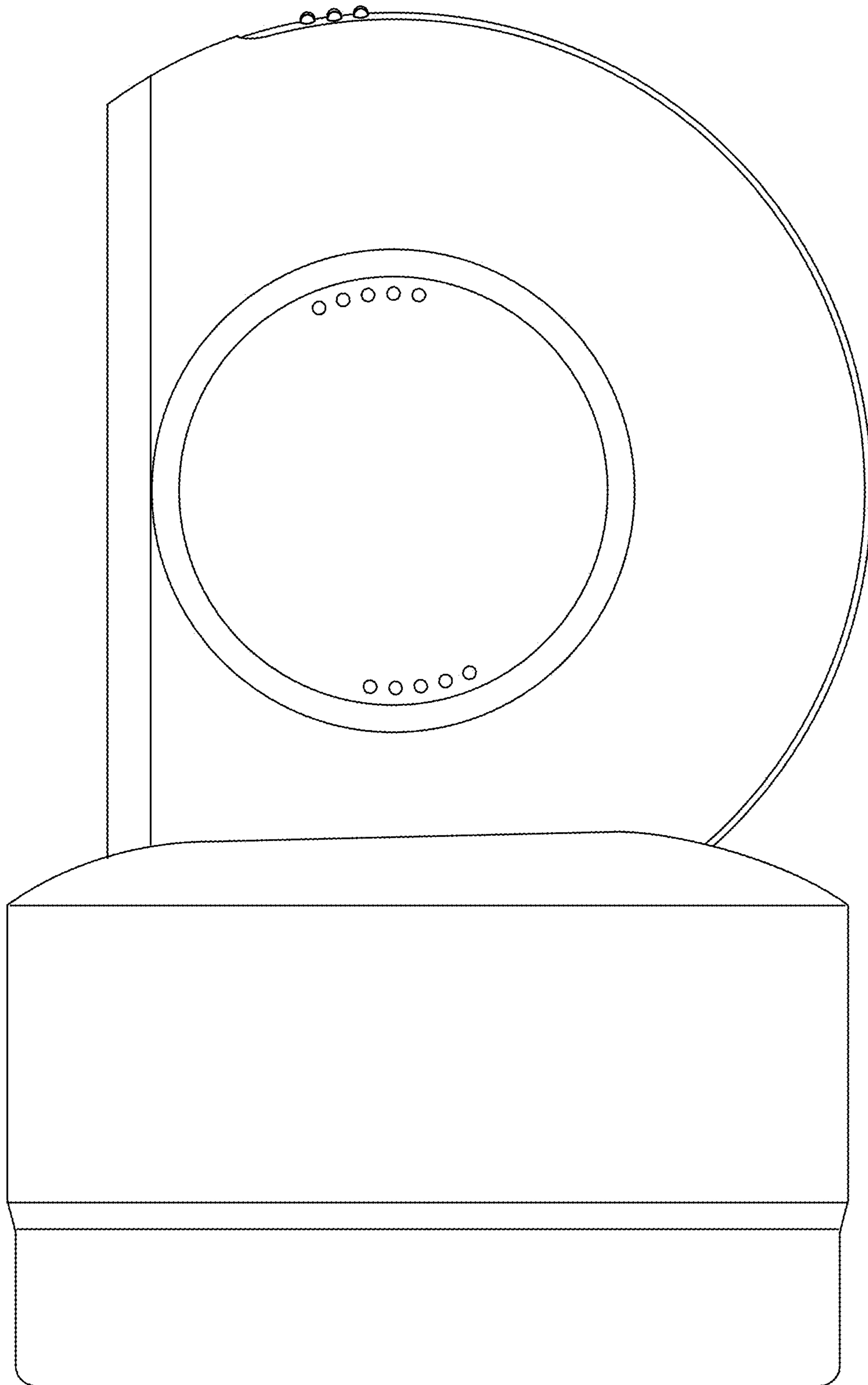


FIG. 18

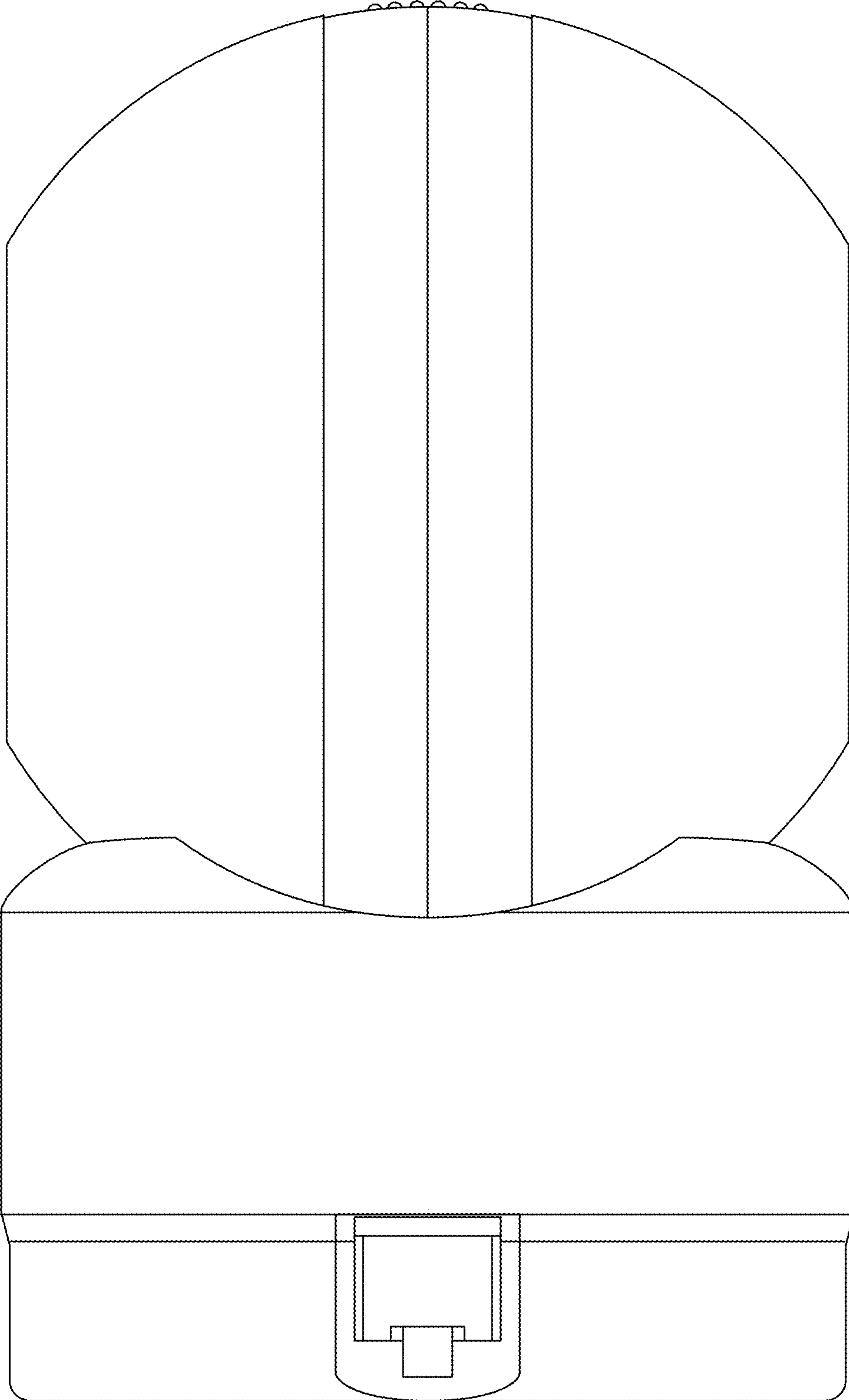


FIG. 19

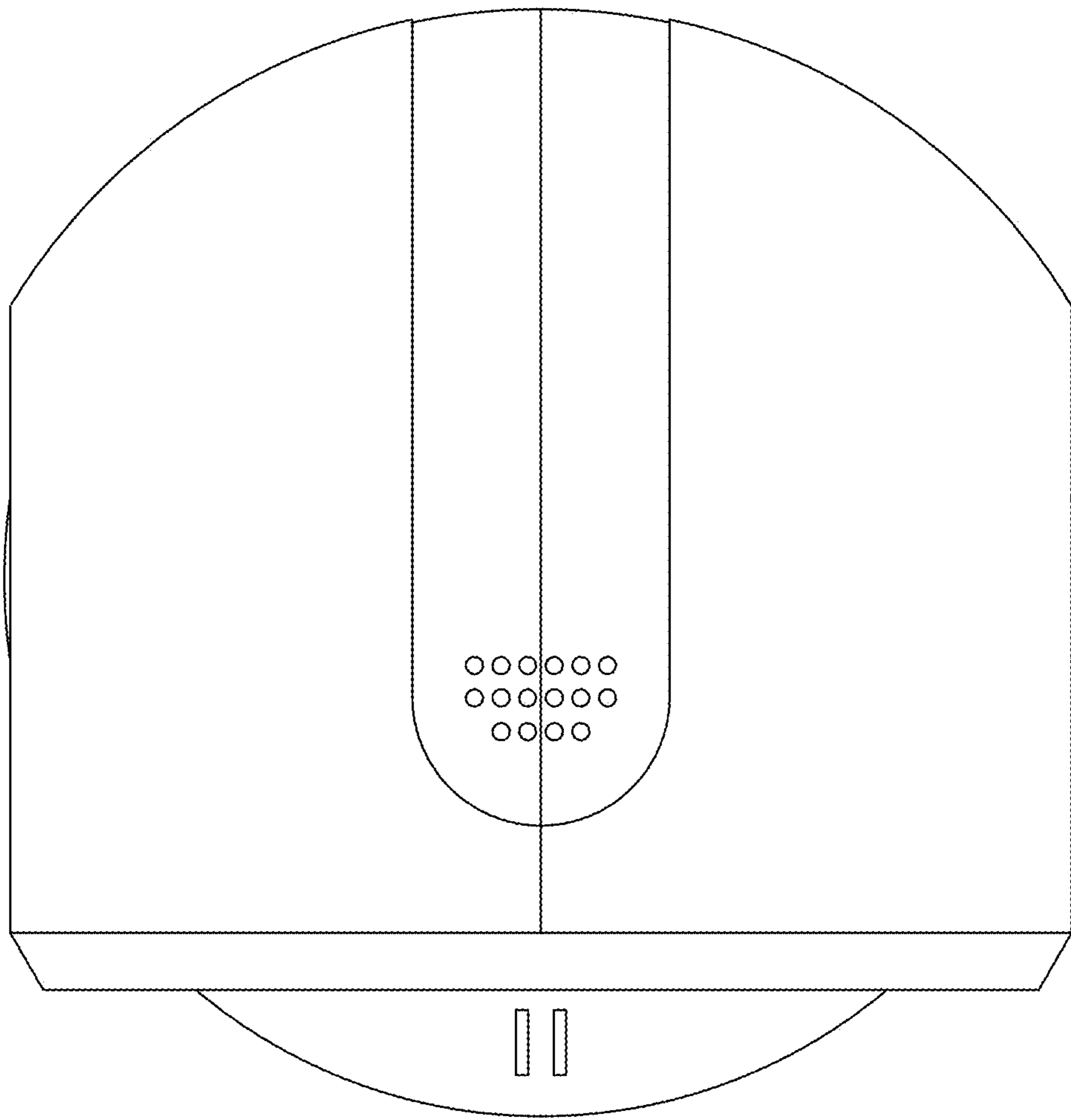


FIG. 20