



US00D918912S

(12) **United States Design Patent** (10) **Patent No.:** **US D918,912 S**
Akana et al. (45) **Date of Patent:** **** May 11, 2021**

(54) **STYLUS**

(71) Applicant: **Apple Inc.**, Cupertino, CA (US)

(72) Inventors: **Jody Akana**, San Francisco, CA (US); **Molly Anderson**, San Francisco, CA (US); **Bartley K. Andre**, Palo Alto, CA (US); **Shota Aoyagi**, San Francisco, CA (US); **Anthony Michael Ashcroft**, San Francisco, CA (US); **Jeremy Bataillou**, San Francisco, CA (US); **Daniel J. Coster**, San Francisco, CA (US); **Daniele De Iuliis**, San Francisco, CA (US); **M. Evans Hankey**, San Francisco, CA (US); **Julian Hoenig**, San Francisco, CA (US); **Richard P. Howarth**, San Francisco, CA (US); **Jonathan P. Ive**, San Francisco, CA (US); **Duncan Robert Kerr**, San Francisco, CA (US); **Matthew Dean Rohrbach**, San Francisco, CA (US); **Peter Russell-Clarke**, San Francisco, CA (US); **Benjamin Andrew Shaffer**, San Jose, CA (US); **Mikael Silvanto**, San Francisco, CA (US); **Christopher J. Stringer**, Woodside, CA (US); **Eugene Antony Whang**, San Francisco, CA (US); **Rico Zörkendörfer**, San Francisco, CA (US)

(73) Assignee: **Apple Inc.**, Cupertino, CA (US)

(**) Term: **15 Years**

(21) Appl. No.: **29/698,903**

(22) Filed: **Jul. 22, 2019**

Related U.S. Application Data

(63) Continuation of application No. 29/656,741, filed on Jul. 16, 2018, now Pat. No. Des. 860,205, which is a (Continued)

(51) **LOC (13) Cl.** **14-02**

(52) **U.S. Cl.**
USPC **D14/411**

(58) **Field of Classification Search**
USPC D14/372, 496, 432, 371, 125, 126, 129, D14/299, 411; D16/300-342; 351/158, (Continued)

(56) **References Cited**

U.S. PATENT DOCUMENTS

3,807,882 A 4/1974 Munz
4,712,937 A 12/1987 Schmidt et al.
(Continued)

OTHER PUBLICATIONS

Adonit Styluses, <<http://www.adonit.net/jot/>>, available at least as early as Sep. 4, 2015.

Primary Examiner — Austin Murphy
(74) *Attorney, Agent, or Firm* — Saidman DesignLaw Group, LLC

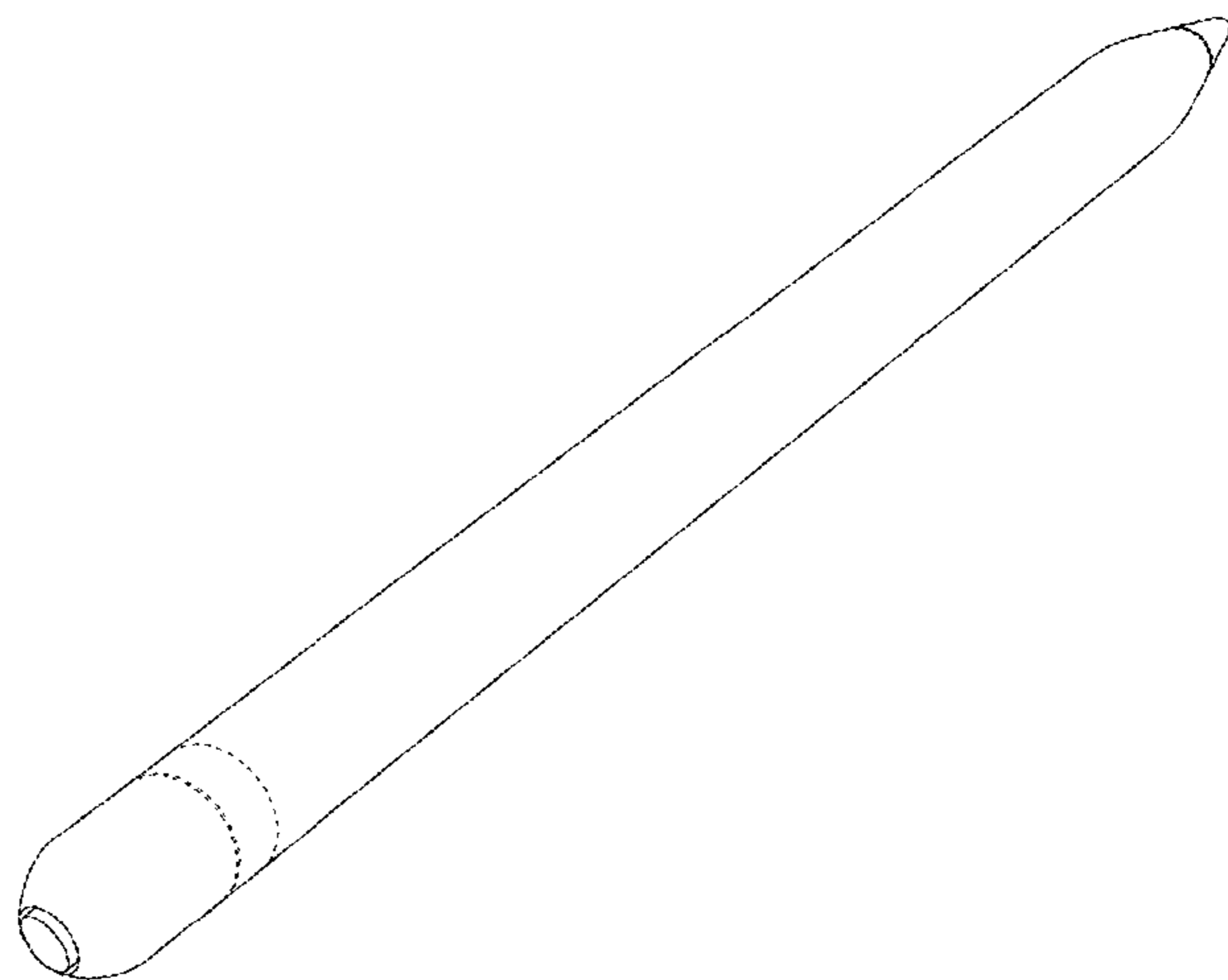
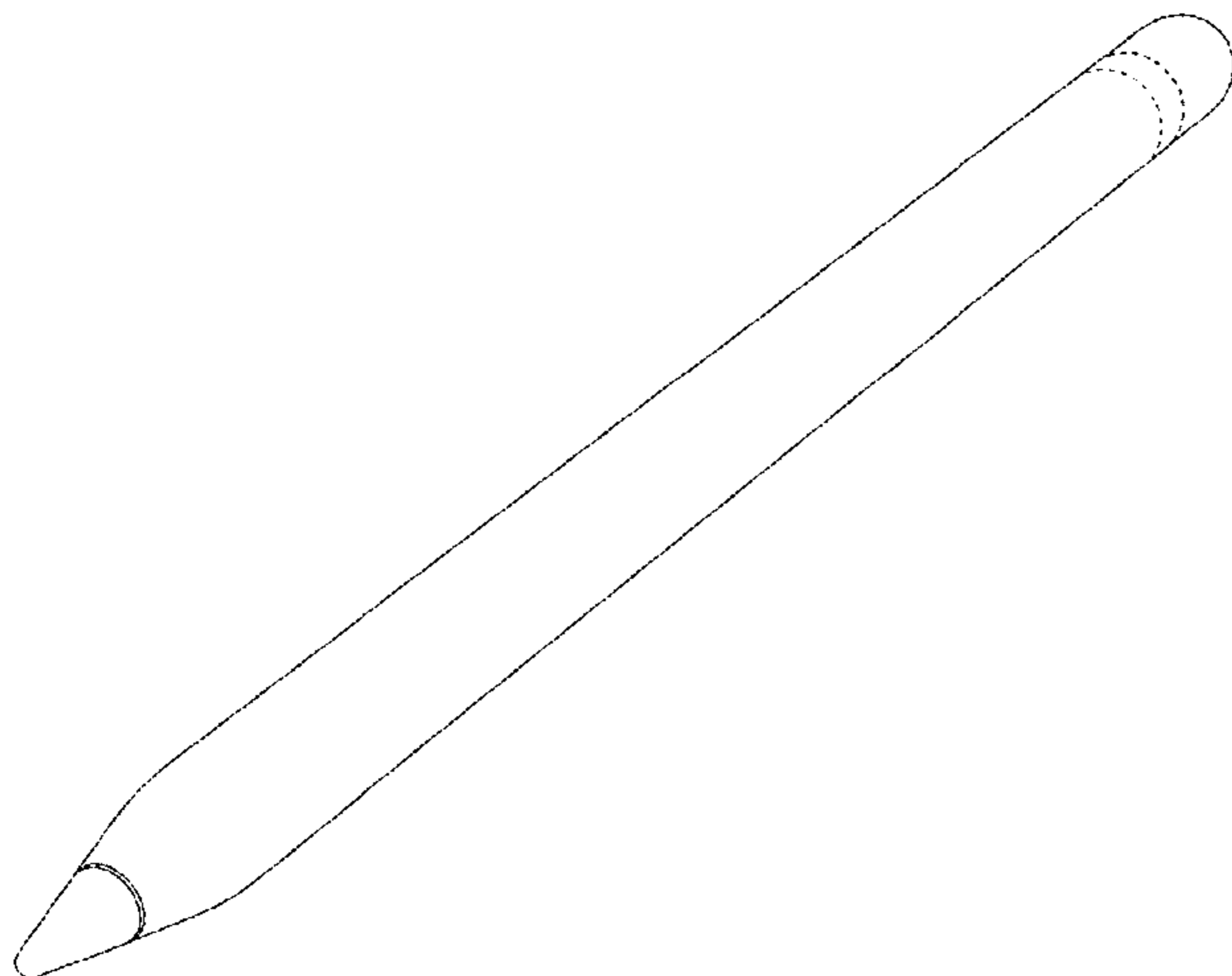
(57) **CLAIM**

The ornamental design for a stylus, as shown and described.

DESCRIPTION

FIG. 1 is a perspective view of a stylus showing our new design;
FIG. 2 is another perspective view thereof;
FIG. 3 is a top view thereof;
FIG. 4 is a front view thereof; and,
FIG. 5 is a rear view thereof.
The dashed broken lines represent structure or features which form no part of the claimed design.

1 Claim, 2 Drawing Sheets



Related U.S. Application Data

continuation of application No. 29/609,756, filed on Jul. 5, 2017, now Pat. No. Des. 826,231, which is a continuation of application No. 29/577,947, filed on Sep. 16, 2016, now Pat. No. Des. 796,511, which is a continuation of application No. 29/538,660, filed on Sep. 4, 2015, now Pat. No. Des. 771,049.

(58) **Field of Classification Search**

USPC 351/153, 144; 345/7-9, 905; 455/344; 348/115, 53, 121, 739
 CPC G02B 27/017; G06F 3/016; G06F 3/033; G06F 3/0317; G06F 3/03545; G06F 3/041; G06K 9/222

See application file for complete search history.

(56) **References Cited**

U.S. PATENT DOCUMENTS

D310,684 S	9/1990	Itoh	
D317,625 S	6/1991	Itoh	
D340,069 S	10/1993	Garry	
D352,703 S	11/1994	Mitcham et al.	
D368,079 S *	3/1996	Lye	D14/411
5,747,748 A	5/1998	Zigler	
D487,746 S	3/2004	Fitch	
D487,896 S	3/2004	Tanner, Jr.	
D544,484 S	6/2007	Hussaini	
D573,644 S	7/2008	Bhavnani	
D610,145 S	2/2010	Smith	
D614,622 S	4/2010	Nakata	
D614,623 S	4/2010	Crisp et al.	
D617,328 S	6/2010	Nakata	
D669,898 S	10/2012	Nakata	
D670,700 S	11/2012	Halsinger et al.	
8,368,670 B2	2/2013	Liang	
D680,114 S	4/2013	Hashi	
D681,037 S	4/2013	Hashi	
D681,038 S	4/2013	Tomohiro	
D682,833 S	5/2013	Paschke et al.	

D697,915 S	1/2014	Lien	
D699,722 S	2/2014	Sugino et al.	
D699,723 S	2/2014	Nishizawa	
D705,780 S	5/2014	Nishizawa	
D710,854 S	8/2014	Huang	
D717,301 S	11/2014	Groene et al.	
D717,302 S	11/2014	DeSerio	
D717,798 S	11/2014	Groene et al.	
D720,349 S	12/2014	Comerford	
D722,600 S	2/2015	Dowd et al.	
D724,086 S	3/2015	Schoenert et al.	
D724,087 S	3/2015	Sakatsume	
D727,325 S	4/2015	Spector	
D732,035 S	6/2015	Akana et al.	
D744,486 S	12/2015	Arai	
D750,630 S	3/2016	Nishizawa	
D751,560 S	3/2016	Akana et al.	
9,298,285 B2	3/2016	Mohindra et al.	
D754,661 S	4/2016	Nishizawa	
D770,454 S	11/2016	Lee et al.	
D770,456 S	11/2016	Akana et al.	
D771,049 S *	11/2016	Akana	D14/411
D771,630 S *	11/2016	Akana	D14/411
D772,230 S	11/2016	Lee et al.	
D772,876 S	11/2016	Akana et al.	
D773,462 S *	12/2016	Mitchell	D14/411
9,575,573 B2	2/2017	Chang	
D781,859 S *	3/2017	Magi	D14/411
D783,022 S	4/2017	Sirota et al.	
D786,253 S	5/2017	Akana et al.	
D788,109 S	5/2017	Kuan-her et al.	
D789,370 S *	6/2017	Akana	D14/411
D791,770 S	7/2017	Akana et al.	
D796,511 S	9/2017	Akana et al.	
D796,512 S	9/2017	Akana et al.	
D799,488 S	10/2017	Nishizawa	
D811,401 S *	2/2018	Lehman	D14/411
10,007,364 B2	6/2018	Zimmerman et al.	
D826,231 S	8/2018	Akana et al.	
D832,840 S *	11/2018	Shi	D14/411
D851,643 S *	6/2019	Nishizawa	D14/411
D896,810 S *	9/2020	Akana	D14/411

* cited by examiner

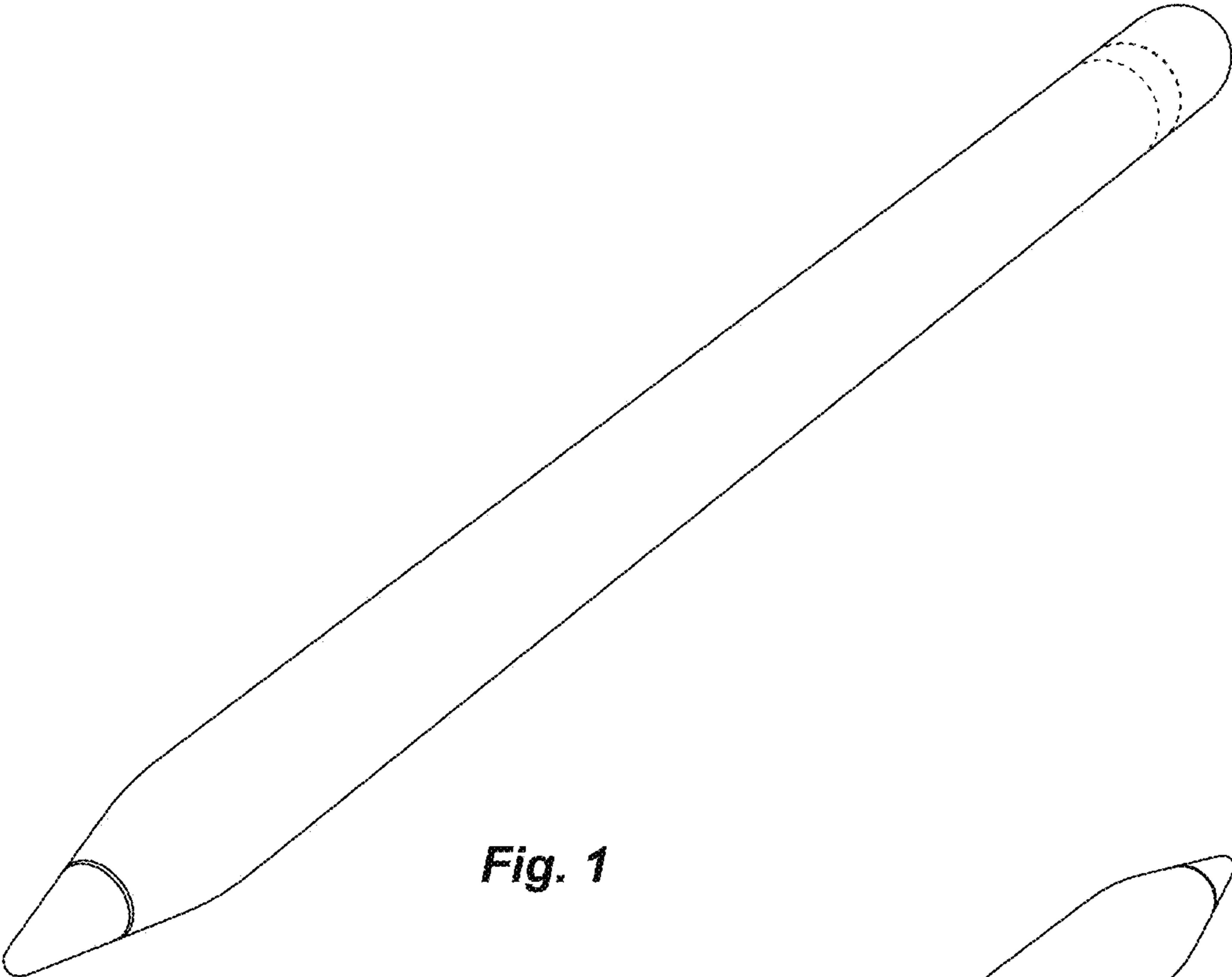


Fig. 1

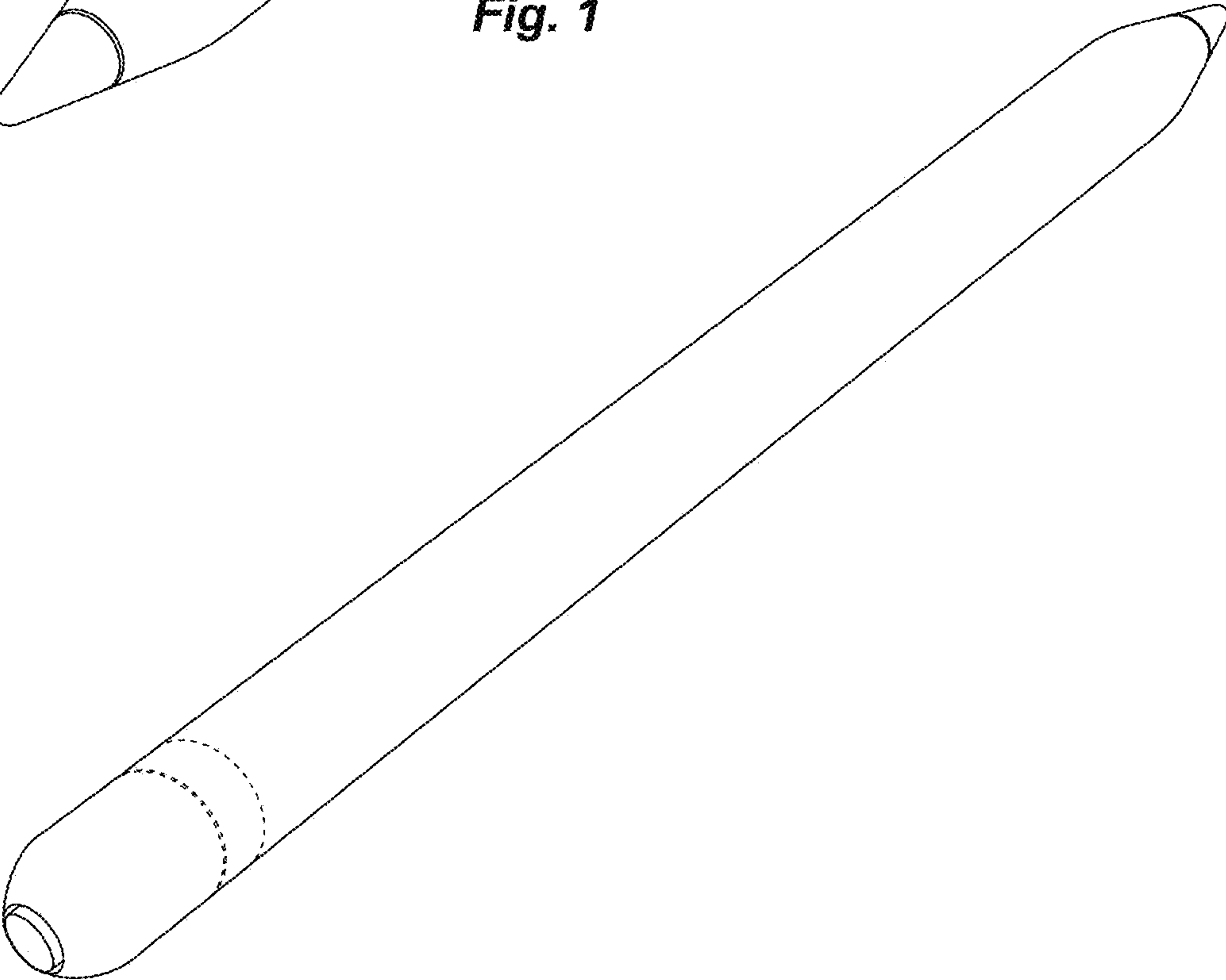


Fig. 2

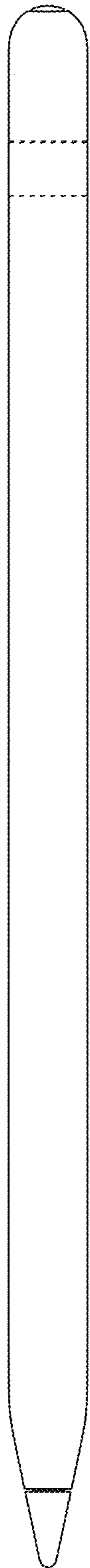


Fig. 3

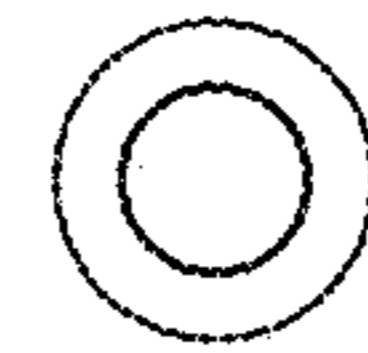


Fig. 4

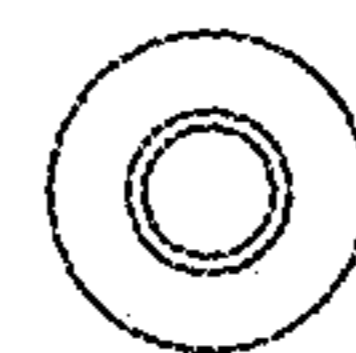


Fig. 5