



US00D918911S

(12) **United States Design Patent** (10) **Patent No.:** **US D918,911 S**
Cooper et al. (45) **Date of Patent:** **** May 11, 2021**

(54) **COMPUTER POINTING DEVICE**

(56) **References Cited**

(71) Applicants: **The United States Government as represented by the Department of Veterans Affairs, Washington, DC (US); University of Pittsburgh—Of The Commonwealth System of Higher Education, Pittsburgh, PA (US)**

U.S. PATENT DOCUMENTS

| | | | |
|--------------|--------|------------------|---------|
| D288,930 S | 3/1987 | Barbera et al. | |
| D328,596 S | 8/1992 | Manabe | |
| D338,883 S | 8/1993 | Melzer et al. | |
| D357,238 S | 4/1995 | Zirinsky | |
| D359,955 S | 7/1995 | Barrett | |
| D393,837 S * | 4/1998 | Umetsu | D14/384 |
| 6,064,370 A | 5/2000 | Wang et al. | |
| D427,598 S | 7/2000 | Ciesko et al. | |
| D441,362 S | 5/2001 | Sevougian | |
| D442,958 S | 5/2001 | Funakoshi et al. | |
| D487,266 S * | 3/2004 | Morimiya | D14/384 |

(72) Inventors: **Rory A. Cooper, Gibsonsia, PA (US); Garrett Grindle, Pittsburgh, PA (US); Zak Anzelone, Blairsville, PA (US); Aaron Anderson, Pittsburgh, PA (US)**

(Continued)

(73) Assignees: **The United States Government as represented by the Department of Veterans Affairs, Washington, DC (US); University of Pittsburgh—Of The Commonwealth System of Higher Education, Pittsburgh, PA (US)**

Primary Examiner — Austin Murphy

(74) *Attorney, Agent, or Firm* — Ballard Spahr LLP

(**) Term: **15 Years**

(57) **CLAIM**

We claim the ornamental design for a computer pointing device, as shown and described.

(21) Appl. No.: **29/767,650**

DESCRIPTION

(22) Filed: **Jan. 25, 2021**

Related U.S. Application Data

(60) Continuation of application No. 29/744,234, filed on Jul. 28, 2020, now Pat. No. Des. 911,338, which is a division of application No. 29/685,637, filed on Mar. 29, 2019, now Pat. No. Des. 894,899.

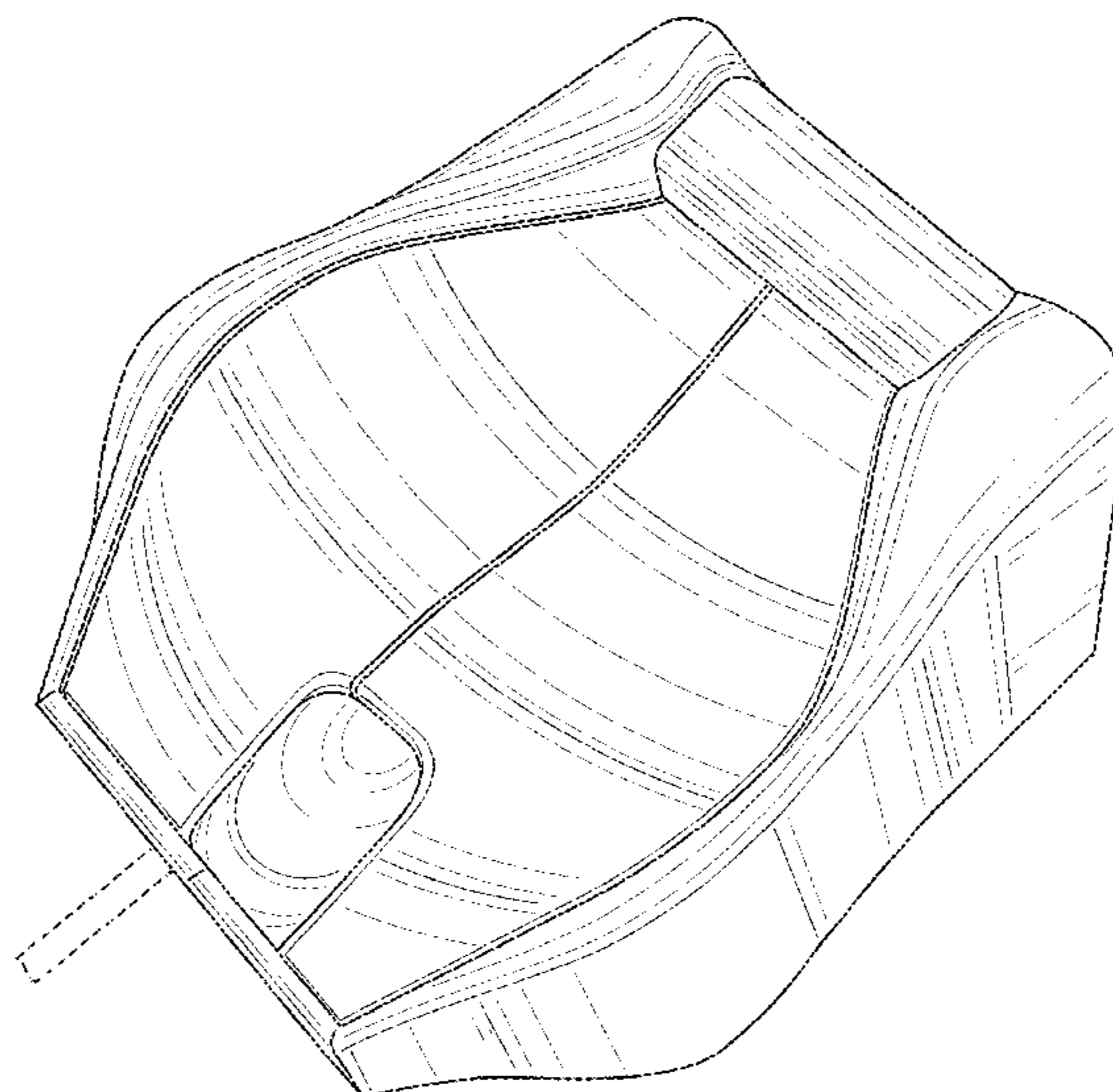
FIG. 1 is an isometric view of an embodiment of our design for a computer pointing device;
FIG. 2 is a front view of the design of the computer pointing device shown in FIG. 1;
FIG. 3 is a rear view of the design of the computer pointing device shown in FIG. 1;
FIG. 4 is a right side view of the design of the computer pointing device shown in FIG. 1, the left side view being a mirror image thereof;
FIG. 5 is a top view of the design of the computer pointing device shown in FIG. 1; and,
FIG. 6 is a bottom view of the design of the computer pointing device shown in FIG. 1.
The broken lines depict portions of the computer pointing device that form no part of the claimed design.

(51) **LOC (13) Cl.** **14-02**

(52) **U.S. Cl.**
USPC **D14/402**

(58) **Field of Classification Search**
USPC D14/402–411, 356, 388, 389, 383–385, D14/417, 426; 345/156–167; 463/36–38; 358/471, 473; 273/148 B
CPC G06F 3/03543; G06F 2203/0333; G06F 3/039; G06F 3/038; G06F 2203/0384
See application file for complete search history.

1 Claim, 6 Drawing Sheets



(56)

References Cited

U.S. PATENT DOCUMENTS

| | | | |
|--------------|---------|----------------|---------|
| D495,711 S | 9/2004 | Willat et al. | |
| D514,105 S | 1/2006 | Ohta et al. | |
| D518,050 S * | 3/2006 | Wood | D14/384 |
| D542,291 S * | 5/2007 | Kang | D14/384 |
| D584,730 S * | 1/2009 | Lin | D14/383 |
| D593,559 S * | 6/2009 | Lin | D14/384 |
| D791,133 S * | 7/2017 | Brownlee | D14/384 |
| D801,971 S | 11/2017 | Howell et al. | |
| D801,972 S | 11/2017 | Howell et al. | |
| D814,548 S * | 4/2018 | Howell | D16/232 |
| D890,753 S | 7/2020 | Iasso et al. | |
| D894,899 S * | 9/2020 | Cooper | D14/402 |
| D911,338 S * | 2/2021 | Cooper | D14/402 |

* cited by examiner

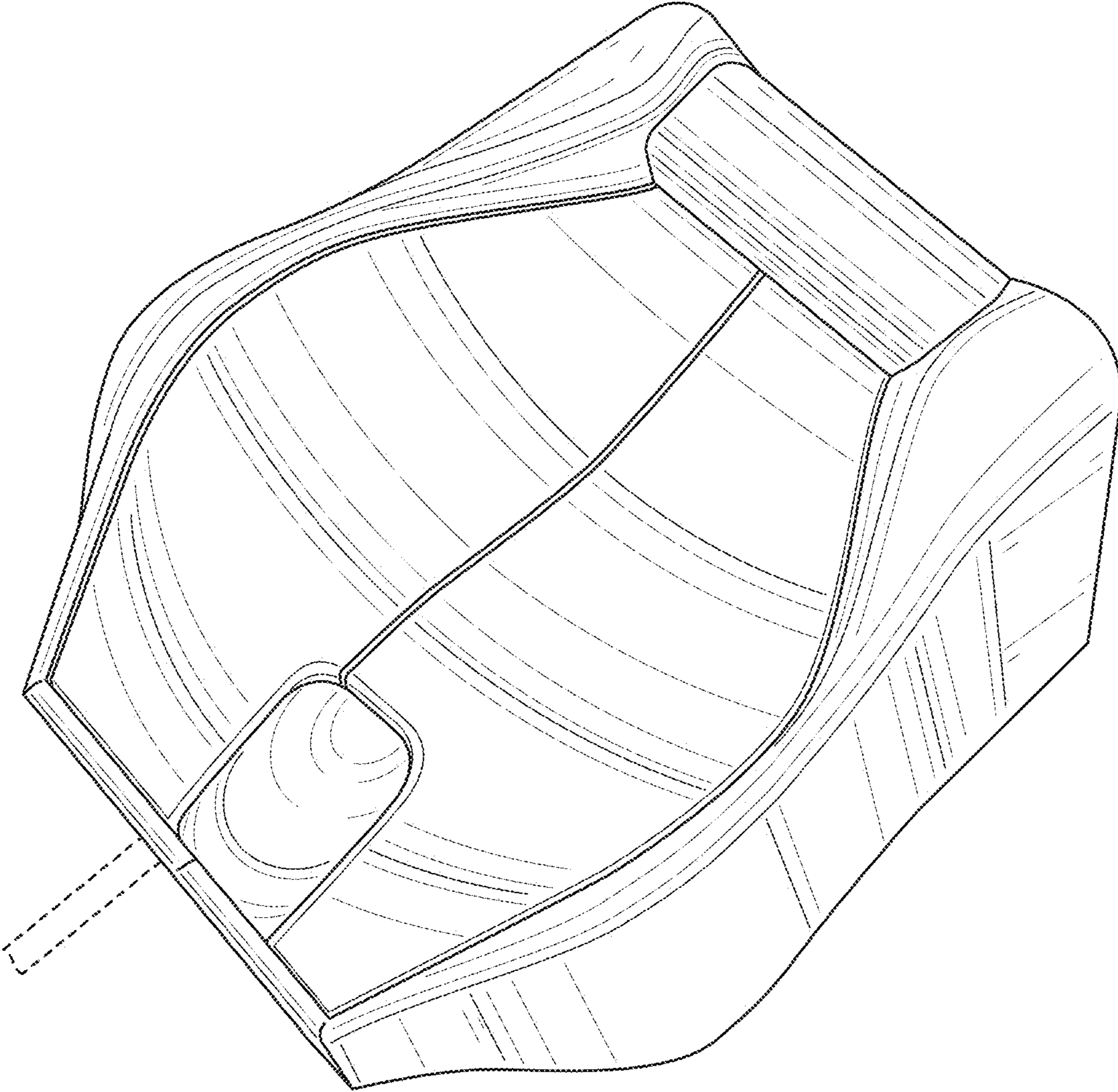


FIG. 1

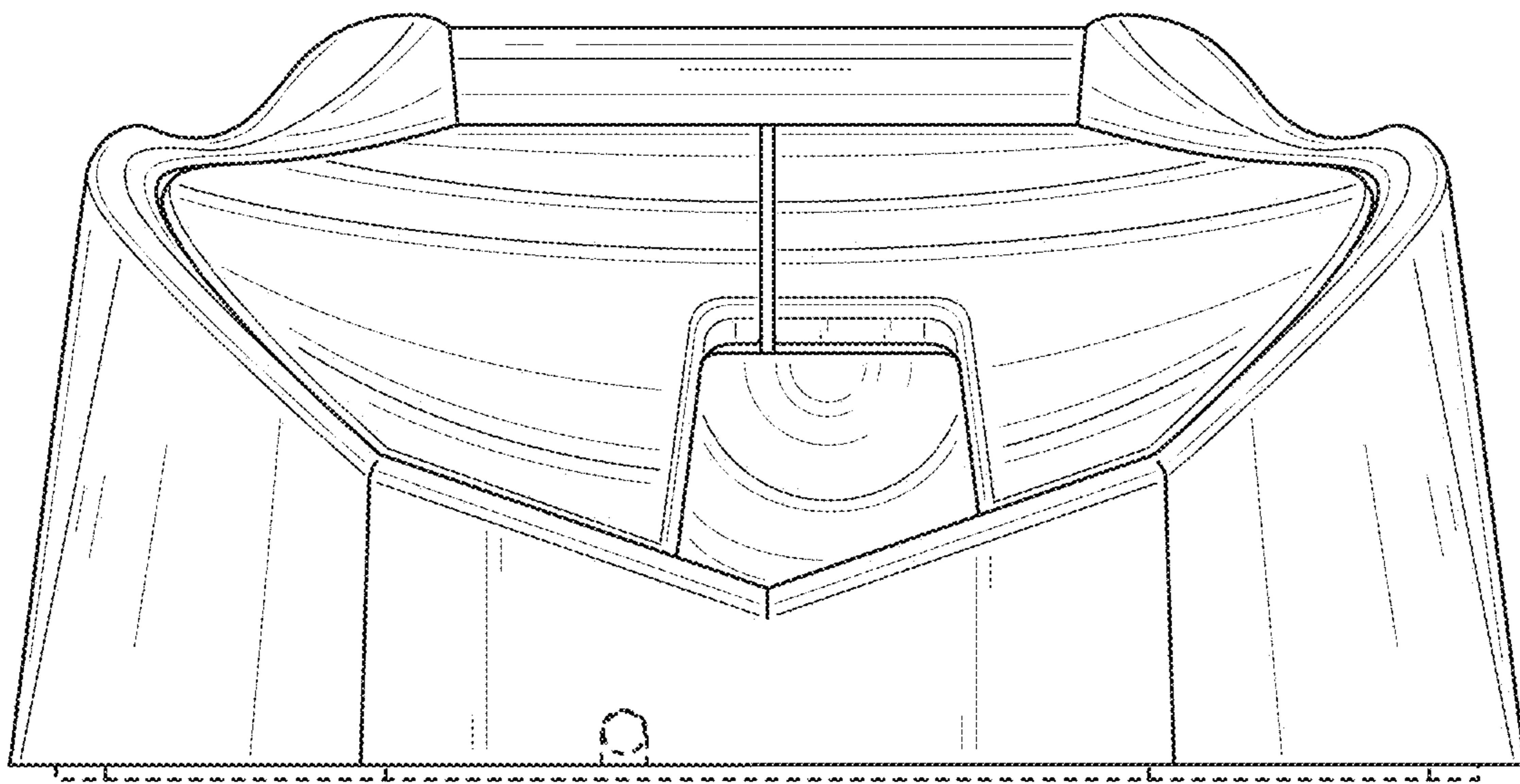


FIG. 2

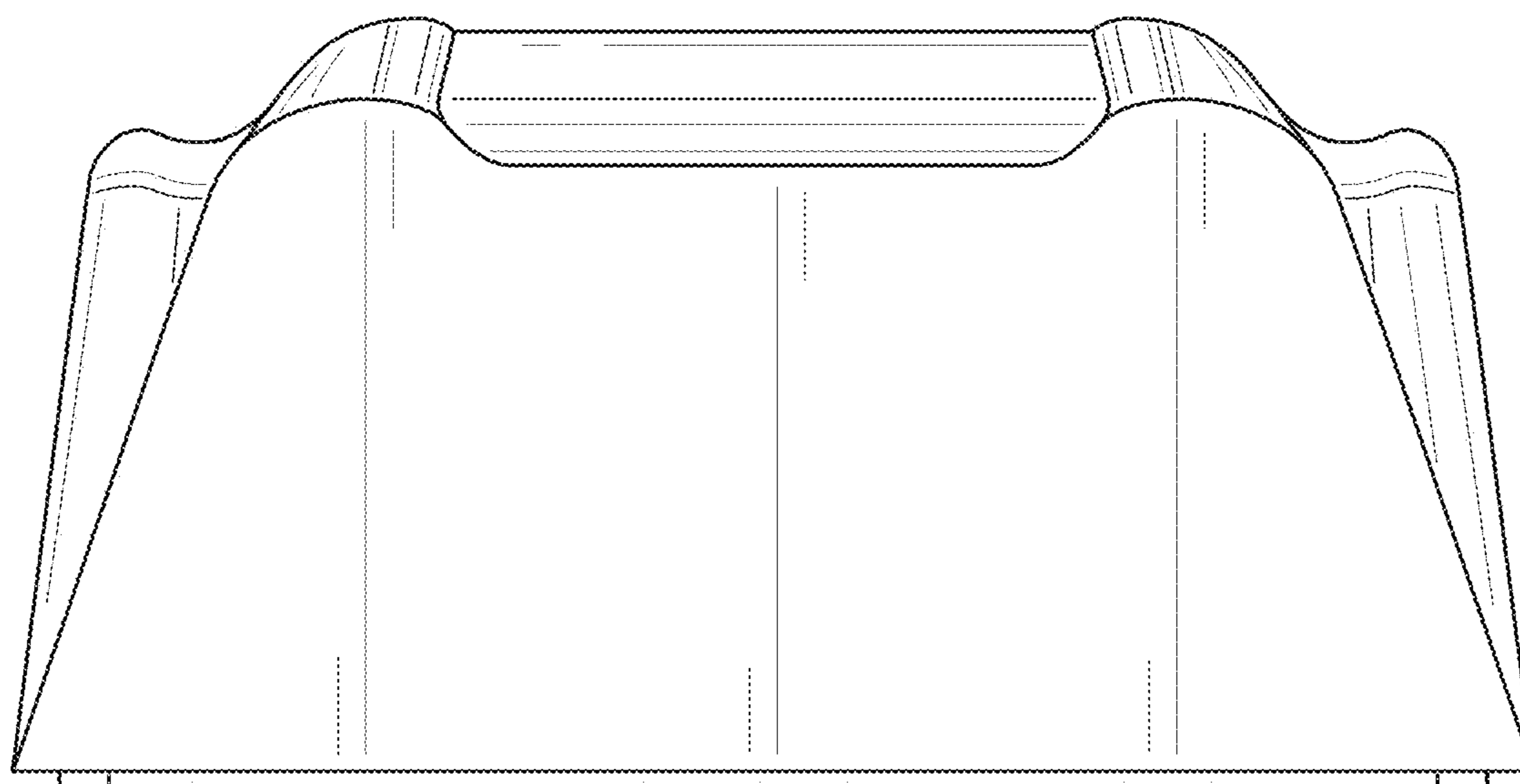


FIG. 3

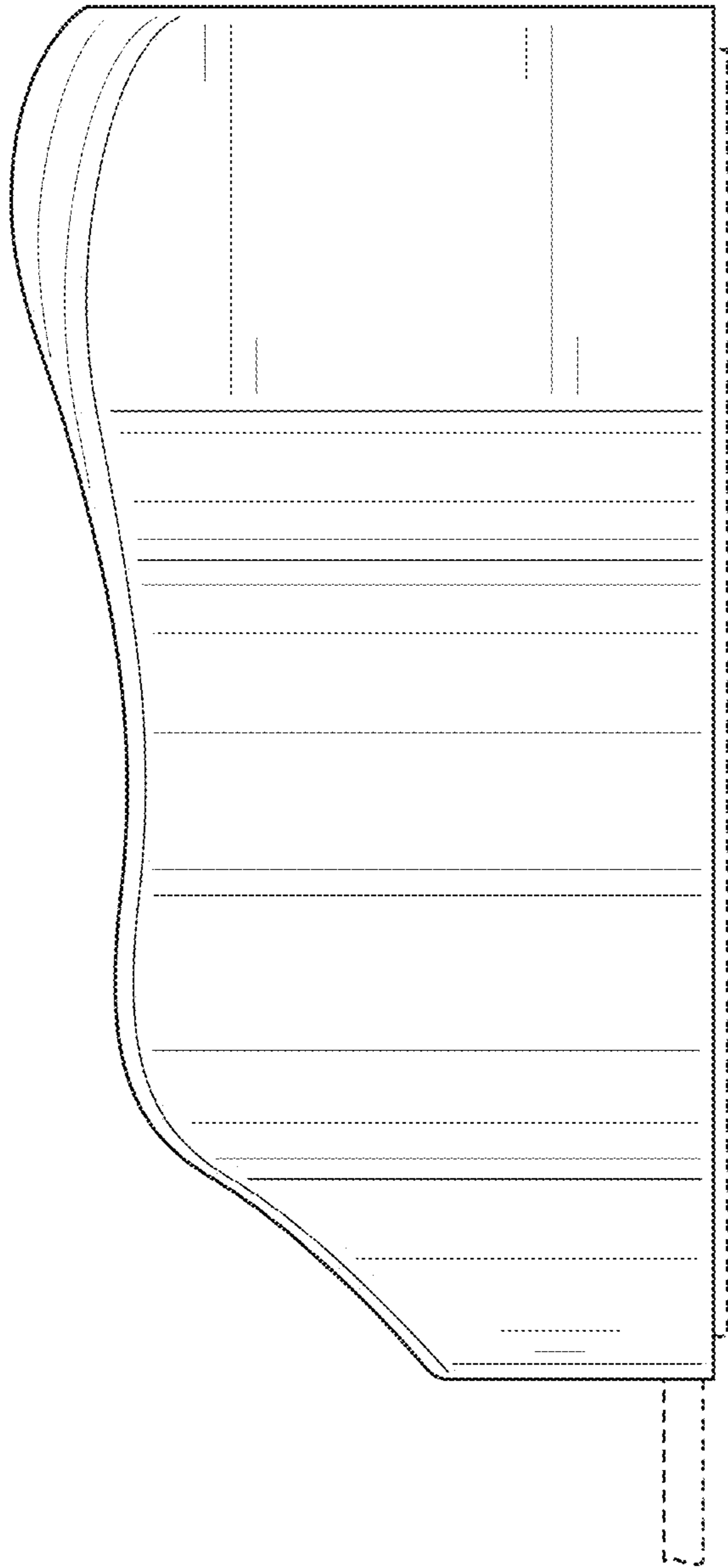


FIG. 4

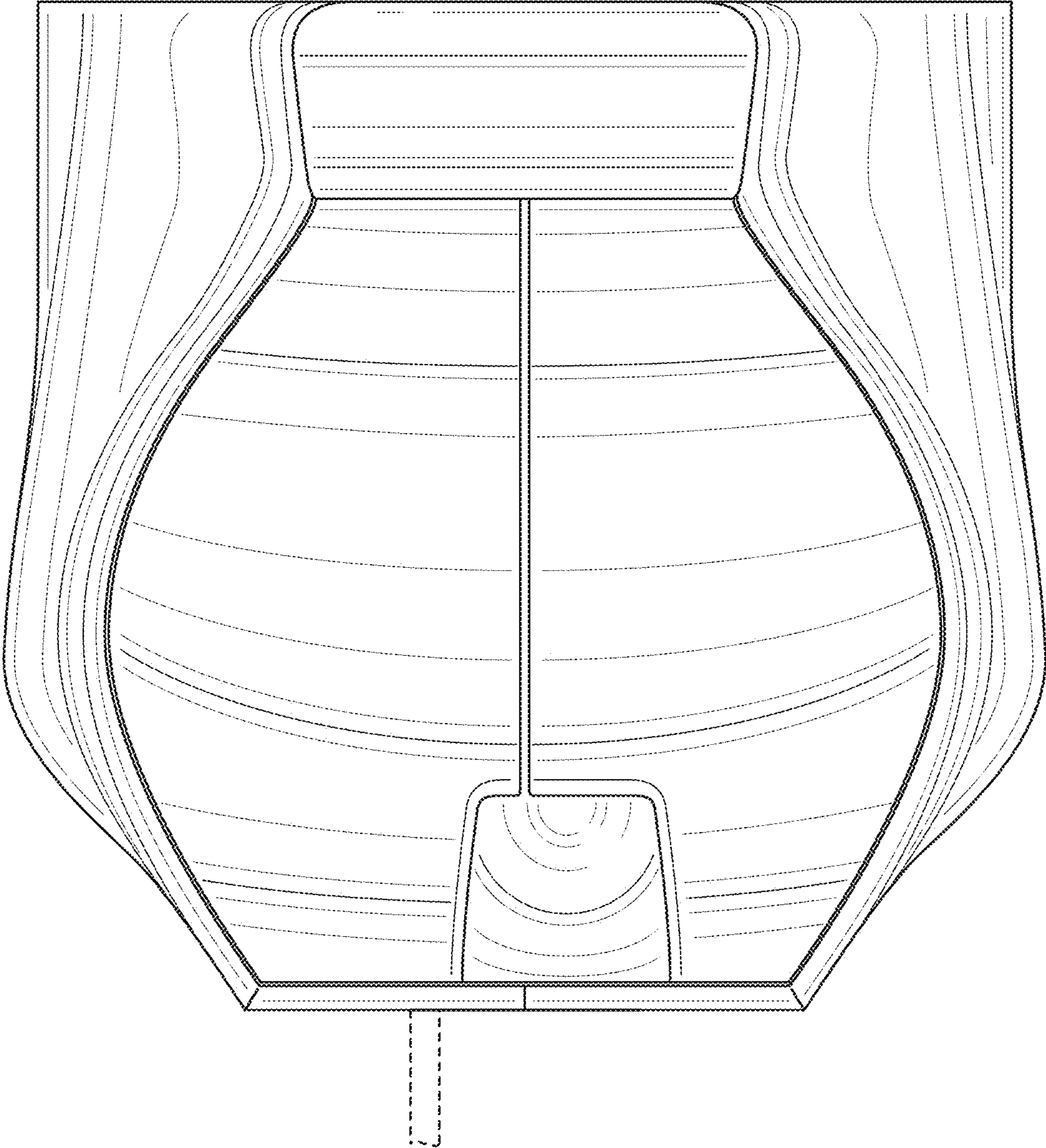


FIG. 5

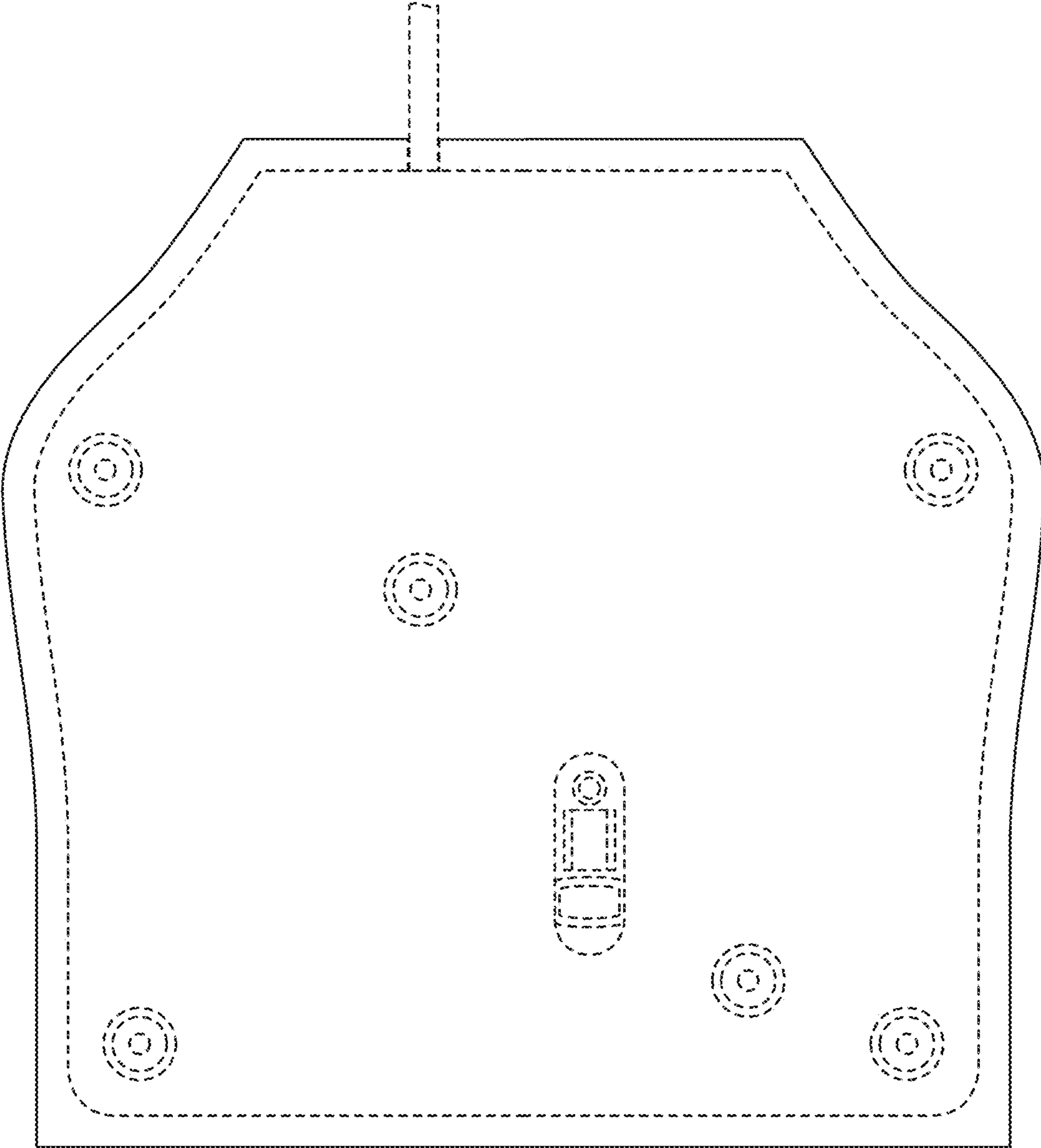


FIG. 6