



US00D918909S

(12) **United States Design Patent**
Rotsaert

(10) **Patent No.:** **US D918,909 S**

(45) **Date of Patent:** **** May 11, 2021**

(54) **CARD READER DEVICES**

(71) Applicant: **Ingenico Inc.**, Alpharetta, GA (US)

(72) Inventor: **Christopher Rotsaert**, Boston, MA (US)

(73) Assignee: **Ingenico Inc.**, Alpharetta, GA (US)

(**) Term: **15 Years**

(21) Appl. No.: **29/657,969**

(22) Filed: **Jul. 26, 2018**

(51) **LOC (13) Cl.** **14-02**

(52) **U.S. Cl.**
USPC **D14/385**

(58) **Field of Classification Search**

USPC D18/4.4, 4.5, 4.6, 12, 12.1, 12.3;
D14/383, 384, 385, 386, 378, 420, 427,
D14/432-439, 447, 453; D13/107, 108,
D13/133, 146, 147, 152, 154, 156;
235/441, 451, 492, 380, 439, 375
CPC G06K 19/07749; G06K 19/0723; G06K
19/041; G06K 19/07758; G06K 19/0775;
G06K 19/07783; G06K 19/07794; G06K
19/06046; G06K 19/07722; G06K
19/07773; G06K 19/07779; G06K
19/07784; G06K 19/07786; G06K
19/0709

See application file for complete search history.

(56) **References Cited**

U.S. PATENT DOCUMENTS

D422,976 S 4/2000 Su D14/385
6,111,977 A 8/2000 Scott et al. 382/124
D466,898 S 12/2002 Hoornaert et al. D14/387
D518,051 S 3/2006 Castro D14/387

(Continued)

FOREIGN PATENT DOCUMENTS

EM 006084364 1/2019
EM 006268389 2/2019

OTHER PUBLICATIONS

U.S. Appl. No. 29/661,381, filed Aug. 27, 2018, Smartphone Case, Card Reader Device Case, and Combination Smartphone and Card Reader Device Case.

Primary Examiner — Austin Murphy

(74) *Attorney, Agent, or Firm* — Nutter McClennen & Fish LLP

(57) **CLAIM**

I claim the ornamental design for a card reader device, as shown and described.

DESCRIPTION

FIGS. 1-8 show a card reader device embodiment that includes a card swipe slot, where:

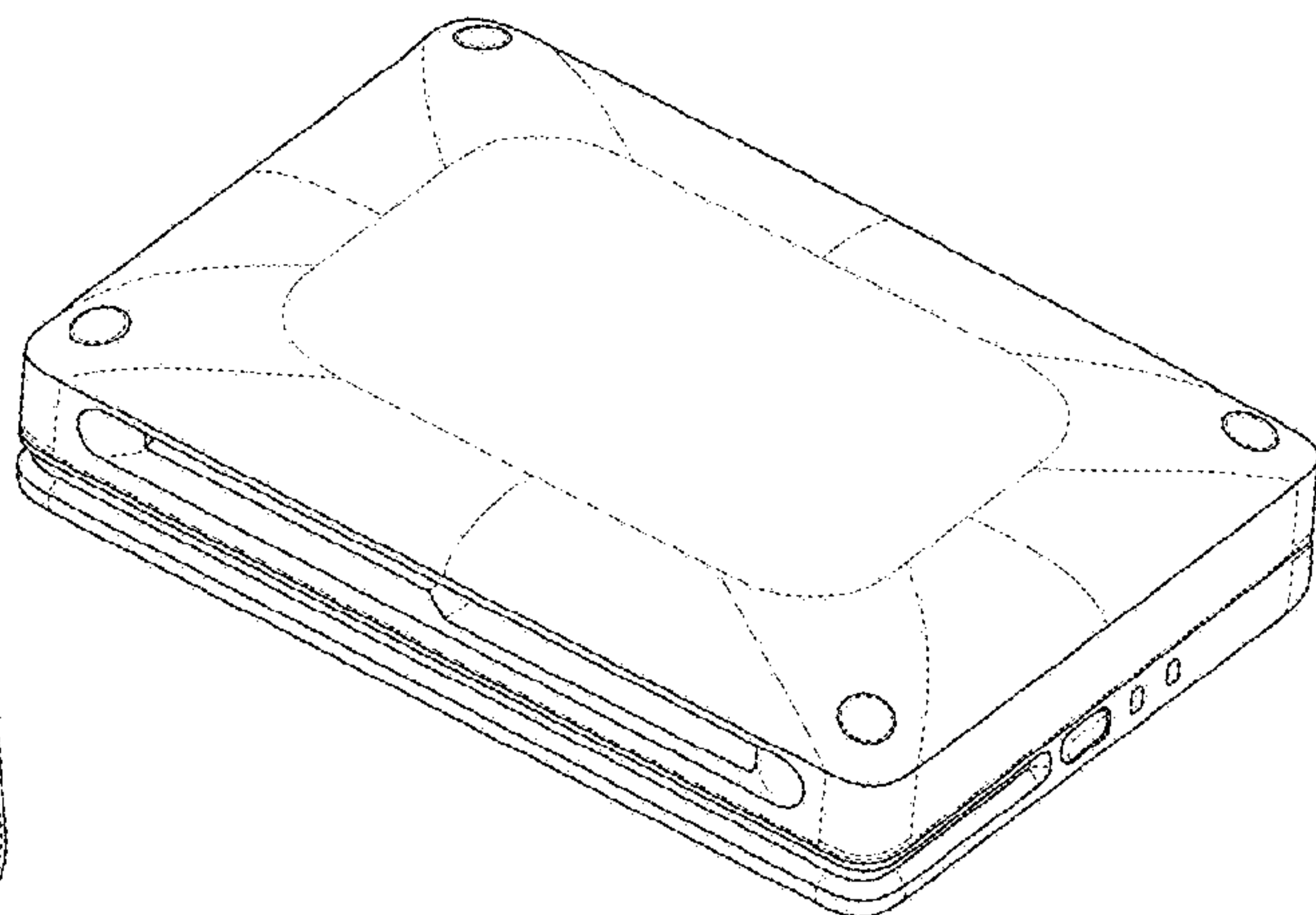
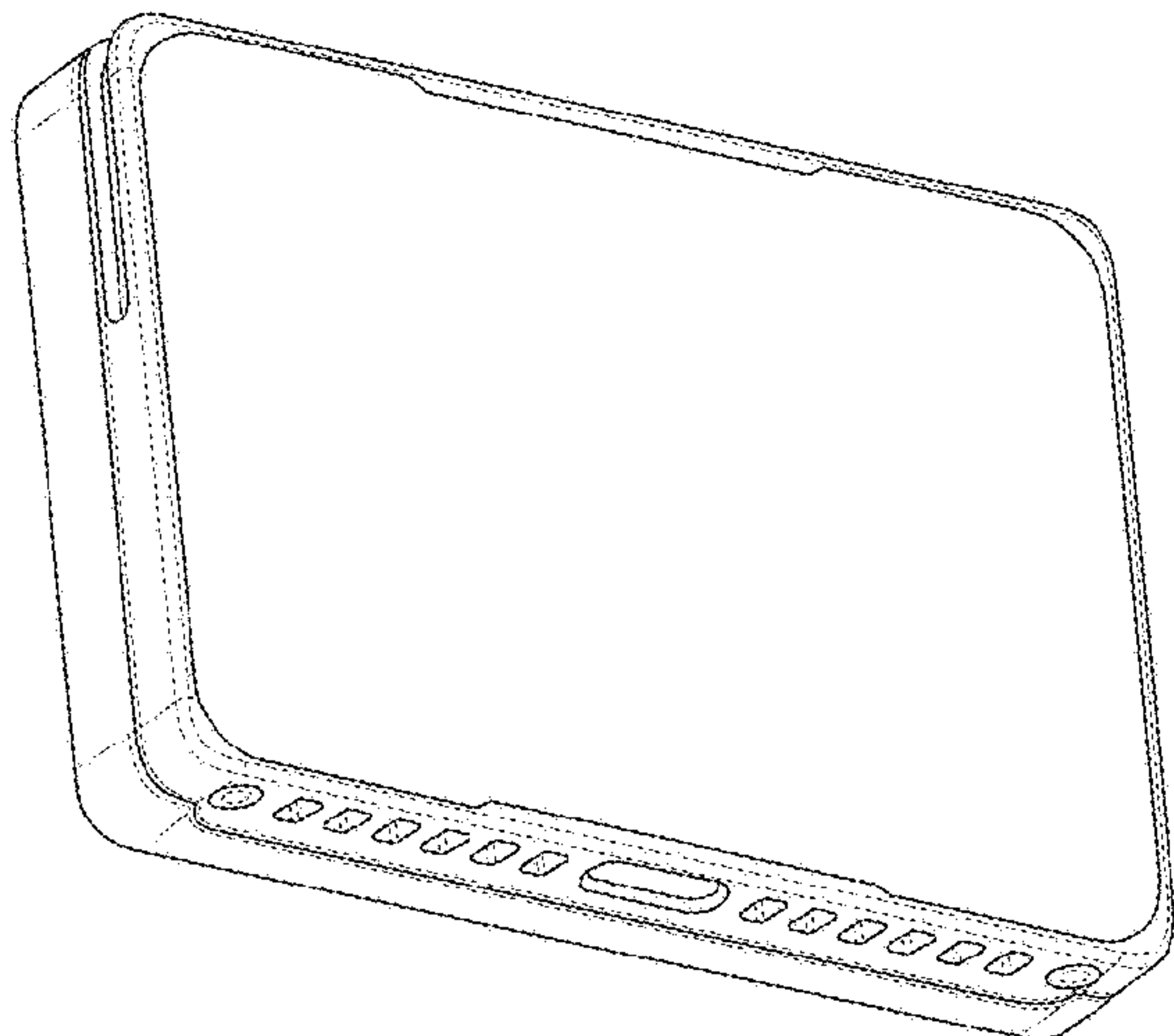
FIG. 1 shows a front perspective view of the card reader device in which the front side view of FIG. 3, the left side view of FIG. 6, and the bottom side view of FIG. 8 can be seen;

FIG. 2 shows a back perspective view of the card reader device in which the right side view of FIG. 4, the back side view of FIG. 5, and the top side view of FIG. 7 can be seen; FIG. 3 shows a front side view of the card reader device; FIG. 4 shows a right side view of the card reader device including the card swipe slot as well as optional control elements;

FIG. 5 shows a back side view of the card reader device; FIG. 6 shows a left side view of the card reader device including the card swipe slot;

FIG. 7 shows a top side view of the card reader device including the card insertion slot and the card swipe slot; and, FIG. 8 shows a bottom side view of the card reader device including an optional connector port at the center, optional recesses (six rectangular recesses on either side of the center connector port), and optional fasteners (one at the end of each series of recesses).

1 Claim, 8 Drawing Sheets



(56)

References Cited

U.S. PATENT DOCUMENTS

D564,014 S	3/2008	Spence et al.	D18/4.6	D685,789 S	7/2013	Chang	D14/383
D590,828 S	4/2009	Sherrod et al.	D14/385	D691,152 S	10/2013	Meisel et al.	D14/480.3
D592,661 S	5/2009	Woo et al.	D14/358	D700,606 S	3/2014	Lo	D14/385
D599,189 S	9/2009	Nunez et al.	D8/331	D703,670 S	4/2014	Rotsaert	D14/385
D607,000 S	12/2009	Cheng et al.	D14/485	D705,201 S	5/2014	Isaacs et al.	D14/240
D624,912 S	10/2010	Chen et al.	D14/356	D706,266 S *	6/2014	Rotsaert	D14/385
D654,885 S	2/2012	Isaias	D14/125	D711,876 S *	8/2014	McWilliam	D14/385
D659,836 S	5/2012	Bensch et al.	D24/167	D716,300 S *	10/2014	Cruz	D14/385
D660,834 S	5/2012	Akana et al.	D14/314	D719,561 S	12/2014	Akana et al.	D14/314
D667,402 S	9/2012	Maus	D14/385	D734,317 S	7/2015	Recor et al.	D14/307
D671,118 S	11/2012	Wesolek	D14/385	D740,286 S *	10/2015	Templeton	D14/385
D673,153 S	12/2012	Bousfield et al.	D14/385	D759,012 S	6/2016	Golden et al.	D14/358
D675,617 S *	2/2013	Daniel	D14/385	D774,510 S	12/2016	Rotsaert	D14/385
D676,047 S	2/2013	White et al.	D14/385	D797,739 S	9/2017	Templeton	D14/385
D681,036 S	4/2013	Taunay da Graca Couto	D14/385	D797,740 S	9/2017	Nguyen	D14/385
				D803,833 S	11/2017	He	D14/385
D681,639 S	5/2013	Cruz et al.	D14/385	D831,657 S *	10/2018	Shim	D14/435
D684,574 S	6/2013	Taunay da Graca Couto	D14/385	D841,648 S *	2/2019	Rotsaert	D14/385
				D878,367 S *	3/2020	Rotsaert	D14/385
				D887,413 S *	6/2020	Lou	D14/434

* cited by examiner

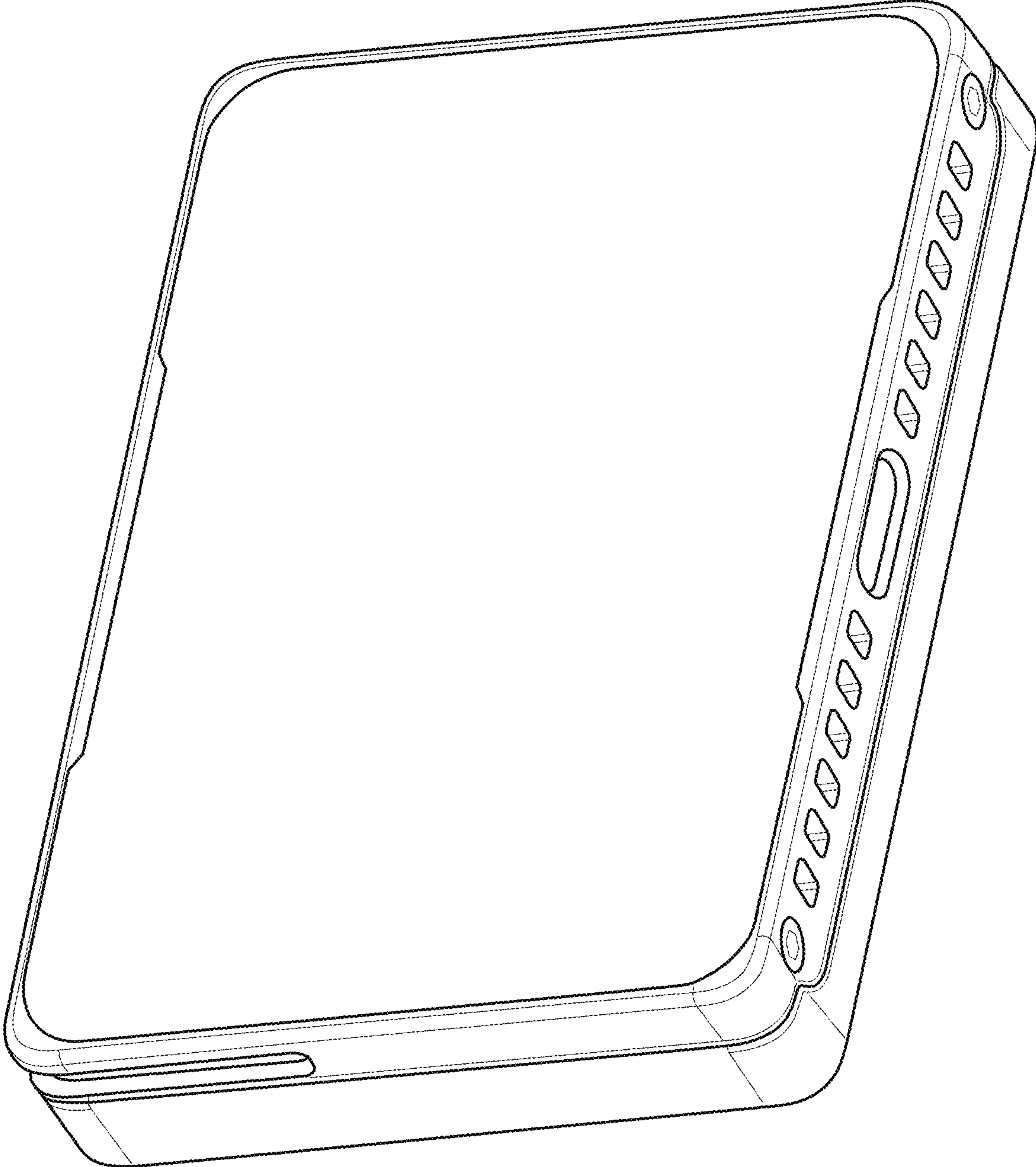


FIG. 1

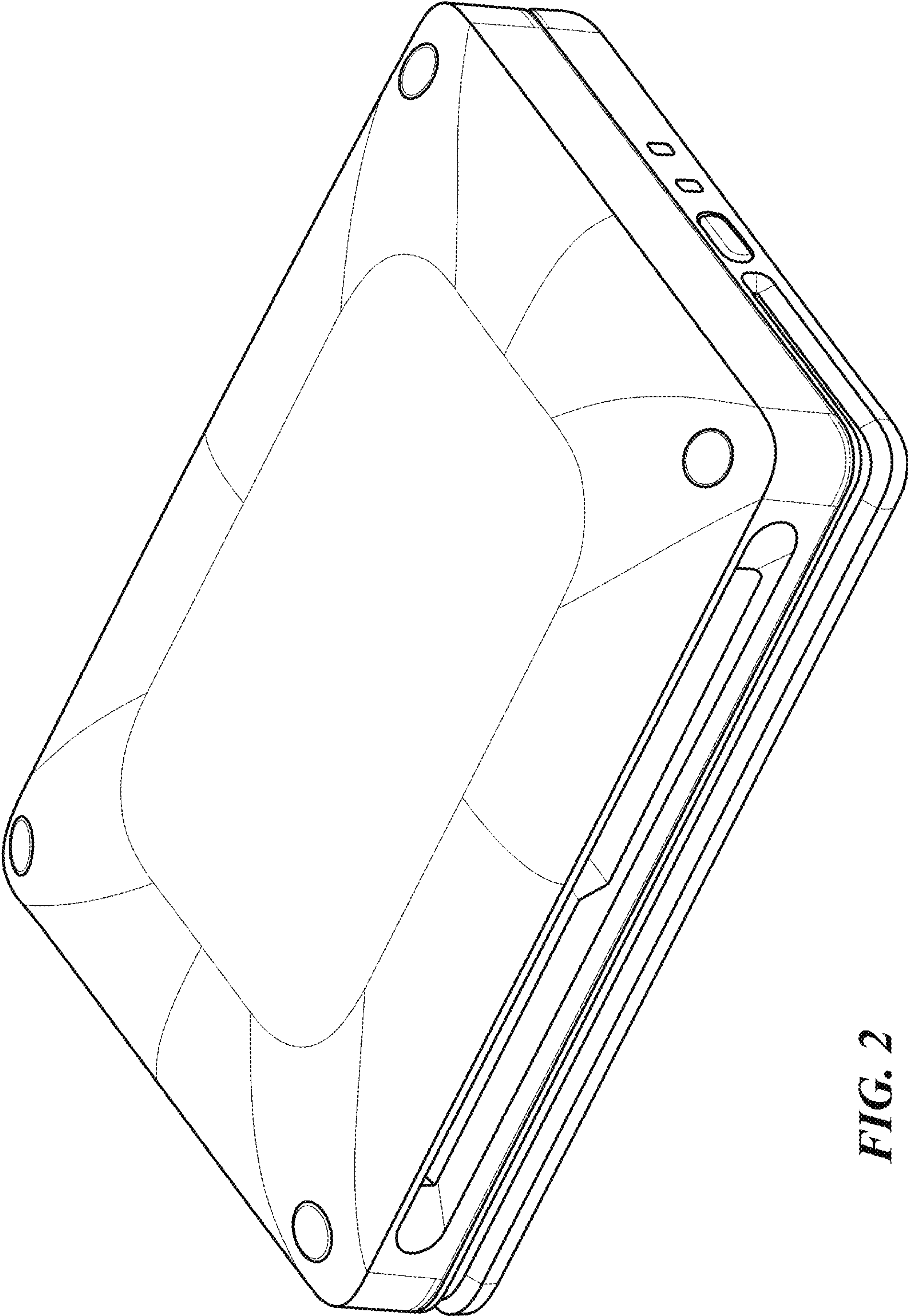


FIG. 2

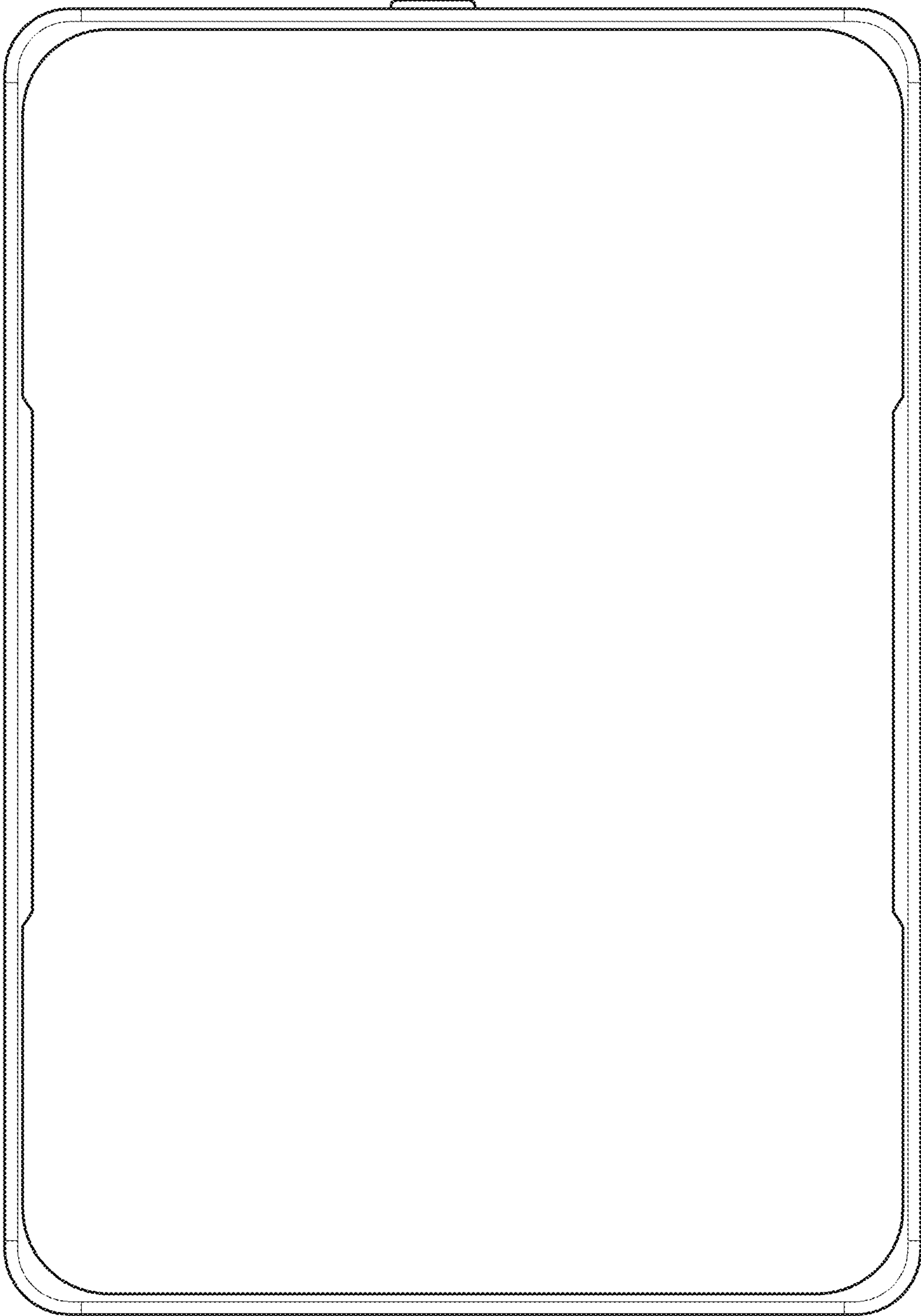


FIG. 3

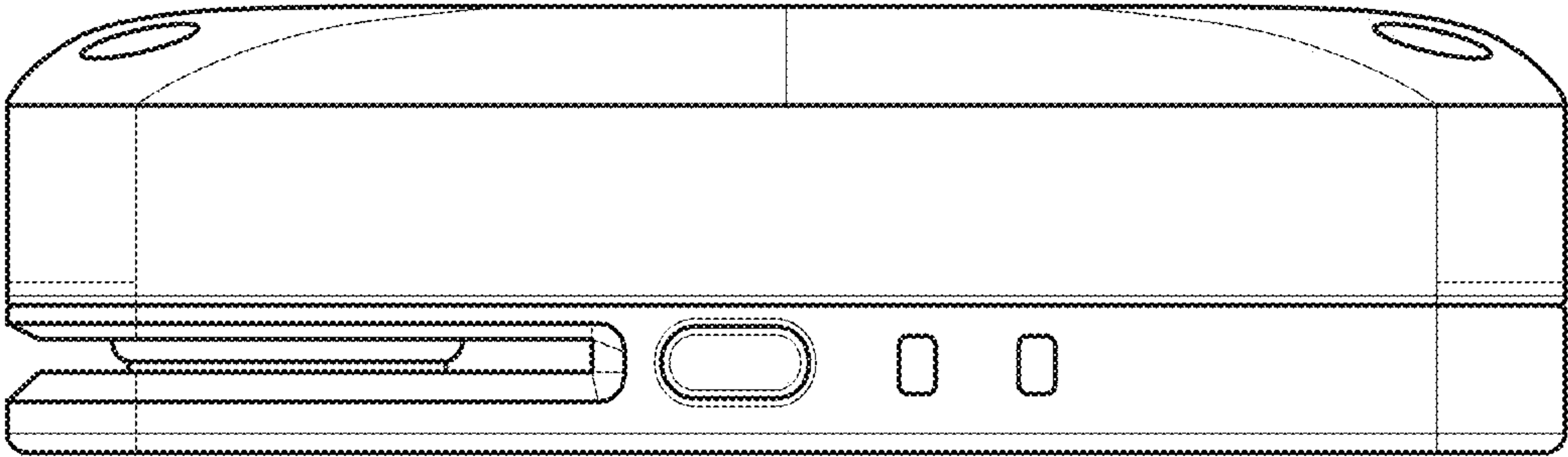


FIG. 4

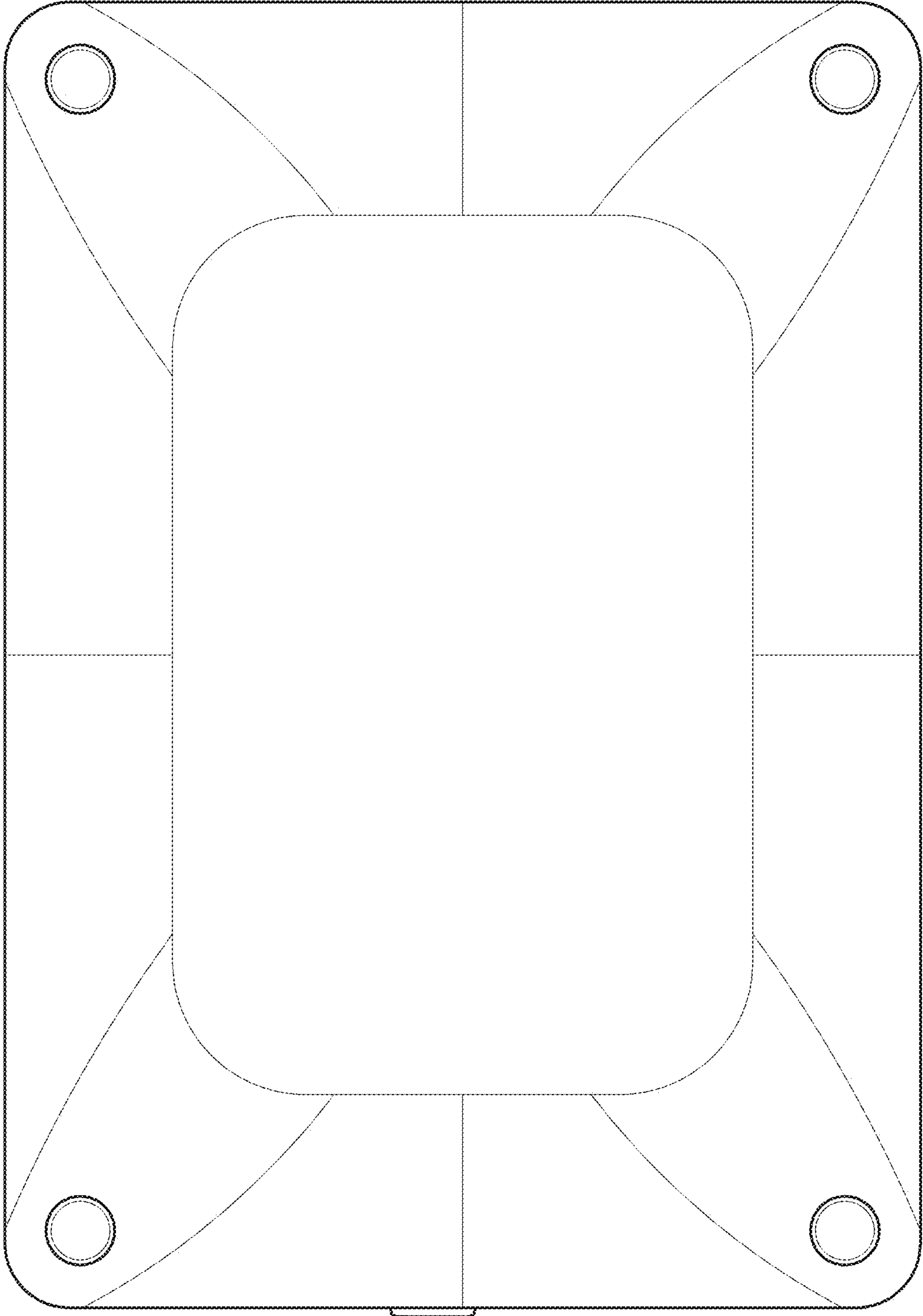


FIG. 5

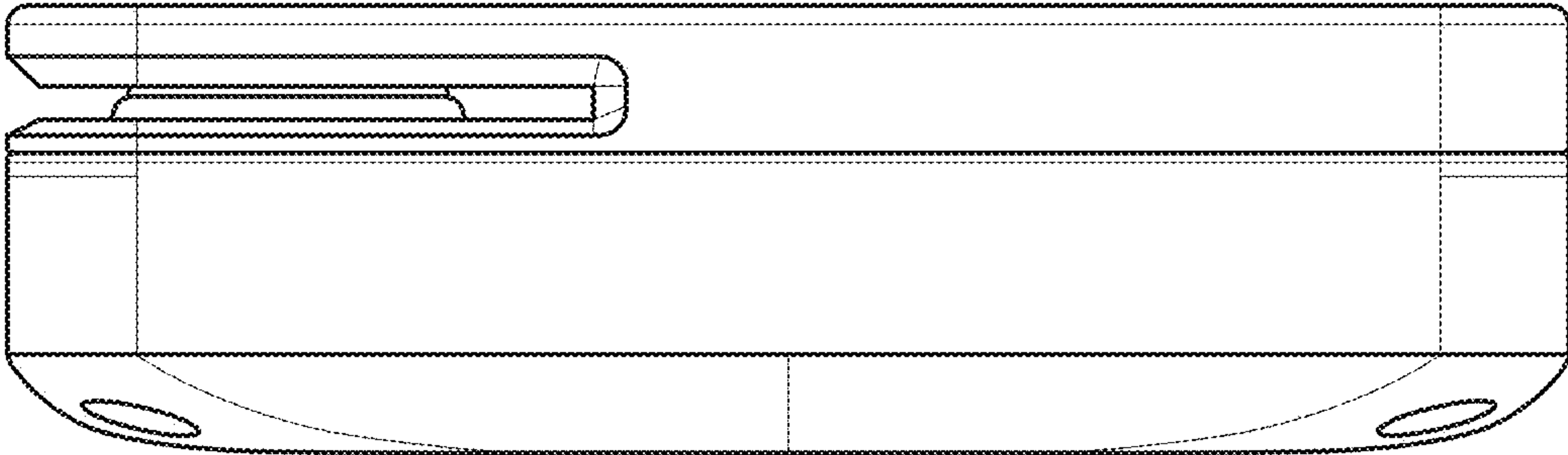


FIG. 6

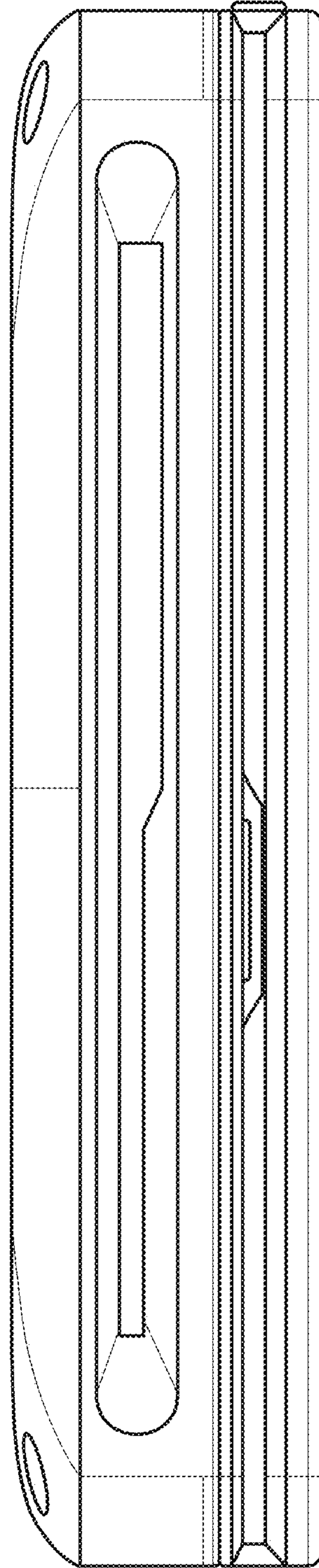


FIG. 7

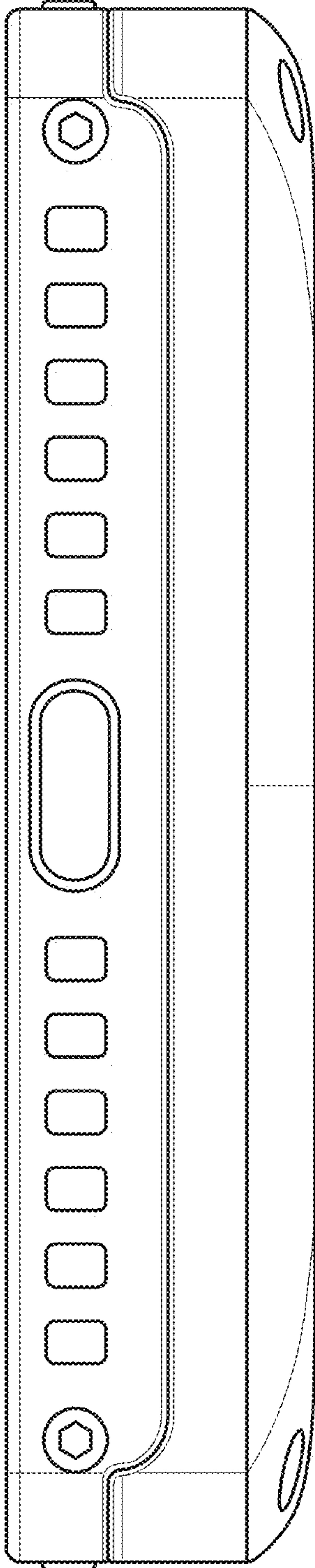


FIG. 8