



US00D918904S

(12) **United States Design Patent**
Jackson et al.

(10) **Patent No.:** **US D918,904 S**

(45) **Date of Patent:** **** May 11, 2021**

(54) **HEAD WEARABLE DEVICE**

(71) Applicant: **MacuLogix, Inc.**, Harrisburg, PA (US)

(72) Inventors: **Gregory R. Jackson**, Hershey, PA (US); **David E. Beecher**, Shippensburg, PA (US); **David E. Orr**, Piedmont, SC (US); **Frank Jones**, Carp (CA); **Nathan Smith**, Lewistown, PA (US)

(73) Assignee: **MACULOGIX, INC.**, Harrisburg, PA (US)

(**) Term: **15 Years**

(21) Appl. No.: **29/706,614**

(22) Filed: **Sep. 21, 2019**

(51) **LOC (13) Cl.** **14-02**

(52) **U.S. Cl.**
USPC **D14/372**

(58) **Field of Classification Search**
USPC D14/372, 496, 432, 371, 125, 126, 129, D14/299; D16/300-342; 351/158, 153, 351/144; 345/7-9, 905; 455/344; 348/115, 53, 121, 739
CPC G02B 27/017; G02B 27/0158; G02B 27/0161; G02B 27/0181; G02B 27/0185; G02B 27/0189

See application file for complete search history.

(56) **References Cited**

U.S. PATENT DOCUMENTS

D698,380 S * 1/2014 Fletcher D16/202
D840,397 S * 2/2019 Li D14/372

D852,191 S * 6/2019 Chan D14/372
D860,992 S * 9/2019 Bristol D14/372
D865,762 S * 11/2019 Lau D14/372
D883,979 S * 5/2020 Chen D14/372
D883,980 S * 5/2020 Chen D14/372
D892,792 S * 8/2020 Miller D14/372
D893,478 S * 8/2020 Watanabe D14/372
D896,223 S * 9/2020 Amijo D14/372
D898,738 S * 10/2020 Denhez D14/372
D900,095 S * 10/2020 Wang D14/372
D900,099 S * 10/2020 Park D14/372

* cited by examiner

Primary Examiner — Austin Murphy

(74) *Attorney, Agent, or Firm* — White & Case LLP

(57) **CLAIM**

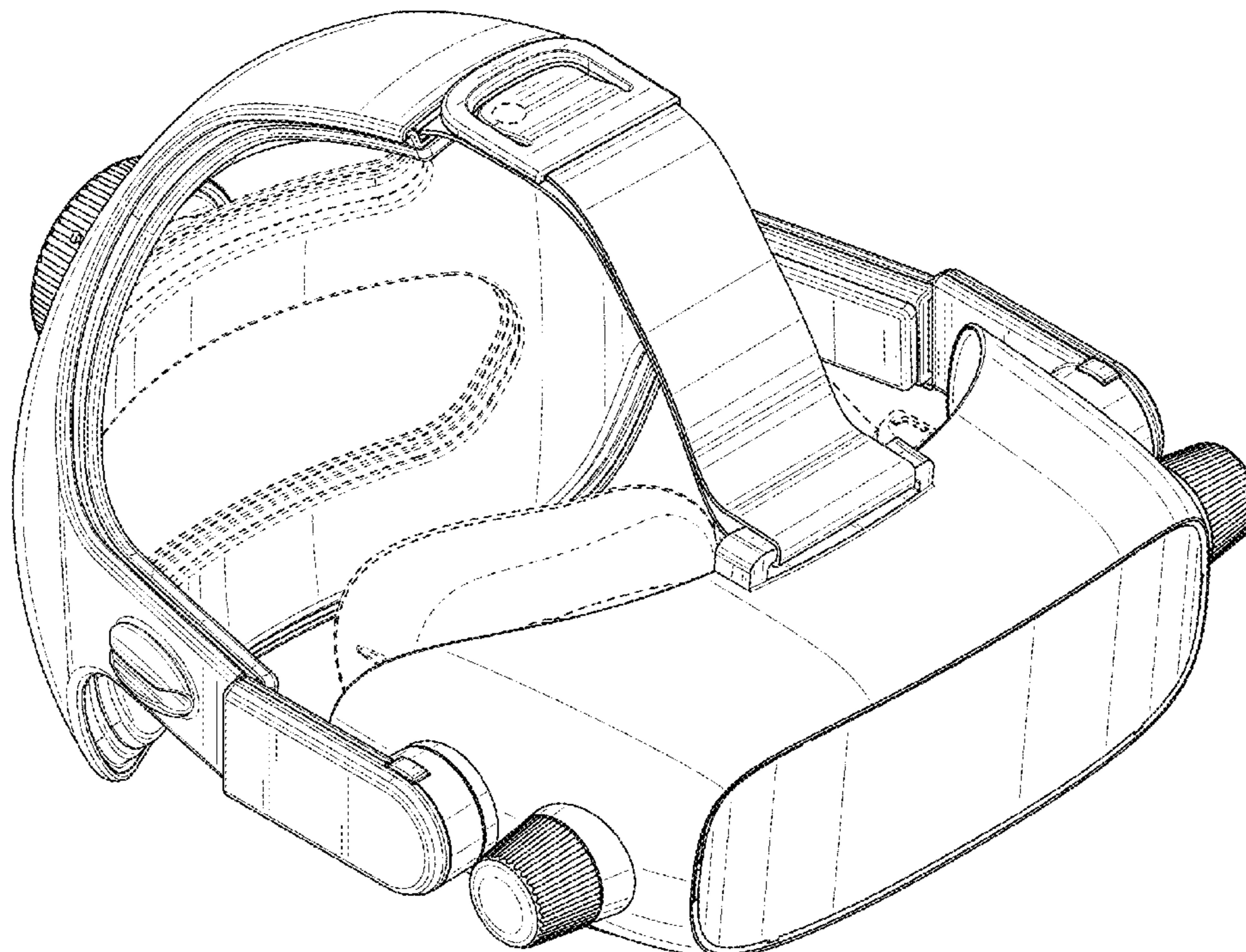
The ornamental design for a head wearable device, as shown and described.

DESCRIPTION

FIG. 1 is a perspective view of the ornamental design; FIG. 2 is a front view of the ornamental design; FIG. 3 is a back view of the ornamental design; FIG. 4 is a side view of the ornamental design; FIG. 5 is another side view of the ornamental design; FIG. 6 is a top view of the ornamental design; FIG. 7 is a bottom view of the ornamental design; and, FIG. 8 is a perspective view of the ornamental design in an expanded form.

The dashed lines are also for purposes of showing environmental structure and operational use only, and form no part of the claimed ornamental design.

1 Claim, 8 Drawing Sheets



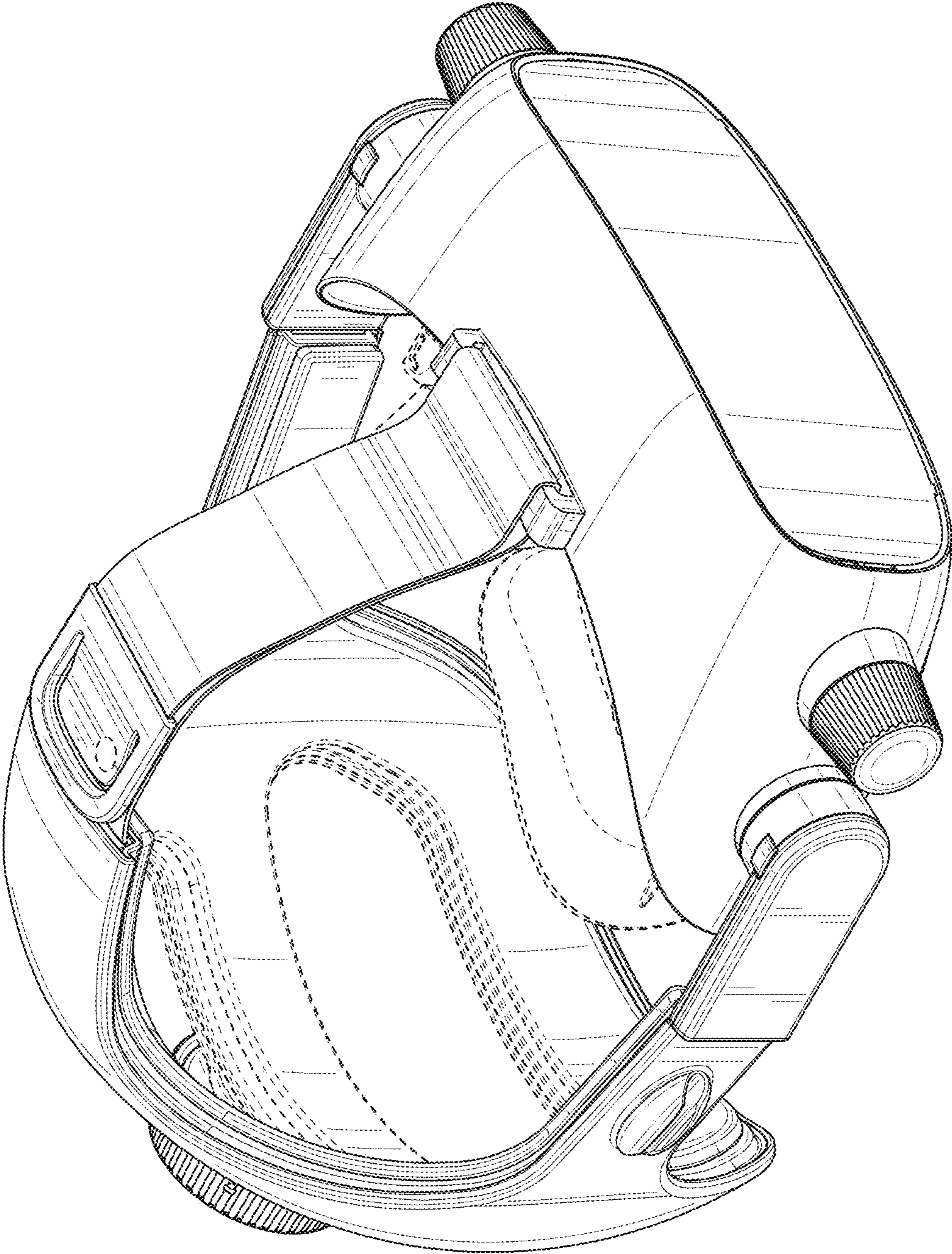


FIG. 1

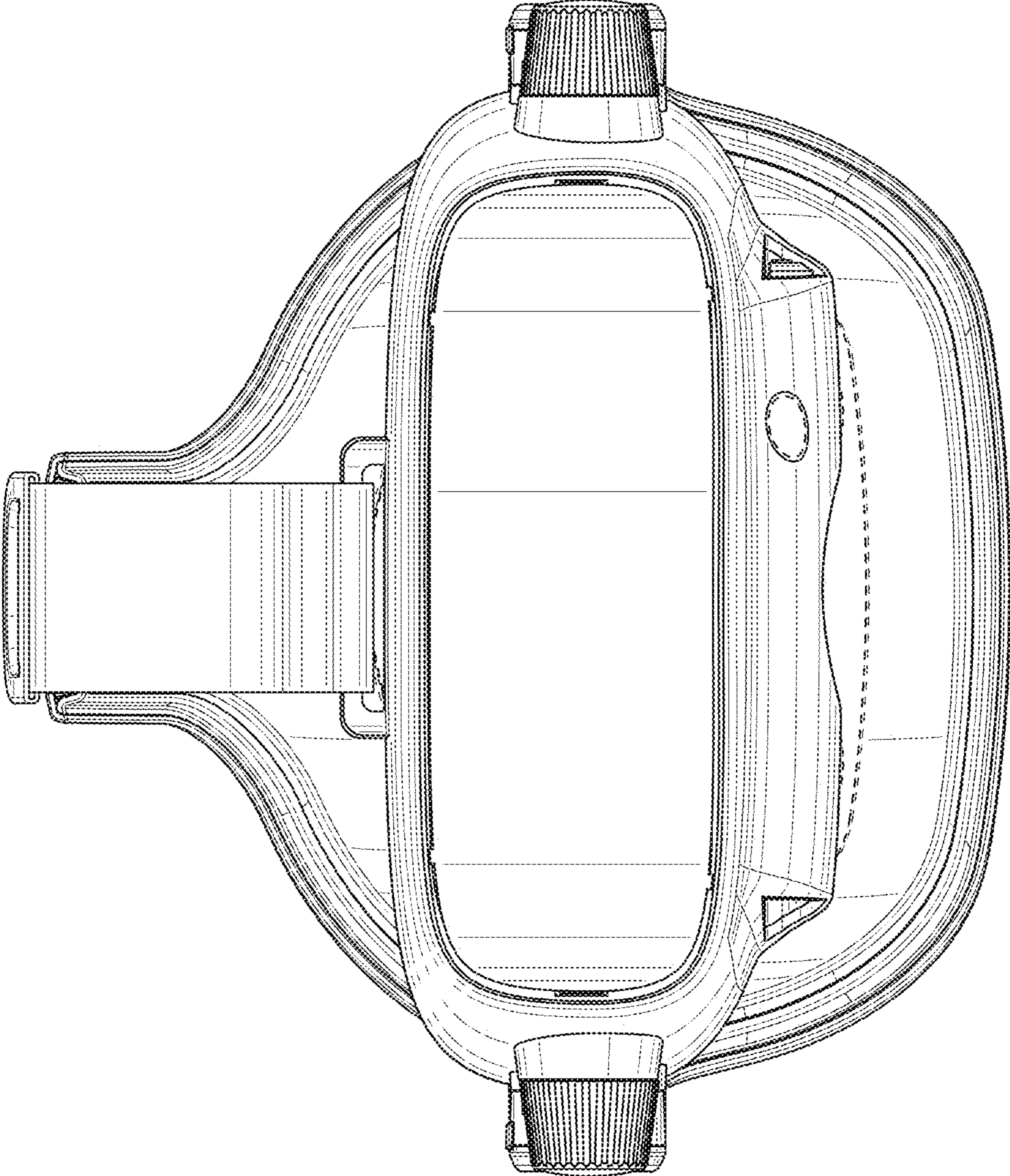


FIG. 2

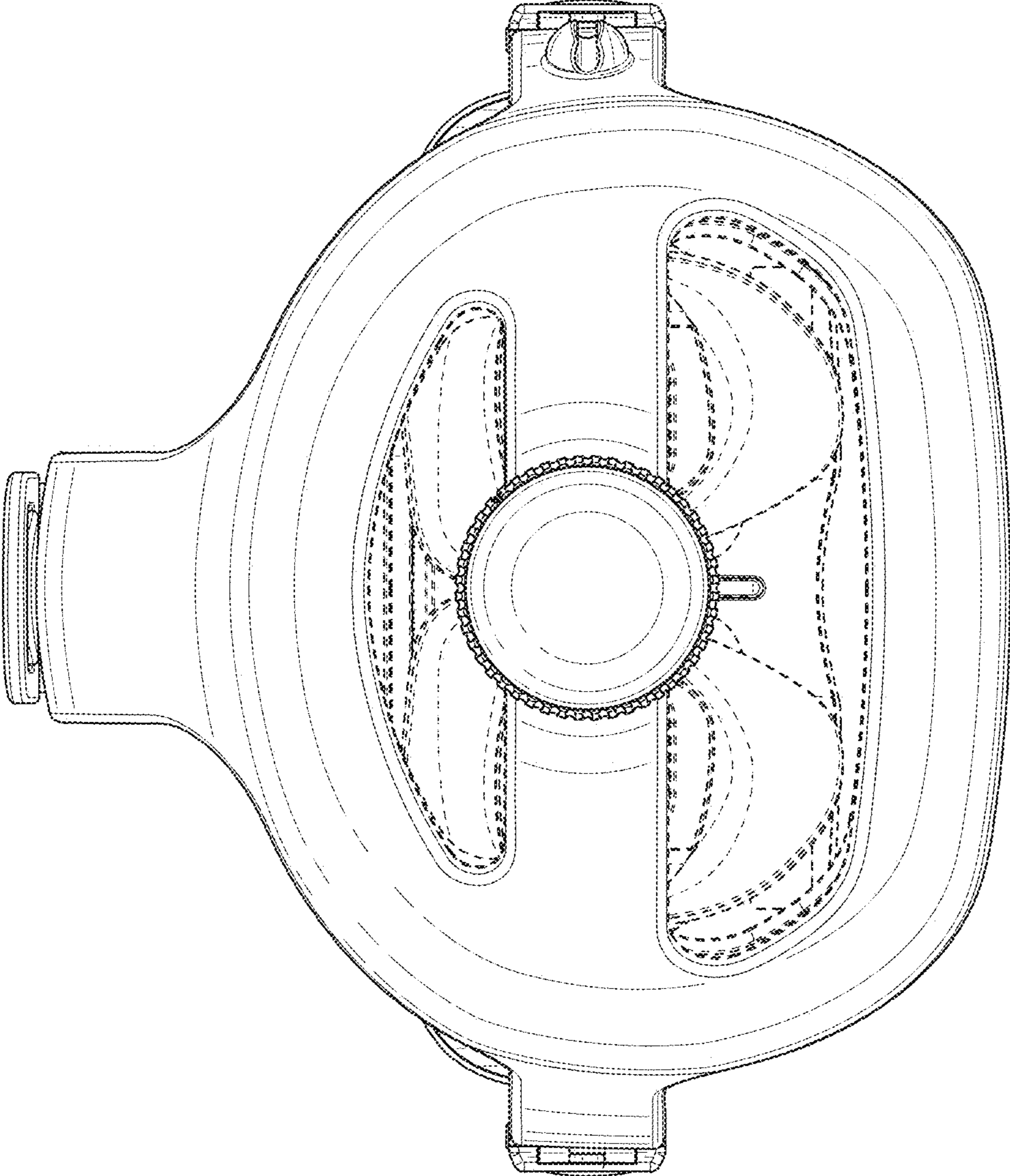


FIG. 3

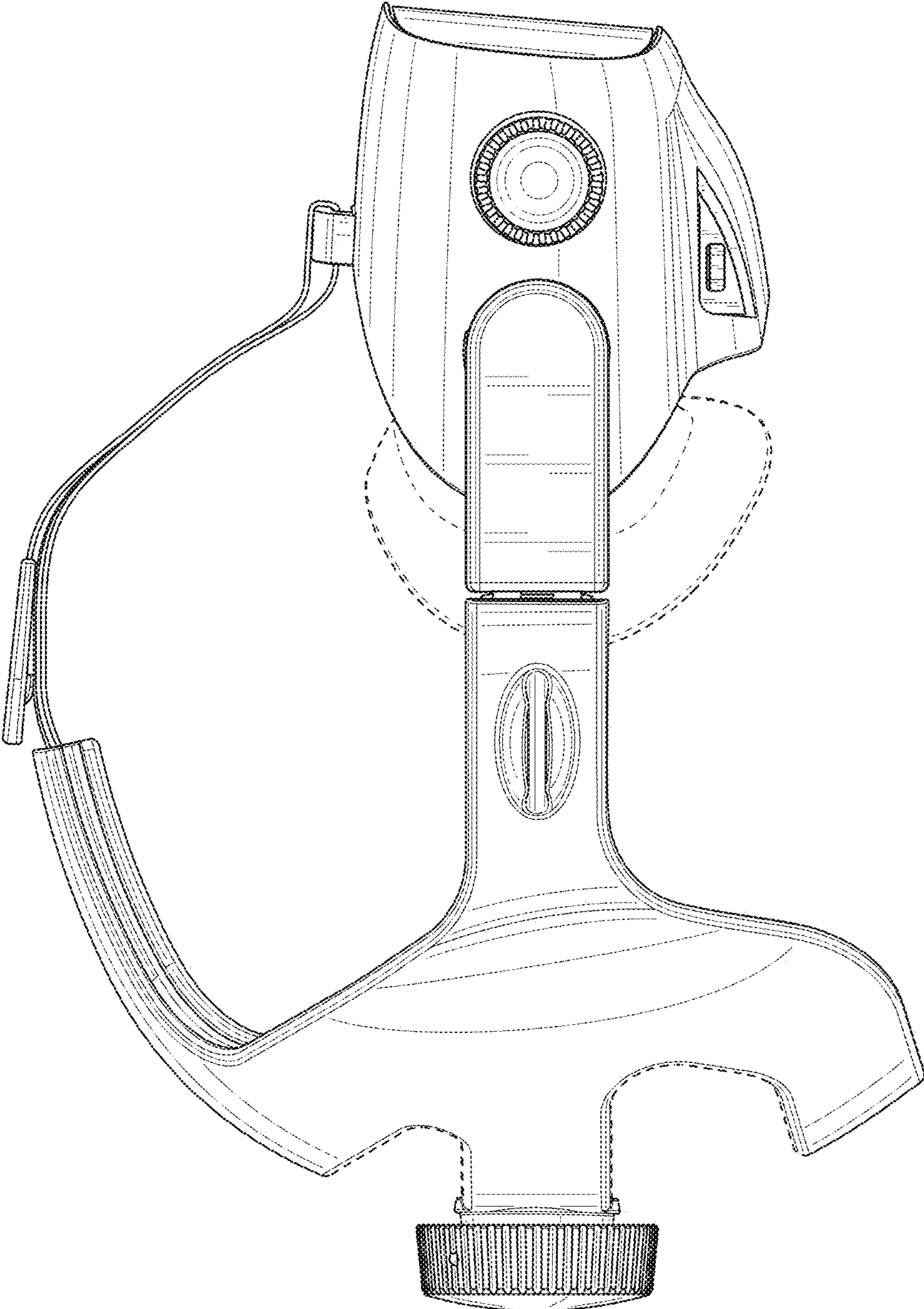


FIG. 4

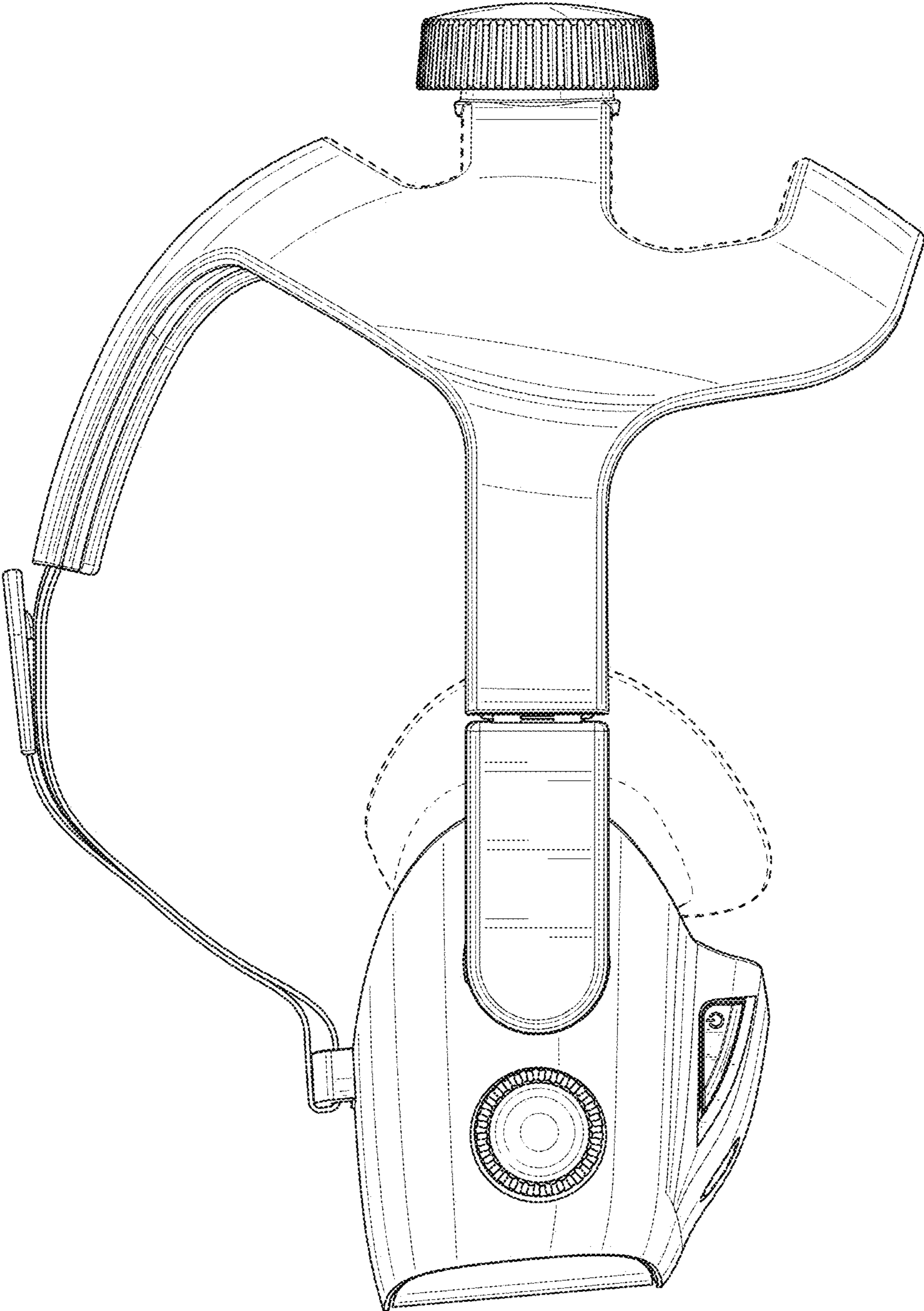


FIG. 5

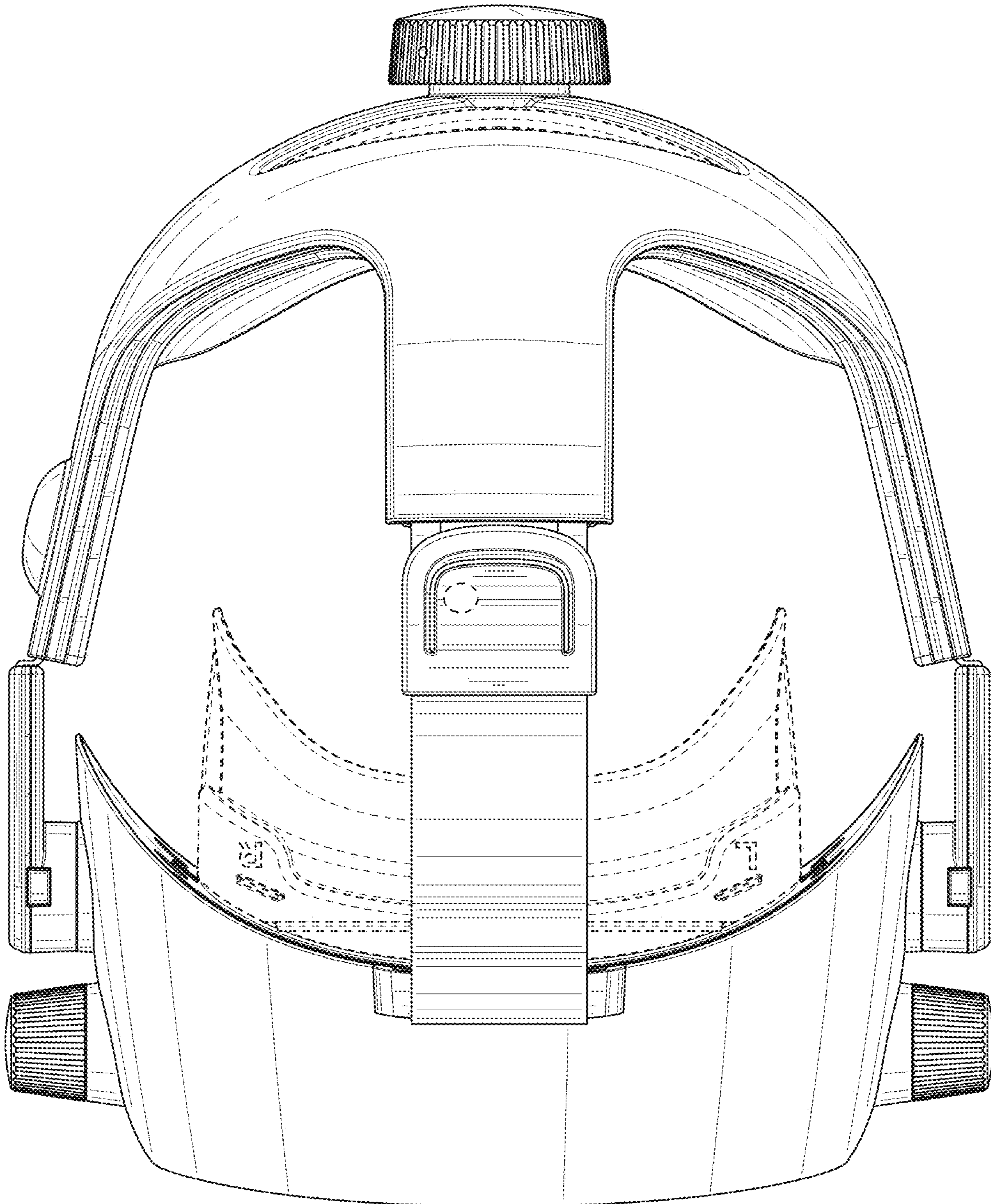


FIG. 6

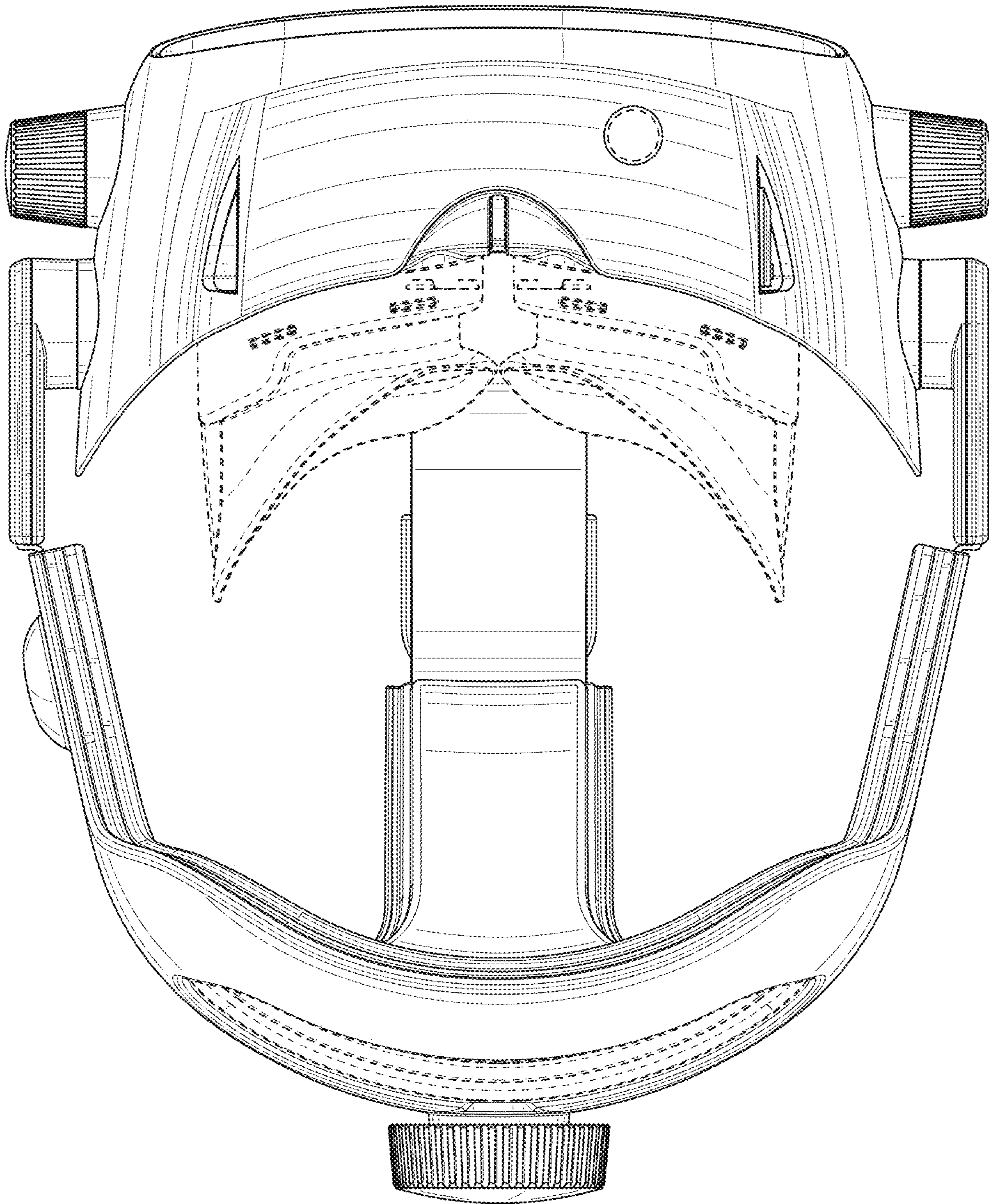


FIG. 7

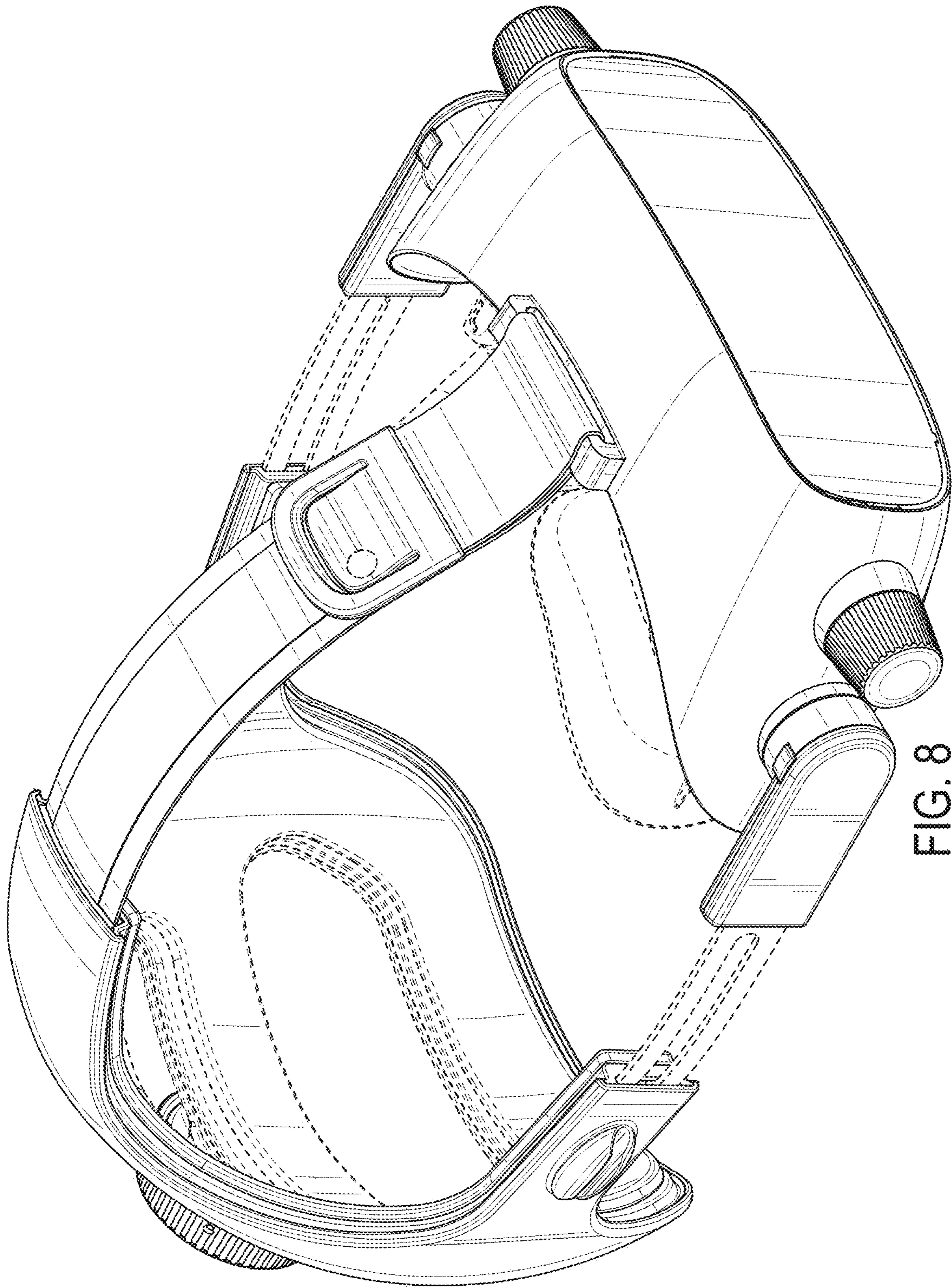


FIG. 8