



US00D918903S

(12) **United States Design Patent**
Jackson et al.

(10) **Patent No.:** **US D918,903 S**

(45) **Date of Patent:** **** May 11, 2021**

(54) **HEADSET FOR OCULAR TESTING AND MEASUREMENT**

(71) Applicant: **MacuLogix, Inc.**, Harrisburg, PA (US)

(72) Inventors: **Gregory R. Jackson**, Hershey, PA (US); **David E. Beecher**, Shippensburg, PA (US); **David E. Orr**, Piedmont, SC (US); **Frank Jones**, Carp (CA); **Nathan Smith**, Lewistown, PA (US)

(73) Assignee: **MACULOGIX, INC.**, Harrisburg, PA (US)

(**) Term: **15 Years**

(21) Appl. No.: **29/706,611**

(22) Filed: **Sep. 21, 2019**

(51) **LOC (13) Cl.** **14-02**

(52) **U.S. Cl.**
USPC **D14/372**

(58) **Field of Classification Search**
USPC D14/372, 496, 432, 371, 125, 126, 129, D14/299; D16/300-342; 351/158, 153, 351/144; 345/7-9, 905; 455/344; 348/115, 53, 121, 739
CPC G02B 27/017; G02B 27/0158; G02B 27/0161; G02B 27/0181; G02B 27/0185; G02B 27/0189

See application file for complete search history.

(56) **References Cited**

U.S. PATENT DOCUMENTS

D698,380 S *	1/2014	Fletcher	D16/202
D840,397 S *	2/2019	Li	D14/372
D852,191 S *	6/2019	Chan	D14/372
D860,992 S *	9/2019	Bristol	D14/372
D865,762 S *	11/2019	Lau	D14/372
D875,730 S *	2/2020	Lau	D14/372
D892,790 S *	8/2020	Moon	D14/372
D892,792 S *	8/2020	Miller	D14/372
D893,478 S *	8/2020	Watanabe	D14/372

* cited by examiner

Primary Examiner — Austin Murphy

(74) *Attorney, Agent, or Firm* — White & Case LLP

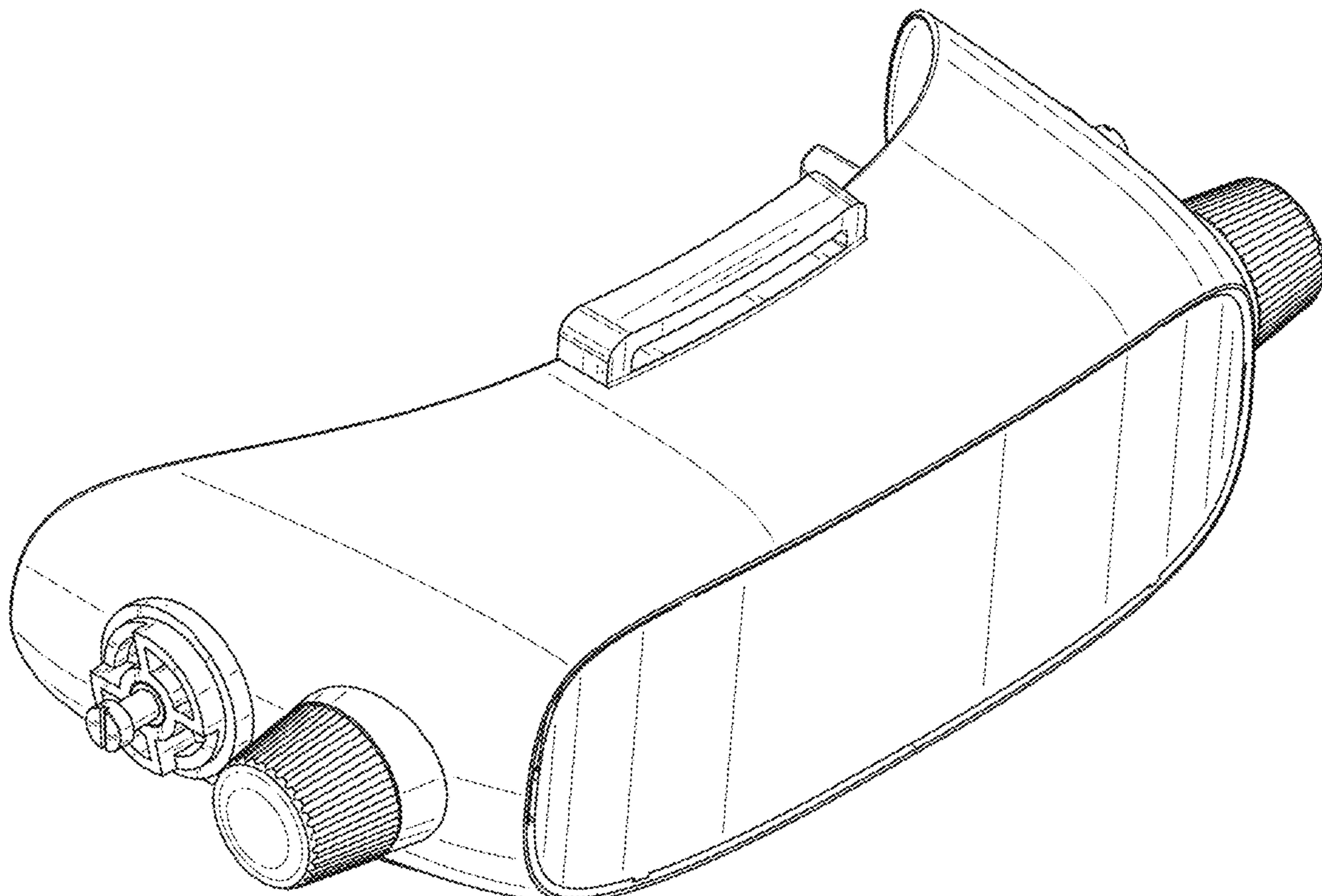
(57) **CLAIM**

The ornamental design for a head set for ocular testing and measurement, as shown and described.

DESCRIPTION

FIG. 1 is a perspective view of the ornamental design; FIG. 2 is a front view of the ornamental design; FIG. 3 is a back view of the ornamental design; FIG. 4 is a side view of the ornamental design; FIG. 5 is another side view of the ornamental design; FIG. 6 is a top view of the ornamental design; FIG. 7 is a bottom view of the ornamental design; and,

1 Claim, 7 Drawing Sheets



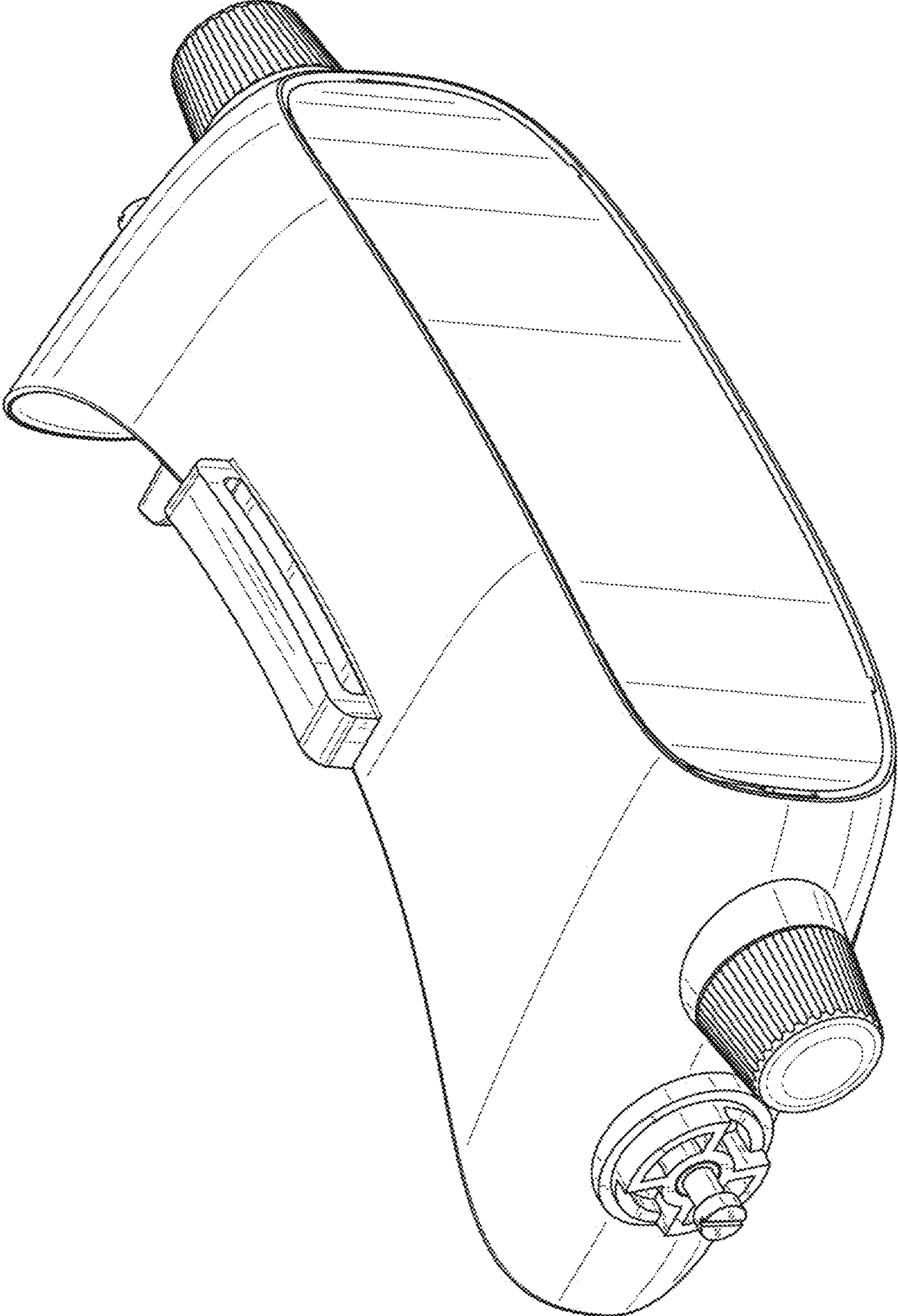


FIG. 1

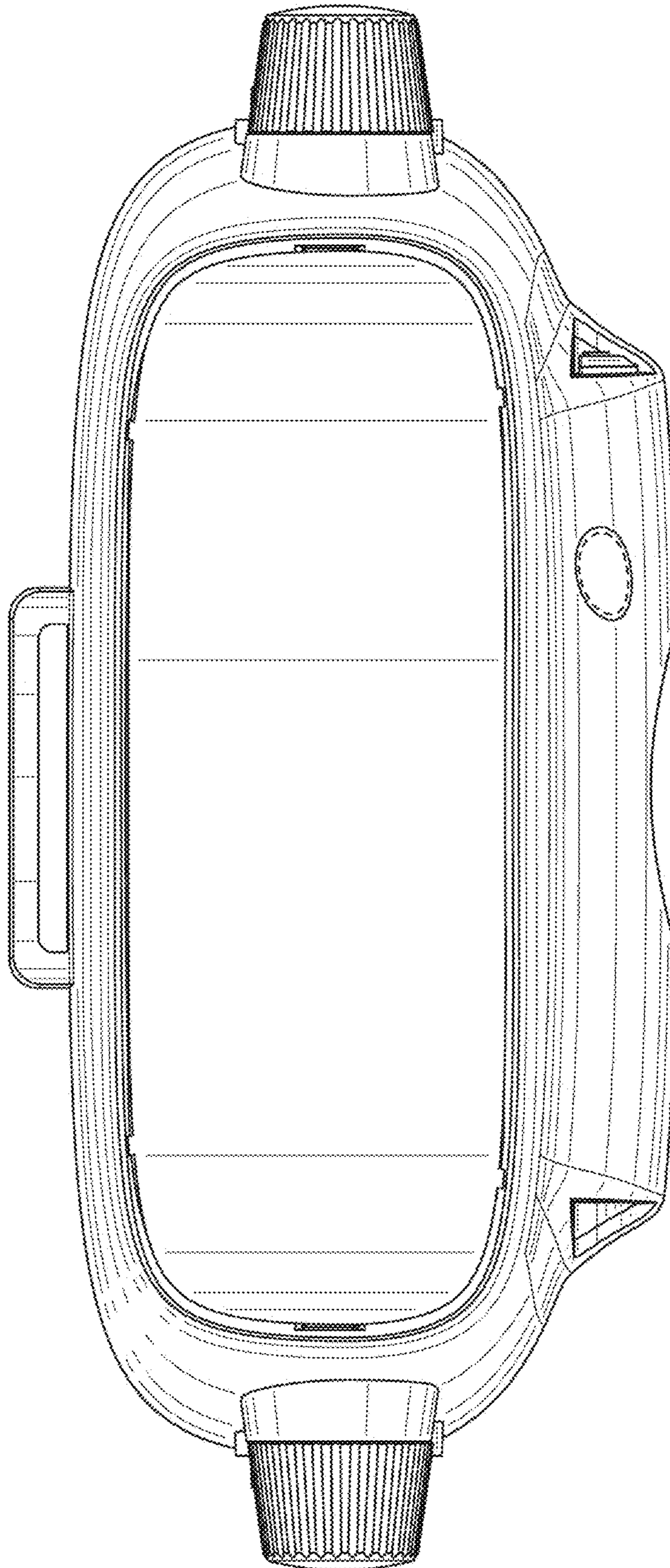


FIG. 2

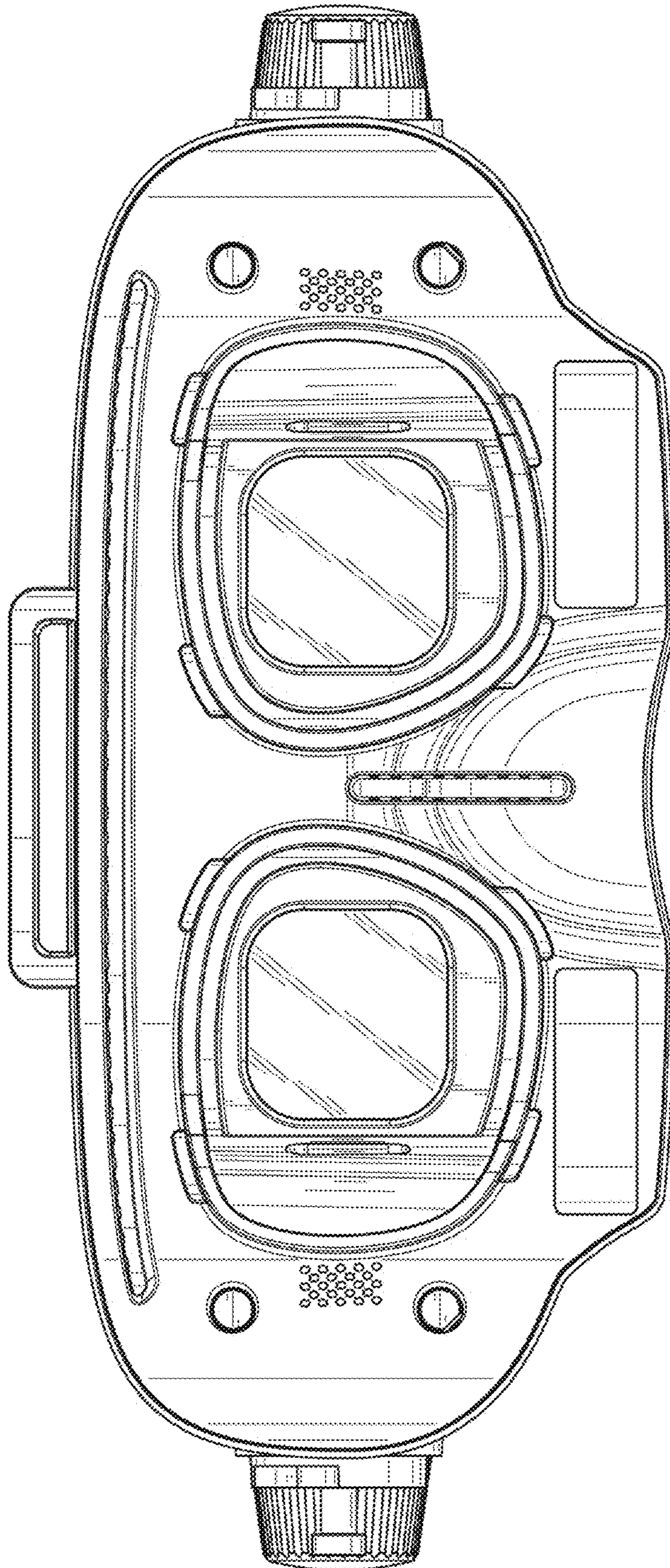


FIG. 3

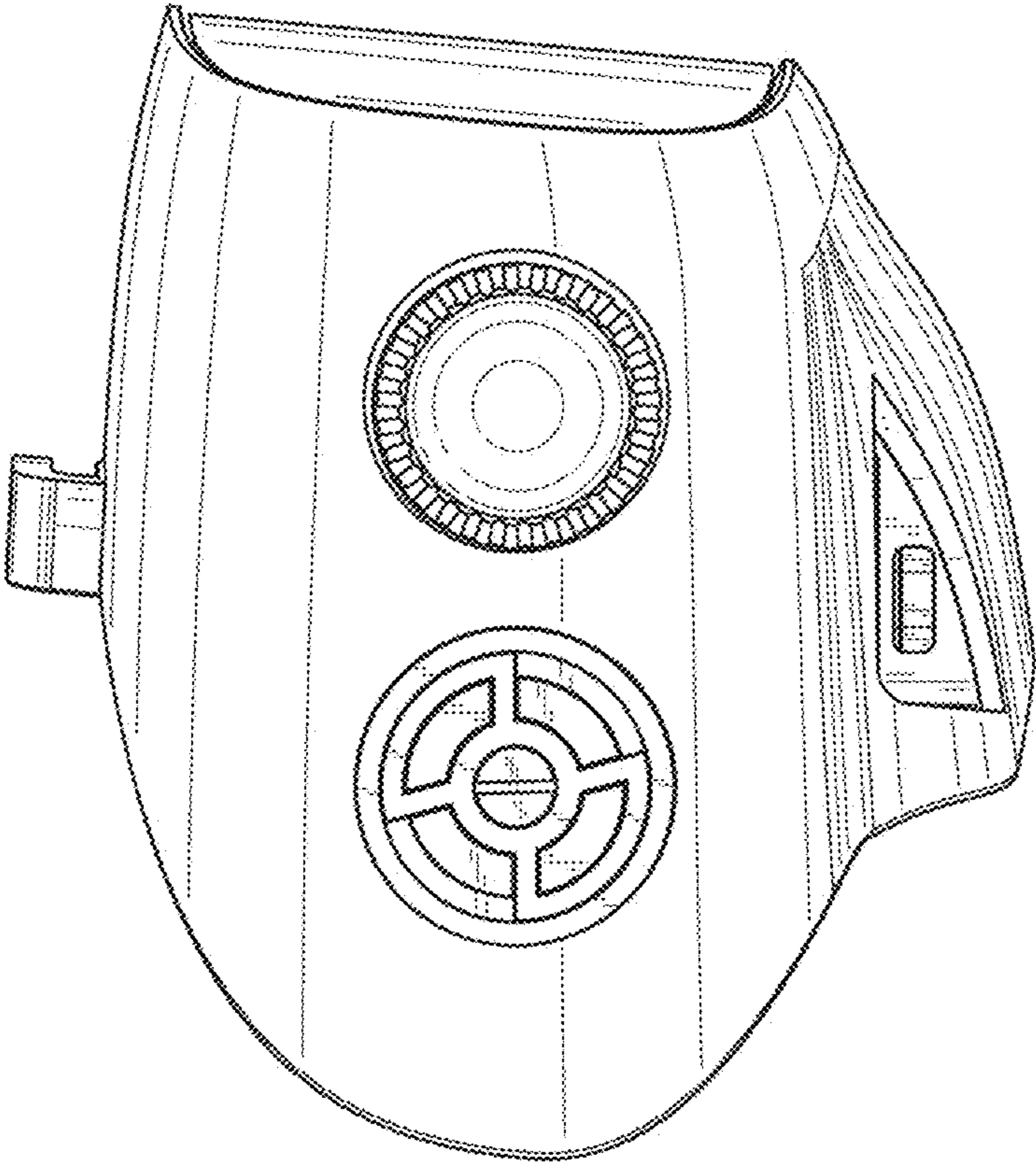


FIG. 4

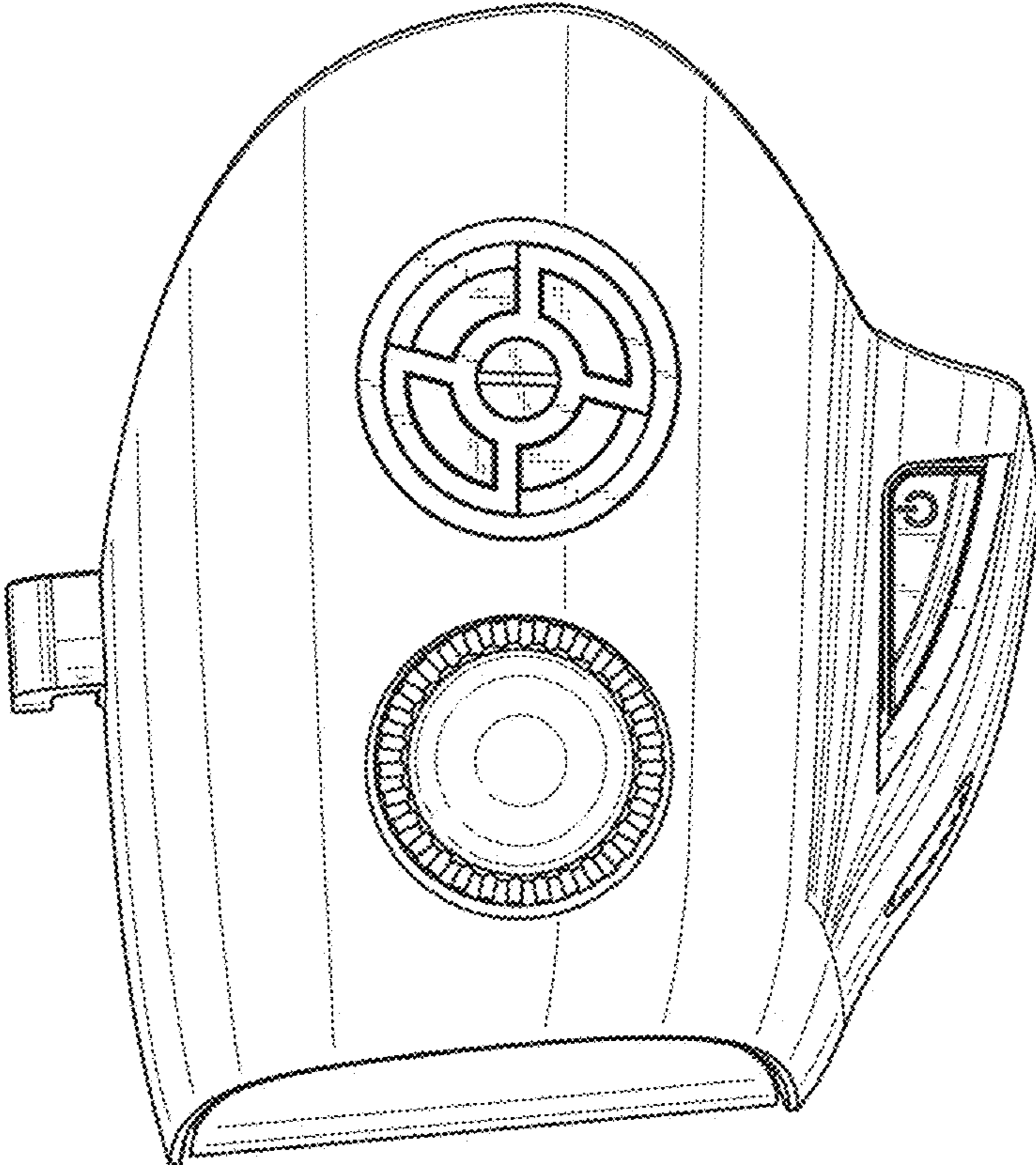


FIG. 5

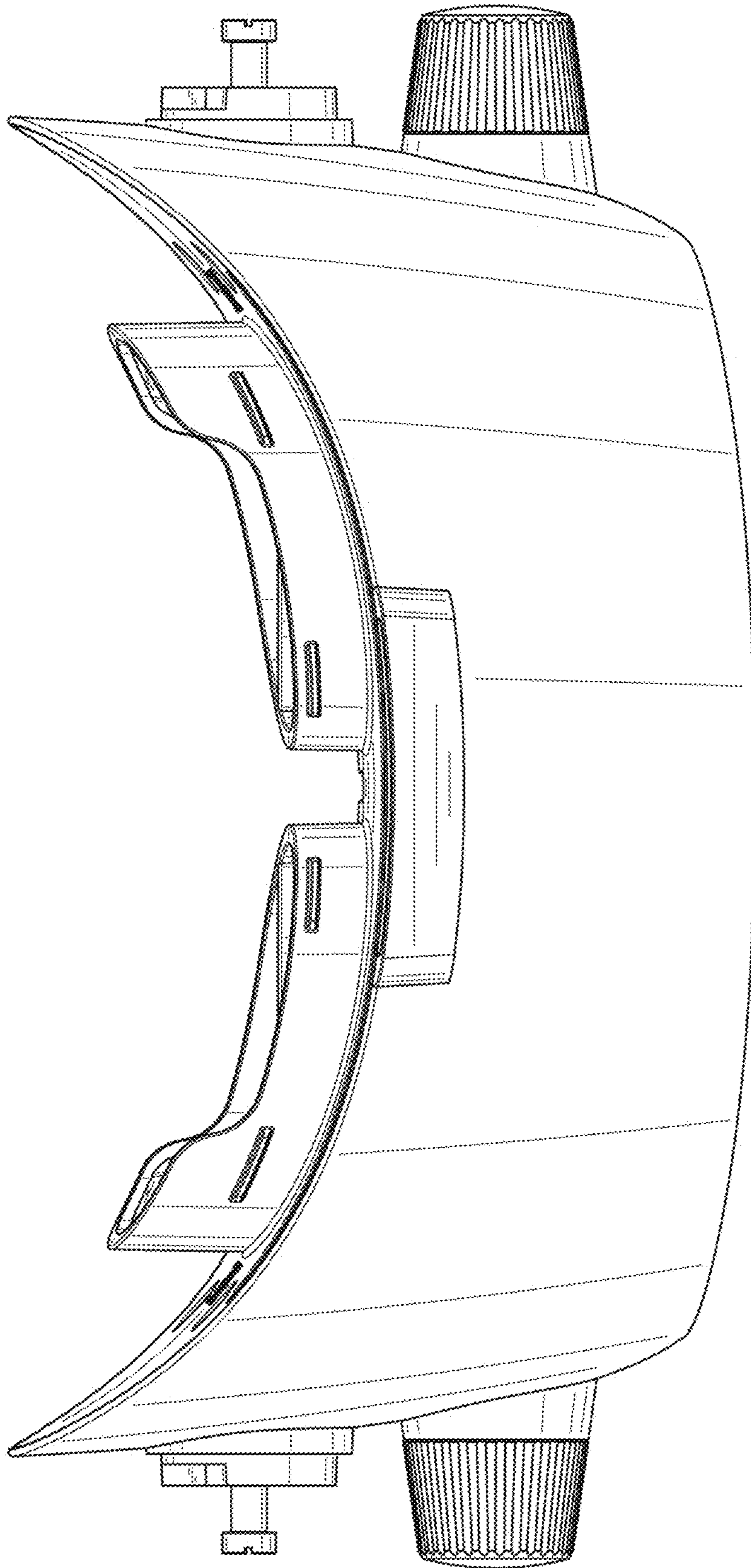


FIG. 6

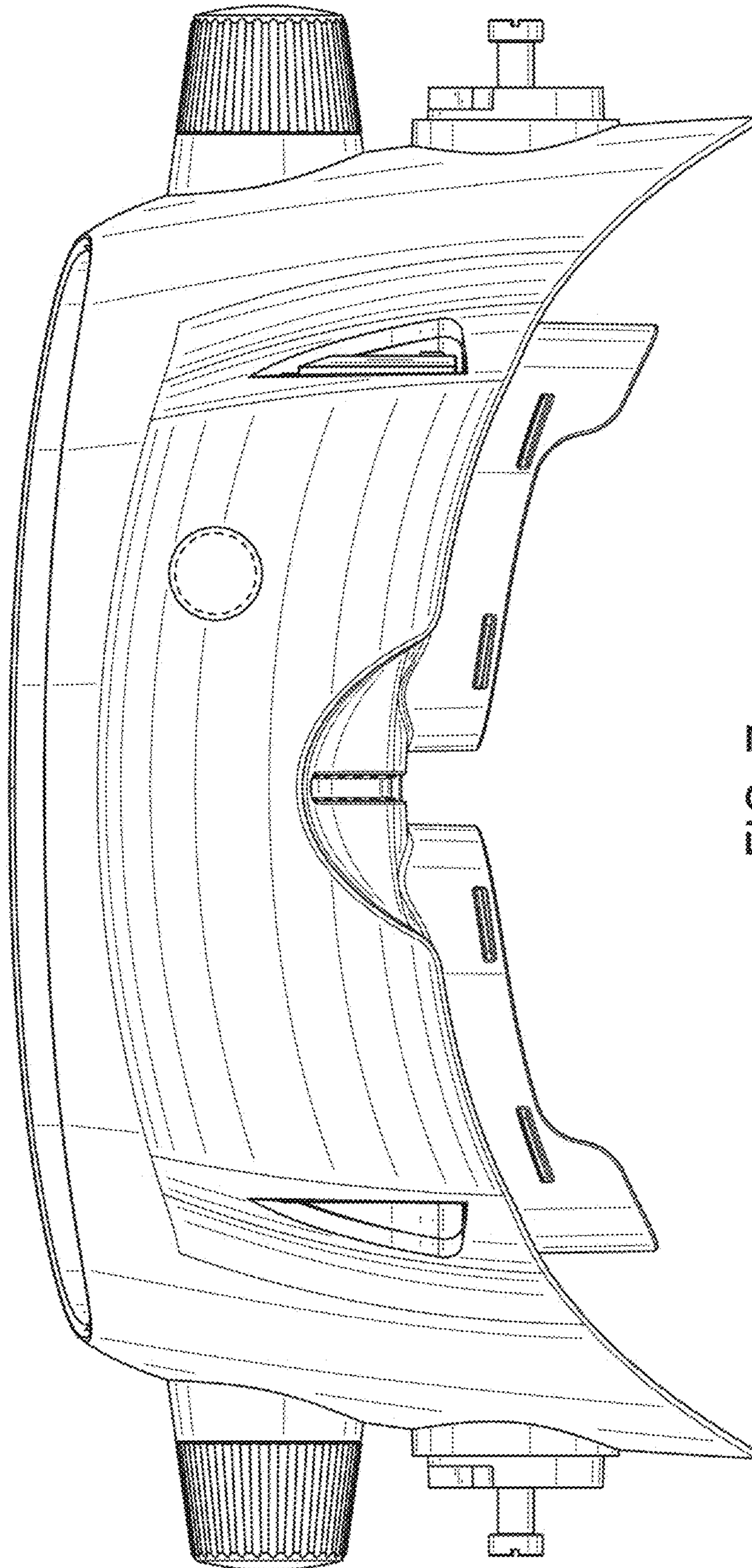


FIG. 7