

US00D918901S

(12) **United States Design Patent** (10) **Patent No.:** **US D918,901 S**
Zhang et al. (45) **Date of Patent:** **** May 11, 2021**

(54) **BUILDING CONTROLLER**
(71) Applicant: **Honeywell International Inc.**, Morris Plains, NJ (US)
(72) Inventors: **Ke Zhang**, Beijing (CN); **FoongYeen Chan**, Petaling Jaya (MY); **Haitao Li**, Beijing (CN); **Cary Leen**, Hammond, WI (US); **Andrew Halford**, Manchester, MD (US); **Timo Philajasaari**, Gelnhausen (DE); **Wei Guo**, Beijing (CN); **Hua Tang**, Beijing (CN); **Hang Su**, Chongqing (CN)
(73) Assignee: **Honeywell International Inc.**, Charlotte, NC (US)

D596,964 S 7/2009 Wang et al.
D607,843 S 1/2010 Borax
D620,454 S * 7/2010 Lissola D13/164
D628,199 S 11/2010 Yukikado et al.
D659,652 S * 5/2012 Wong D13/162.1
(Continued)

(**) Term: **15 Years**
(21) Appl. No.: **29/662,117**
(22) Filed: **Sep. 1, 2018**
(51) **LOC (13) Cl.** **14-02**
(52) **U.S. Cl.**
USPC **D14/358**; D13/162.1
(58) **Field of Classification Search**
USPC D13/162, 162.1, 184; D10/49, 50;
D14/240, 358
CPC G06F 1/181; G05B 11/01; G05B 15/02;
G08C 17/00; G08C 17/02; H01Q 1/007;
H04W 88/005; H04W 88/02; H04W
88/08; H04W 88/085; H04W 88/10;
H04W 88/12; H04W 88/14; H04W 88/16;
G11B 33/08; G11B 33/126; G11B
33/128; H02J 7/0042; H02J 7/0044; H02J
7/0068
See application file for complete search history.

OTHER PUBLICATIONS

JACE 8000 Controller; before Jan. 1, 2017; 6 pgs.; https://www.google.com/search?q=Honeywell+International+building+controller+before%3A2017-01-01&tbm=isch&ved=2ahUKEwj70K6EsZDoAhWJBN8KHbFPB1sQ2-cCegQIABAA&oeq=Honeywell+International+building+controller+before%3A2017-01-01&gs_l=img.3...378229.396120..397891...6.*
(Continued)

Primary Examiner — Selina Sikder
(74) *Attorney, Agent, or Firm* — Seager, Tufte & Wickhem, LLP

(57) **CLAIM**

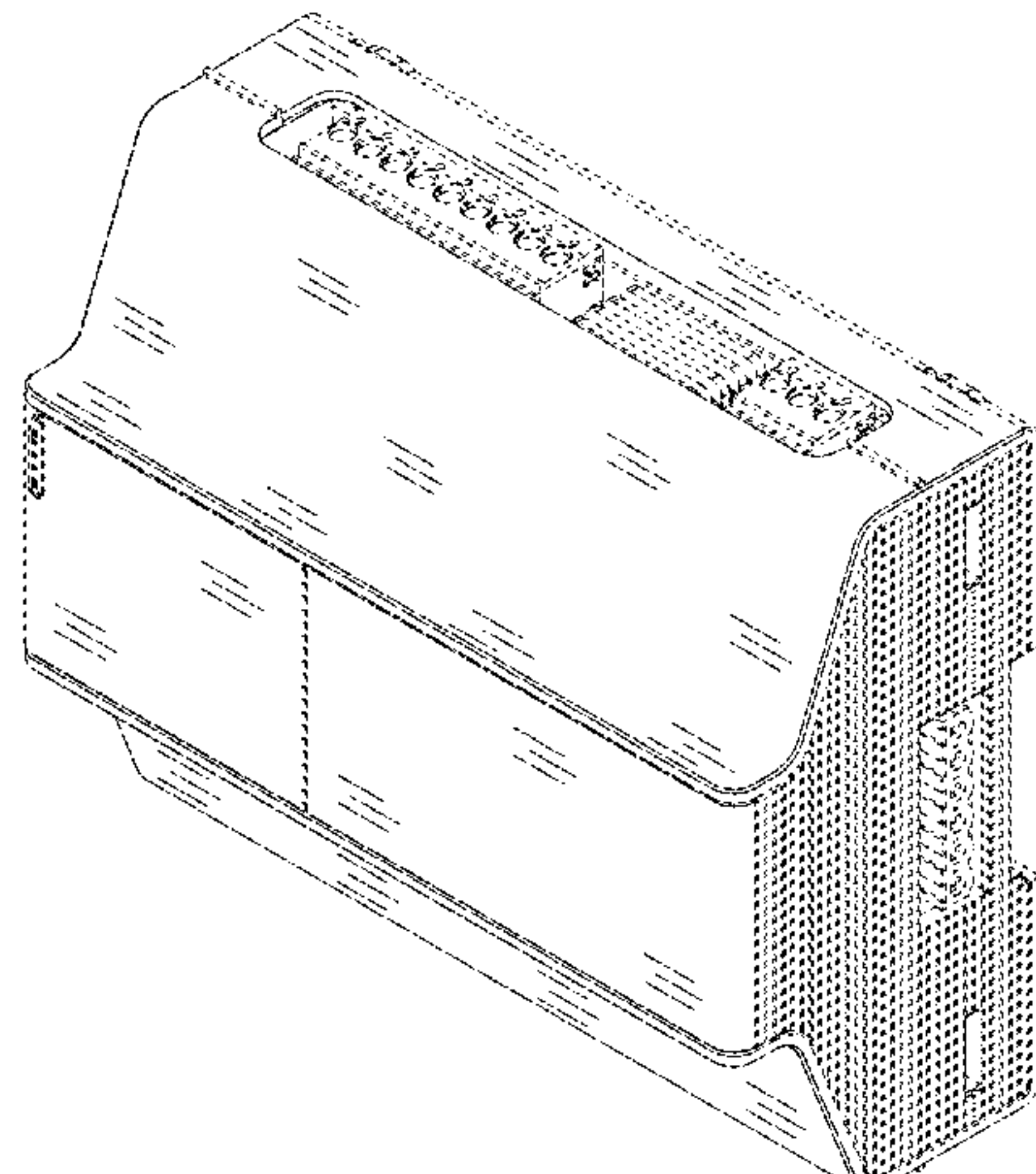
The ornamental design for a building controller, as shown and described.

DESCRIPTION

FIG. 1 is a perspective view of a building controller; FIG. 2 is a front side view of the building controller of FIG. 1; FIG. 3 is a left side view of the building controller of FIG. 1; FIG. 4 is a right side view of the building controller of FIG. 1; FIG. 5 is a top side view of the building controller of FIG. 1; and, FIG. 6 is a bottom side view of the building controller of FIG. 1.

In the drawings, the claimed design is defined by the shaded surfaces; broken lines immediately adjacent shaded surfaces represent boundaries of the claim and form no part thereof;
(Continued)

(56) **References Cited**
U.S. PATENT DOCUMENTS
D400,180 S * 10/1998 Shimizu D13/162.1
D578,029 S 10/2008 Plewa
D596,963 S 7/2009 Novotny et al.



all other broken lines depict unclaimed environmental subject matter and form no part of the claim.

1 Claim, 6 Drawing Sheets

D793,967 S *	8/2017	Leeland	D10/50
D815,606 S *	4/2018	Nada	D13/162.1
D828,816 S	9/2018	Spors et al.	
D865,731 S *	11/2019	Sun	D14/240
D873,269 S *	1/2020	Hu	D14/358

OTHER PUBLICATIONS

(56)

References Cited

U.S. PATENT DOCUMENTS

D678,084 S	3/2013	Beland et al.	
D705,223 S	5/2014	Akana et al.	
D720,633 S	1/2015	Novotny et al.	
D735,667 S	8/2015	Mielnik et al.	
D758,365 S *	6/2016	Shimano	D14/358
D762,842 S	8/2016	Kokeny et al.	
D765,031 S	8/2016	Mielnik et al.	
D768,585 S *	10/2016	Moore	D13/184
D774,005 S	12/2016	Ye et al.	
D792,353 S *	7/2017	Yoshida	D13/162

JACE-8000 Controller (12977) Mounting and Wiring Guide, Dec. 12, 2015; 10 pages.*
 “Building Controller—Google Search,” Google, 34 pages, accessed Dec. 28, 2018.
 “Building Controller Honeywell—Google Search,” Google, 34 pages, accessed Dec. 28, 2018.
 “Advantech Introduces New Direct Digital Controller with Integrated BACNet Router-BAS-3500BC,” Advantech, 1 page, Dec. 2012.
 “Advantech Launches Full-Featured Building Automation Controller Series,” Design World Staff, 9 pages, Jan. 28, 2009.

* cited by examiner

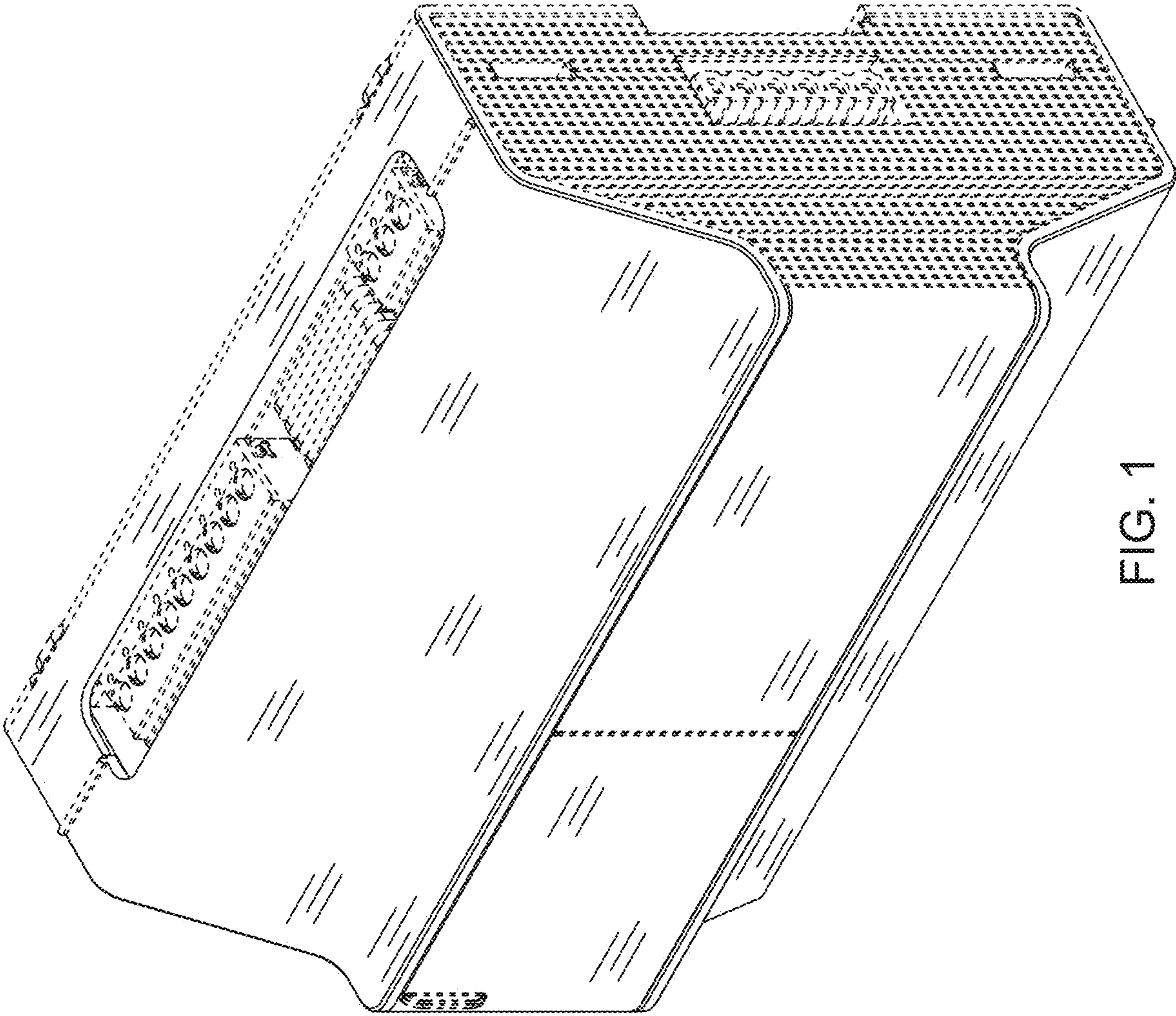


FIG. 1

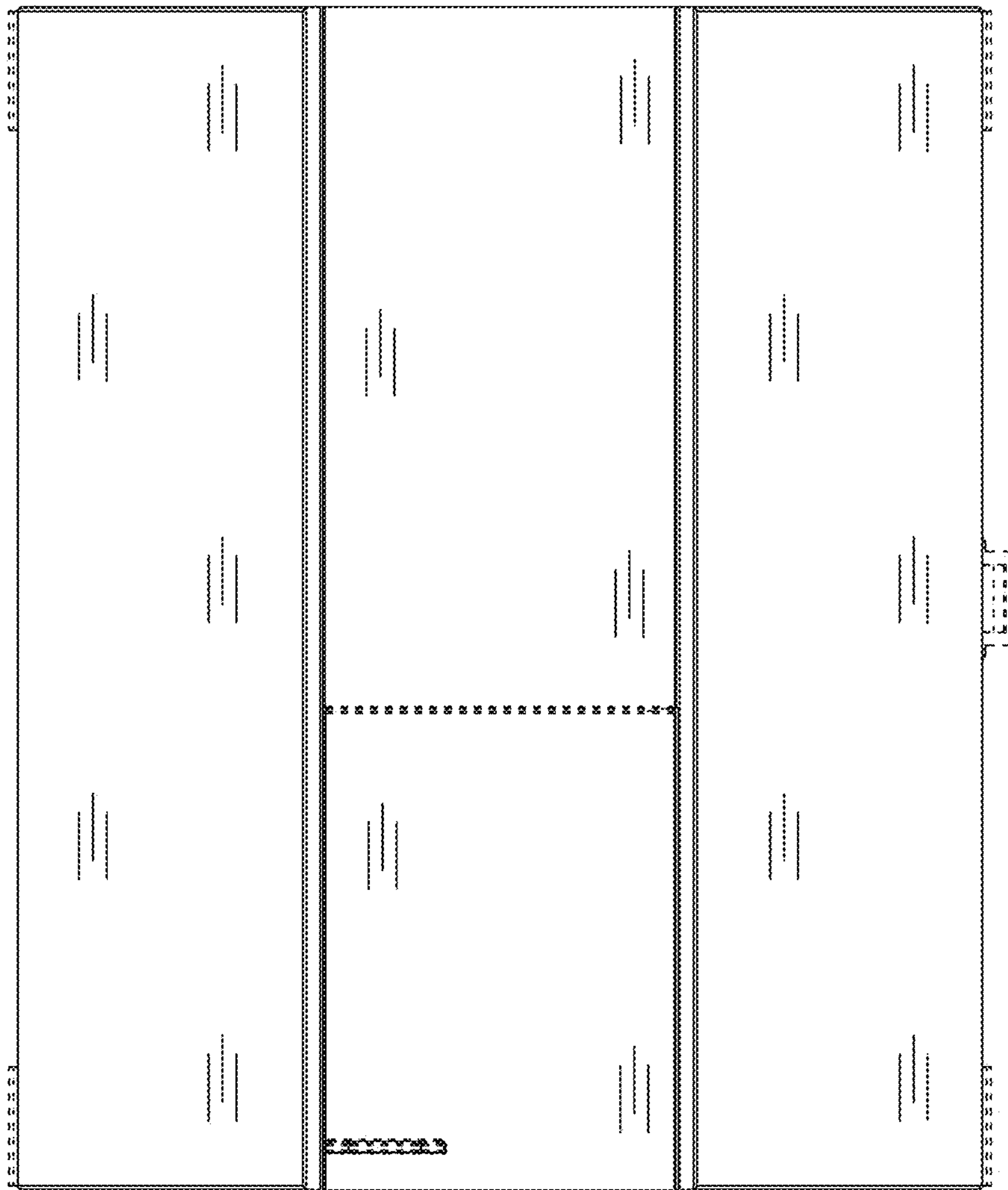


FIG. 2

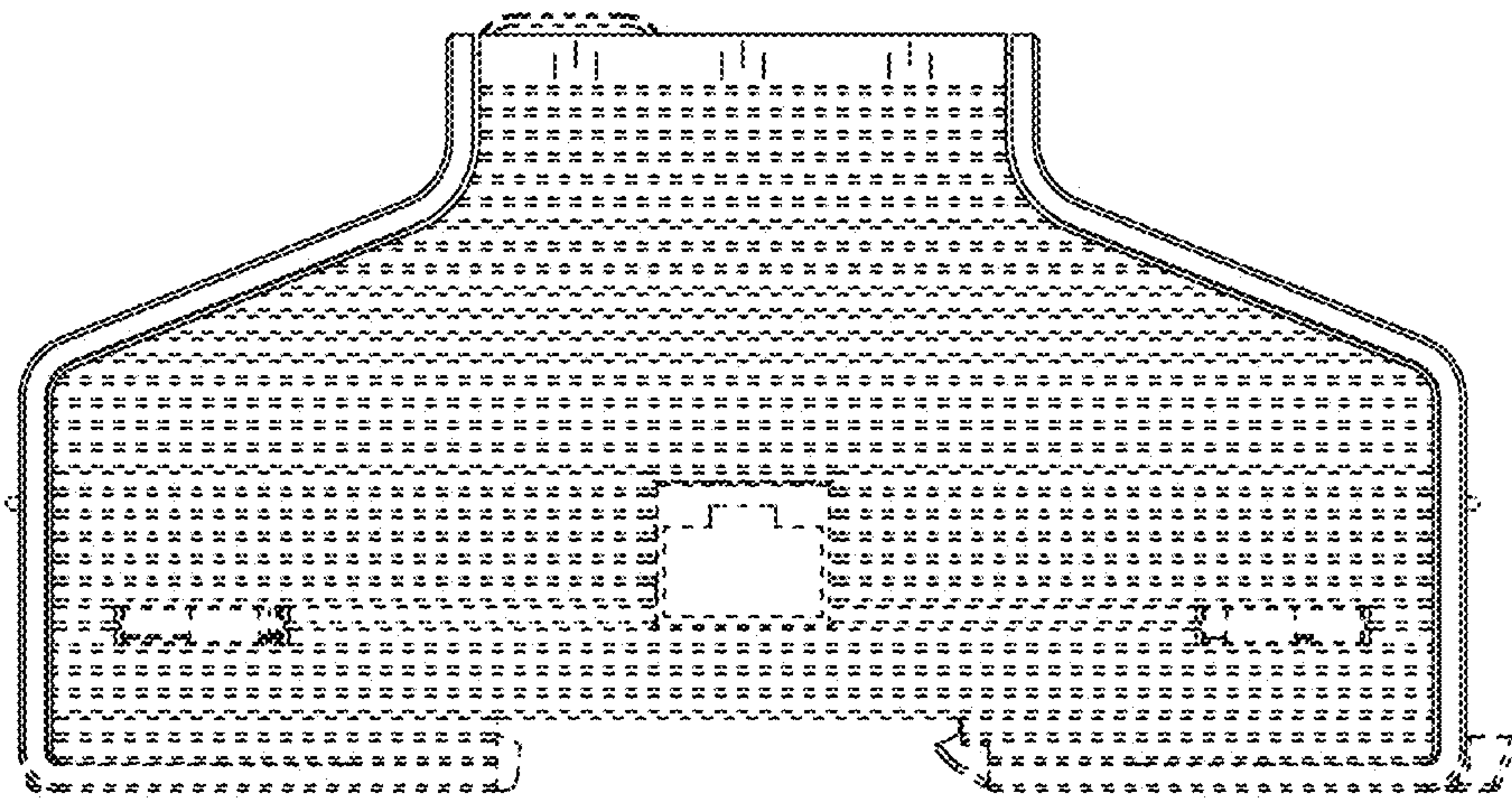


FIG. 3

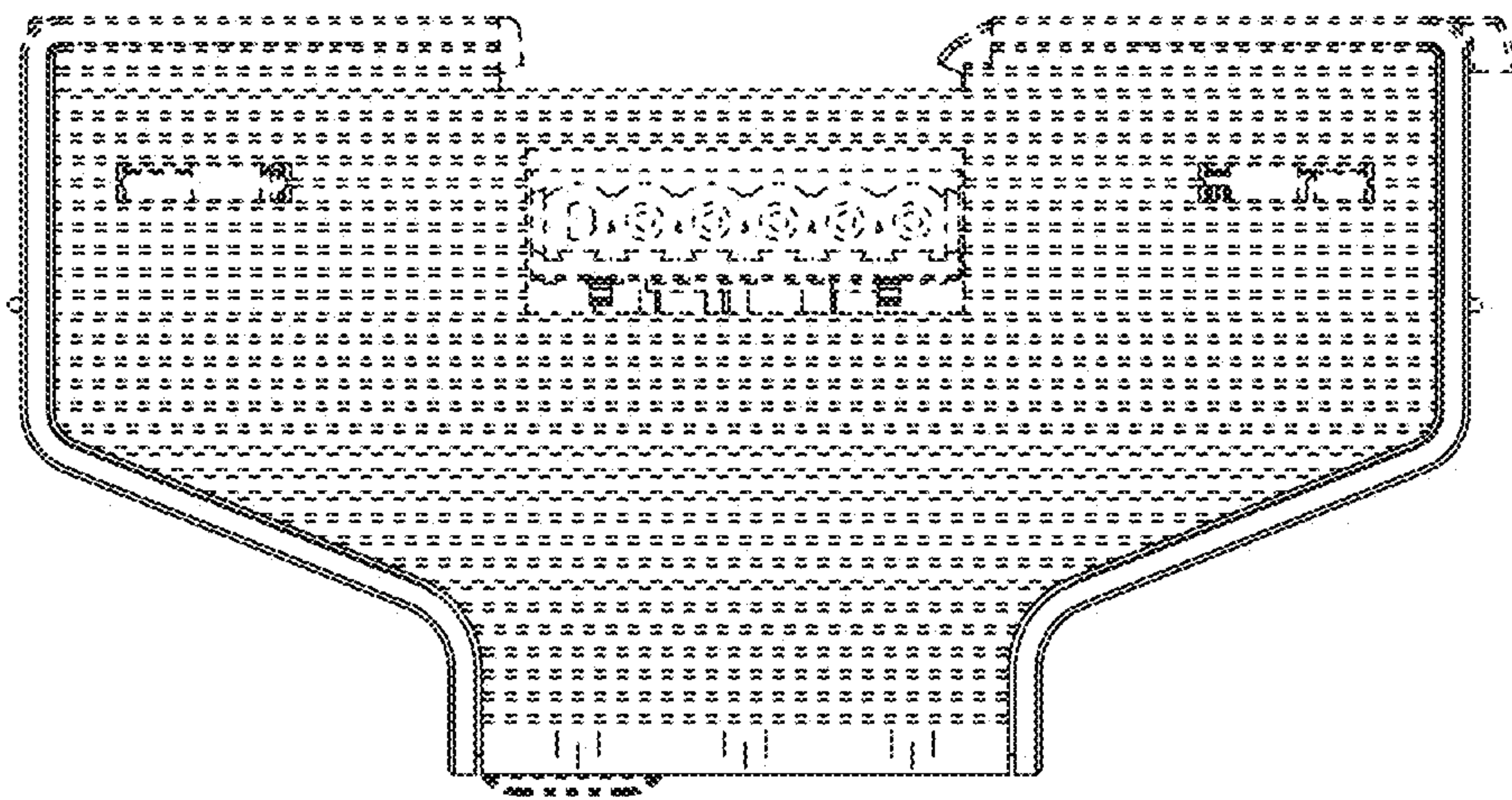


FIG. 4

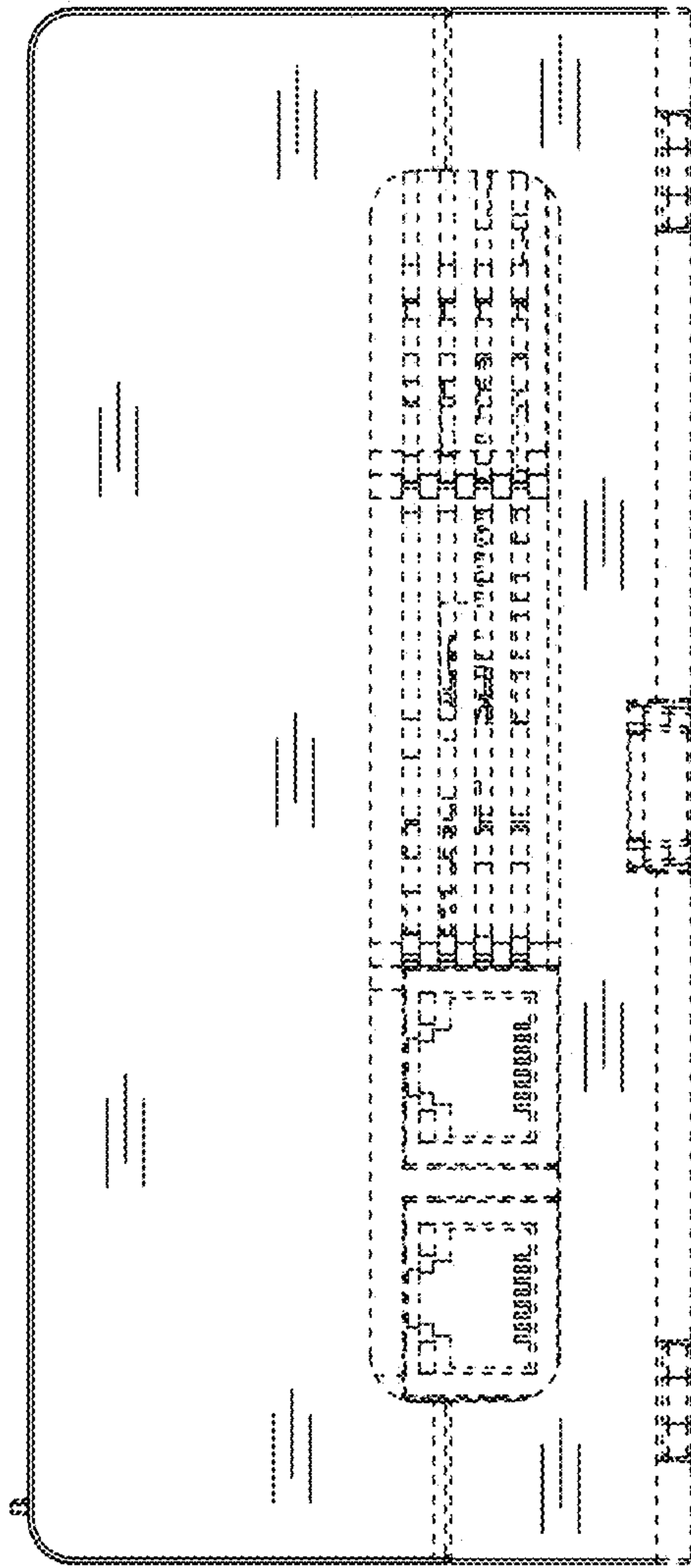


FIG. 6