



US00D918900S

(12) **United States Design Patent** (10) **Patent No.:** **US D918,900 S**
Lin (45) **Date of Patent:** **** May 11, 2021**

(54) **CONVERTER**
(71) Applicant: **ShenZhen FuXin Industrial Co., Ltd,**
Shenzhen (CN)
(72) Inventor: **Shubin Lin,** Neijiang (CN)
(**) Term: **15 Years**
(21) Appl. No.: **29/745,615**

6,321,340 B1 * 11/2001 Shin G06F 1/1632
713/310
D454,873 S * 3/2002 Clark D14/358
D469,404 S * 1/2003 Gershfeld D13/139.4
D472,213 S * 3/2003 Byrne D13/139.4
D479,238 S * 9/2003 Brown D14/357
D559,848 S * 1/2008 Siu D14/433
D571,788 S * 6/2008 King, Jr. D14/217
D573,952 S * 7/2008 Schwartz D13/139.1
D608,735 S * 1/2010 Kashimoto
D611,462 S * 3/2010 McGuire D14/240
D628,535 S * 12/2010 Cheng D13/108

(Continued)

(22) Filed: **Aug. 7, 2020**
(51) **LOC (13) Cl.** **14-02**
(52) **U.S. Cl.**

USPC **D14/357**; D14/434; D14/433
(58) **Field of Classification Search**
USPC ... D14/434, 433, 435, 435.1, 356, 357, 358,
D14/440, 447, 251-253, 432, 451, 452,
D14/454, 217, 240, 299, 496, 171;
D13/103, 107, 108, 184, 110, 123, 133,
D13/135, 137.2, 139.2, 139.4; D21/333
CPC G06F 1/1632; G06F 13/00; G06F 13/38;
G06F 13/382; G06F 13/385; G06F
13/387; G06F 3/065; G06F 9/541; G06F
2213/3814; G06F 2213/40; G06F
2213/4004; H01R 31/06; H01R 31/065;
H01R 27/00; H01R 13/512; H01R 13/62;
H04R 5/04
See application file for complete search history.

(56) **References Cited**

U.S. PATENT DOCUMENTS

D194,870 S * 3/1963 Hill D13/139.1
D341,567 S * 11/1993 Acker D13/110
D346,172 S * 4/1994 Fields D14/137
D355,172 S * 2/1995 Hadaegh D14/242
D365,340 S * 12/1995 Hill D14/356
D370,667 S * 6/1996 Chen D14/239
D405,763 S * 2/1999 Crane D13/139.4
D406,145 S * 2/1999 Radakovic D14/242
D441,374 S * 5/2001 Genatossio D14/496

OTHER PUBLICATIONS

Multipurpose—Converter. (Design—© Questel) orbit.com. [online PDF] 8 pgs. Print Dates range May 22, 2018-Jul. 24, 2018 [Retrieved Jan. 5, 2021] <https://www.orbit.com/export/QPTUJ214/pdf2/1601f47b-6114-4e0e-8959-6025922a4877-221304.pdf>.*

(Continued)

Primary Examiner — Marie D. Fast Horse

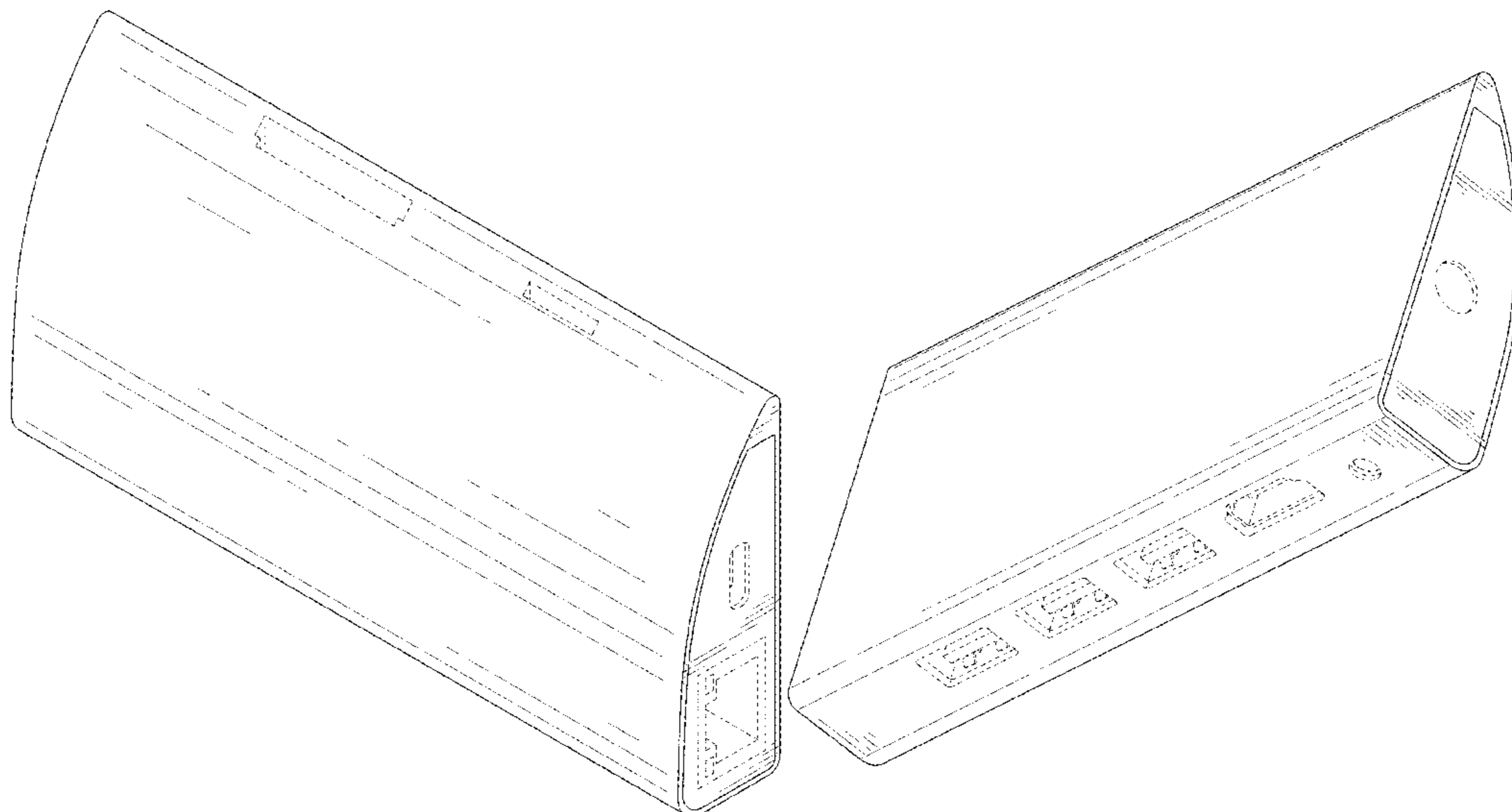
(57) **CLAIM**

The ornamental design for a converter, as shown and described.

DESCRIPTION

FIG. 1 is a first perspective view of a converter showing my new design;
FIG. 2 is a second perspective view thereof;
FIG. 3 is a front view thereof;
FIG. 4 is a back view thereof;
FIG. 5 is a left side view thereof;
FIG. 6 is a right side view thereof;
FIG. 7 is a top view thereof; and,
FIG. 8 is a bottom view thereof.
The broken lines shown in the drawings depict portions of the converter in which the design is embodied that form no part of the claimed design.

1 Claim, 8 Drawing Sheets



(56)

References Cited

U.S. PATENT DOCUMENTS

D636,407 S * 4/2011 Lee D14/496
 D637,983 S * 5/2011 Kim D14/125
 D670,291 S * 11/2012 Dalton B25C 7/00
 D678,286 S * 3/2013 Cheng D14/433
 D682,247 S * 5/2013 Tanaka D14/155
 D689,858 S * 9/2013 Lo D14/357
 D692,024 S * 10/2013 Seong D14/496
 D696,195 S * 12/2013 Wen D13/110
 D711,884 S * 8/2014 Turksu D14/433
 D719,091 S * 12/2014 Leddusire D13/110
 D720,691 S * 1/2015 Lo D13/110
 D750,083 S * 2/2016 Chow D14/434
 D788,112 S * 5/2017 Liao D14/433
 D791,138 S * 7/2017 Eliyahu D14/435.1
 D798,812 S 10/2017 Xu
 D800,730 S * 10/2017 Liao D14/433
 D829,197 S * 9/2018 Barnum D14/240
 D844,008 S * 3/2019 Yamazaki D14/434
 D854,019 S * 7/2019 Liao D14/434
 D855,616 S * 8/2019 Chin D14/433
 D856,278 S * 8/2019 Turksu D13/108
 D862,385 S * 10/2019 Turksu D13/108
 D869,467 S * 12/2019 Lin D14/434
 D874,462 S * 2/2020 Chin D14/433

D879,715 S 3/2020 Brendel et al.
 D879,779 S * 3/2020 Liao D14/433
 D879,780 S * 3/2020 Liao D14/433
 D880,483 S * 4/2020 Fan D14/433
 D882,577 S * 4/2020 Liao D14/433
 D885,391 S * 5/2020 Chin D14/433
 D886,826 S * 6/2020 Zhan D14/433
 D889,469 S * 7/2020 Zhang D14/433
 D889,470 S * 7/2020 Zhang D14/433
 D900,104 S * 10/2020 Liao D14/433
 D902,152 S * 11/2020 Liao D13/110
 D903,682 S * 12/2020 Zhang D14/433
 D905,064 S * 12/2020 Liu D14/434
 2006/0250767 A1 * 11/2006 Brophy G06F 1/1632
 361/679.45
 2016/0173678 A1 * 6/2016 DeCamp G06F 1/266
 455/557
 2019/0284843 A1 * 9/2019 Weng E05B 73/0082

OTHER PUBLICATIONS

Thunderbolt 3 USB C Hub. (Online) 3 pgs . . . [retrieved Jan. 5, 2021] <https://www.globalsources.com/USB-C-hub/USB-hub-usb-c-hub-usb-3-0-hub-usb-type-c-type-c-1169052220p.htm#1169052220>.*

* cited by examiner

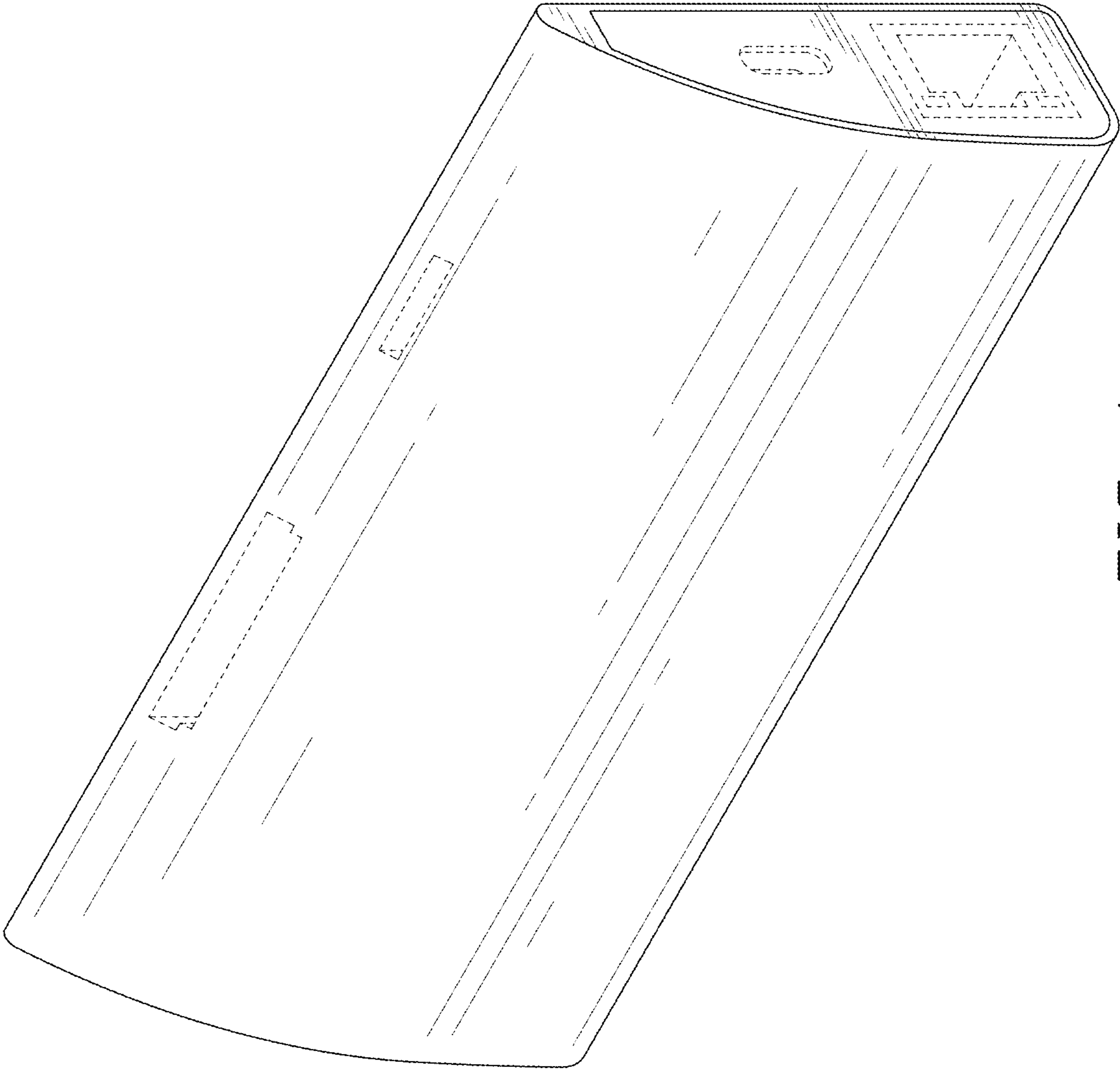


FIG. 1

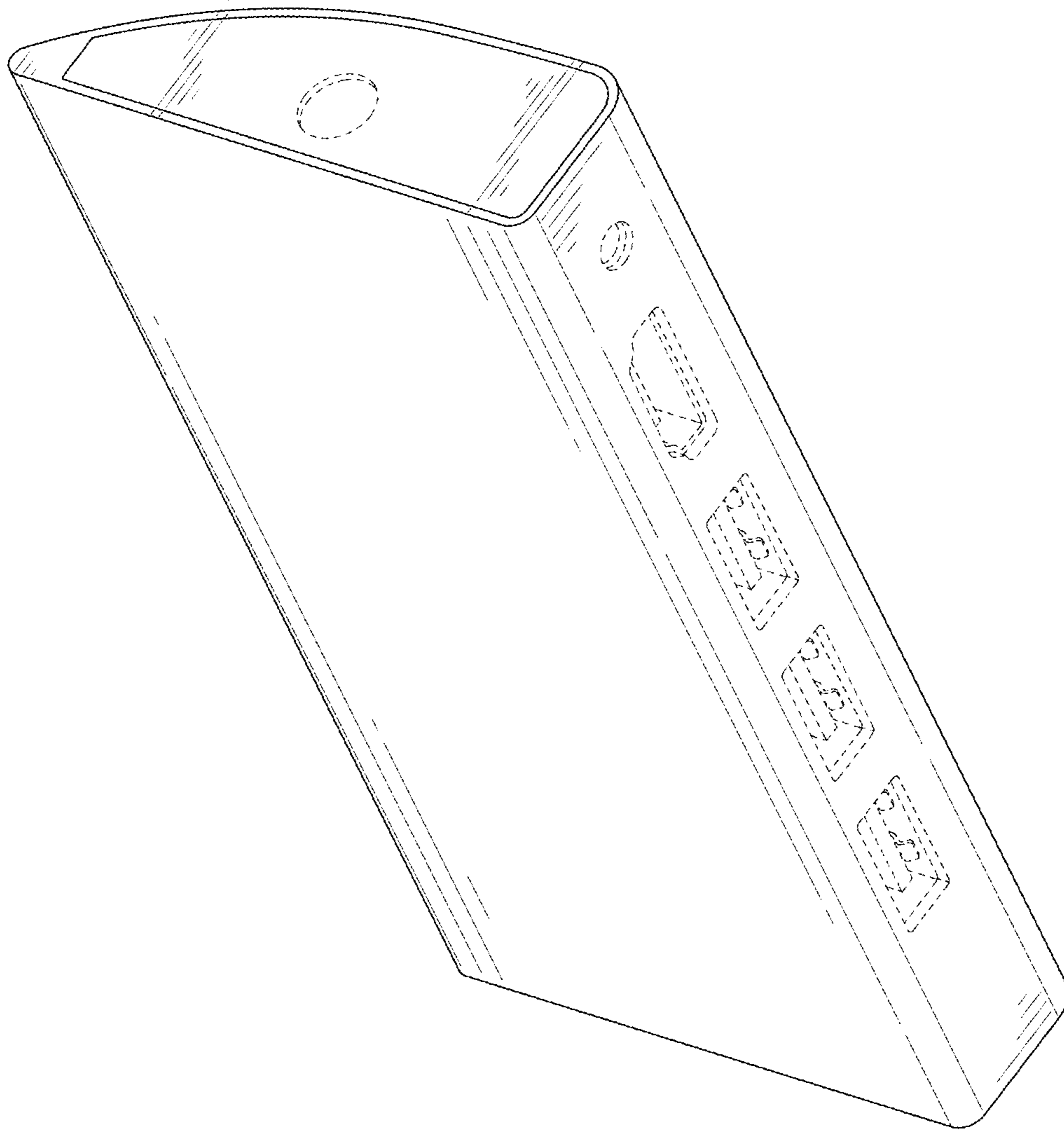


FIG. 2

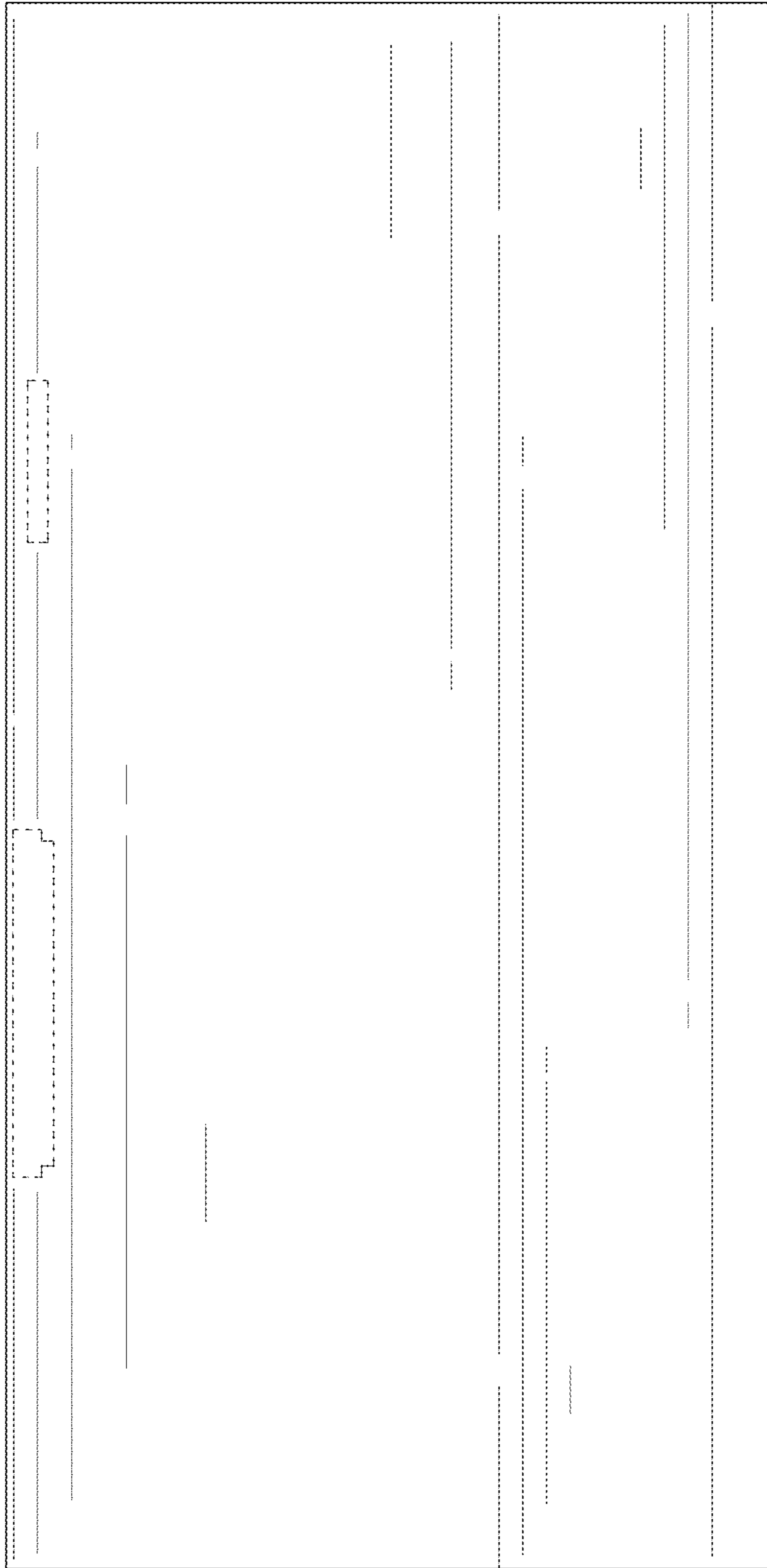


FIG. 3

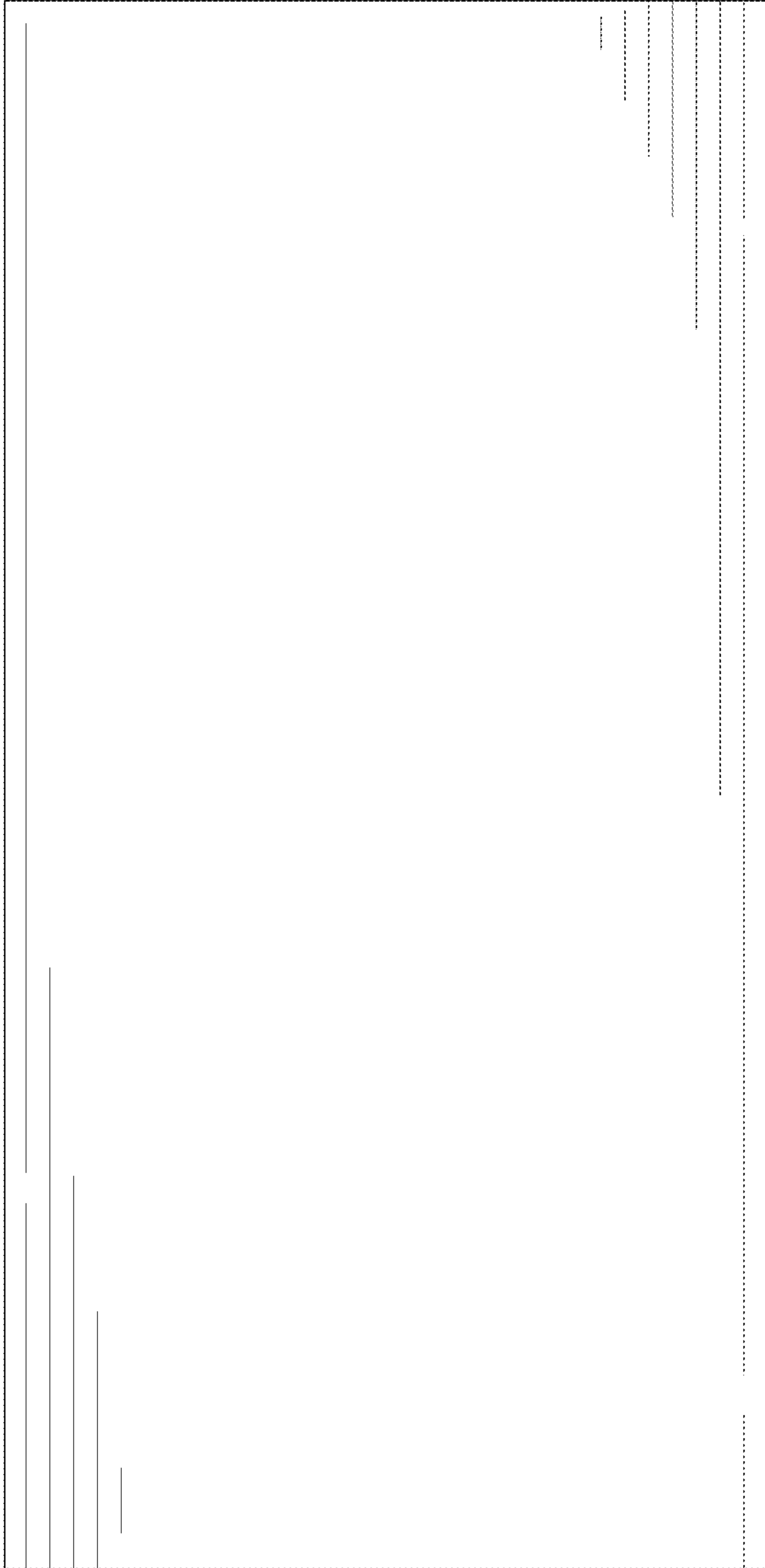


FIG. 4

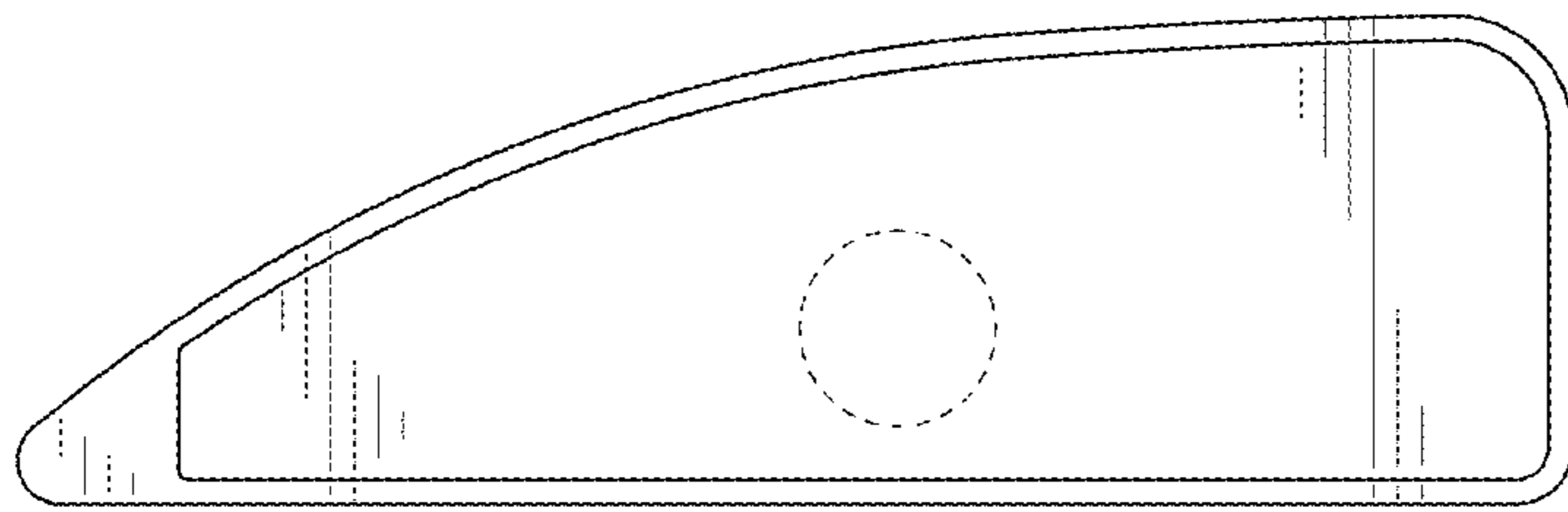


FIG. 5

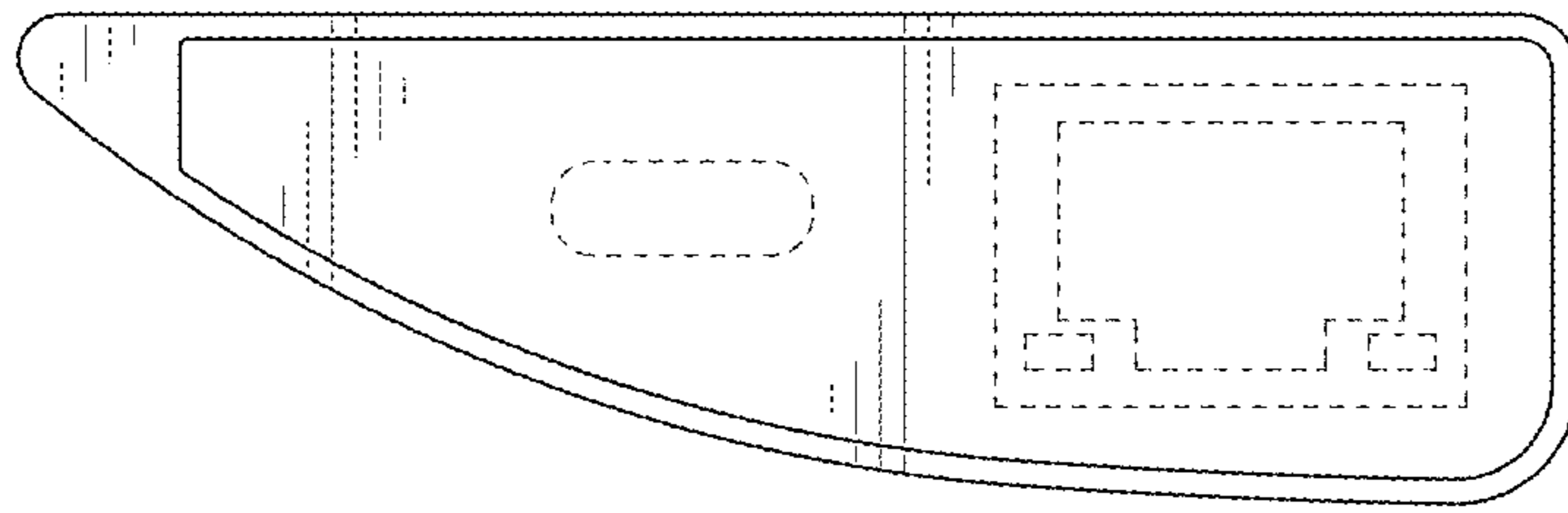


FIG. 6

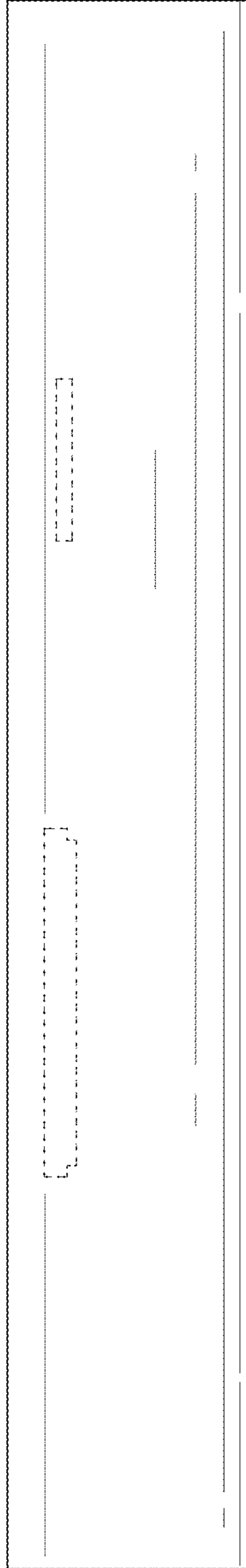


FIG. 7

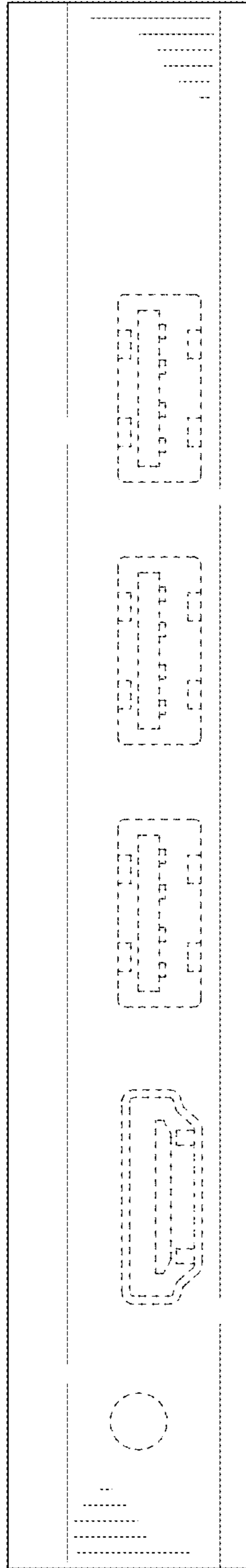


FIG. 8