



US00D918899S

(12) **United States Design Patent** (10) **Patent No.:** **US D918,899 S**  
**Zhu** (45) **Date of Patent:** **\*\* May 11, 2021**

(54) **SMARTWATCH**  
(71) Applicant: **Zhiqiang Zhu**, Shenzhen (CN)  
(72) Inventor: **Zhiqiang Zhu**, Shenzhen (CN)  
(\*\*) Term: **15 Years**  
(21) Appl. No.: **29/740,234**  
(22) Filed: **Jul. 1, 2020**  
(51) **LOC (13) Cl.** ..... **14-02**  
(52) **U.S. Cl.**  
USPC ..... **D14/344**  
(58) **Field of Classification Search**  
USPC .. D14/138 R, 144, 341, 344, 358, 388, 218;  
D10/30-39, 70, 98; D11/3, 4, 26, 93-94,  
D11/78.1, 79, 86; D24/167, 169,  
D24/186-187, 164  
CPC .... A41D 1/002; A41D 19/0034; G04G 17/00;  
G04G 17/02; G04G 17/08; G04G 17/083;  
G04G 17/086; G04C 3/00; G04C 3/001;  
G04C 3/002; G04C 3/004; G04C 3/005;  
G04C 3/007; G04C 17/00; G04C 23/02;  
G04C 23/04; G04B 3/04; G04B 19/24;  
G04B 19/26; G04B 37/00; G04B  
45/0069; G04B 47/04; G04B 37/0008;  
G04B 37/0058; G04B 37/12; G04B  
37/18; G04B 45/00; G04B 47/00; G04B  
47/042; G04B 47/06; G04B 47/063  
See application file for complete search history.

D861,679 S \* 10/2019 Riot ..... D14/344  
D862,459 S \* 10/2019 Choplin ..... D14/344  
D863,095 S \* 10/2019 Akana ..... D11/3  
D863,296 S \* 10/2019 Kern ..... D14/344  
D864,956 S \* 10/2019 Kern ..... D14/344  
D865,761 S \* 11/2019 Choplin ..... D14/344  
D902,203 S \* 11/2020 Choplin ..... D14/344  
2007/0070823 A1 \* 3/2007 Sima ..... A44C 5/14  
368/282  
2014/0096345 A1 \* 4/2014 Tschumi ..... G04B 37/1486  
24/265 B

**OTHER PUBLICATIONS**

Fitbit Inspire HR Heart Rate and Fitness Tracker, posted Mar. 7, 2019, [retrieved Sep. 30, 2020]. Retrieved from Internet, <URL: <https://www.amazon.com/Fitbit-Inspire-Fitness-Tracker-included/dp/B07MSYTQNM> >.\*

\* cited by examiner

*Primary Examiner* — Sheryl Lane  
*Assistant Examiner* — Calvin E Vansant

(57) **CLAIM**

The ornamental design for a smartwatch, as shown and described.

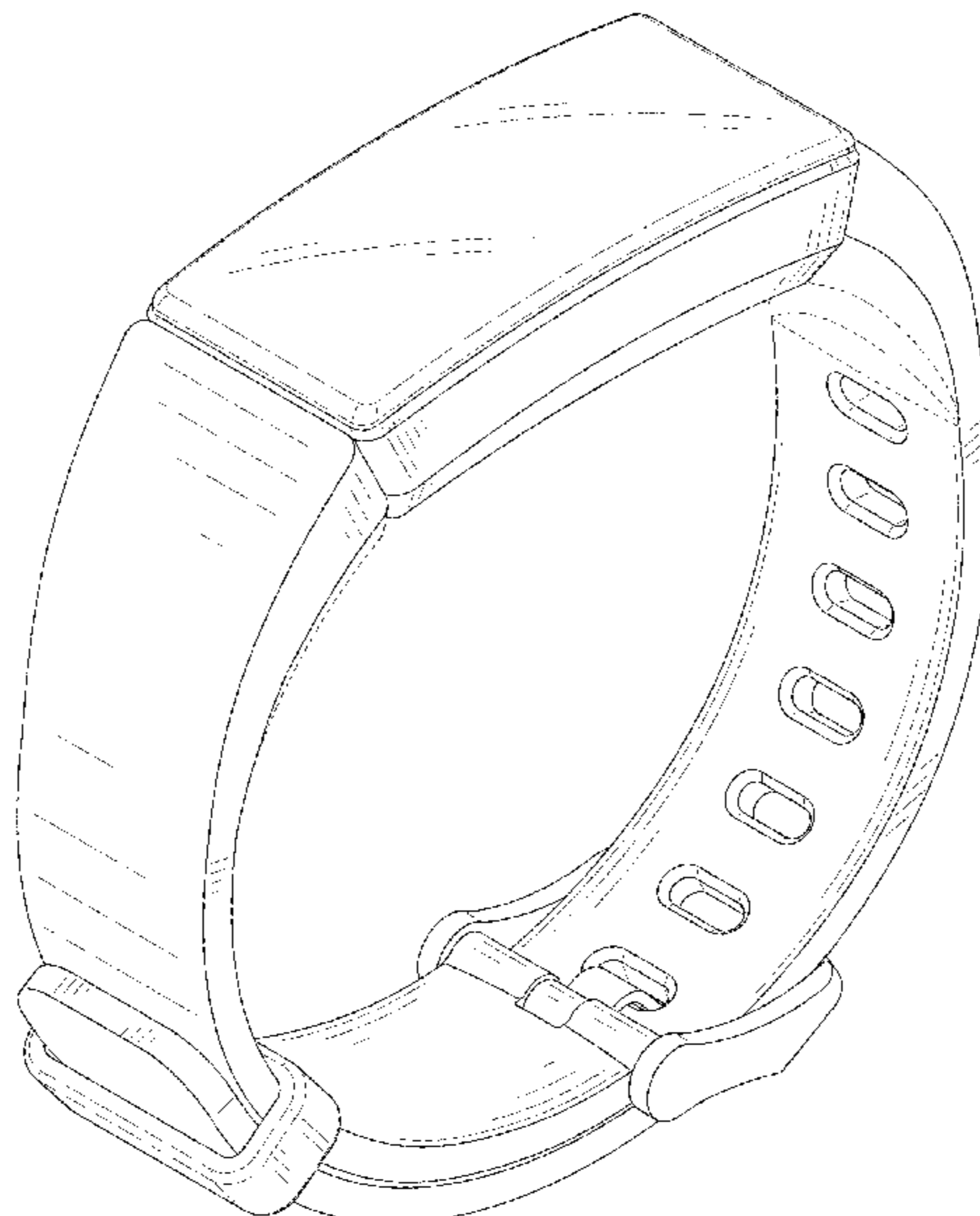
**DESCRIPTION**

FIG. 1 is a perspective view of a smartwatch showing my new design;  
FIG. 2 is another perspective view thereof;  
FIG. 3 is a front elevational view thereof;  
FIG. 4 is a rear elevational view thereof;  
FIG. 5 is a left side elevational view thereof;  
FIG. 6 is a right side elevational view thereof;  
FIG. 7 is a top plan view thereof; and,  
FIG. 8 is a bottom plan view thereof.  
The broken lines in the drawings depict portions of the smartwatch that form no part of the claimed design.

**1 Claim, 8 Drawing Sheets**

(56) **References Cited**  
U.S. PATENT DOCUMENTS

D751,067 S 3/2016 Nousiainen  
D786,861 S 5/2017 Pu  
D850,317 S \* 6/2019 Hinds ..... D11/3  
D858,517 S \* 9/2019 Kern ..... D14/344  
D860,037 S \* 9/2019 Vandebussche ..... D11/94  
D860,989 S \* 9/2019 Choplin ..... D14/344  
D861,678 S \* 10/2019 Kern ..... D14/344



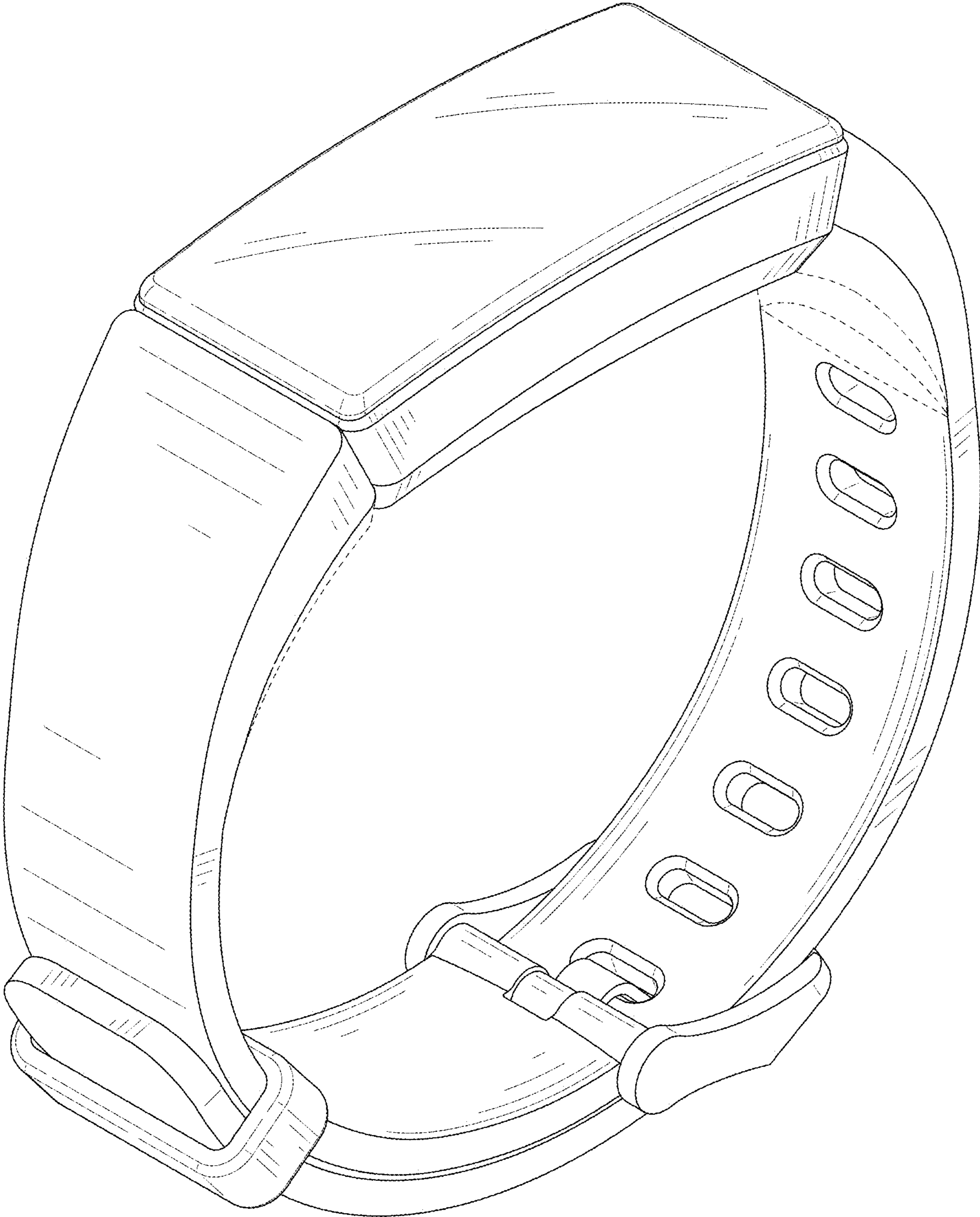


FIG. 1

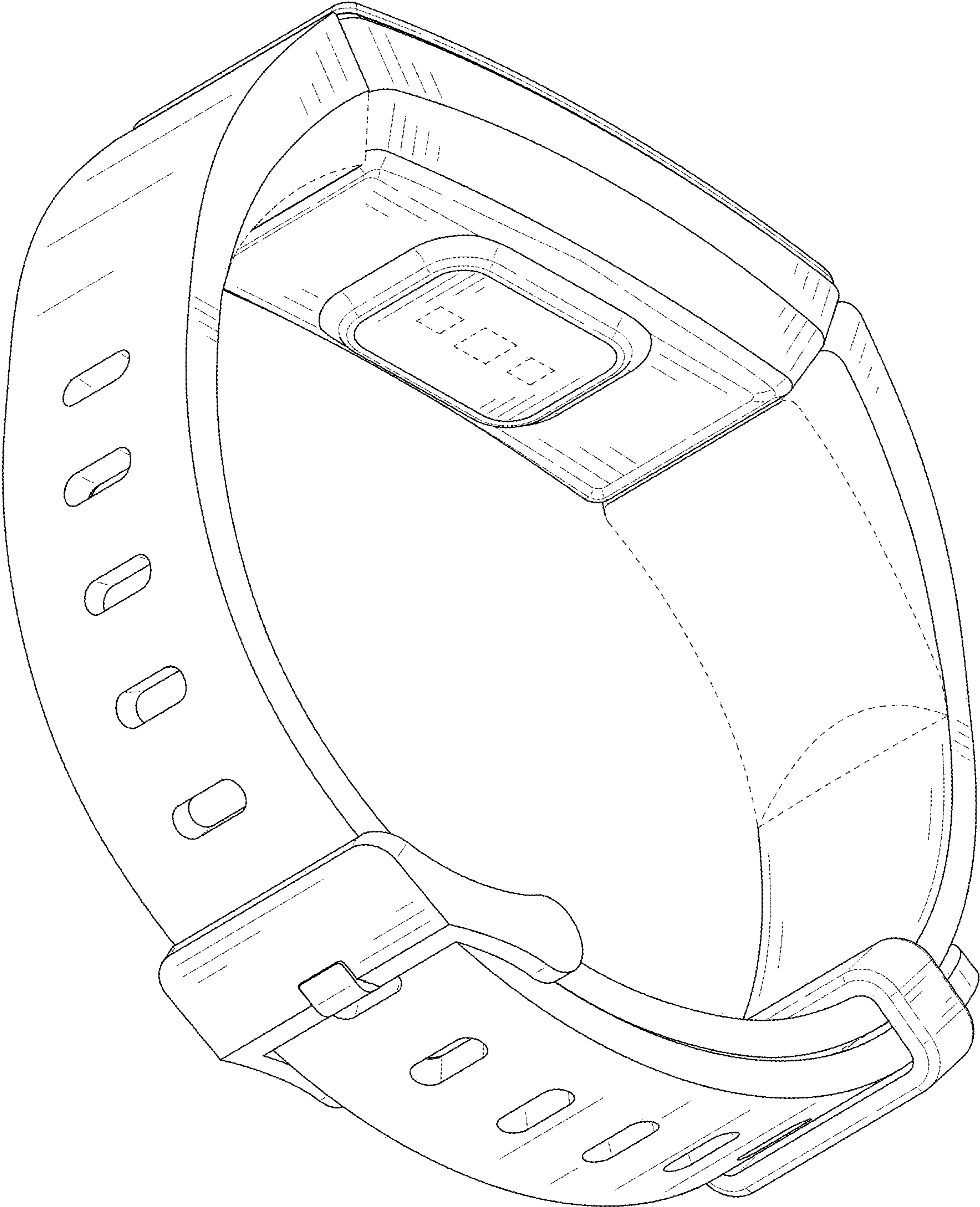


FIG. 2

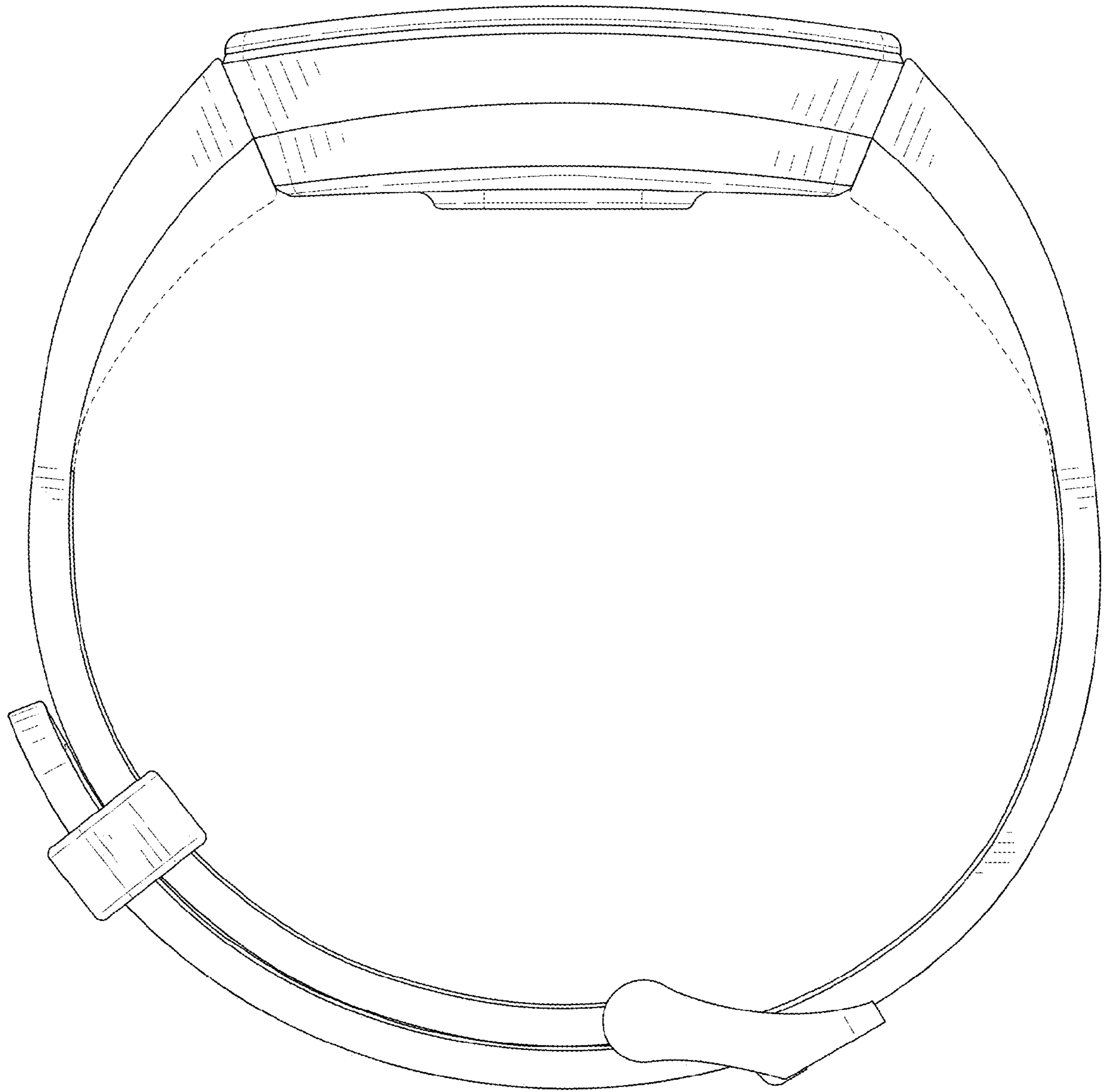


FIG. 3

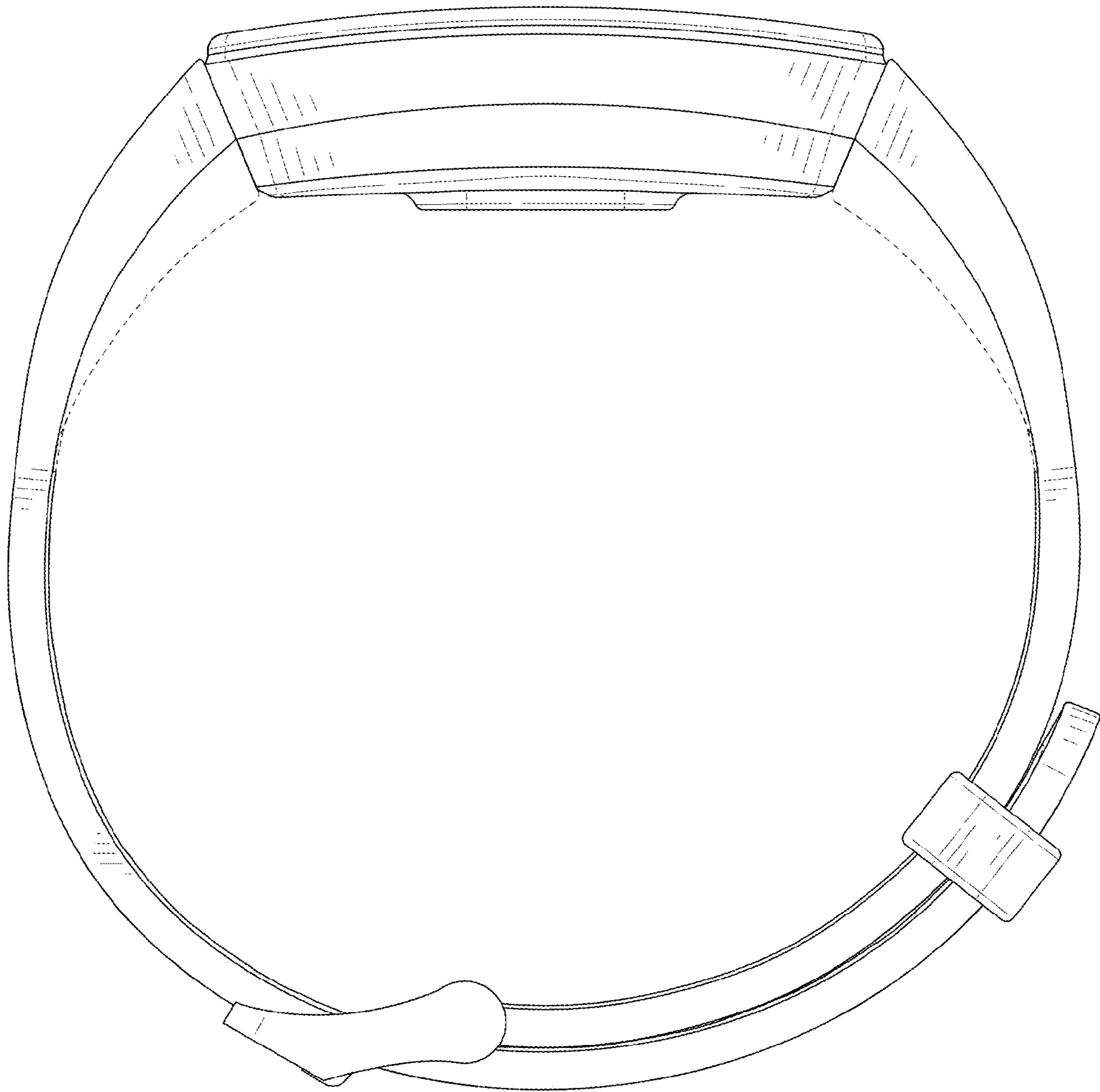


FIG. 4

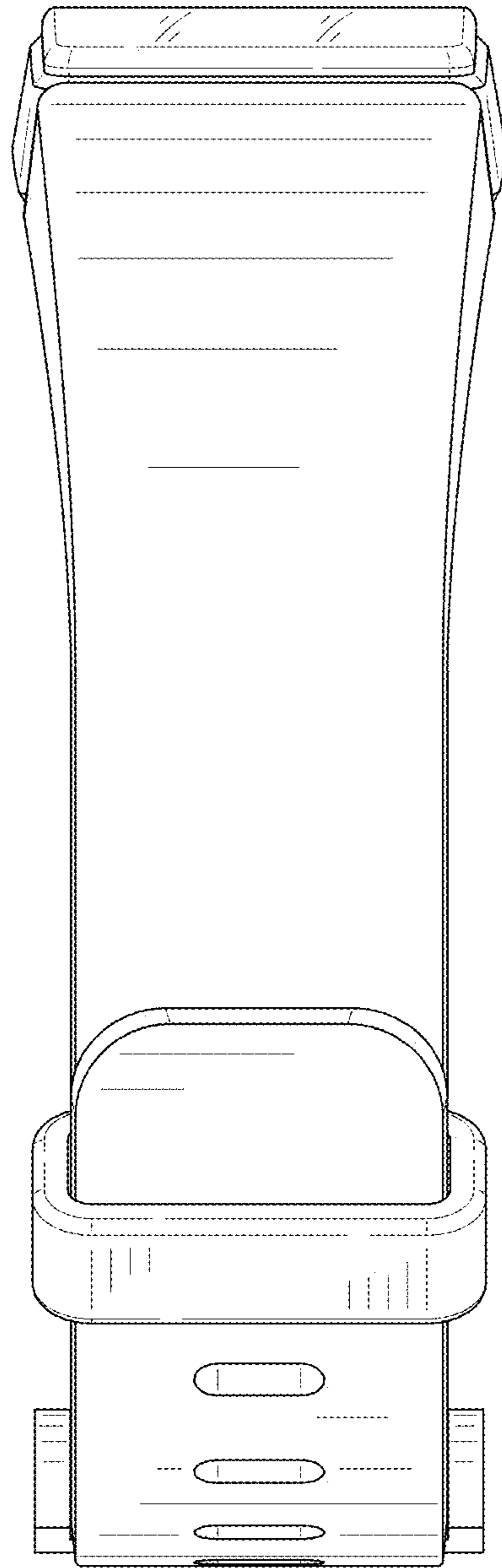


FIG. 5

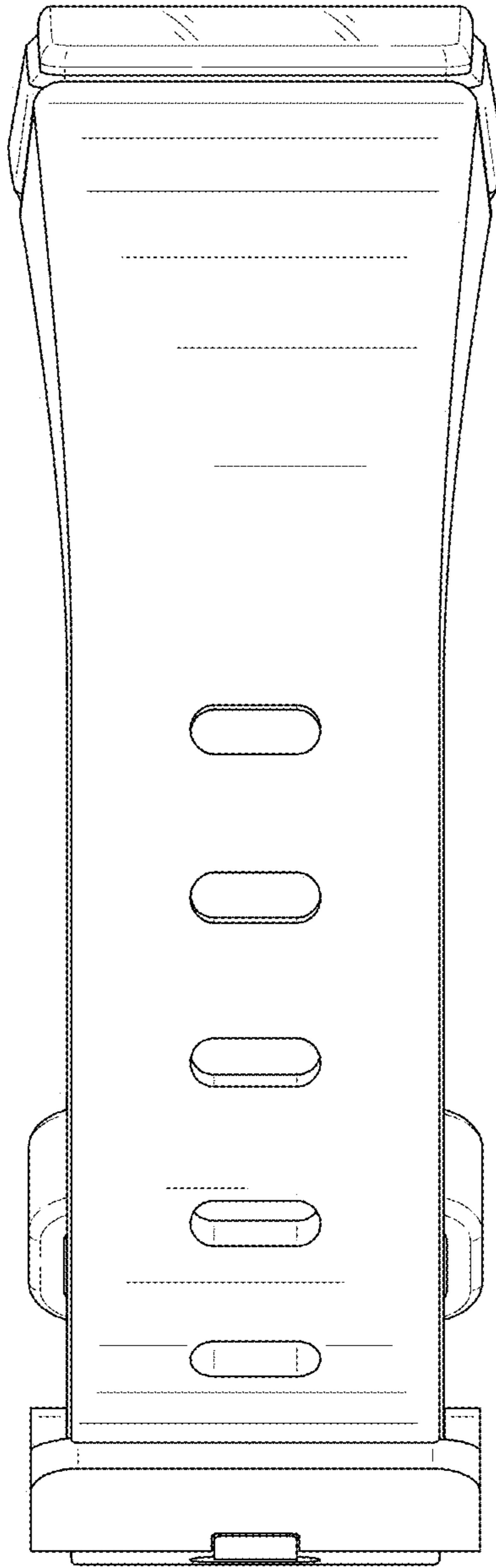


FIG. 6

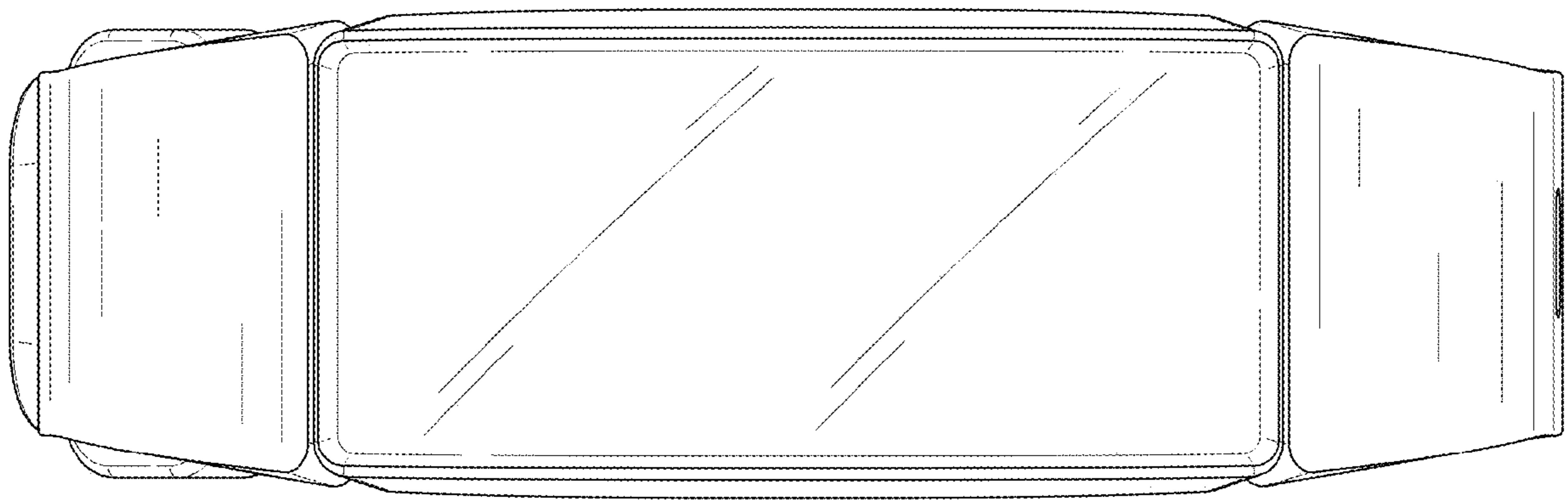


FIG. 7



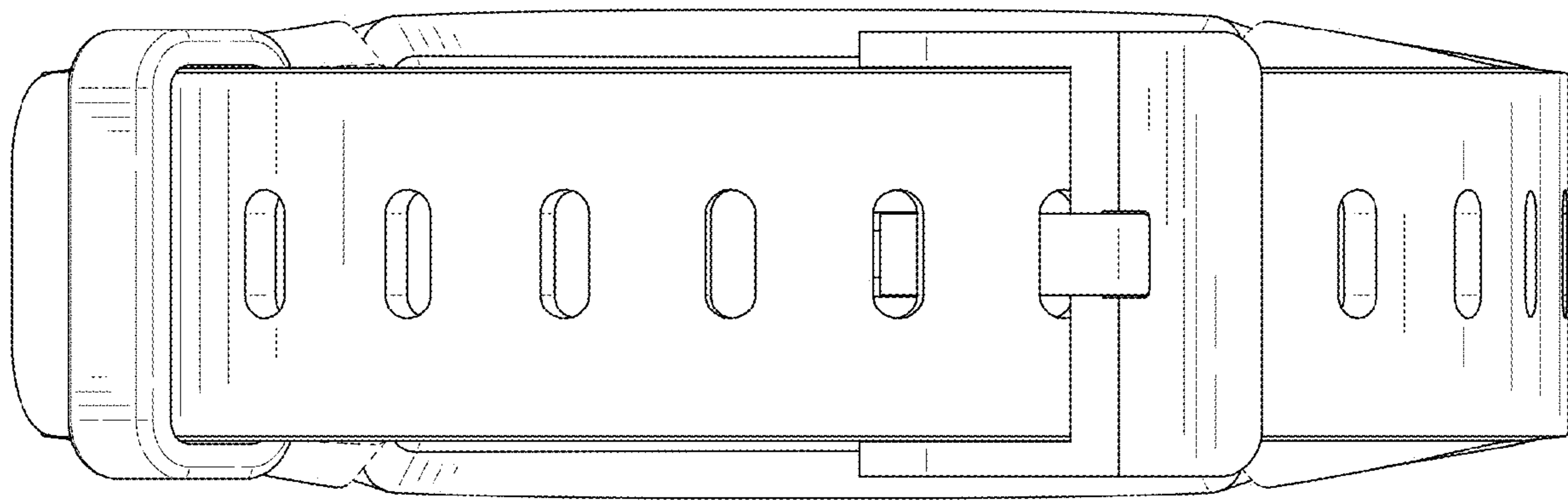


FIG. 8