



US00D918897S

(12) **United States Design Patent** (10) **Patent No.:** **US D918,897 S**
Andre et al. (45) **Date of Patent:** **** May 11, 2021**

(54) **ELECTRONIC DEVICE**

(56) **References Cited**

(71) Applicant: **Apple Inc.**, Cupertino, CA (US)

U.S. PATENT DOCUMENTS

(72) Inventors: **Bartley K. Andre**, Palo Alto, CA (US); **Daniel J. Coster**, San Francisco, CA (US); **Daniele De Iulii**, San Francisco, CA (US); **Richard P. Howarth**, San Francisco, CA (US); **Jonathan P. Ive**, San Francisco, CA (US); **Steven P. Jobs**, Palo Alto, CA (US); **Duncan Robert Kerr**, San Francisco, CA (US); **Shin Nishibori**, Kailua, HI (US); **Matthew Dean Rohrbach**, San Francisco, CA (US); **Douglas B. Satzger**, Menlo Park, CA (US); **Calvin Q. Seid**, Palo Alto, CA (US); **Christopher J. Stringer**, Woodside, CA (US); **Eugene Antony Whang**, San Francisco, CA (US); **Rico Zörkendörfer**, San Francisco, CA (US)

2,424,630 A 7/1947 Perez
D262,151 S 12/1981 Sussman
(Continued)

FOREIGN PATENT DOCUMENTS

CA 72548 5/1993
CA 101263 1/2004
(Continued)

OTHER PUBLICATIONS

Samsung F700, announced Feb. 2007, [online], [retrieved on Feb. 8, 2007]. Retrieved from Internet, <URL:http://www.gsmarena.com>.

(Continued)

Primary Examiner — Michelle E. Wilson

Assistant Examiner — Clese Moore, Jr.

(74) *Attorney, Agent, or Firm* — Sterne, Kessler, Goldstein & Fox P.L.L.C.

(73) Assignee: **Apple Inc.**, Cupertino, CA (US)

(**) Term: **15 Years**

(57) **CLAIM**

(21) Appl. No.: **29/670,578**

The ornamental design of an electronic device, as shown and described.

(22) Filed: **Nov. 16, 2018**

DESCRIPTION

Related U.S. Application Data

(60) Continuation of application No. 29/480,382, filed on Jan. 24, 2014, now Pat. No. Des. 834,013, which is a (Continued)

(51) **LOC (13) Cl.** **14-02**

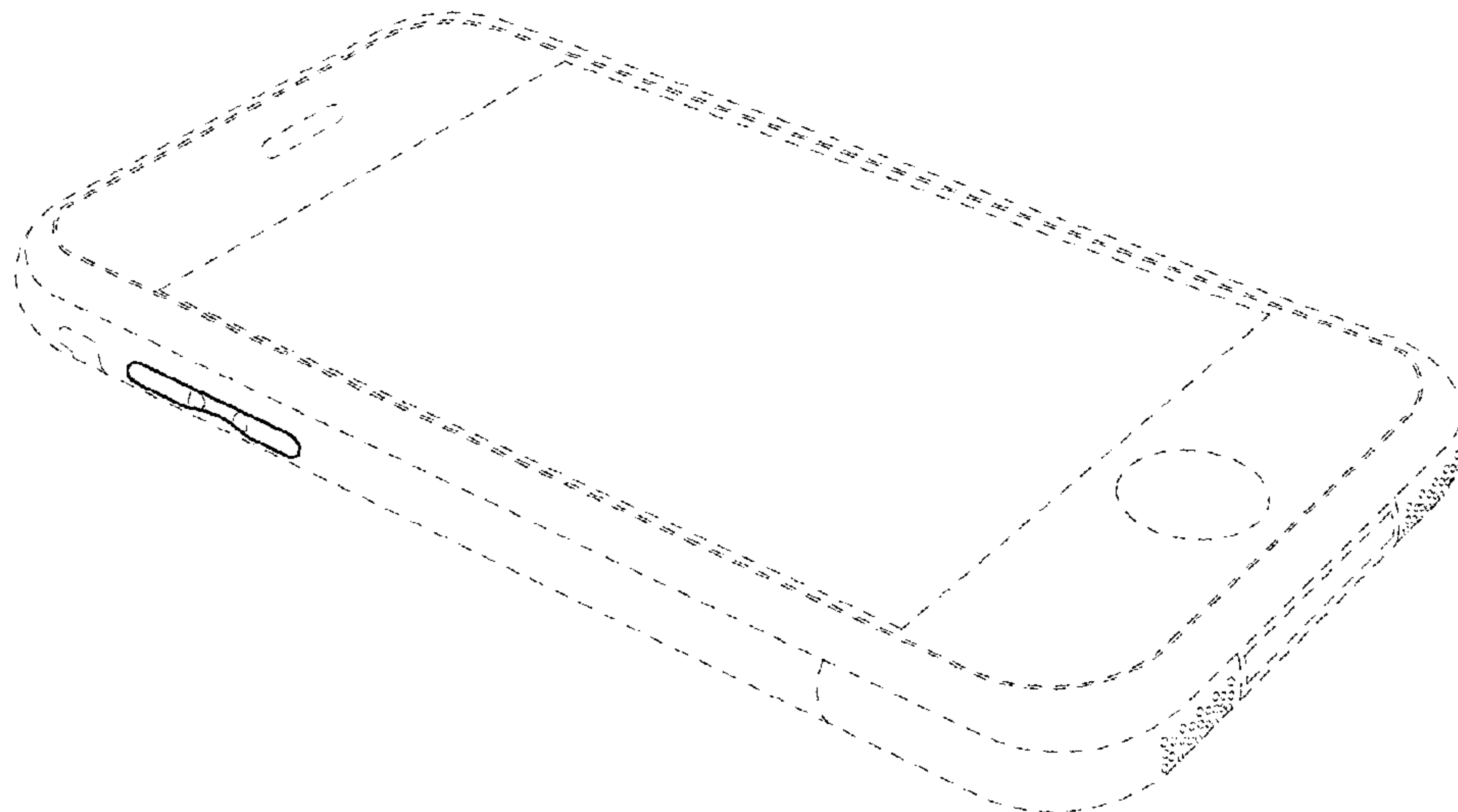
(52) **U.S. Cl.**
USPC **D14/341**

(58) **Field of Classification Search**
USPC D14/341–347, 137, 138 R, 138 AA, 147, D14/138 G, 138 AD, 138 AB, 248,
(Continued)

FIG. 1 is a front perspective view of an electronic device showing the claimed design;
FIG. 2 is a rear perspective view thereof;
FIG. 3 is a front view thereof;
FIG. 4 is a rear view thereof;
FIG. 5 is a top view thereof;
FIG. 6 is bottom view thereof;
FIG. 7 is a left side view thereof; and,
FIG. 8 is a right side view thereof.

The broken lines in the various figures show portions of the electronic device that form no part of the claimed design.

1 Claim, 2 Drawing Sheets



Related U.S. Application Data

continuation of application No. 29/364,661, filed on Jun. 25, 2010, now Pat. No. Des. 698,352, which is a continuation of application No. 29/328,018, filed on Nov. 18, 2008, now Pat. No. Des. 618,677, which is a division of application No. 29/282,834, filed on Jul. 30, 2007, now Pat. No. Des. 581,922, which is a continuation of application No. 29/270,888, filed on Jan. 5, 2007, now Pat. No. Des. 558,758, application No. 29/670,578, which is a continuation of application No. 29/635,968, filed on Feb. 5, 2018, now Pat. No. Des. 898,736, which is a continuation of application No. 29/490,408, filed on May 9, 2014, now Pat. No. Des. 809,501, which is a continuation of application No. 29/432,304, filed on Sep. 14, 2012, now Pat. No. Des. 704,701, which is a continuation of application No. 29/403,263, filed on Oct. 4, 2011, now Pat. No. Des. 672,769, which is a continuation of application No. 29/386,066, filed on Feb. 24, 2011, now abandoned, which is a continuation of application No. 29/364,190, filed on Jun. 21, 2010, now Pat. No. Des. 634,319, which is a continuation of application No. 29/332,683, filed on Feb. 23, 2009, now Pat. No. Des. 618,678, which is a division of application No. 29/282,831, filed on Jul. 30, 2007, now abandoned, which is a continuation of application No. 29/270,887, filed on Jan. 5, 2007, now Pat. No. Des. 580,387.

(58) **Field of Classification Search**

USPC D14/138 AC, 250, 315-318, 218, 329, D14/203.1, 203.3, 203.7
 CPC ... G06F 1/1626; H04M 1/027; H04M 1/0202; H04M 1/0279; H04M 1/0235; H04M 1/0237; H04M 1/0239; H04M 1/0266; H04M 1/0295

See application file for complete search history.

(56) **References Cited**

U.S. PATENT DOCUMENTS

D265,326 S 7/1982 Sugiyama
 D270,061 S 8/1983 Ackeret
 D270,062 S 8/1983 Ackeret
 D270,063 S 8/1983 Ackeret
 D270,066 S 8/1983 Ackeret
 D278,276 S 4/1985 Bakic
 D284,084 S 6/1986 Ferrara, Jr.
 D289,873 S 5/1987 Gemmell et al.
 D306,583 S 3/1990 Krolopp et al.
 D308,055 S 5/1990 Tedham et al.
 D317,609 S 6/1991 Wei
 D321,215 S 10/1991 Shamis
 D323,325 S * 1/1992 Seki D14/138 AA
 D332,328 S 1/1993 Lombardi, Jr.
 D333,574 S 3/1993 Ackeret
 D337,322 S 7/1993 Tso
 D337,569 S 7/1993 Kando
 D340,701 S 10/1993 Takeuchi
 D340,917 S 11/1993 Sakaguchi et al.
 D345,346 S 3/1994 Alfonso et al.
 D346,589 S 5/1994 Andros
 D346,793 S 5/1994 Iino et al.
 5,345,543 A 9/1994 Capps et al.
 D355,183 S * 2/1995 Ino D14/138 AA
 5,398,310 A 3/1995 Tchao et al.
 D361,552 S 8/1995 Iino
 D363,271 S * 10/1995 Peterson D14/341
 D363,280 S * 10/1995 Watanabe D14/138 AA
 5,463,725 A 10/1995 Henckel et al.

D366,259 S * 1/1996 Yamaguchi D14/138 AA
 5,495,566 A 2/1996 Kwatinetz
 D395,639 S 6/1998 Ham et al.
 D396,215 S 7/1998 Inukai
 D396,452 S 7/1998 Naruki
 D408,372 S 4/1999 Ota et al.
 D408,794 S 4/1999 Ogasawara
 D409,185 S 5/1999 Kawashima
 D410,440 S 6/1999 Carnell
 D420,354 S 2/2000 Morales
 D424,535 S 5/2000 Peltola
 D425,887 S 5/2000 Edwards et al.
 6,061,063 A 5/2000 Wagner et al.
 6,067,068 A 5/2000 Hussain
 D444,465 S 7/2001 Do
 D448,764 S 10/2001 Marsalka et al.
 6,310,610 B1 10/2001 Beaton et al.
 D451,505 S 12/2001 Iseki et al.
 D452,687 S 1/2002 Yeh
 6,337,698 B1 1/2002 Keely, Jr. et al.
 D453,333 S 2/2002 Chen
 D454,348 S 3/2002 Yeh
 D455,433 S 4/2002 Alviar et al.
 D456,023 S 4/2002 Andre et al.
 D456,805 S 5/2002 Ono et al.
 D458,252 S 6/2002 Palm et al.
 D461,175 S 8/2002 Yokota
 D461,802 S 8/2002 Tu
 D466,501 S 12/2002 Hirota
 D467,890 S 12/2002 Lai et al.
 6,501,967 B1 12/2002 Makela et al.
 D469,413 S 1/2003 To et al.
 6,509,907 B1 1/2003 Kuwabara
 D476,303 S * 6/2003 Lee D14/138 AB
 D483,032 S 12/2003 Bertrand et al.
 D483,359 S 12/2003 Lin et al.
 D485,265 S 1/2004 Sato et al.
 D486,149 S 2/2004 Kawami et al.
 D486,808 S * 2/2004 Aihara D14/138 AA
 6,690,387 B2 2/2004 Zimmerman et al.
 D488,468 S 4/2004 Hu
 D488,469 S 4/2004 Batsikas
 D489,062 S 4/2004 Hong
 D489,731 S 5/2004 Huang
 D490,810 S 6/2004 Huang
 D491,156 S 6/2004 Kawakami et al.
 D492,684 S 7/2004 Ozolins et al.
 D494,188 S 8/2004 Huang
 D495,695 S 9/2004 Yugaya
 D496,645 S 9/2004 Yoo et al.
 6,788,527 B2 9/2004 Doczy et al.
 D497,364 S 10/2004 Ozolins et al.
 D498,736 S * 11/2004 Lee D14/138 AB
 D498,754 S 11/2004 Blyth
 D499,423 S 12/2004 Bahroocha et al.
 D500,037 S 12/2004 Ozolins et al.
 D502,161 S * 2/2005 Kim D14/138 AB
 D502,173 S 2/2005 Jung et al.
 D502,945 S 3/2005 Huang et al.
 D503,699 S 4/2005 Lee et al.
 D504,889 S 5/2005 Andre et al.
 D505,950 S 6/2005 Summit et al.
 D507,003 S 7/2005 Pai et al.
 D509,202 S 9/2005 Lee et al.
 D509,760 S 9/2005 Burrell et al.
 D509,833 S 9/2005 Yang
 D510,929 S 10/2005 Laverick et al.
 D511,342 S 11/2005 Chien
 D511,347 S 11/2005 Naruki
 D514,121 S 1/2006 Johnson
 D514,558 S 2/2006 Nagel et al.
 D514,590 S 2/2006 Naruki
 D515,060 S * 2/2006 Lee D14/138 AD
 D518,014 S * 3/2006 Cho D14/138 AB
 D518,467 S * 4/2006 Kim D14/138 AB
 D518,812 S * 4/2006 Kim D14/138 AB
 D519,116 S 4/2006 Tanaka et al.
 D519,523 S 4/2006 Chiu et al.
 D519,972 S * 5/2006 Chung D14/138 AB

(56)

References Cited

U.S. PATENT DOCUMENTS

D519,998 S	5/2006	Park	
D520,020 S	5/2006	Senda et al.	
D521,023 S	5/2006	Kim et al.	
D521,970 S *	5/2006	Han	D14/138 AB
D521,971 S *	5/2006	Kim	D14/138 AB
7,042,712 B2	5/2006	Ghosh et al.	
D524,278 S *	7/2006	Hsiung	D14/138 AA
D524,809 S	7/2006	Alcouloumre et al.	
D525,226 S	7/2006	Jang	
D525,620 S	7/2006	Esslinger et al.	
D525,987 S	8/2006	Kim	
D526,297 S *	8/2006	Lee	D14/138 AD
D526,301 S	8/2006	Shin	
D526,302 S	8/2006	Kim	
D526,635 S *	8/2006	Kim	D14/138 AB
D527,015 S	8/2006	Yang	
D527,364 S *	8/2006	Lee	D14/138 AD
D527,366 S	8/2006	Lee	
D528,542 S	9/2006	Luminosu et al.	
D528,561 S	9/2006	Ka-Wei et al.	
D529,045 S	9/2006	Shin	
D529,473 S *	10/2006	Kim	D14/138 AD
D529,474 S *	10/2006	Park	D14/138 AD
D529,887 S *	10/2006	Chung	D14/138 AD
D530,297 S *	10/2006	Moon	D14/138 G
D530,699 S	10/2006	Lee et al.	
D531,154 S *	10/2006	Kim	D14/138 AB
D531,609 S *	11/2006	Kim	D14/138 AB
D531,610 S	11/2006	Kim et al.	
D532,766 S	11/2006	Lee	
D532,791 S	11/2006	Kim	
D533,531 S	12/2006	Hyun et al.	
D534,143 S	12/2006	Lheem	
D534,144 S *	12/2006	Chung	D14/138 AD
D534,145 S	12/2006	Lheem	
D534,516 S	1/2007	Lheem	
D534,517 S	1/2007	Cho et al.	
D535,281 S	1/2007	Yang	
D536,326 S *	2/2007	Kim	D14/138 AD
D536,329 S	2/2007	Lee	
D536,691 S	2/2007	Park	
D536,962 S	2/2007	Tanner	
D538,822 S	3/2007	Andre et al.	
D541,298 S	4/2007	Andre et al.	
D541,299 S	4/2007	Andre et al.	
D541,783 S *	5/2007	Lee	D14/138 AA
D541,785 S	5/2007	Hwang et al.	
D543,183 S	5/2007	Cho et al.	
D546,313 S	7/2007	Lheem	
D546,803 S *	7/2007	Lee	D14/138 AA
D548,713 S	8/2007	Lee et al.	
D548,732 S	8/2007	Cebe et al.	
D548,747 S	8/2007	Andre et al.	
D554,098 S	10/2007	Lee	
D556,211 S	11/2007	Howard	
D557,238 S	12/2007	Kim	
D557,239 S	12/2007	Lee	
D557,259 S	12/2007	Hirsch	
7,303,424 B2	12/2007	Tu et al.	
D558,460 S	1/2008	Yu et al.	
D558,716 S	1/2008	Bae et al.	
D558,756 S	1/2008	Andre et al.	
D558,757 S	1/2008	Andre et al.	
D558,758 S	1/2008	Andre et al.	
D558,792 S	1/2008	Chigira	
D559,220 S	1/2008	Lee et al.	
D560,192 S	1/2008	Lee et al.	
D560,227 S	1/2008	Bennett et al.	
D560,683 S	1/2008	Lee	
D560,686 S	1/2008	Kim	
D561,024 S	2/2008	Toh	
D561,153 S	2/2008	Hong et al.	
D561,204 S	2/2008	Toh	
D561,782 S	2/2008	Kim	
D562,285 S	2/2008	Lim	
D563,432 S	3/2008	Kim	
D563,929 S	3/2008	Park	
D565,532 S	4/2008	Arnold	
D568,309 S	5/2008	Cebe et al.	
D569,830 S	5/2008	Kwak	
D573,143 S	7/2008	Park et al.	
D574,015 S	7/2008	Masui	
7,409,059 B2	8/2008	Fujisawa	
D577,703 S	9/2008	Lee et al.	
D579,930 S	11/2008	Maskatia	
D580,387 S	11/2008	Andre et al.	
D581,922 S	12/2008	Andre et al.	
D584,738 S	1/2009	Kim et al.	
D586,800 S	2/2009	Andre et al.	
D589,979 S	4/2009	Andre et al.	
D593,087 S	5/2009	Andre et al.	
D599,342 S	9/2009	Andre et al.	
D600,241 S	9/2009	Andre et al.	
D600,690 S	9/2009	Miyaji	
D601,583 S	10/2009	Andre et al.	
D602,014 S	10/2009	Andre et al.	
D602,015 S	10/2009	Andre et al.	
D602,016 S	10/2009	Andre et al.	
D602,017 S	10/2009	Andre et al.	
D602,486 S	10/2009	Andre et al.	
D602,488 S	10/2009	Jiang et al.	
D604,297 S	11/2009	Andre et al.	
7,658,675 B2	2/2010	Hotta	
7,660,560 B2	2/2010	Zuo et al.	
7,688,574 B2	3/2010	Zadesky et al.	
D613,735 S	4/2010	Andre et al.	
D613,736 S	4/2010	Andre et al.	
D615,083 S	5/2010	Andre et al.	
D617,792 S	6/2010	Andre et al.	
D617,793 S	6/2010	Chiang et al.	
D618,204 S	6/2010	Andre et al.	
D618,677 S	6/2010	Andre et al.	
D618,678 S	6/2010	Andre et al.	
D620,004 S	7/2010	Andre et al.	
D622,270 S	8/2010	Andre et al.	
D622,718 S	8/2010	Andre et al.	
D622,719 S	8/2010	Andre et al.	
D622,720 S	8/2010	Andre et al.	
D624,072 S	9/2010	Andre et al.	
D624,536 S	9/2010	Andre et al.	
D627,343 S	11/2010	Andre et al.	
D629,799 S	12/2010	Andre et al.	
D633,090 S	2/2011	Andre et al.	
D633,908 S	3/2011	Akana et al.	
D634,319 S	3/2011	Andre et al.	
D634,742 S	3/2011	Andre et al.	
D636,390 S	4/2011	Andre et al.	
D644,218 S	8/2011	Akana et al.	
D669,071 S	10/2012	Akana et al.	
D671,937 S	12/2012	Akana et al.	
D672,769 S	12/2012	Andre et al.	
D673,947 S	1/2013	Andre et al.	
D673,948 S	1/2013	Andre et al.	
D674,383 S	1/2013	Andre et al.	
D675,202 S	1/2013	Andre et al.	
D675,612 S	2/2013	Andre et al.	
D690,298 S	9/2013	Andre et al.	
D691,133 S	10/2013	Akana et al.	
D692,879 S	11/2013	Andre et al.	
D692,881 S	11/2013	Akana et al.	
D693,341 S	11/2013	Akana et al.	
D696,251 S	12/2013	Andre et al.	
D696,663 S	12/2013	Andre et al.	
D698,352 S	1/2014	Andre et al.	
D704,701 S	5/2014	Andre et al.	
D710,843 S	8/2014	Akana et al.	
D724,078 S	3/2015	Andre et al.	
D731,481 S	6/2015	Akana et al.	
2003/0125079 A1	7/2003	Park et al.	
2003/0125094 A1	7/2003	Hyun et al.	
2003/0125959 A1	7/2003	Palmquist	
2003/0184525 A1	10/2003	Tsai	
2003/0206202 A1	11/2003	Moriya	
2004/0021676 A1	2/2004	Chen et al.	

(56)

References Cited

U.S. PATENT DOCUMENTS

2004/0041504 A1 3/2004 Ozolins et al.
 2004/0132499 A1 7/2004 Abe
 2004/0155888 A1 8/2004 Padgitt et al.
 2004/0166907 A1 8/2004 Yajima
 2004/0223004 A1 11/2004 Lincke et al.
 2004/0242288 A1 12/2004 Balle et al.
 2004/0257334 A1 12/2004 Yajima
 2005/0009556 A1 1/2005 Hickey et al.
 2005/0012723 A1 1/2005 Pallakoff
 2005/0014538 A1 1/2005 Hyun et al.
 2005/0041385 A1 2/2005 Kikinis et al.
 2005/0059438 A1 3/2005 Jellicoe
 2005/0088418 A1 4/2005 Nguyen
 2005/0127158 A1 6/2005 Figueras
 2005/0130715 A1 6/2005 Fujisawa
 2005/0156902 A1 7/2005 McPherson et al.
 2005/0195154 A1 9/2005 Robbins et al.
 2005/0255897 A1 11/2005 Lee et al.
 2006/0025184 A1 2/2006 Cho et al.
 2006/0025218 A1 2/2006 Hotta
 2006/0094464 A1 5/2006 Kyou et al.
 2006/0111158 A1 5/2006 Hou
 2006/0111161 A1 5/2006 Cha et al.
 2006/0121852 A1 6/2006 Kim et al.
 2006/0142073 A1 6/2006 Gordecki
 2006/0166713 A1 7/2006 Yeh et al.
 2006/0281501 A1 12/2006 Zuo et al.
 2007/0082718 A1 4/2007 Yoon et al.
 2008/0004083 A1 1/2008 Ohki et al.
 2008/0004085 A1 1/2008 Jung et al.
 2008/0259094 A1 10/2008 Kim et al.
 2009/0067141 A1 3/2009 Dabov et al.

FOREIGN PATENT DOCUMENTS

CN 30-0721986 12/2007
 CN 300721990 12/2007
 CN 300732852 1/2008
 CN 300732857 1/2008
 EM 000048061-0001 8/2003
 EM 000046198-0001 11/2003
 EM 000317490-0001 5/2005
 EM 000257621-0004 7/2005
 EM 000375191-0001 9/2005
 EM 000493721-0002 5/2006
 EM 000569157-0005 5/2006
 EM 000569157-0005 9/2006
 EM 000569157-0007 9/2006
 EM 000590831-0001 10/2006
 EM 000614565-0001 12/2006
 FI 4897 7/1980
 FR 990052-001 5/1999
 GB 2062780 5/1981
 GB 1042780 12/1986
 GB 2030050 10/1992
 GB 2033245 8/1993
 GB 3010002 2/2003
 GB 3012502 6/2003
 GB 3014024 10/2003
 GB 3022447 10/2005
 JP 61-69284 4/1986
 JP 64-9317 1/1989
 JP 000921403 3/1995
 JP 001009317 5/1998
 JP 2000-163031 6/2000
 JP 001104685 3/2001
 JP D1124750 10/2001
 JP 001142127 5/2002
 JP D1159881 12/2002
 JP D1178470 7/2003
 JP 001188041 10/2003
 JP D1204221 5/2004
 JP 001235888 4/2005
 JP D1235888 4/2005
 JP 001241638 6/2005

JP D1241383 6/2005
 JP D1247215 8/2005
 JP D1250487 9/2005
 JP 2004 290256 10/2005
 JP D1263649 2/2006
 JP 001280315 9/2006
 JP D1285057 10/2006
 JP D1295003 2/2007
 JP D1302929 6/2007
 KR 30-0327126 6/2003
 KR 30-0359572 8/2004
 KR 30-0360712 9/2004
 KR 30-0364027 10/2004
 KR 30-0364845 10/2004
 KR 30-0367347 11/2004
 KR 30-0367787 11/2004
 KR 30-0370833 1/2005
 KR 30-0376524 3/2005
 KR 30-0387059-3 7/2005
 KR 30-0387130 7/2005
 KR 30-0387648 7/2005
 KR 30-0396917 11/2005
 KR 30-0398307 11/2005
 KR 30-0394921 12/2005
 KR 30-0416409 6/2006
 KR 30-0418422-1 7/2006
 KR 30-0418547 7/2006
 KR 30-0420200 7/2006
 KR 30-0422221 8/2006
 KR 30-0424148 9/2006
 KR 30-0435318 1/2007
 KR 30-0441230 2/2007
 KR 30-0452432 6/2007
 KR 30-0452985 6/2007
 SE 55044 10/1993
 TW D106137 8/2005
 WO WO 2000/074240 7/2000
 WO WO 01/88679 A2 11/2001
 WO WO 2004/023272 3/2004
 WO WO 2006/038499 4/2006

OTHER PUBLICATIONS

Philips S900, announced Jun. 2006, [online], [retrieved on Feb. 20, 2007]. Retrieved from Internet, <URL:http://www.gsmarena.com>.
 LG KE50 Prada, announced Jan. 2007, [online], [retrieved on Feb. 20, 2007]. Retrieved from Internet, <URL:http://www.gsmarena.com>.
 Apple iPhone, announced Jan. 2007, [online], [retrieved on Mar. 12, 2007]. Retrieved from Internet, <URL:http://www.gsmarena.com>.
 Tinnos PDA, posted May 19, 2006, [online], [retrieved on Aug. 22, 2007]. Retrieved from Internet, <URL:http://www.mobilewhack.com>.
 Meizu M8, posted Jan. 29, 2007, [online], [retrieved on Sep. 13, 2007]. Retrieved from Internet, <URL:http://www.engadget.com>.
 eFashion Magazine, 2004, vol. No. 12, p. 60, China.
 eFashion Magazine, Jun. 1, 2005, vol. No. 119, p. 45, China.
 eFashion Magazine, Apr. 2006, vol. No. 142, p. 26, China.
 Notification and Request for Invalidation of Chinese Patent ZL200730148767.X, Patent Reexamination Board of the State of Intellectual Property Office of the PRC and English translation, mailed Dec. 11, 2008, 19 pages.
 Notification and Request for Invalidation of Chinese Patent ZL200730148751.9, Patent Reexamination Board of the State of Intellectual Property Office of the PRC and English translation, mailed Dec. 11, 2008, 19 pages.
 Notification and Request for Invalidation of Chinese Patent ZL200730148719.0, Patent Reexamination Board of the State of Intellectual Property Office of the PRC and English translation, mailed Dec. 11, 2008, 19 pages.
 Amazon, "Developing Tablet PC Applications—(Charles River Media Programming)," (http://www.amazon.co.uk/Developing-Tablet-Applications-Charles-Programming/dp/1584502525), retrieved Jul. 20, 2011, 4 pages.

(56)

References Cited

OTHER PUBLICATIONS

- Association for Computing Machinery, The Open Video Project, "ACM CHI 1995—The Tablet Newspaper: A vision for the Future," (<http://www.open-video.org/details.php?videoid=8315&surrogate=storyboard>), 3 pages (1994).
- Aumente, J., *American Journalism Review*, "Panel Vision," (<http://www.ajr.org/Article.asp?id=1257>), published Oct. 1994, 7 pages.
- Blickenstorfer, C., *PenComputing Magazine*, "Tablet PCs: HP Compaq Tablet PC TC1000," (http://pencomputing.com/frames/tpc_compaq.html), 3 pages (Dec. 2002).
- Blickenstorfer, C., *PenComputing Magazine*, "Tablet PCs: Motion Computing M1200," (http://pencomputing.com/frames/tpc_motion1200.html), 3 pages (Dec. 2002).
- Blickenstorfer, C., *PenComputing Magazine*, "Tablet PCs: ViewSonic V1100," (http://pencomputing.com/frames/tpc_viewsonic.html), 3 pages (Dec. 2002).
- Chi-athenaum, "Good Design 2003, An International Industrial and Graphic Design Competition," (<http://www.chi-athenaum.org/gdesign/winners03.htm>), retrieved Sep. 23, 2011, 7 pages.
- Computing History, "GRidPad 1910," (<http://www.computinghistory.org.uk/det/6565/GRidPad-1910>), retrieved Sep. 12, 2011, 2 pages.
- DigiBarn Systems, "GRidpad Pen Computer," (<http://www.digibarn.com/collections/systems/gridpad/index.html>), retrieved Sep. 23, 2011, 2 pages.
- Edible Apple, "The first Apple Tablet . . . from 1979," (<http://www.edibleapple.com/the-first-apple-tablet-from-1979/>), published Nov. 23, 2009, 8 pages.
- Electronista, "LG/Prada phone revealed?," (<http://www.electronista.com/articles/06/12/20/lg.prada.phone.revealed/>), updated Dec. 20, 2006, 9 pages.
- EngineerBoy, *CleverDonkey.com*, "2001: A Space Odyssey and the iPad (or is it tamPod?)," (<http://www.cleverdonkey.com/1499-2001a-space-odyssey-and-the-ipad-or-is-it-tampod/>), published Feb. 2, 2010, 5 pages.
- Hagen, R., *GadgetZone*, "iHolic portable mediaspeler," (<http://www.gadgetzone.nl/nieuws.php?id=3191>), published Jan. 4, 2007, 3 pages.
- Martin, T., "The Tablet Newspaper: A Vision for the Future," *Human Factors in Computing Systems, Chi '95 Conference Companion*, pp. 425, Colorado, United States (May 1995).
- NewLaunches, "LG Prada cell phones are truly iconic," (http://www.newlaunches.com/archives/lg_prada_cell_phones_are_truly_iconic.php), retrieved Sep. 12, 2011, 3 pages.
- NewLaunches, "LG Wears Prada," (http://www.newlaunches.com/archives/lg_wears_prada.php), retrieved Sep. 23, 2011, 2 pages.
- PC Magazine, "HP Compaq Tablet PC TC1000," (<http://www.pcmag.com/article2/0,2817%20,939500,00.asp>), published Apr. 8, 2003, 3 pages.
- Samsung, "Samsung F700 is razendsnelle alleskunner voor mobiel breedband van Vodafone," (http://www.samsung.com/nl/mobile/pressView.do?ptype=press&page=13&news_seq=22544), published May 25, 2008, 2 pages.
- Samsung, "Samsung Unveils Revolutionary Ultra Smart F700," (http://www.samsung.com/us/news/newsRead.do?news_seq=3516), published Feb. 8, 2007, 2 pages.
- Van Reeth, J., "Vantage is showing its colours!," *Home automation journal* 11:1-8, Vantage Emea, Belgium (Jun. 2003).
- Wikipedia, "Etch A Sketch," (http://en.wikipedia.org/wiki/Etch_a_sketch), last modified Aug. 24, 2011, 4 pages.
- Wikipedia, "MessagePad," (<http://en.wikipedia.org/wiki/Messagepad>), retrieved Sep. 12, 2011, 10 pages.
- ZDNet, "Viewsonic V1100," (<http://www.zdnet.nl/reviews/24712/viewsonic-v1100/>), published Feb. 17, 2003, 9 pages.
- Ziegler, C., *Engadget*, "The LG KE850: touchable chocolate," (<http://mobile.engadget.com/2006/12/15/the-lg-ke850-touchable-chocolate/>), published Dec. 15, 2006, 5 pages.
- Gizloco, *Gizmodo*, "Touchscreen iPod Due This November Says Our Secret Source," (<http://gizmodo.com/192158/touchscreen-ipod-due-this-november-says-our-secret-source>), published Aug. 4, 2006, 2 pages.
- Gizmodo*, "Bluebird PIDION BM-200 Packed with Acronyms and Other Impressive Features," (<http://gizmodo.com/143554/bluebird-pidion-bm+200-packed-with-acronyms-and-other-impressive-features>), published Dec. 15, 2005, 2 pages.
- Sundgot, J., *infoSync*, "Preview: LG PM70," (<http://infosyncworld.com/news/n/5869.html>), published Mar. 15, 2005, 2 pages.
- Vasile, C., *Softpedia*, "MobilePen: An Expensive but Helpful Touchscreen," (<http://news.softpedia.com/news/MobilePen-An-Expensive-But-Helpful-Touchscreen-16192.shtml>), published Jan. 12, 2006, 2 pages.
- "A Day in the Life of InfoLink," *Stanford University Libraries*, published May 1, 2003.
- "The Oracle: The Personal Computer of the Year 2000," *Stanford University Libraries*.
- "The Organizer: The Personal Computer of the Year 2000," *Stanford University Libraries*.
- "Toshiba Dynapad T100X Pen Computer," product available in 1993, 2 pages.
- ABDI, "Five 1 GB Flash MP3 Players," *Tomsguide.com*, (<http://www.tomsguide.com/us/five-lgb-flash-mp3-players,review-722-3.html>), published May 30, 2006, 4 pages.
- Aliexpress.com, "WACOM PL-500 15" LCD Tablet Mint," (<http://www.aliexpress.com/product-fm/430172068-WACOM-PL-500-15-LCD-Tablet-Mint-Worldwide-Free-Shipping-wholesalers.html>), accessed Nov. 14, 2011, 3 pages.
- Amazon.com, "Digitalway MPIO FL100 128 MB MP3 Player" (<http://www.amazon.com/Digitalway-MPIO-FL100-128-Player/dp/B00008V6NI>), accessed Nov. 17, 2011, 7 pages.
- Amazon.com, "Whirlpool Gold : GH7208XRS 2.0 cu. ft. Velos Speedcook Over the Range Microwave Oven," (<http://www.amazon.com/Whirlpool-Gold-GH7208XRS-Speedcook-Microwave/dp/B000ZIPHM8>), accessed May 23, 2012, 5 pages.
- AndroidTabletFanatic.com "16 Old-Skool Tablets Rocking it Before the iPad," (<http://www.androidtabletfanatic.com/android-tablet-news/16-old-skool-tablets-rocking-it-before-the-ipad/>), published May 16, 2011, 10 pages.
- Apple Inc., "Apple Introduces the U2 iPod," (<http://www.apple.com/pr/library/2004/10/26Apple-Introduces-the-U2-iPod.html>), published Oct. 26, 2004, 2 pages.
- Blandford, "Nokia N92 Preview," (http://www.allaboutsymbian.com/features/item/Nokia_N92_Preview.php), published Nov. 23, 2005, 10 pages.
- Block, "Olympus @ CES Hands-on with the m:robe MR-500i and MR-100," *Engadget.com*, (<http://www.engadget.com/2005/01/10/olympus-ces-hands-on-with-the-m-robe-mr-500i-and-mr-100>), published Jan. 10, 2005, 3 pages.
- Cell Phones.About.com, "More pictures of the LG KG800," (http://cellphones.about.com/library/bl-pi-lg_kg800.htm), accessed Feb. 13, 2012, 1 page.
- Chip Online, "VIA: Zwitter-PC für Schöngeste," (http://www.chip.de/news/VIA-Zwitter-PC-fuer-Schoengeister_34204096.html), published May 8, 2002, 2 pages.
- Clarke, "Newspad by Authur C. Clarke from 2001: A Space Odyssey," (<http://www.technovelgy.com/ct/content.asp?Bnum=529>), published 1968, 3 pages.
- Computex.biz, "Tatung Tablet PC," (http://www.computex.biz/tatung/Default.aspx?pagetype=ProductDetail&pdt_id=36&cid=3...), accessed Nov. 4, 2011, 3 pages.
- dcinside.com, "iHolic HTV-200" (<http://dica.dcinside.com/review.php?pid=7192>), retrieved Sep. 22, 2011, 16 pages.
- Hilon.com, "LG DMB MP3 FM35" (<http://www.hilon.com.cn/autobak/a88100055479.htm>), accessed Dec. 26, 2008, 18 pages.
- IF Design, "iF product design award 2007," (http://www.ifdesign.de/beitragsdetails_e.html?offset=87&sprache=2&award_id=121&beit...), accessed on Sep. 21, 2011, 1 page.
- iriver.com, "iriver U-10," (www.iriver.com), published 2005, 2 pages.
- Itbusiness.ca, "Microsoft Mira eHome Wireless Smart Display," (http://www.itbusiness.ca/images/articles/Jun10/clip_image003_0087.jpg), accessed Nov. 15, 2011, 1 page.
- iTechNews.net, "Samsung K3 MP3 Player," (<http://www.itechnews.net/2006/12/02/samsung-k3-mp3-player/>), published Dec. 2, 2006, 9 pages.

(56)

References Cited

OTHER PUBLICATIONS

Justia, "*Apple v. Samsung Electronics Co. Ltd. et al.*, Filing: 943 Attachment: 5," (<http://docsjustia.com/cases/federal/district-courts/california/candce/5:2011cv01846/239768/943/5.html>), dated May 18, 2012, 3 pages.

Kauffmann, "Music That Fits In Your Pocket," Tomsguide.com, (<http://www.tomsguide.com/us/music-that-fits-in-your-pocket,review-525-5.html>), published Aug. 25, 2005, 4 pages.

Lugmayr, "Sexy iHolic DMB TV PMP," (<http://www.i4u.com/11656/sexy-iholic-dmb-tv-pmp>), published Jan. 3, 2007, 1 page.

McCracken, "The iPad. Of 2000. As Envisioned in 1988," Technogizer.com, (<http://technogizer.com/2010/05/14/the-ipad-of-2000-as-envisioned-in-1988/>), published May 14, 2010, 12 pages.

Mel et al., "Tablet: Personal Computer in the Year 2000," Communications of the ACM 31:638-646, ACM (Jun. 1988).

Mobilegazette.com, "Nokia N92," (<http://www.mobilegazette.com/nokia-n92-051102.htm>), published Nov. 2, 2005, 2 pages.

Newlaunches.com, "PIDION BM-200 sleek Windows CE PDA phone from Bluebird," (http://www.newlaunches.com/archives/pidion_bm200_sleek_windows_ce_pda_phone_from_bluebird.php), published December.

PCMag.com, "iriver U10," (<http://www.pcmag.com/article2/0,2817,1901833,00.asp>), published Dec. 14, 2005, 3 pages.

PDAdb.net, "Casio Cassiopeia IT-10 M20BR Specs," (http://pdadb.net/index.php?m=specs&id=95&c=casio_cassiopeia_it-10_m20br), published Dec. 30, 2004, 3 pages.

PDAdb.net, "CyberBank POZ X301 Specs," (http://pdadb.net/index.php?m=specs&id=442&c=cyberbank_poz_x301), published Jan. 31, 2006, 3 pages.

PDAdb.net, "Dell Axim X3 Basic Specs," (http://pdadb.net/index.php?m=specs&id=81&c=dell_axim_x3_basic), published Dec. 30, 2004, 3 pages.

PDAdb.net, "Detailed Specifications of O2 XDA Flame," (http://pdadb.net/index.php?m=specs&id=673&view=1&c=O2_xda_flame), accessed May 6, 2011, 3 pages.

PDAdb.net, "Dopod 838 Pro (HTC Hermes 100) Specs," (http://pdadb.net/index.php?m=specs&id=578&c=dopod_838_pro_htc_hermes_100), published Aug. 4, 2005, 3 pages.

PDAdb.net, "Garmin iQue M5 Specs," (http://pdadb.net/index.php?m=specs&id=302&c=garmin_ique_m5), published Jul. 17, 2005, 3 pages.

PDAdb.net, "Krome Spy (HTC Magician Refresh) Specs," (http://pdadb.net/index.php?m=specs&id=550&c=krome_spy_htc_magician_refresh), published Jul. 18, 2006, 3 pages.

PDAdb.net, "MiTAC Mio 338 Plus Digi-Walker Specs," (http://pdadb.net/index.php?m=specs&id=60&c=mitac_mio_338_plus_digi-walker), published Dec. 25, 2004, 3 pages.

PDAdb.net, "O2 XDA (HTC Wallaby) Specs," (http://pdadb.net/index.php?m=specs&id=117&c=o2_xda_htc_wallaby), published Feb. 3, 2005, 3 pages.

PDAdb.net, "Palm Z22 Specs," (http://pdadb.net/index.php?m=specs&id=1244&c=palm_z22), published Mar. 13, 2006, 3 pages.

PDAdb.net, "Toshiba Genio e330 Specs," (http://pdadb.net/index.php?rn=specs&id=29&c=toshiba_genio_e330), published Dec. 9, 2004, 3 pages.

PDAdb.net, "Toshiba Genio e570 Specs," (http://pdadb.net/index.php?m=specs&id=229&c=toshiba_genio_e570), published May 4, 2006, 3 pages.

Ricker, "The Pidion BM-200: it's time to move to Seoul," (<http://www.engadget.com/2005/10/04/the-pidion-bm-200-its-time-to-move-to-seoul/>), Engadget.com, published Oct. 4, 2005, 4 pages.

Rojas, "Hands-on with the Nokia N92," Engadget.com, (<http://www.engadget.com/2005/12/01/hands-on-with-the-nokia-n92/>), published Dec. 1, 2005, 4 pages.

Salestores.com, "LG L1530TM Tablet LCD Monitor," (<http://salestores.com/lgl1530tm.html>), accessed Nov. 17, 2011, 2 pages.

Smith et al., "The Radial Scroll Tool: Scrolling Support for Stylus- or Touch-Based Document Navigation," UIST, ACM, published Oct. 2004.

Smith, reghardware.com, "First fondleslab found in 1970s kids TV sci-fi gem: Apple iPad inspired by Tomorrow People," (http://www.reghardware.com/2011/02/07/apple_ipad_tomorrow_people/), published Feb. 7, 2011, 3 pages.

Sooman, "The LG Chocolate phone," Techspot.com, (<http://www.techspot.com/news/20929-the-lg-chocolate-phone.html>), published on Mar. 23, 2006, 5 pages.

Vilas-Boas, "Industrial Design Portfolio," (<http://rdvb-designshowcase.blogspot.com/p/cheddar-1-2009.html>), published 2004, 6 pages.

WebdesignerDepot.com, "The Evolution of Cell Phone Design Between 1983-2009" (<http://www.webdesignerdepot.com/2009/05/the-evolution-of-cell-phone-design-between-1983-2009/>), accessed May 6, 2011, 56 pages.

Wikipedia.org, "CLIÉ," (<http://en.wikipedia.org/wiki/CL%C3%89>), last modified Feb. 12, 2011, 3 pages.

Wikipedia.org, "E-Ten" (<http://en.wikipedia.org/wiki/E-TEN>), last modified Dec. 15, 2010, 2 pages.

Wikipedia.org, "iPAQ" (<http://en.wikipedia.org/wiki/IPAQ>), last modified May 4, 2011, 7 pages.

Wikipedia.org, "LifeDrive" (<http://en.wikipedia.org/wiki/LifeDrive>), last modified Mar. 16, 2011, 3 pages.

Wikipedia.org, "Pocket viewer," (http://en.wikipedia.org/wiki/Pocket_viewer), last modified Apr. 10, 2011, 4 pages.

Wikipedia.org, "Zire Handheld" (http://en.wikipedia.org/wiki/Zire_Handheld), last modified Dec. 11, 2010, 4 pages.

* cited by examiner

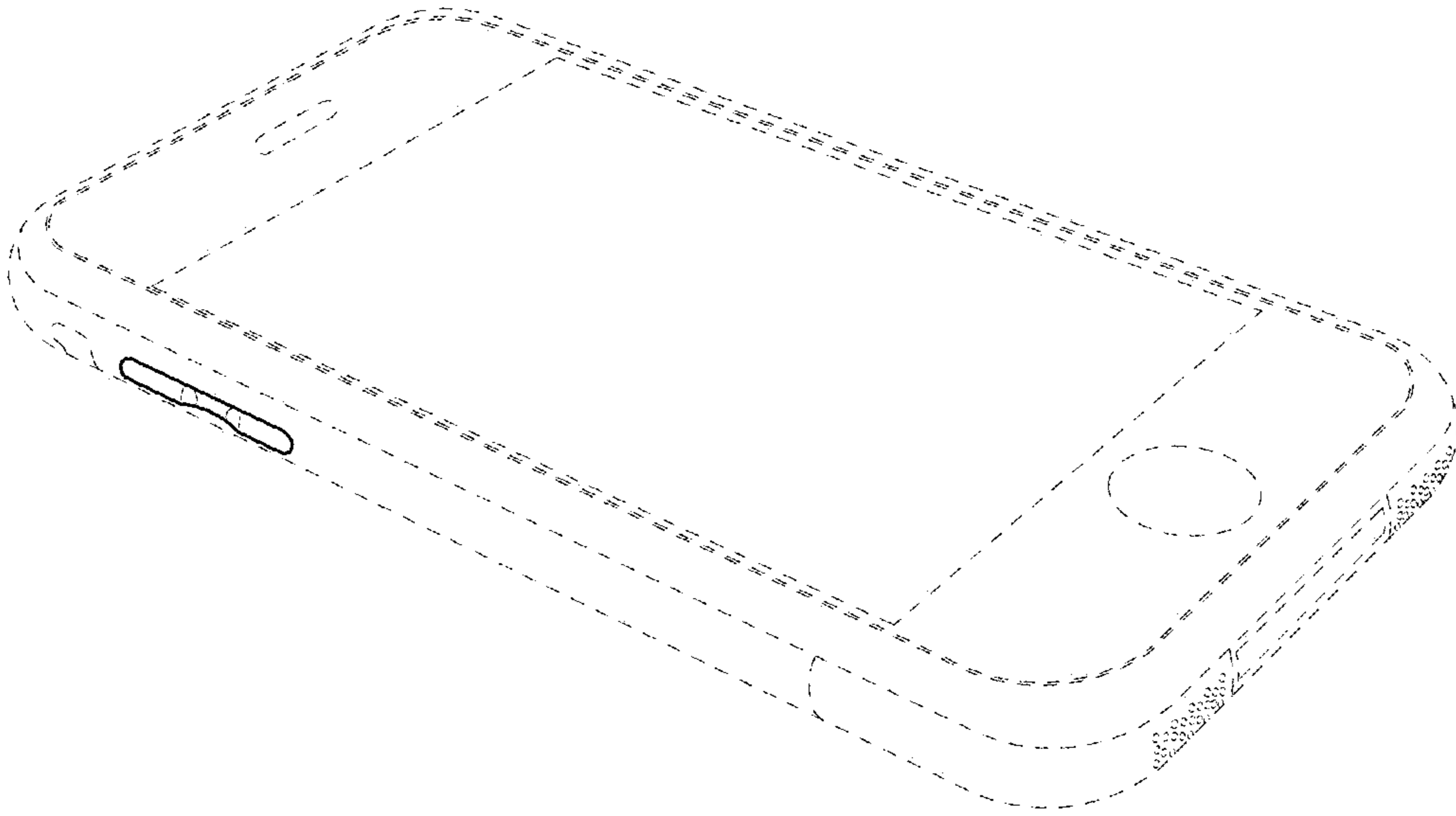


FIG. 1

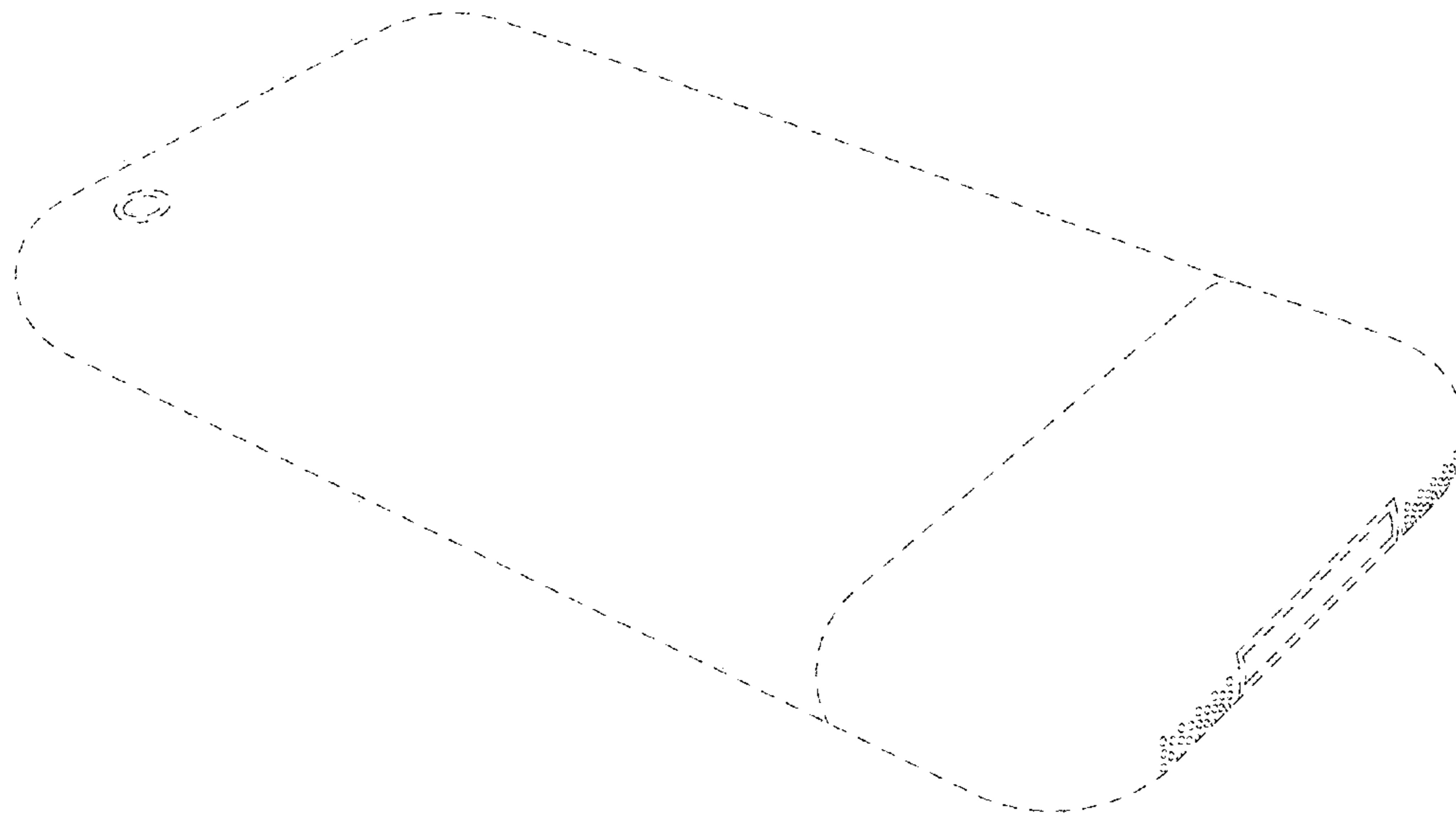


FIG. 2

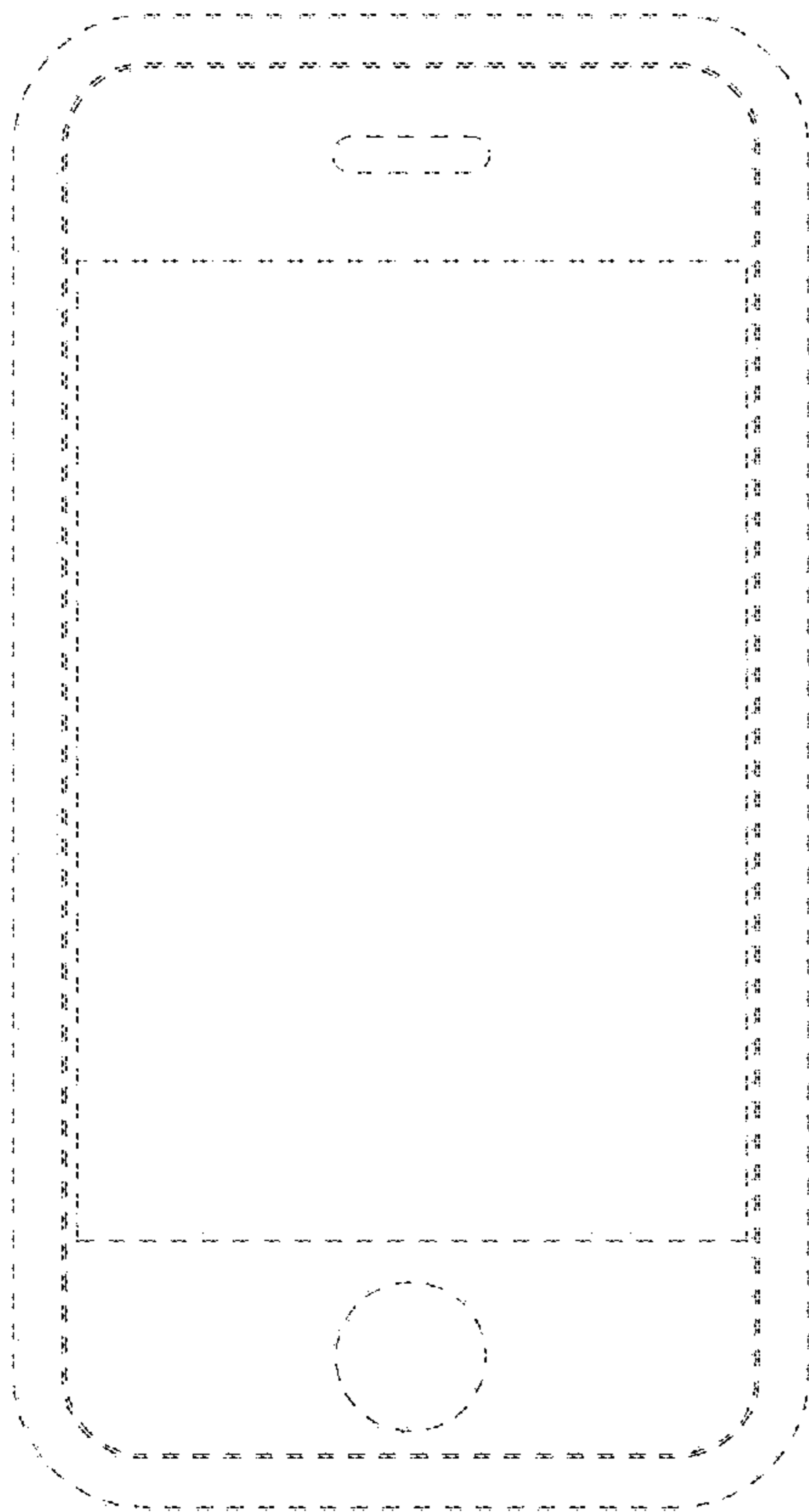


FIG. 3

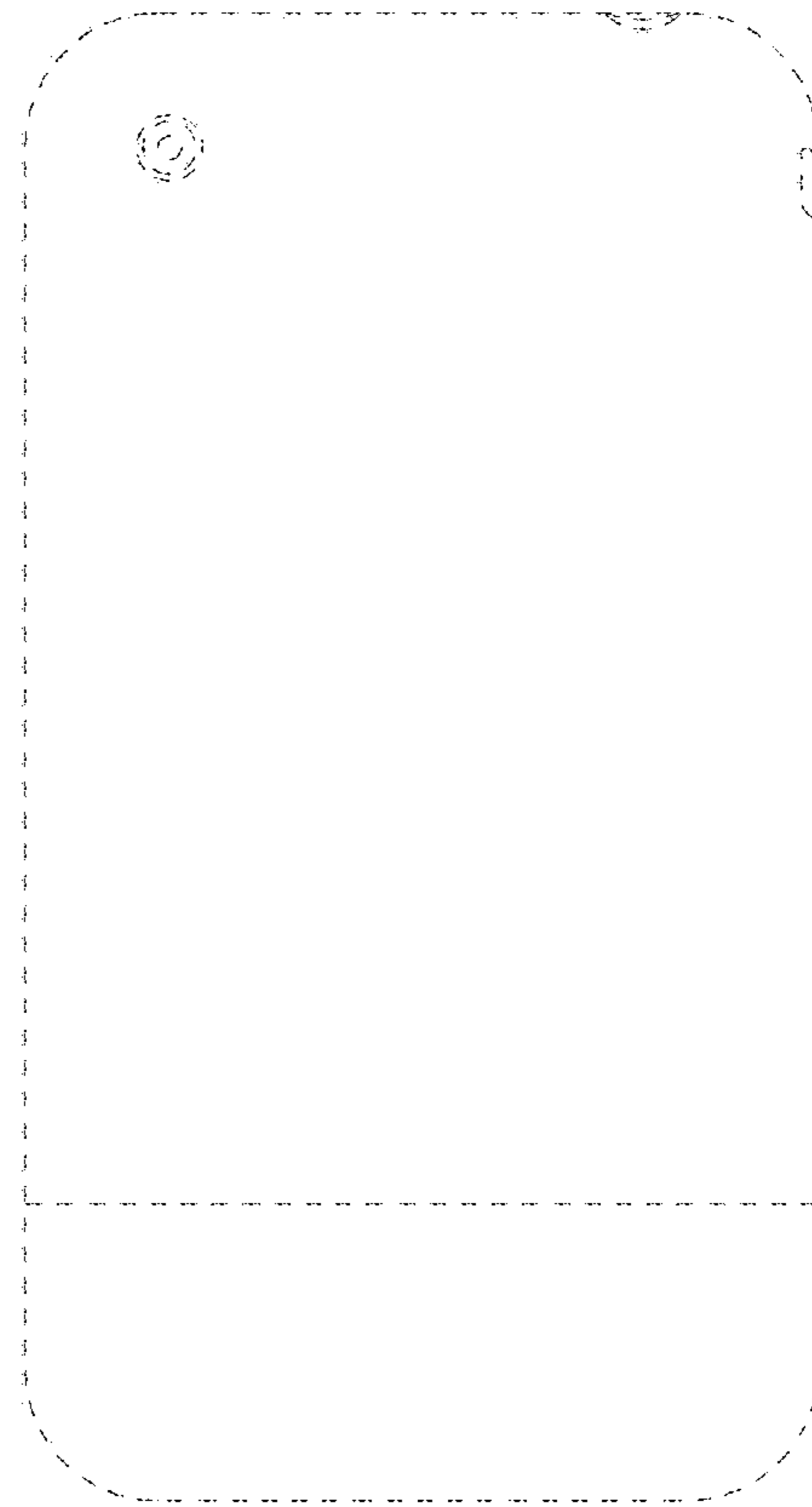


FIG. 4

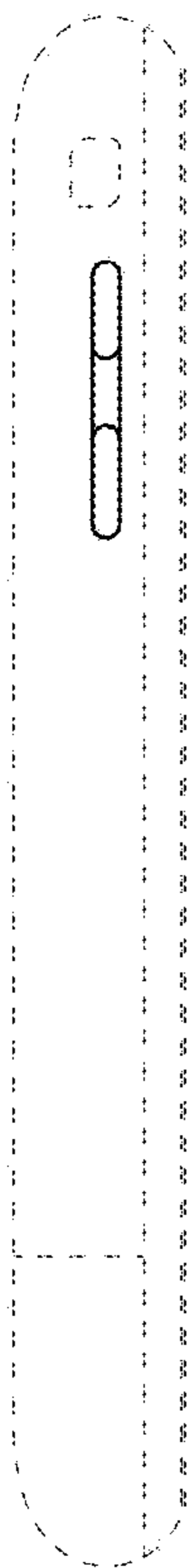


FIG. 7

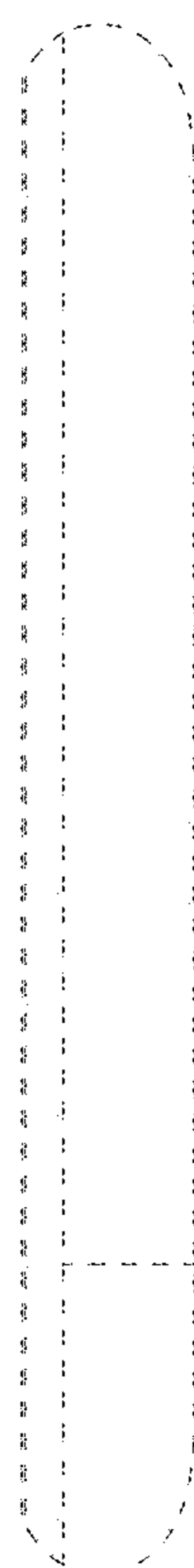


FIG. 8



FIG. 5

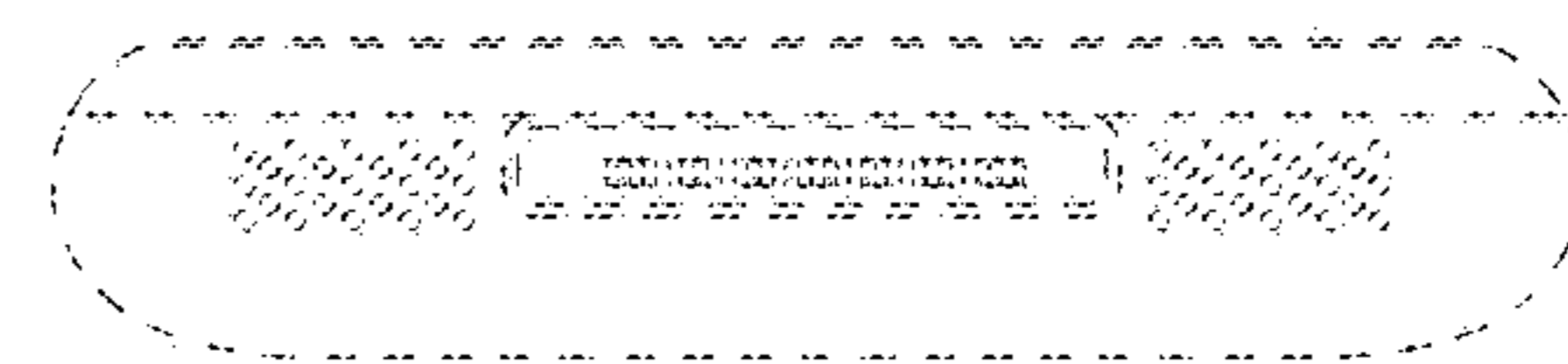


FIG. 6