



US00D918895S

(12) **United States Design Patent** (10) **Patent No.:** **US D918,895 S**
Berini (45) **Date of Patent:** **** May 11, 2021**

- (54) **KIOSK** D751,061 S * 3/2016 Berini D14/307
- (71) Applicant: **NextgenID Inc.**, Herndon, VA (US) D760,711 S * 7/2016 Berini D14/307
- (72) Inventor: **Dario John Berini**, Ashburn, VA (US) D778,276 S * 2/2017 Berini D14/307
- (73) Assignee: **NextgenID Inc.**, Herndon, VA (US) D815,628 S * 4/2018 Berini D14/307
- (**) Term: **15 Years** D818,464 S * 5/2018 Berini D14/307
- (21) Appl. No.: **29/756,760** D829,706 S * 10/2018 Berini D14/307
- (22) Filed: **Oct. 30, 2020** D854,538 S * 7/2019 Szeredi D14/307
- 2009/0289104 A1 * 11/2009 Yoneda G06F 1/16
235/375
- 2011/0192681 A1 * 8/2011 Johnson G06Q 20/18
186/52
- 2013/0215275 A1 * 8/2013 Berini G06F 21/32
348/150

* cited by examiner

Related U.S. Application Data

- (60) Division of application No. 29/665,201, filed on Oct. 1, 2018, now abandoned, which is a division of application No. 29/641,115, filed on Mar. 20, 2018, now Pat. No. Des. 829,706, which is a continuation of application No. 29/553,500, filed on Feb. 2, 2016, now Pat. No. Des. 815,628, which is a division of application No. 29/487,801, filed on Apr. 11, 2014, now Pat. No. Des. 751,061.

Primary Examiner — Austin Murphy

(74) *Attorney, Agent, or Firm* — Shami Messinger PLLC

(51) **LOC (13) Cl.** **14-02**

(52) **U.S. Cl.**
USPC **D14/307**

(58) **Field of Classification Search**
USPC D14/302–307, 900–902; D13/163;
D20/10; D21/332, 325, 369, 370;
D99/28; D6/397, 466; 361/679.01,
361/679.02, 679.04, 679.21, 679.57, 725
CPC G06Q 20/18; G06Q 20/10; G06Q 20/123;
G06Q 20/20; G06Q 30/02; G06Q 30/06;
A47F 9/047

See application file for complete search history.

(56) **References Cited**

U.S. PATENT DOCUMENTS

- D742,870 S * 11/2015 Berini G06F 21/32
D14/307
- 9,256,720 B2 * 2/2016 Berini G06F 21/32

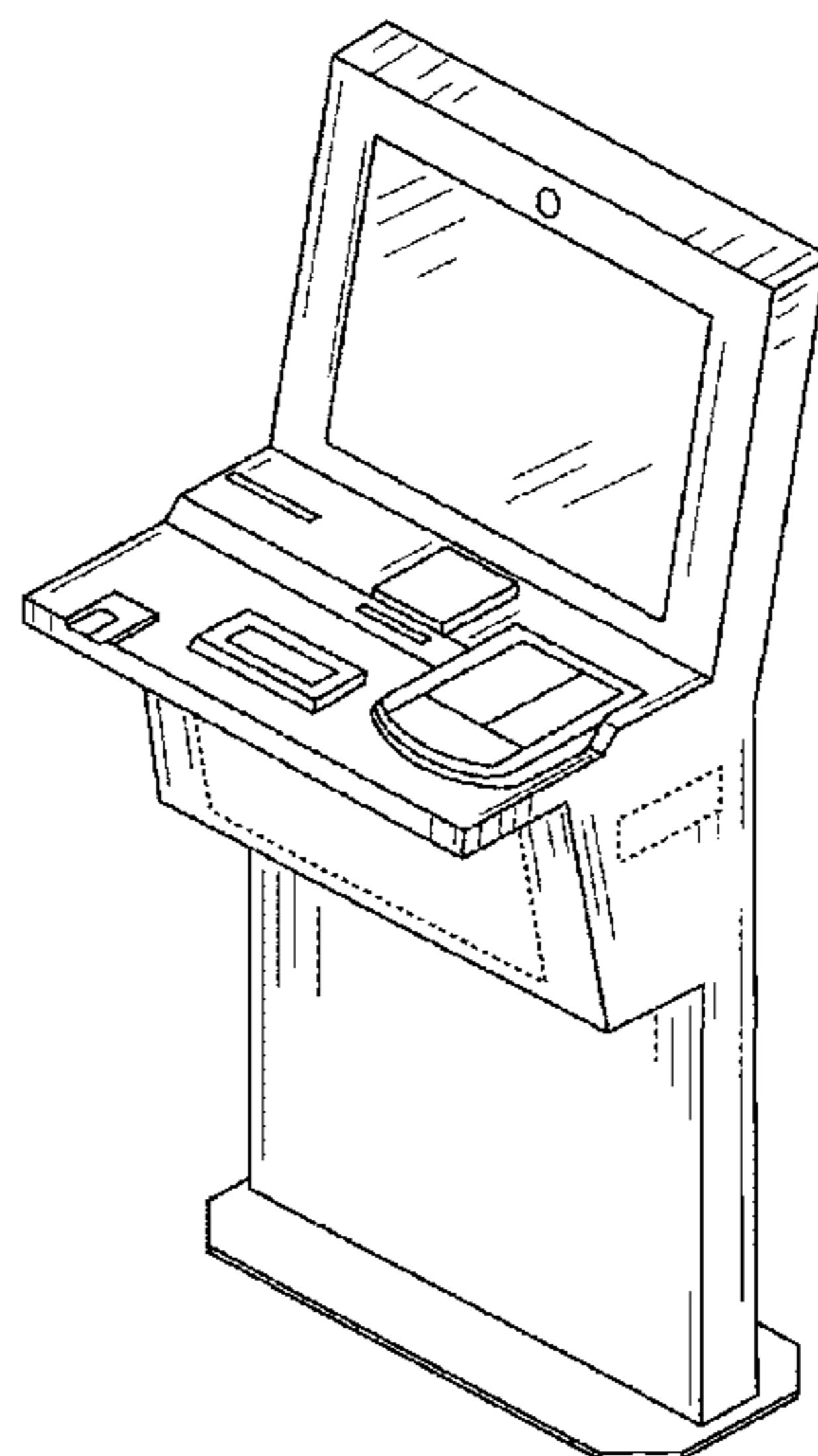
(57) **CLAIM**

The ornamental design for a kiosk, as shown and described.

DESCRIPTION

FIG. 1 is perspective view of an embodiment of a kiosk showing our my new design;
 FIG. 2 is a front elevation view of the kiosk of FIG. 1;
 FIG. 3 is a back elevation view of the kiosk of FIG. 1;
 FIG. 4 is a first side elevation view of the kiosk of FIG. 1;
 FIG. 5 is a second side elevation view of the kiosk of FIG. 1;
 FIG. 6 is a top plan view of the kiosk of FIG. 1; and,
 FIG. 7 is a bottom plan view of the kiosk of FIG. 1.
 The portions of the drawings shown in broken lines represent environmental structure and form no part of the claimed design.

1 Claim, 4 Drawing Sheets



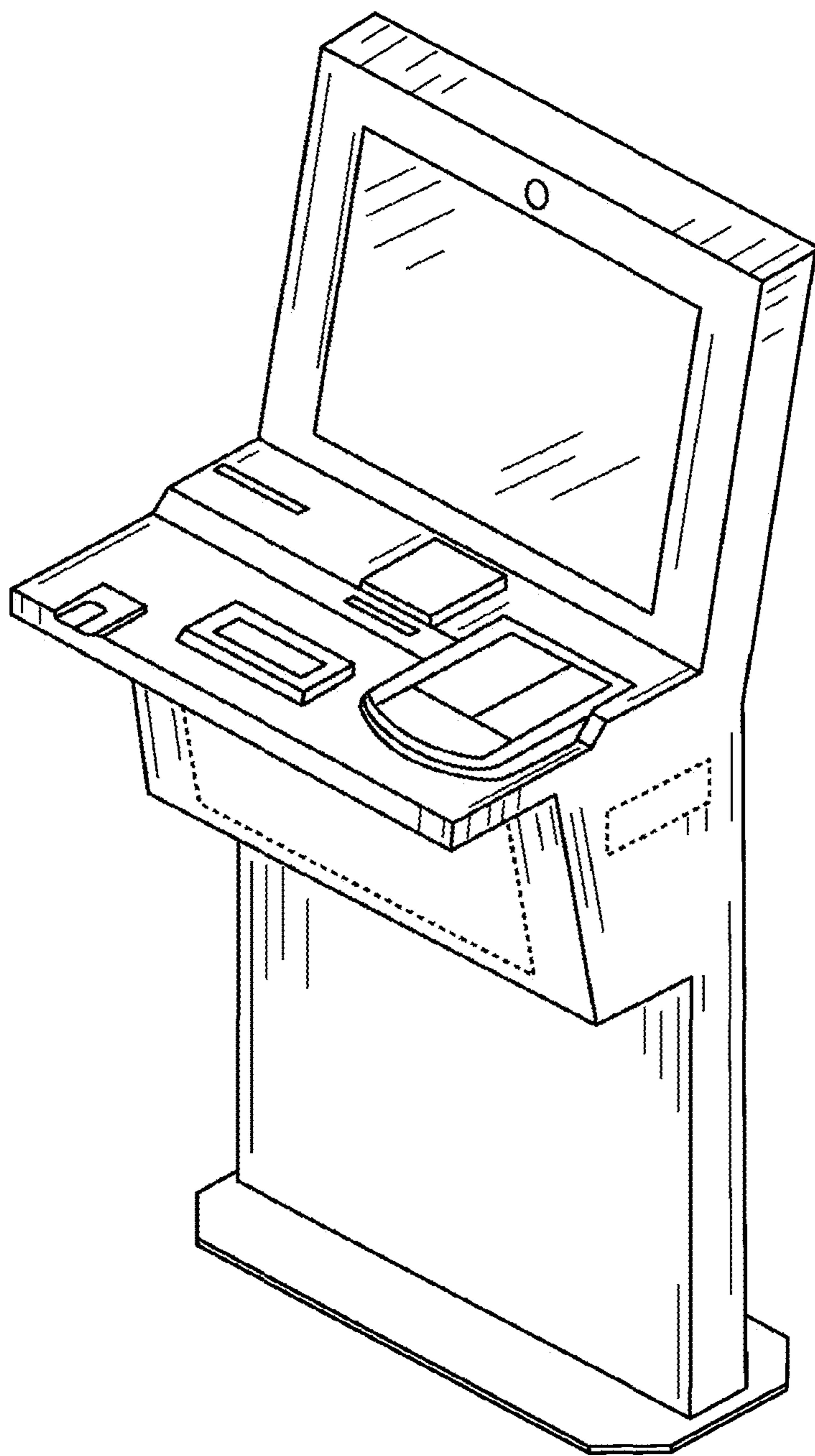


FIG. 1

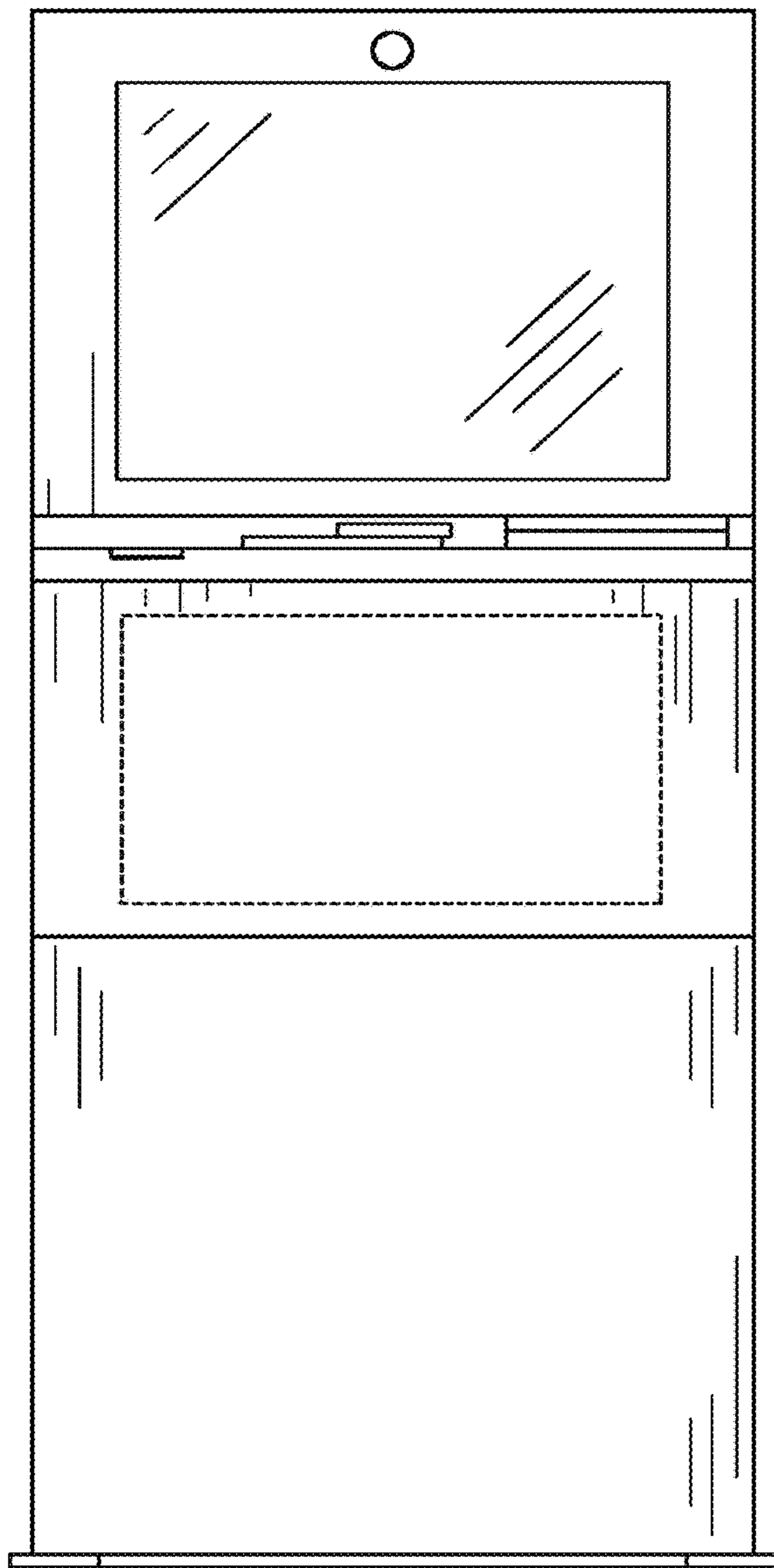


FIG. 2

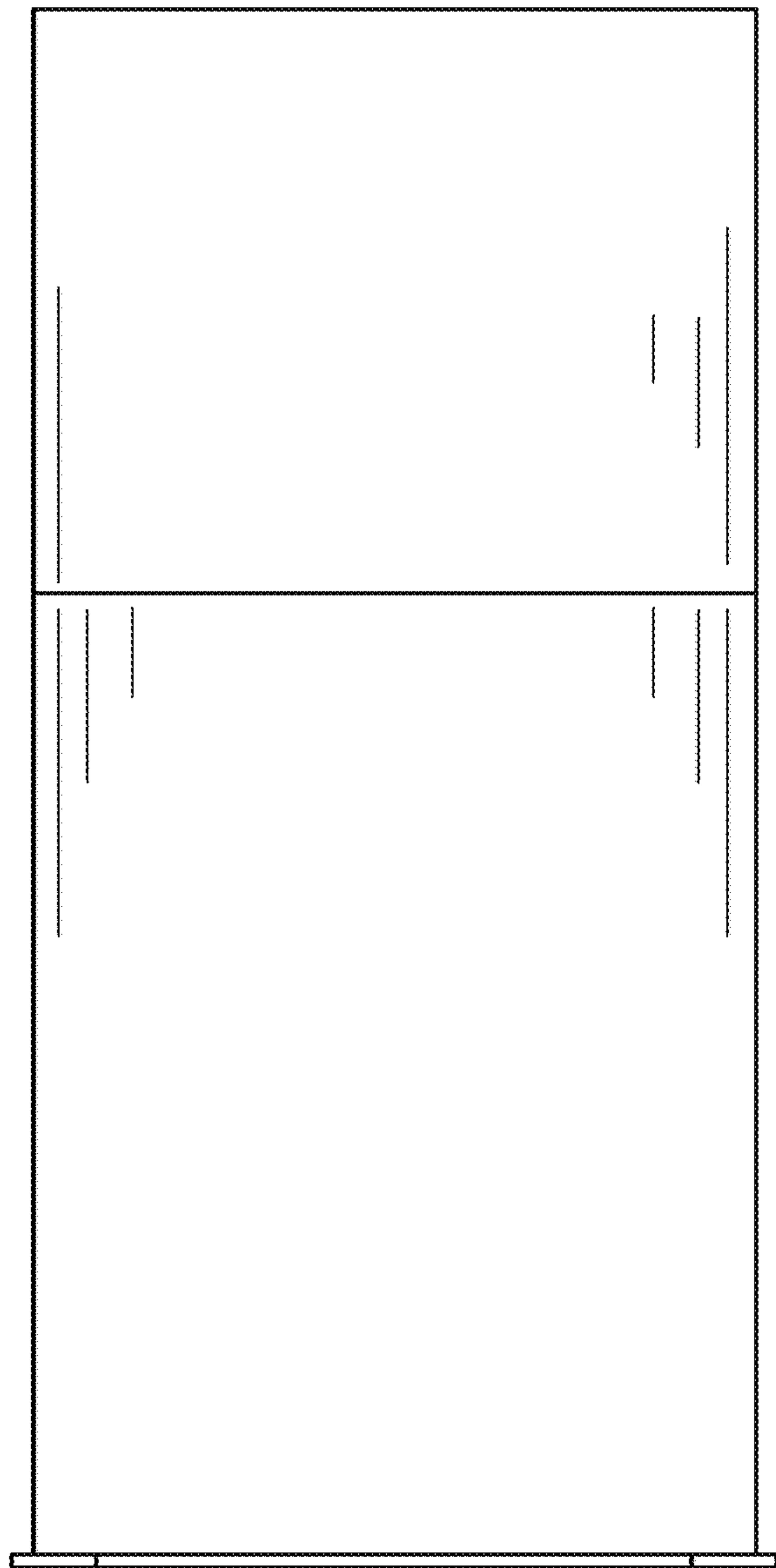


FIG. 3

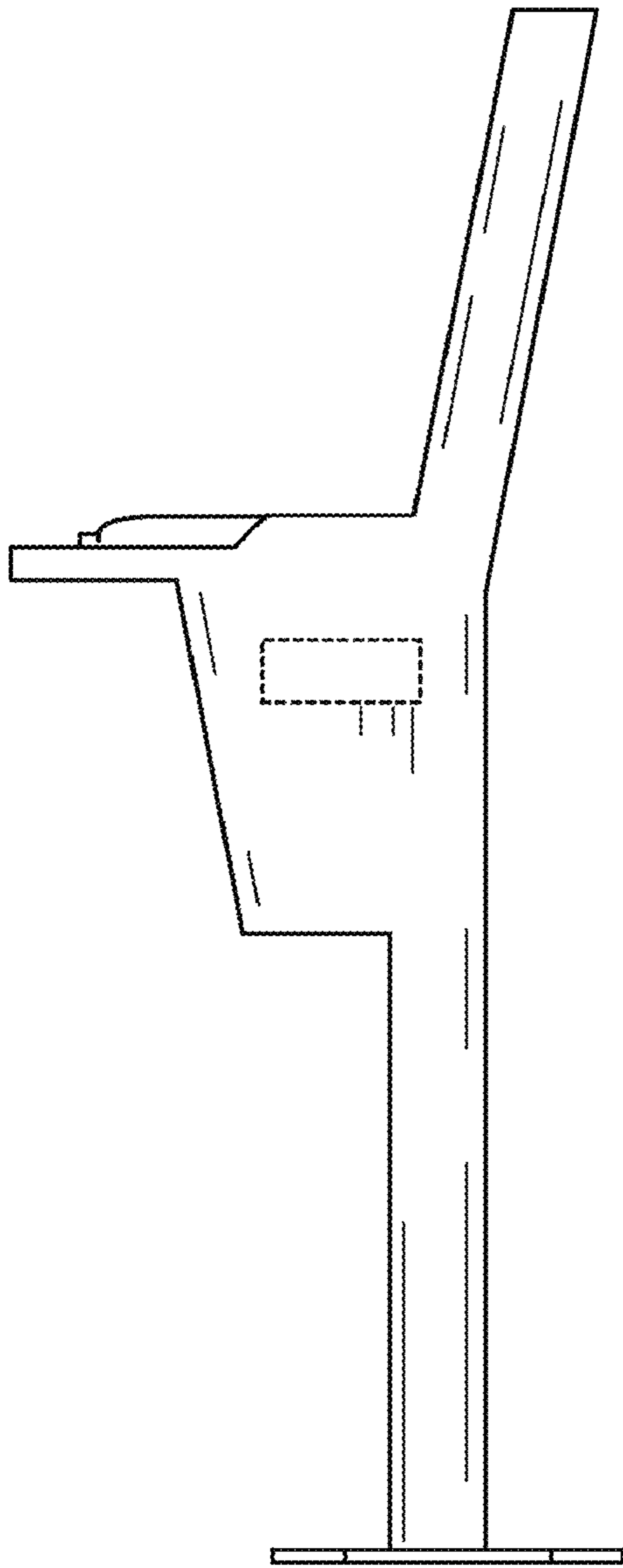


FIG. 4

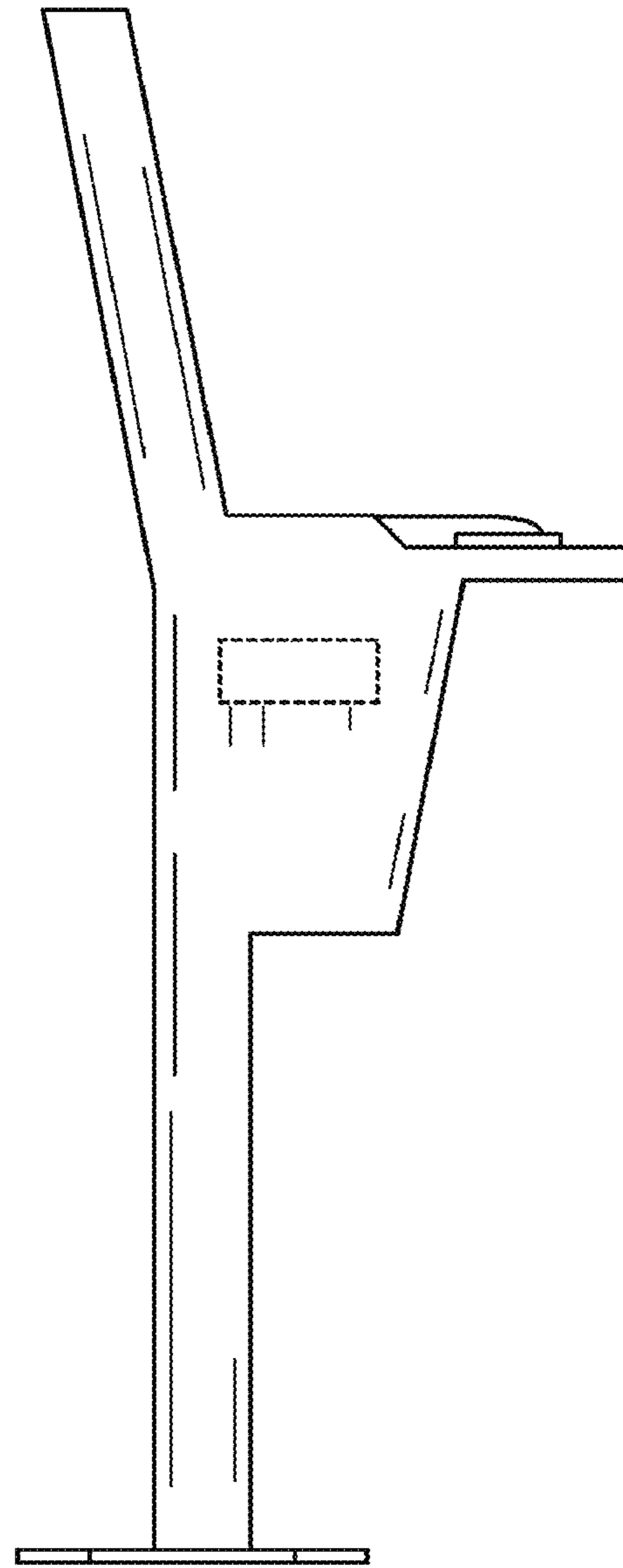


FIG. 5

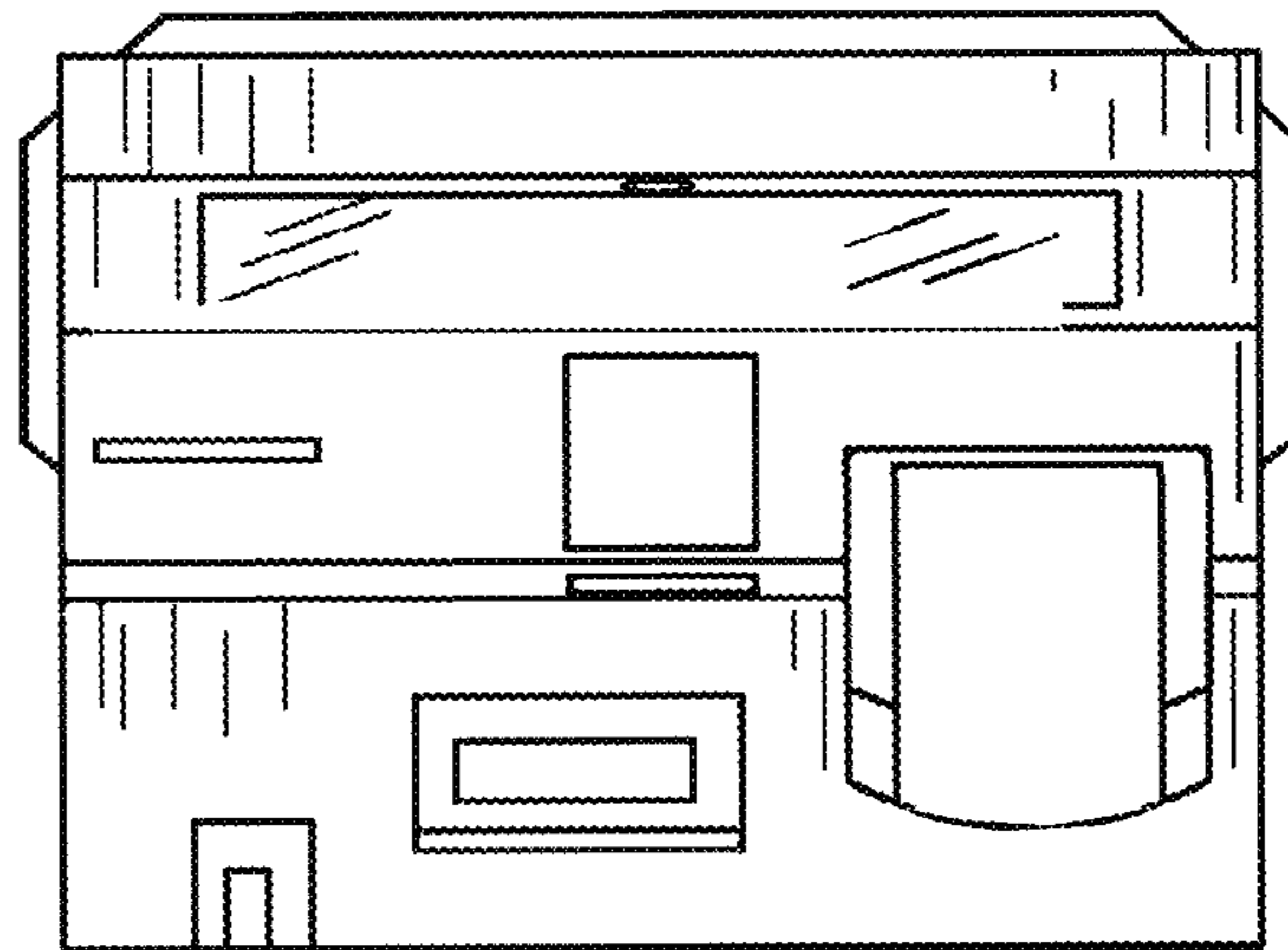


FIG. 6

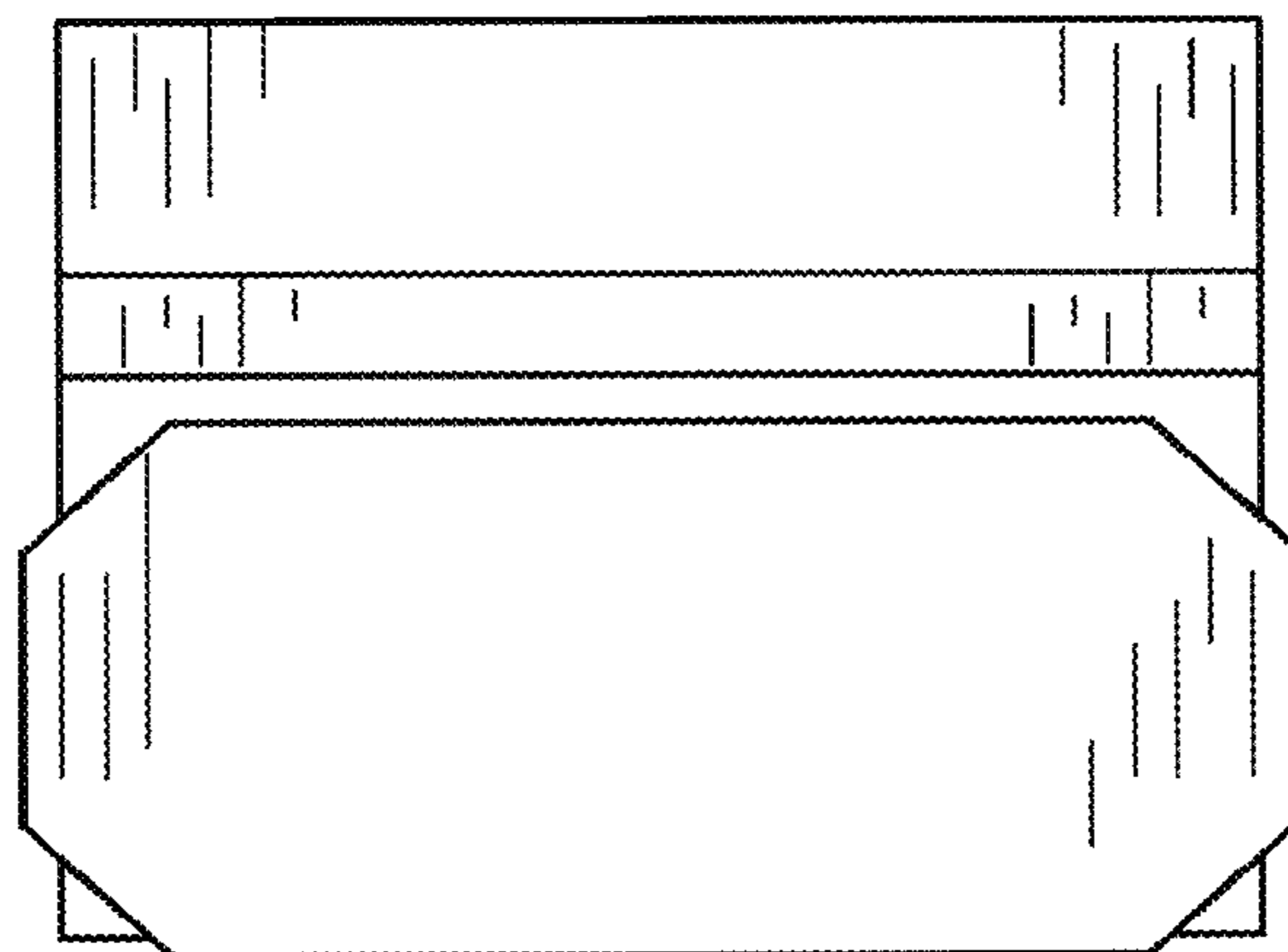


FIG. 7