



US00D918894S

(12) **United States Design Patent** (10) **Patent No.:** **US D918,894 S**
Hansen (45) **Date of Patent:** **** May 11, 2021**

(54) **DISPLAY AND OPERATING UNIT**

(71) Applicant: **Pyramid Computer GmbH**, Freiburg (DE)

(72) Inventor: **Friedrich Hansen**, Freiburg (DE)

(73) Assignee: **Pyramid Computer GmbH**, Freiburg (DE)

(**) Term: **15 Years**

(21) Appl. No.: **29/745,164**

(22) Filed: **Aug. 4, 2020**

D743,956 S *	11/2015	Kraft	D14/307
9,256,720 B2	2/2016	Berini		
D751,061 S *	3/2016	Berini		
D760,711 S	7/2016	Berini		
D778,276 S	2/2017	Berini		
D815,628 S	4/2018	Berini		
D818,464 S	5/2018	Berini		
D829,706 S	10/2018	Berini		
D840,390 S	2/2019	Mangeot		
D842,930 S *	3/2019	Johnson	D21/369
D843,468 S *	3/2019	Johnson	D21/369
D848,414 S	5/2019	Gardens		
D854,538 S	7/2019	Szeredi		
D858,512 S	9/2019	Angelopoulos		
D879,405 S *	3/2020	Morishita	D99/43
D887,403 S *	6/2020	Matsushita	D14/307
D890,851 S *	7/2020	Johnson	D21/369
2016/0093143 A1 *	3/2016	Lamb	G07F 17/3211 463/20
2017/0039803 A1 *	2/2017	Lesley	G07F 17/3216
2017/0092052 A1 *	3/2017	McKay	G07F 17/3216

Related U.S. Application Data

(62) Division of application No. 29/674,069, filed on Dec. 19, 2018, now Pat. No. Des. 895,603.

(51) **LOC (13) Cl.** **14-02**

(52) **U.S. Cl.**
USPC **D14/307**

(58) **Field of Classification Search**
USPC D14/302-307, 900-902; D13/163;
D20/10; D21/332, 325, 369, 370;
D99/28; D6/397, 466; 194/206;
361/679.01, 679.02, 679.04, 679.21,
361/679.57, 725

CPC G06Q 20/18; G06Q 20/10; G06Q 20/123;
G06Q 20/20; G06Q 30/02; G06Q 30/06;
A47F 9/047

See application file for complete search history.

(56) **References Cited**

U.S. PATENT DOCUMENTS

D532,417 S *	11/2006	Becker	D14/307
D574,377 S *	8/2008	Derocher	D14/307
D639,800 S *	6/2011	Magruder	D14/307
D732,015 S *	6/2015	Alekhin	D14/307
D742,870 S	11/2015	Berini		

* cited by examiner

Primary Examiner — Austin Murphy

(74) *Attorney, Agent, or Firm* — Volpe Koenig

(57) **CLAIM**

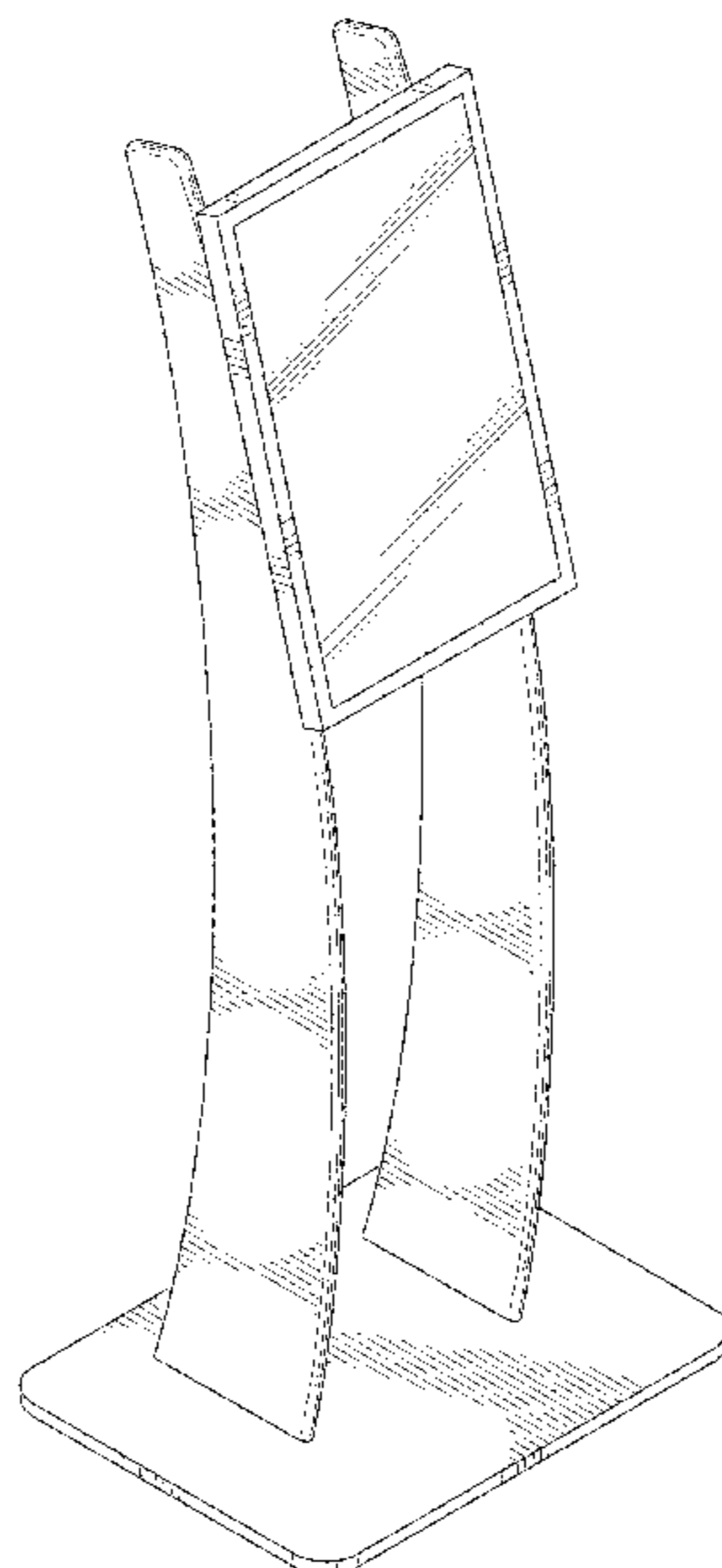
The ornamental design for a display and operating unit, as shown and described.

DESCRIPTION

FIG. 1 is a top, front, left perspective view of a display and operating unit in accordance with my design;
FIG. 2 is a front elevational view thereof;
FIG. 3 is a rear elevational view thereof;
FIG. 4 is a right side elevational view thereof;
FIG. 5 is a left side elevational view thereof;
FIG. 6 is a top plan view thereof; and,
FIG. 7 is a top, front perspective view thereof.

The broken lines represent portions of the display and operating unit that form no part of the claimed design.

1 Claim, 7 Drawing Sheets



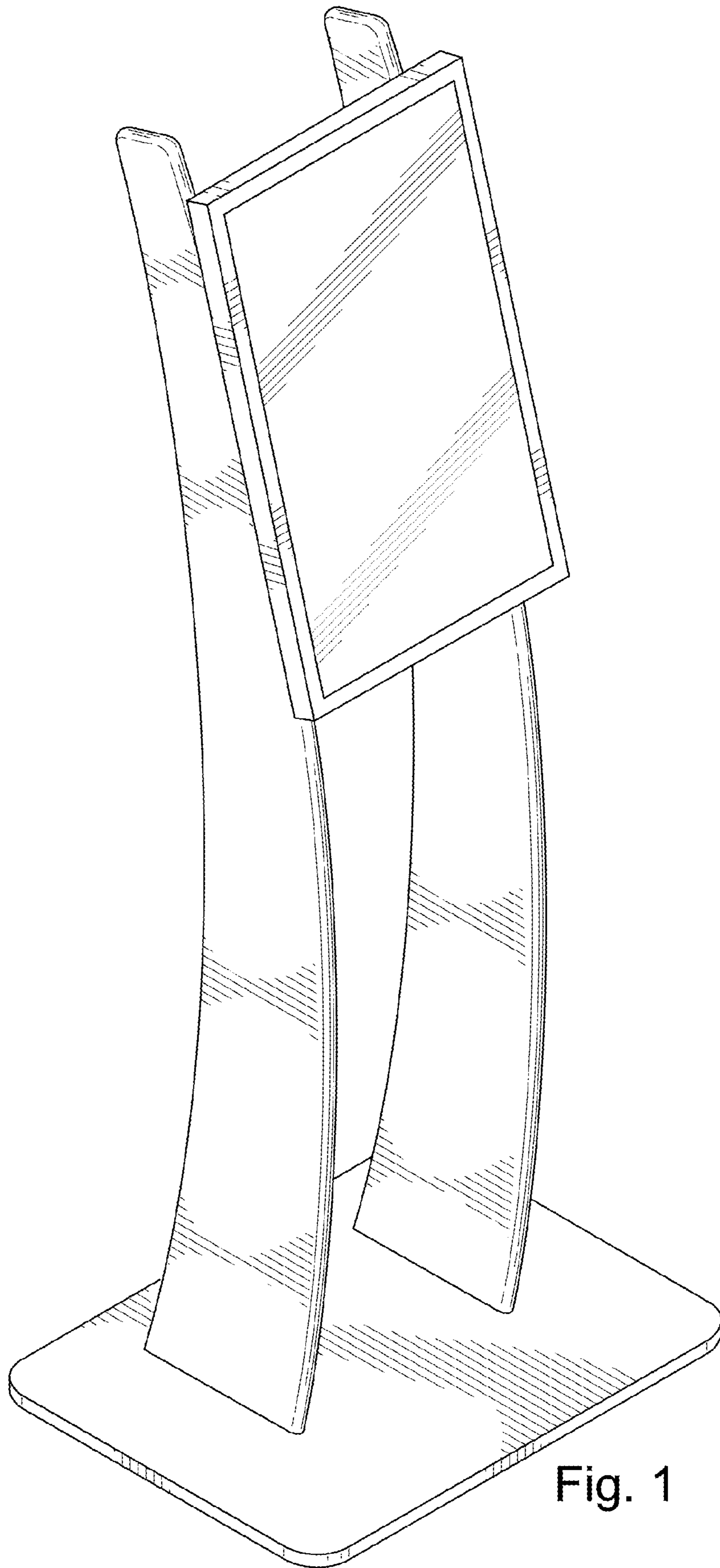


Fig. 1

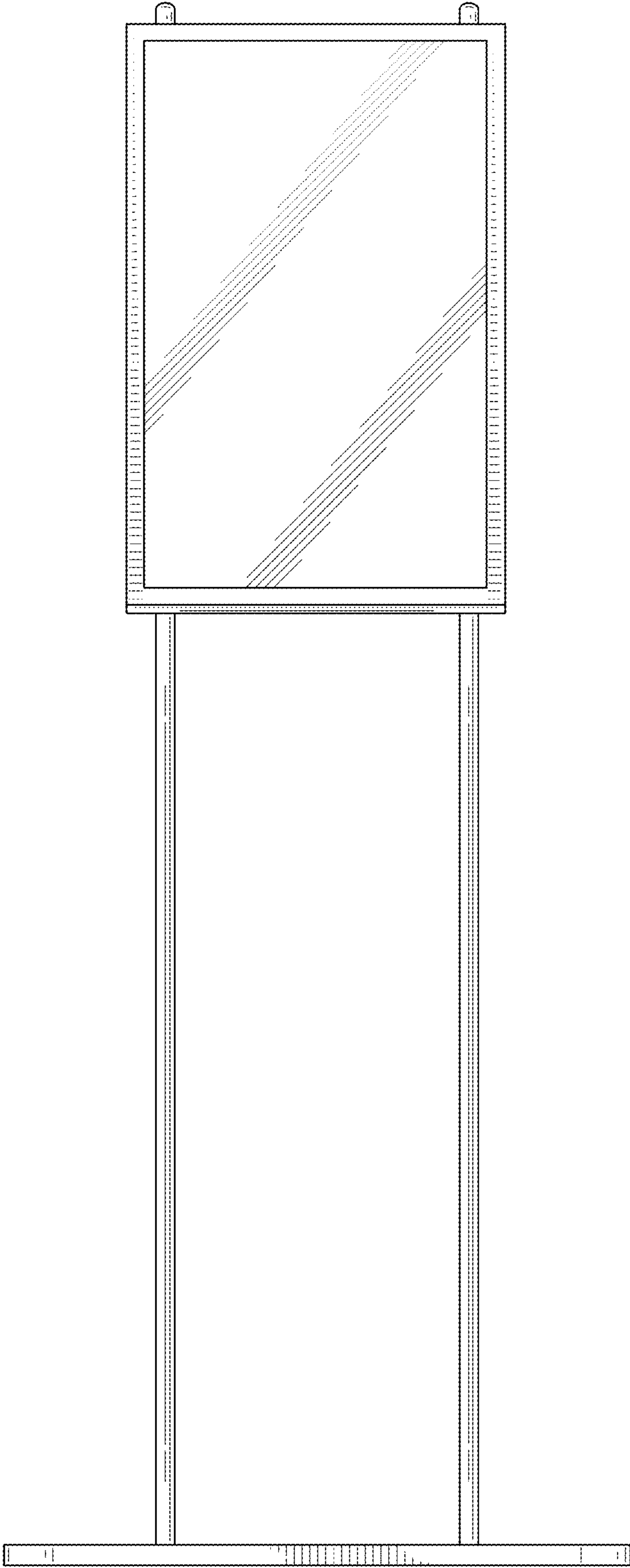


Fig. 2

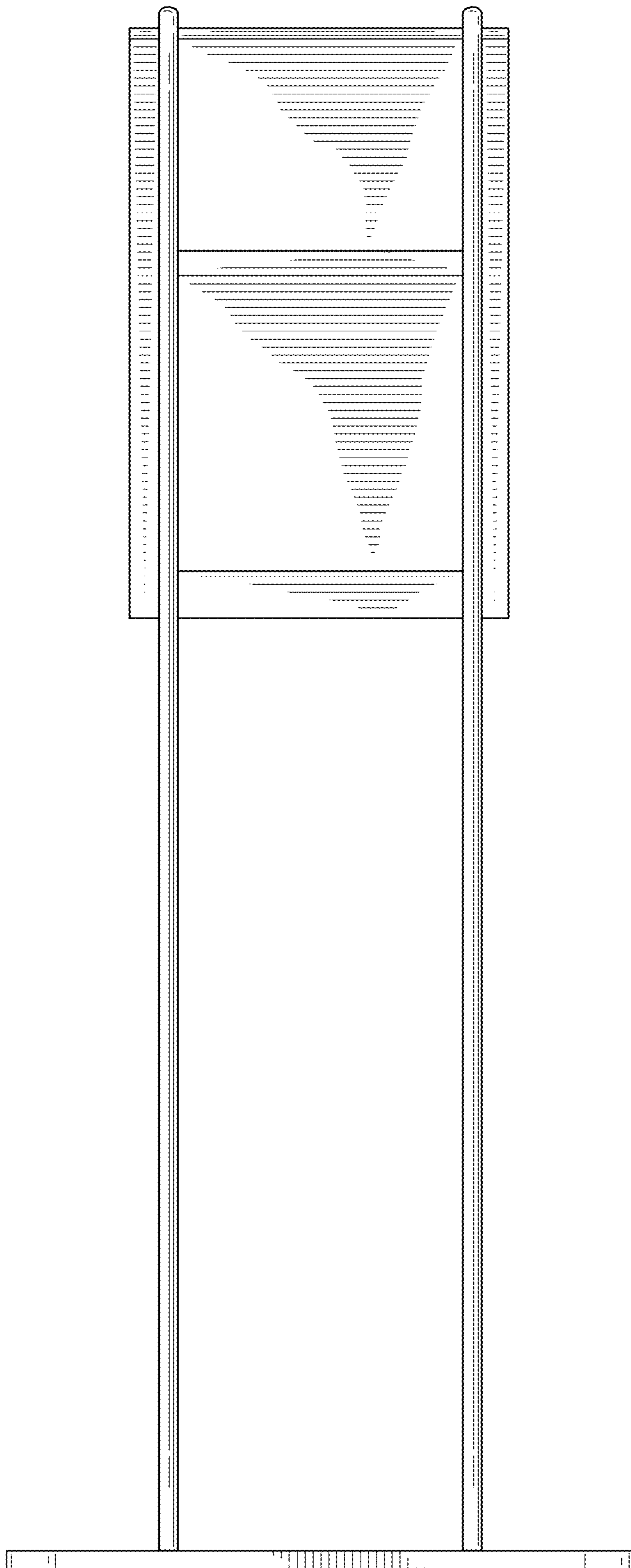


Fig. 3

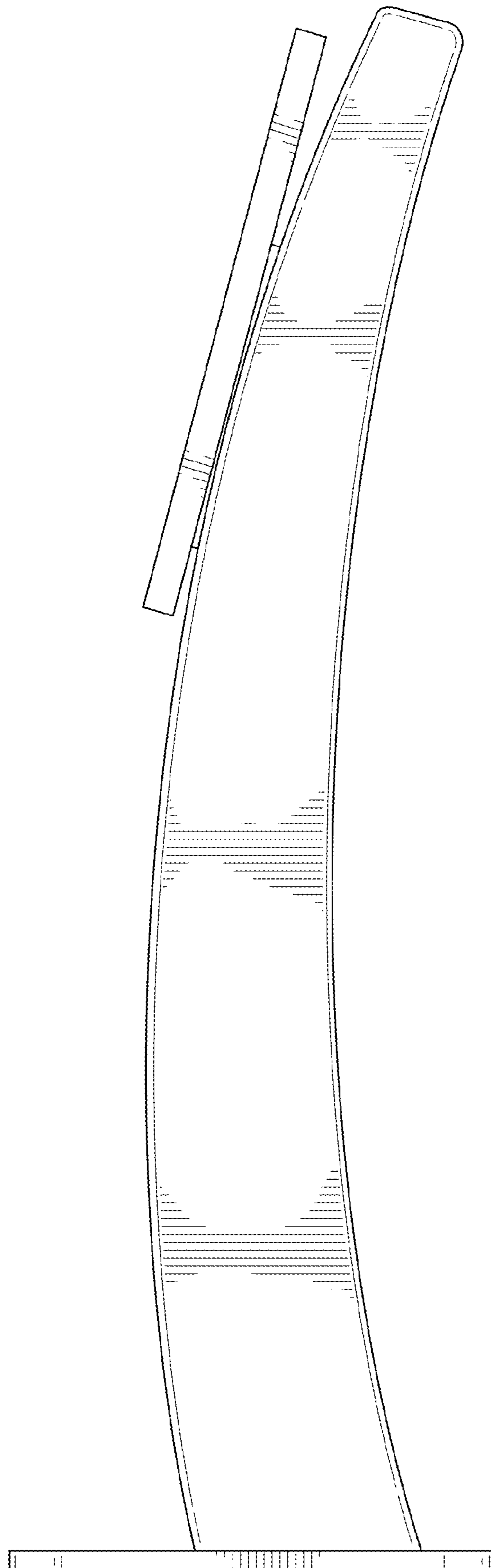


Fig. 4

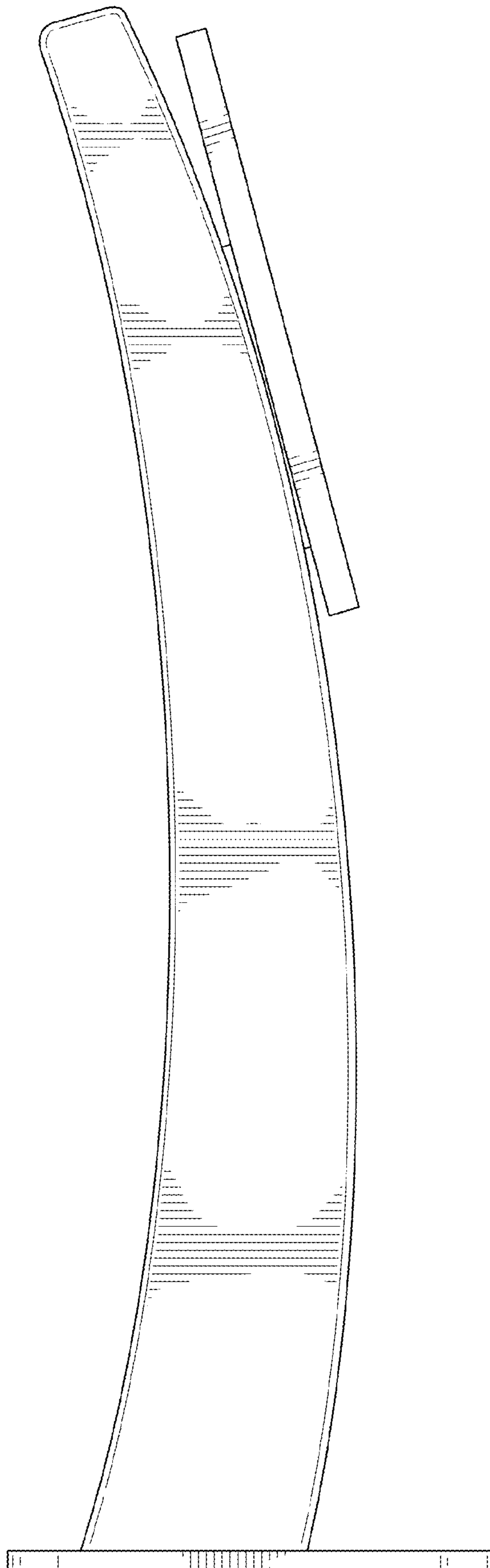


Fig. 5

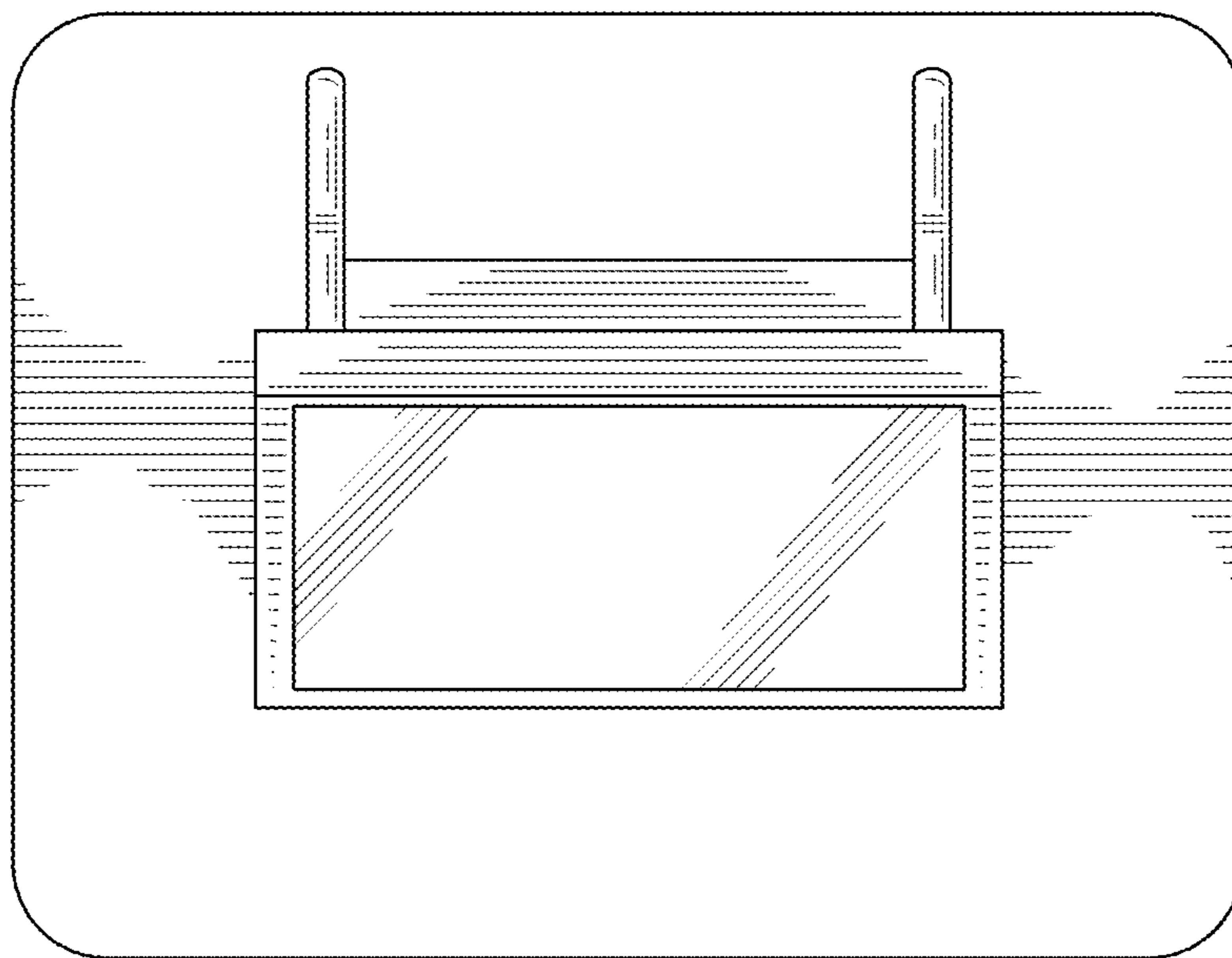


Fig. 6

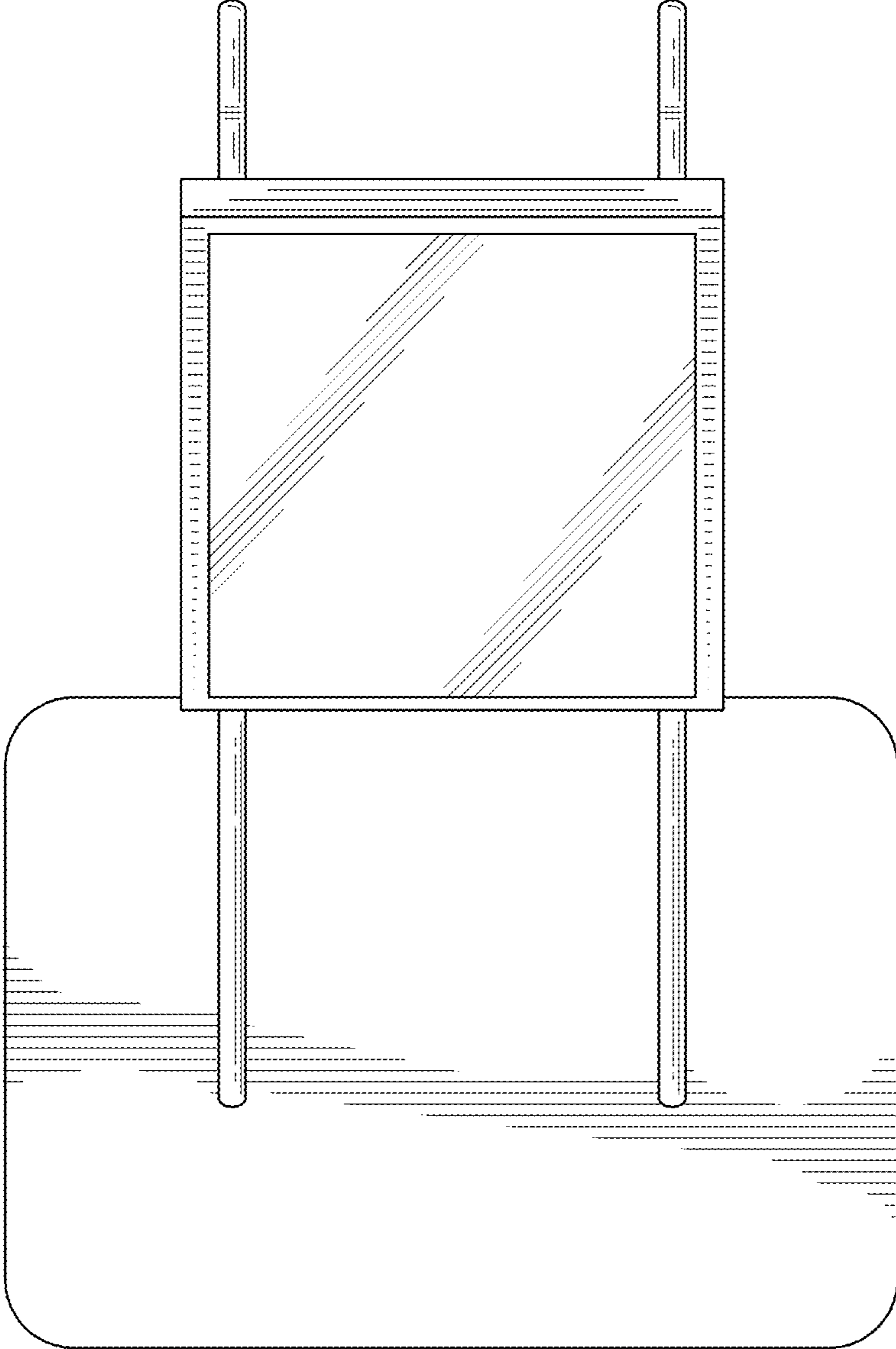


Fig. 7