



US00D918891S

(12) **United States Design Patent** (10) **Patent No.:** **US D918,891 S**
Lee (45) **Date of Patent:** **** May 11, 2021**

(54) **ACCESSORY FOR ELECTRONIC DEVICE**

(71) Applicant: **elago CO. LTD**, Goyang-si (KR)

(72) Inventor: **Chanwoo Lee**, Goyang-si (KR)

(73) Assignee: **elago CO. LTD**, Goyang-si (KR)

(**) Term: **15 Years**

(21) Appl. No.: **29/764,454**

(22) Filed: **Dec. 30, 2020**

(51) **LOC (13) Cl.** **14-03**

(52) **U.S. Cl.**
USPC **D14/253**; D3/218

(58) **Field of Classification Search**
USPC D14/251-253, 447, 440; D12/415;
D3/218; D8/349; D13/108; D16/135
CPC H04M 1/04; H04M 1/06; H04M 1/11;
H04M 1/12; H04M 1/13; A45F
2200/0516; A45F 2200/0525
See application file for complete search history.

(56) **References Cited**

U.S. PATENT DOCUMENTS

D693,818	S	11/2013	Webber	
8,672,374	B1	3/2014	Webber	
D733,147	S	6/2015	Stevens et al.	
9,179,565	B2	11/2015	Cho	
D749,069	S *	2/2016	Senoff	D14/251
D749,559	S *	2/2016	Senoff	D14/251
D765,662	S *	9/2016	Kang	D14/439
9,486,910	B2	11/2016	Stevens et al.	
D809,449	S	2/2018	Zhang	
D815,086	S *	4/2018	Jeon	D14/251
D837,781	S	1/2019	Ingram et al.	
D844,598	S *	4/2019	Jang	D14/251
D857,688	S *	8/2019	Ren	D14/253
D858,507	S *	9/2019	Jang	D14/251
D866,546	S *	11/2019	Stillwell	D14/253

D871,389	S *	12/2019	Lim	D14/253
10,627,046	B1	4/2020	Jang	
D885,376	S *	5/2020	He	D14/253
D902,194	S *	11/2020	Gluck	D14/253
D904,386	S *	12/2020	Luo	D14/253
D906,328	S *	12/2020	Kim	D14/253
2013/0146625	A1	6/2013	Karle et al.	

FOREIGN PATENT DOCUMENTS

CN	304463958	1/2018
CN	305089698	4/2019
CN	305376344	10/2019
CN	305376345	10/2019
DE	102013004316 A1	9/2014

(Continued)

Primary Examiner — Janice Hallmark

(74) *Attorney, Agent, or Firm* — Paratus Law Group, PLLC

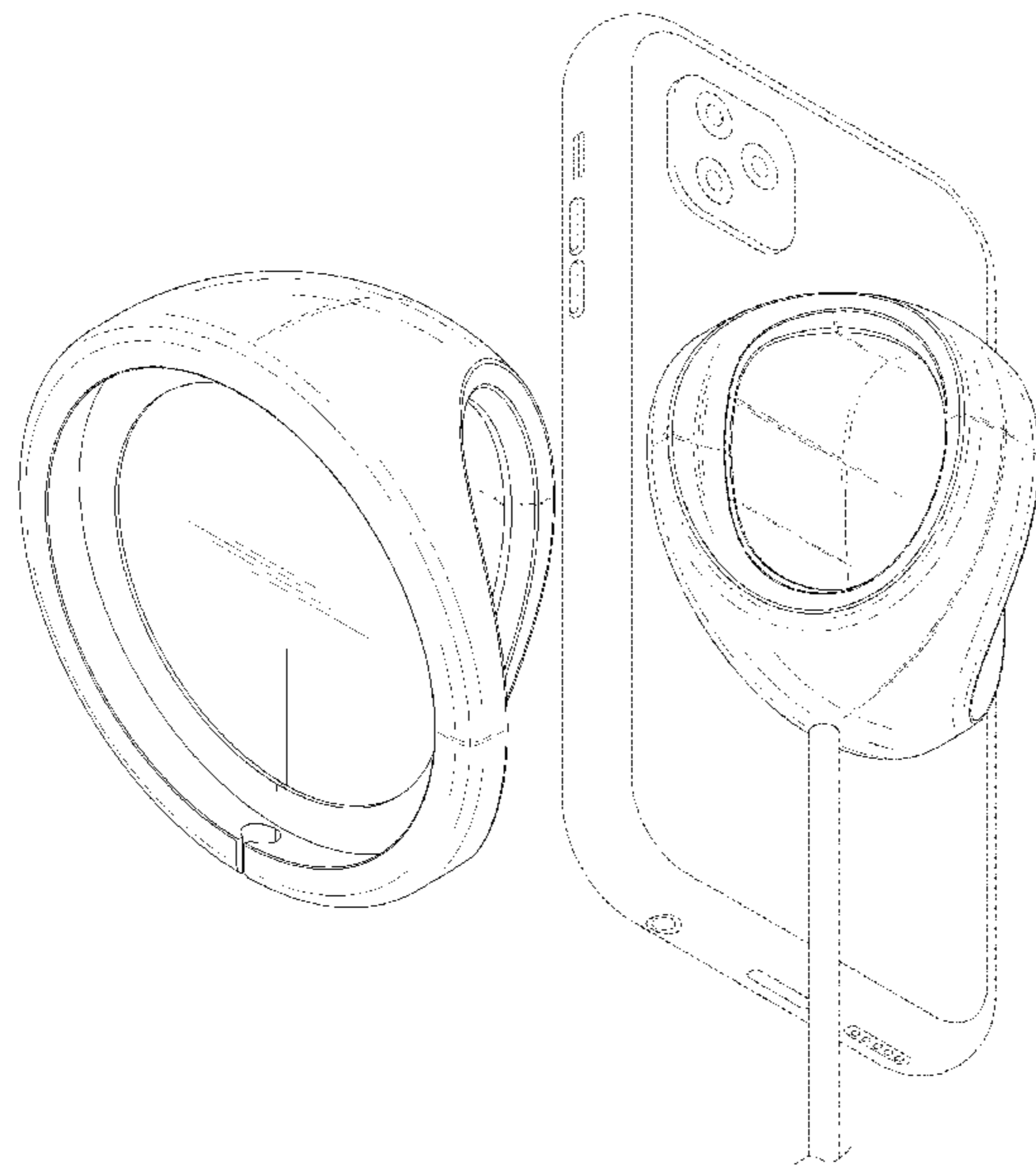
(57) **CLAIM**

The ornamental design for an accessory for electronic device, as shown and described.

DESCRIPTION

FIG. 1 is a front, top, and left-side perspective view of an accessory for electronic device showing my new design; FIG. 2 is a front view thereof; FIG. 3 is a back view thereof; FIG. 4 is a left-side view thereof; FIG. 5 is a right-side view thereof; FIG. 6 is a top view thereof; FIG. 7 is a bottom view thereof; FIG. 8 is a back, top, and left-side perspective view thereof; and, FIG. 9 is a back, bottom, and left-side perspective view thereof in use. The broken lines shown in FIG. 9 depict environment and form no part of the claimed design.

1 Claim, 7 Drawing Sheets



(56)

References Cited

FOREIGN PATENT DOCUMENTS

KR	1020120035810 A	4/2012
KR	300881227.0000	11/2016
KR	20-0492029 Y1	7/2020

* cited by examiner

FIG. 1

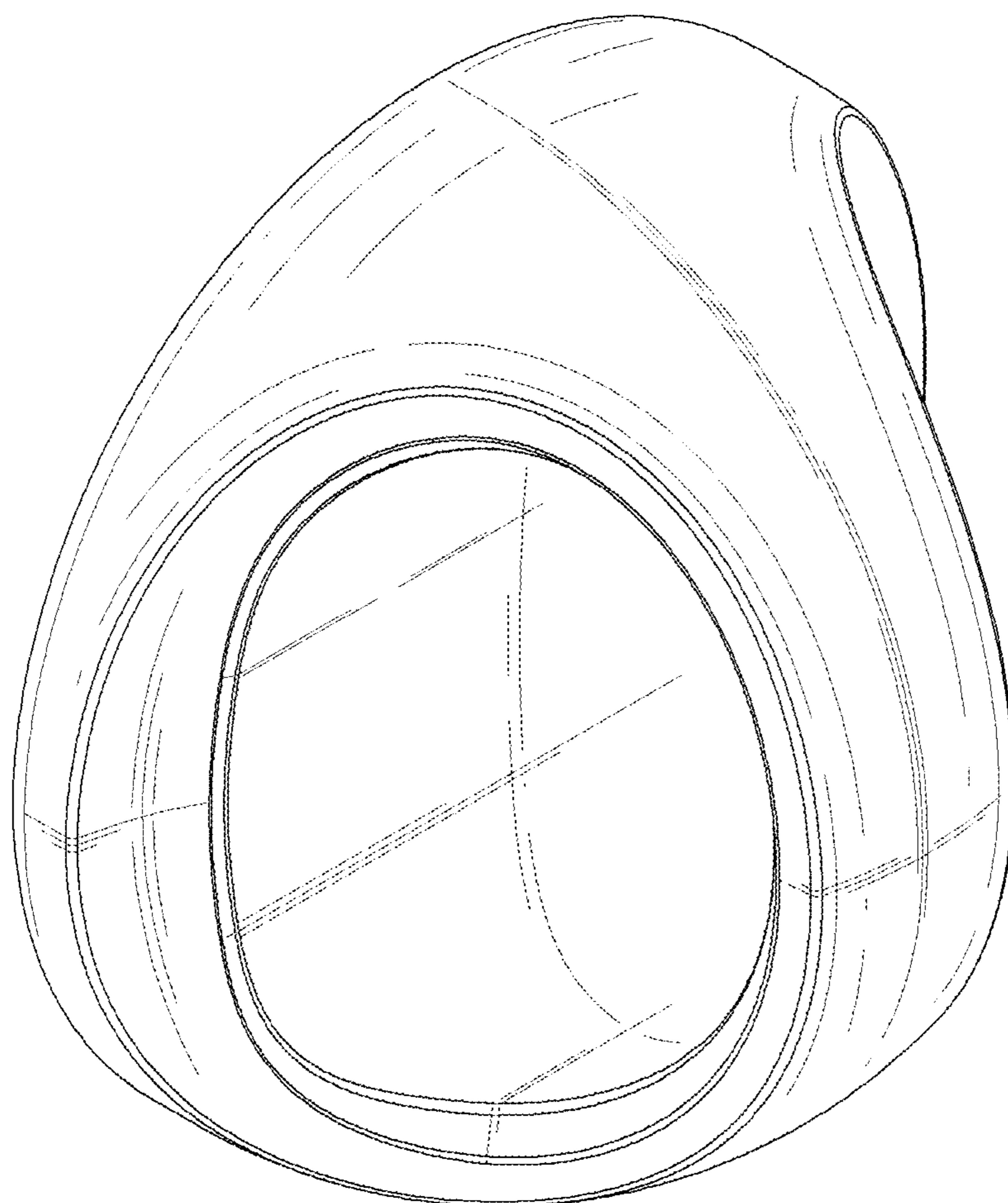


FIG. 2

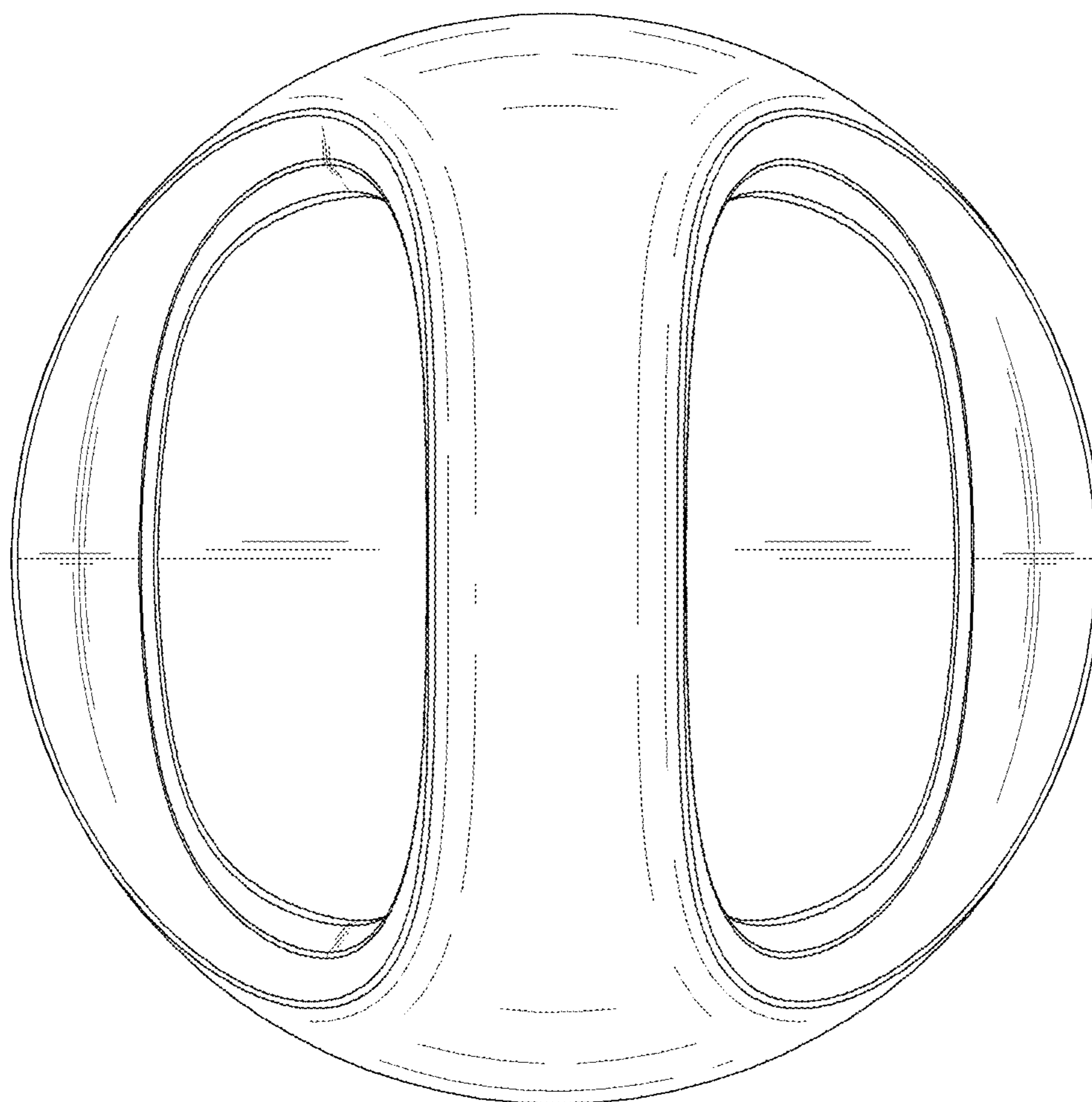


FIG. 3

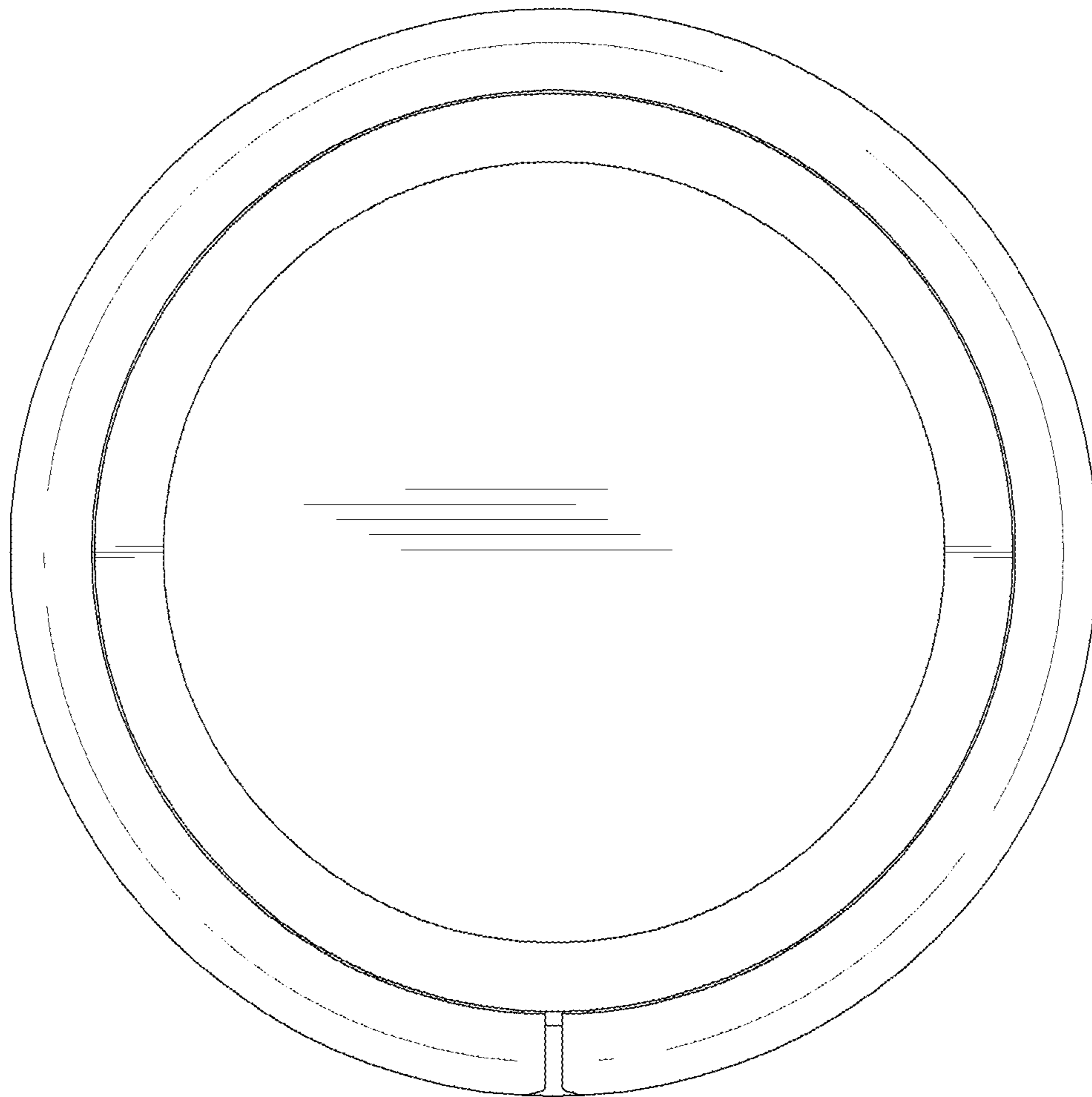


FIG. 4

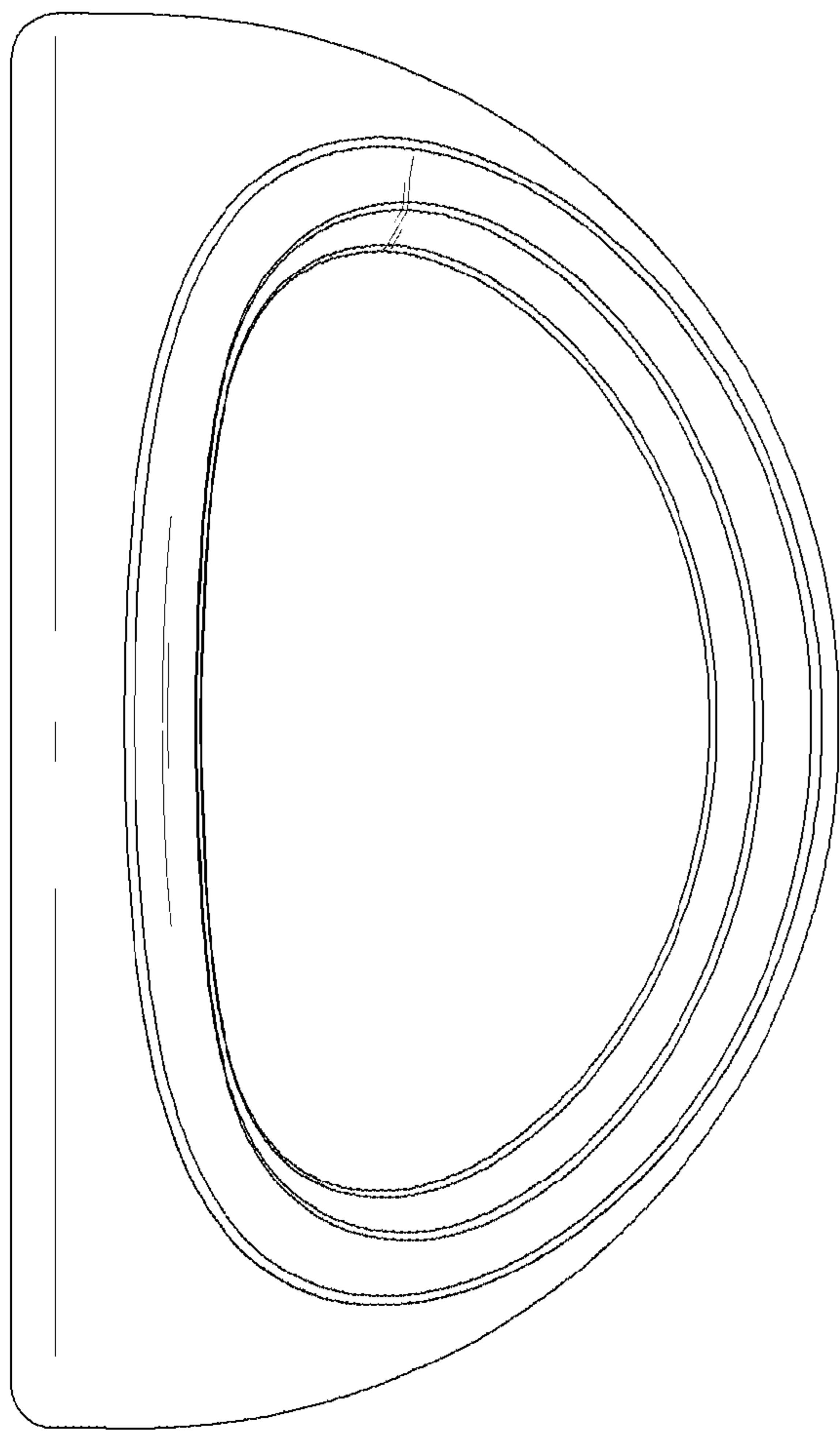


FIG. 5

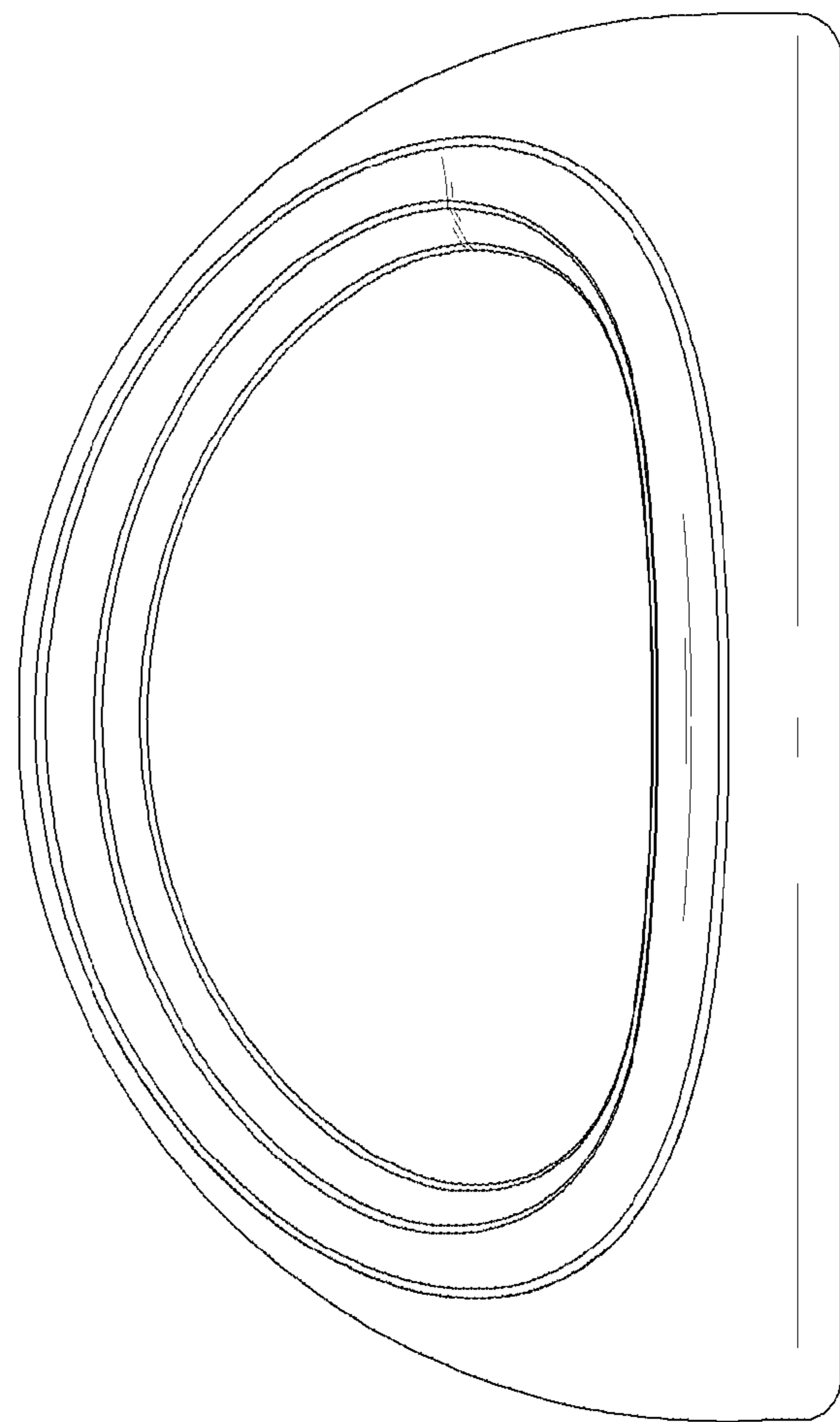


FIG. 6

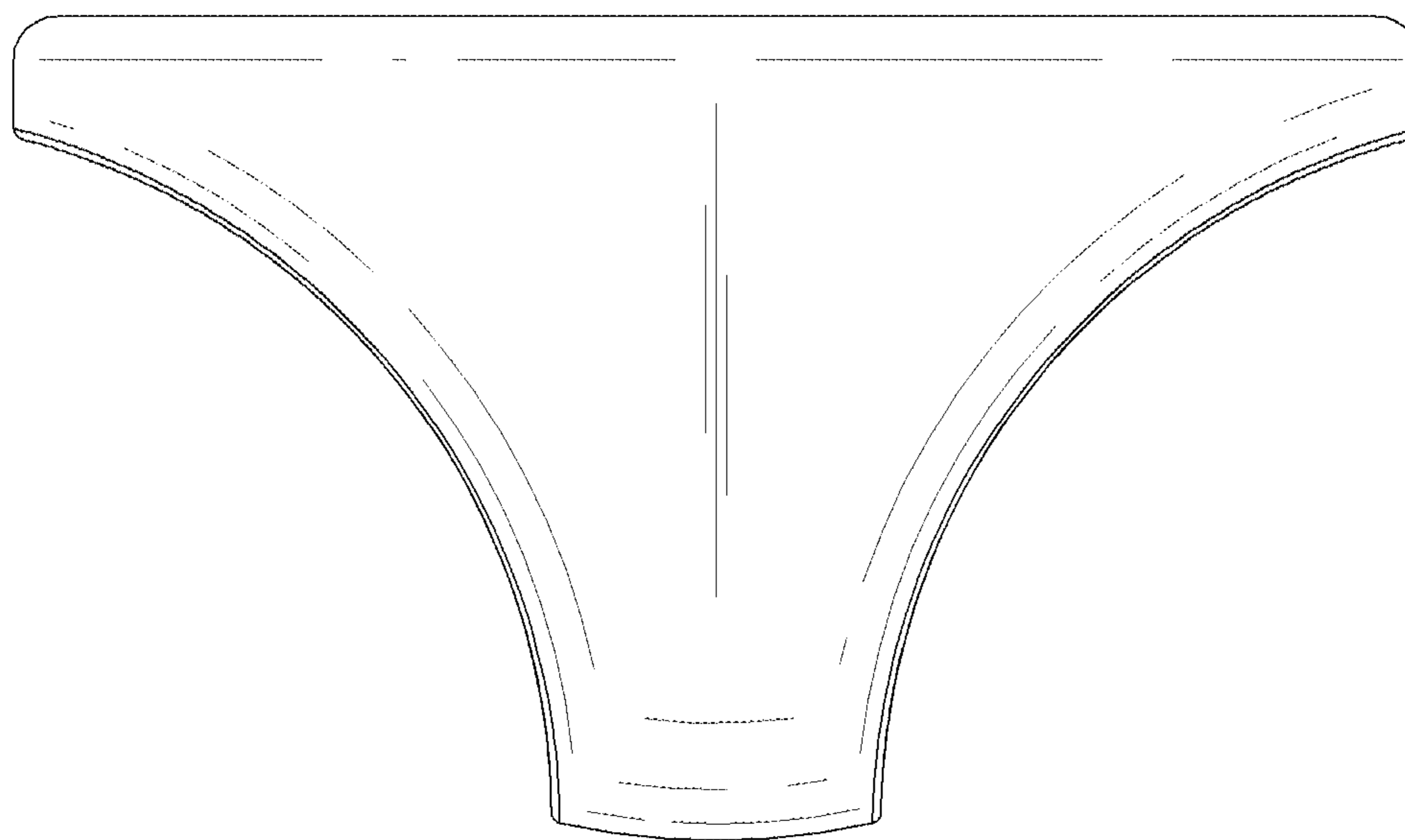


FIG. 7

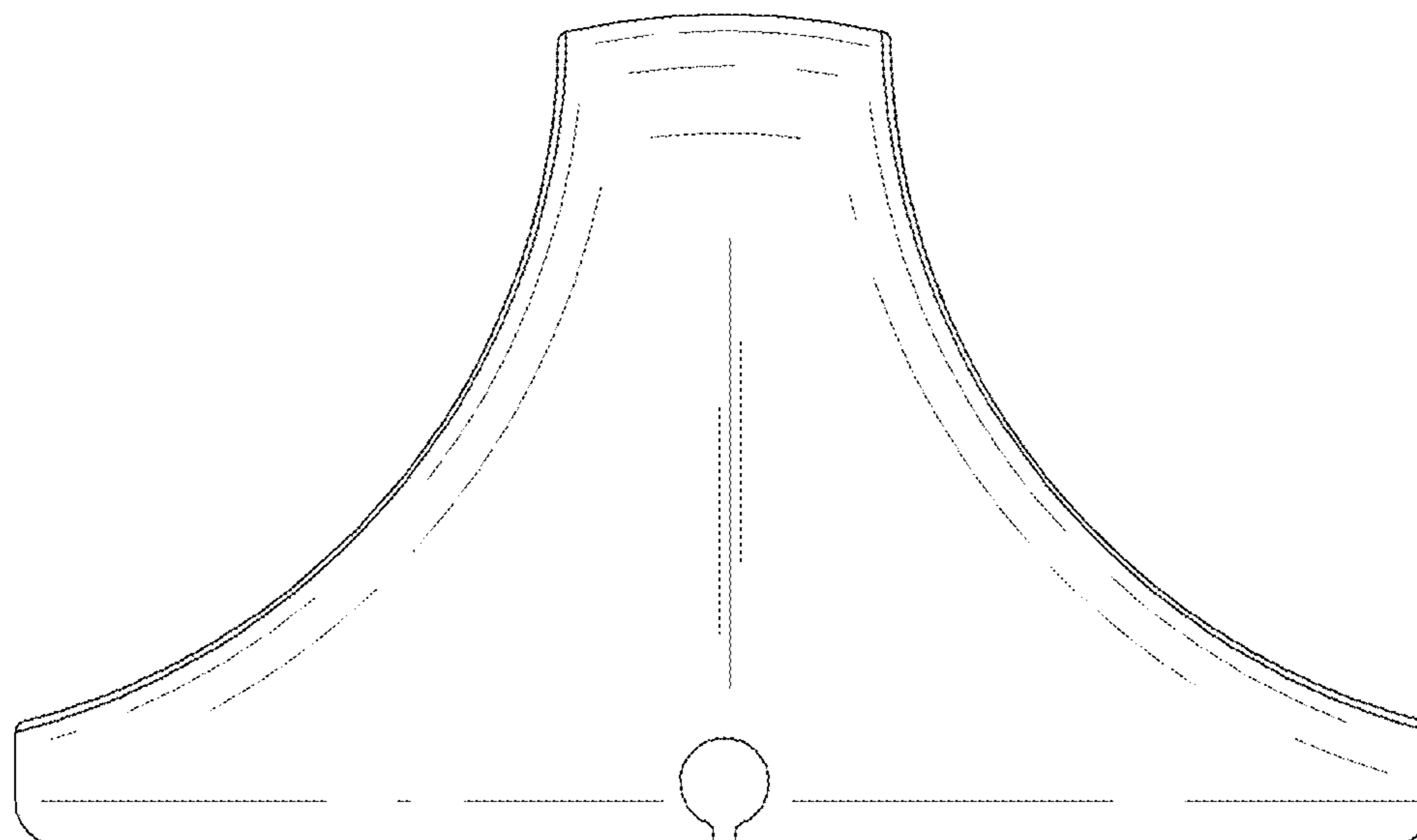


FIG. 8

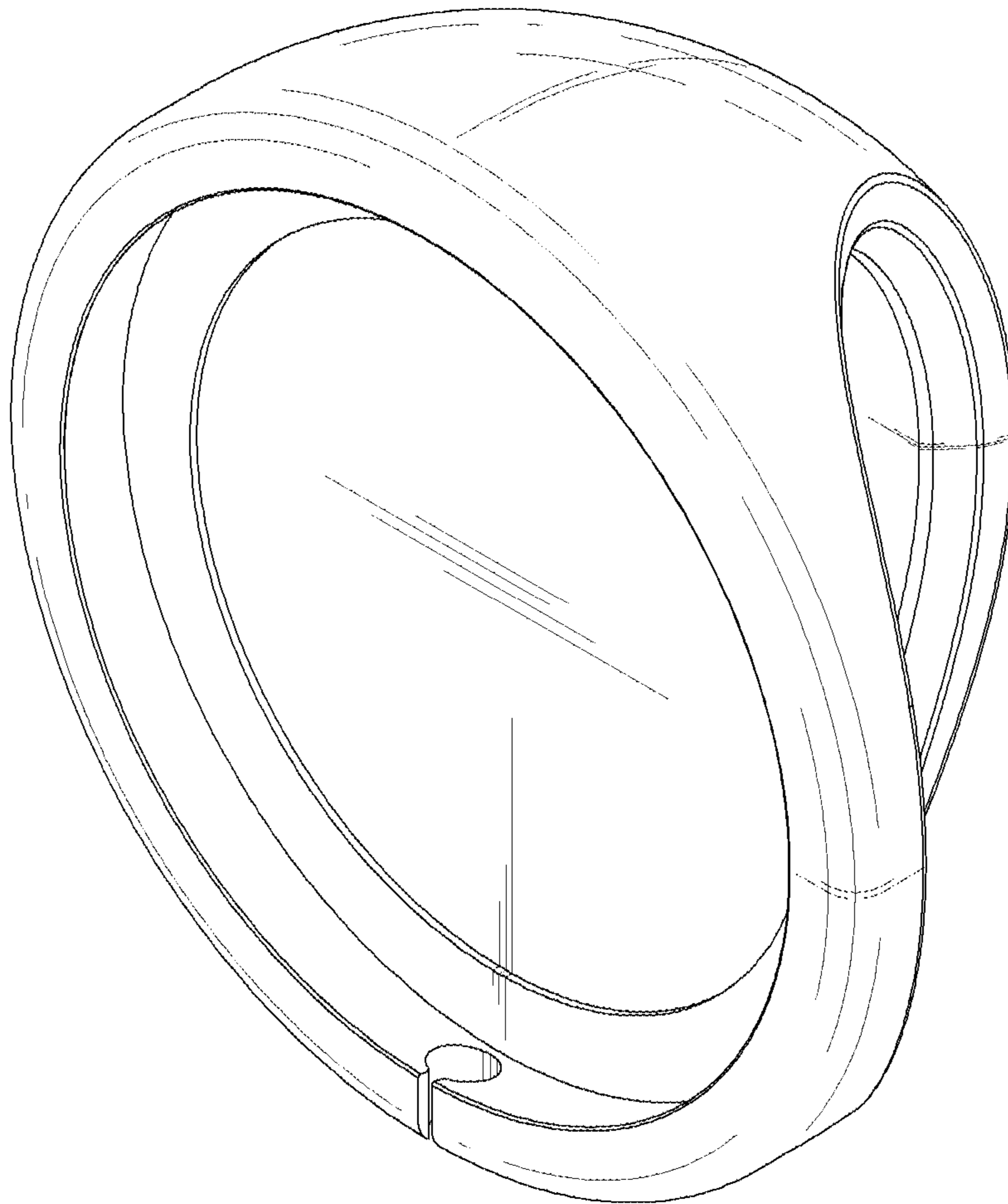


FIG. 9

