



US00D918890S

(12) **United States Design Patent**  
**Wang**

(10) **Patent No.:** **US D918,890 S**

(45) **Date of Patent:** **\*\* May 11, 2021**

(54) **STAND FOR SMARTPHONES AND SMARTWATCHES**

(71) Applicant: **Youngong Wang**, Guangdong (CN)

(72) Inventor: **Youngong Wang**, Guangdong (CN)

(\*\*) Term: **15 Years**

(21) Appl. No.: **29/762,722**

(22) Filed: **Dec. 18, 2020**

(51) **LOC (13) Cl.** ..... **14-03**

(52) **U.S. Cl.**  
USPC ..... **D14/253**

(58) **Field of Classification Search**  
USPC ..... D14/251-253, 447, 440; D12/415;  
D3/218; D8/349; D13/108  
CPC ..... H04M 1/04; H04B 2001/3861; H04B  
1/3877; H02J 7/0027; A45C 2001/002;  
A45F 2200/0516

See application file for complete search history.

(56) **References Cited**

U.S. PATENT DOCUMENTS

D238,945 S *	2/1976	Macowski	.....	D19/75
D418,166 S *	12/1999	Dill	.....	D19/88
D460,971 S *	7/2002	Sica	.....	D14/434
D516,025 S *	2/2006	Quinn	.....	D13/108
D628,203 S *	11/2010	Noble	.....	D14/447
7,969,732 B1 *	6/2011	Noble	.....	F16M 11/041 361/679.56
D645,047 S *	9/2011	Wike	.....	D14/447
D662,505 S *	6/2012	Mori	.....	D14/447
D693,353 S *	11/2013	Shu	.....	D14/447

D709,065 S *	7/2014	Guyot	.....	D14/253
D719,146 S *	12/2014	Herbst	.....	D14/253
D723,021 S *	2/2015	Guyot	.....	D14/253
D746,807 S *	1/2016	McGarry	.....	D14/253
D748,616 S *	2/2016	Noble	.....	D14/253
9,338,903 B1 *	5/2016	Loscalzo	.....	F16M 13/00
D763,244 S *	8/2016	McGarry	.....	D14/253
D784,978 S *	4/2017	Hobbs	.....	D14/253
D799,464 S *	10/2017	Zaihui	.....	
D865,752 S *	11/2019	Richardson	.....	D14/253
D886,051 S *	6/2020	Chen	.....	
D892,129 S *	8/2020	Bankov	.....	D14/447
D907,573 S *	1/2021	Nie	.....	D13/103
2012/0241581 A1 *	9/2012	Chung	.....	F16M 11/10 248/346.06

\* cited by examiner

*Primary Examiner* — Janice Hallmark

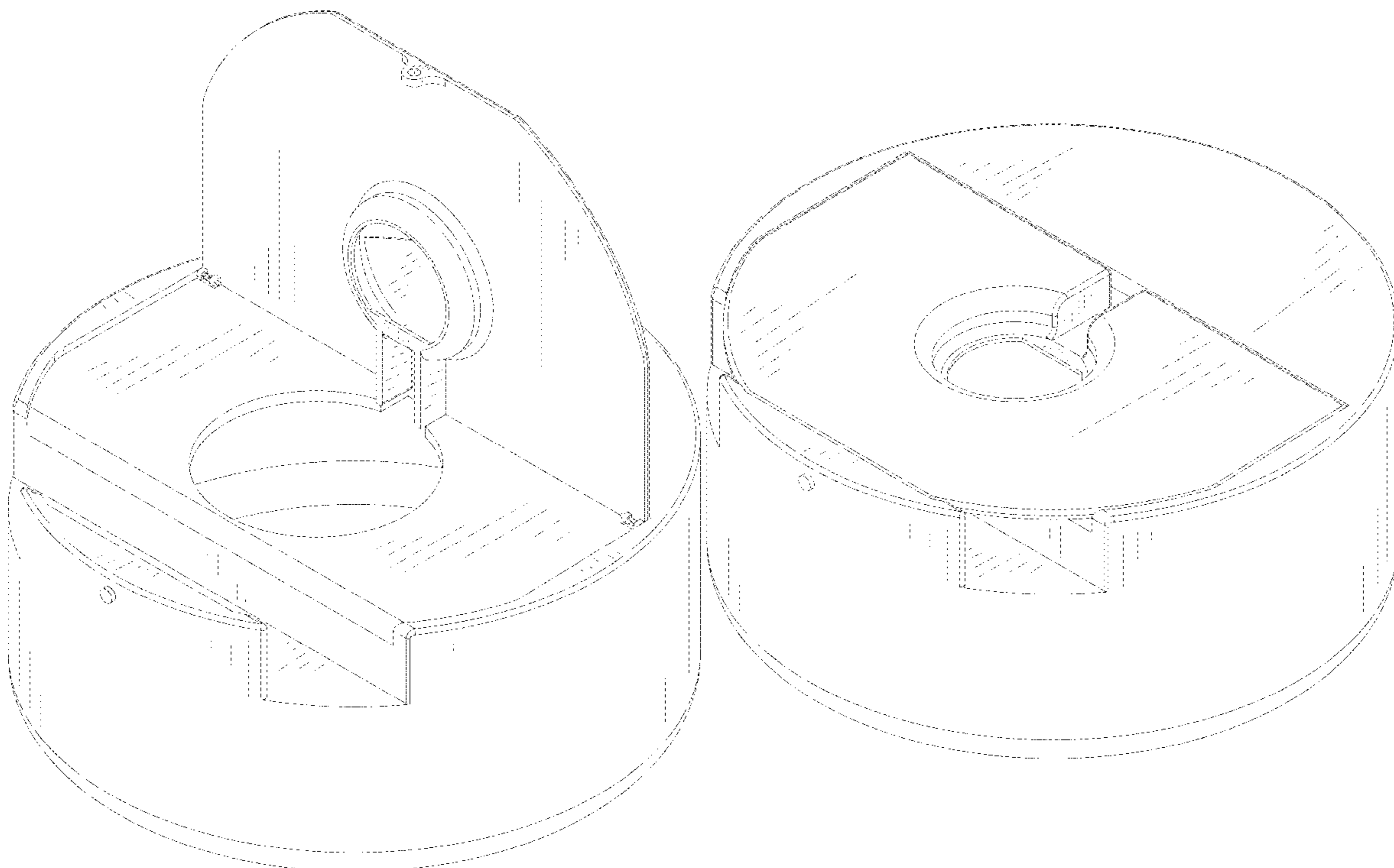
(57) **CLAIM**

The ornamental design for a stand for smartphones and smartwatches, as shown and described.

**DESCRIPTION**

FIG. 1 is a perspective view of a stand for smartphones and smartwatches showing my/our new design;  
FIG. 2 is another perspective view thereof, showing the stand of FIG. 1 in an alternate position;  
FIG. 3 is a front view thereof;  
FIG. 4 is a back view thereof;  
FIG. 5 is a left side view thereof;  
FIG. 6 is a right side view thereof;  
FIG. 7 is a top view thereof; and,  
FIG. 8 is a bottom view thereof.

**1 Claim, 8 Drawing Sheets**



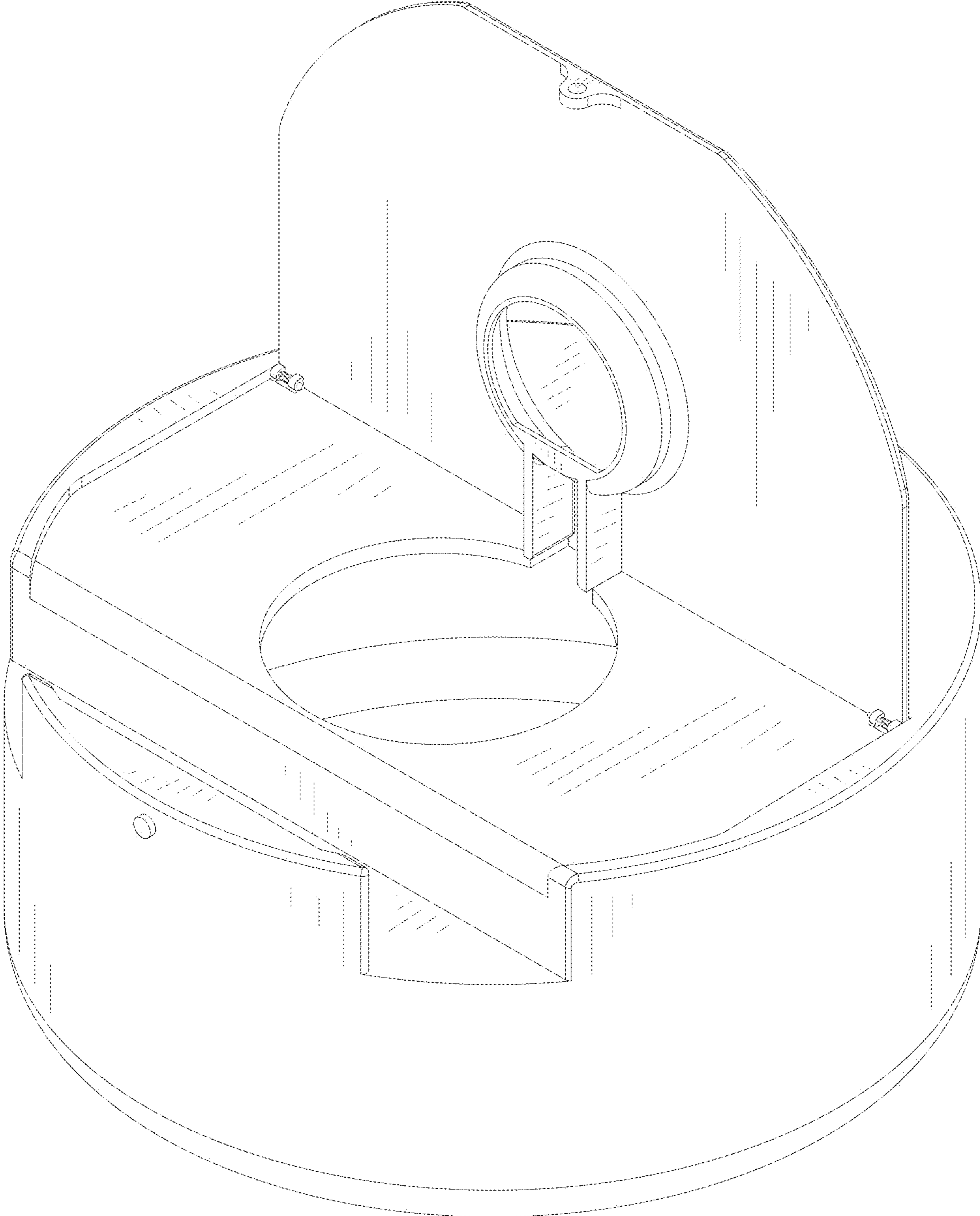


FIG.1

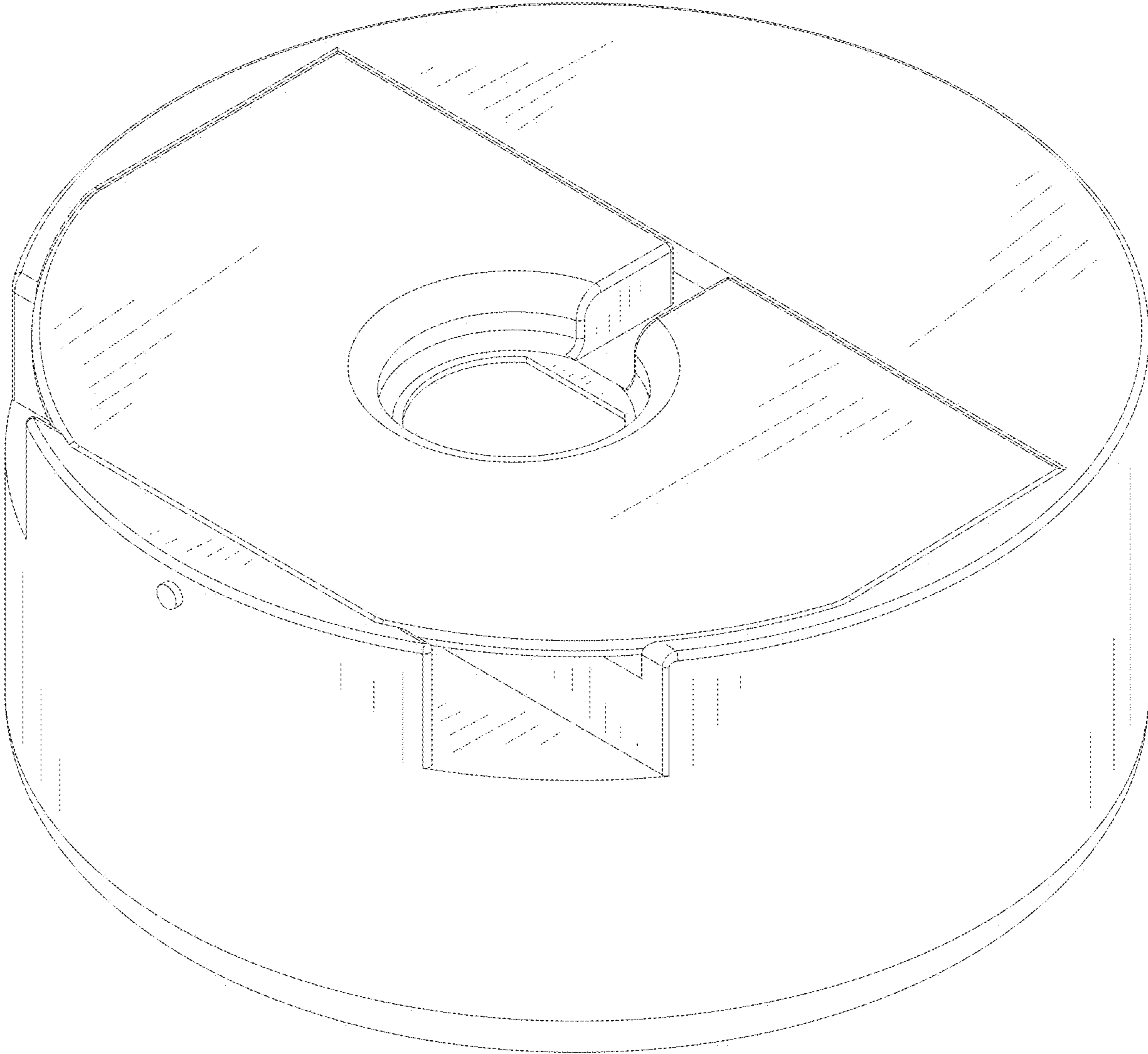


FIG. 2

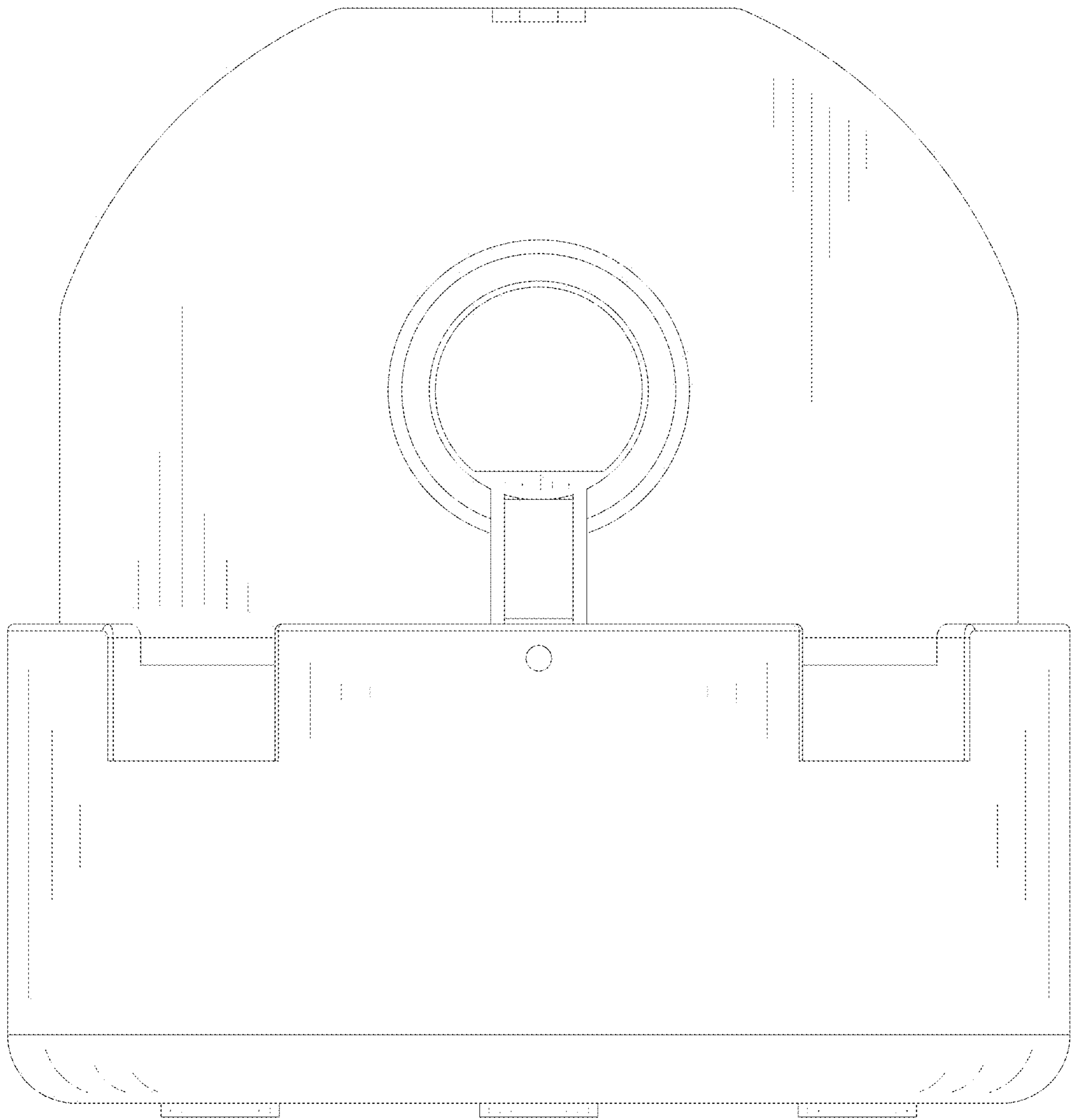


FIG. 3

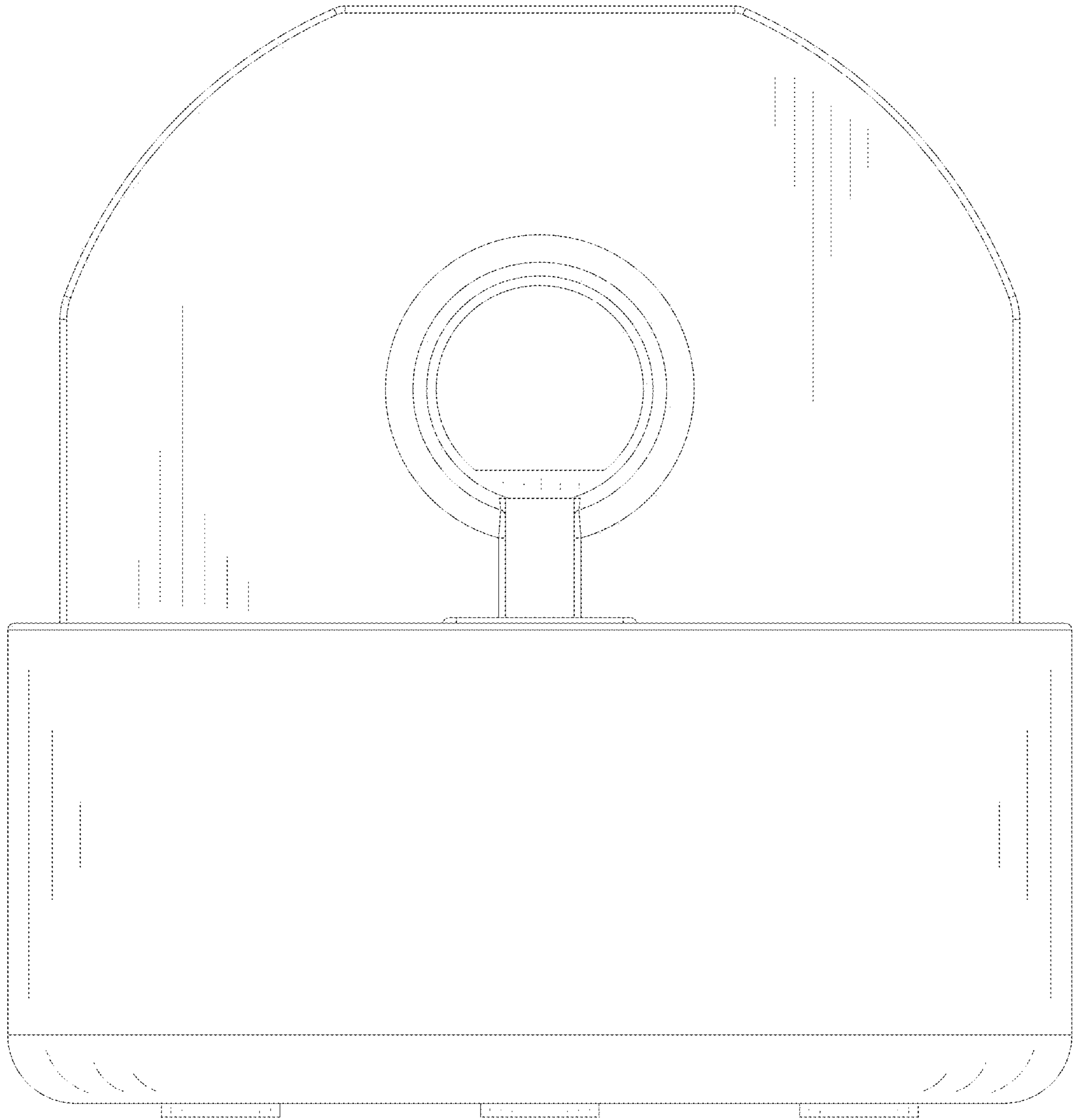


FIG. 4

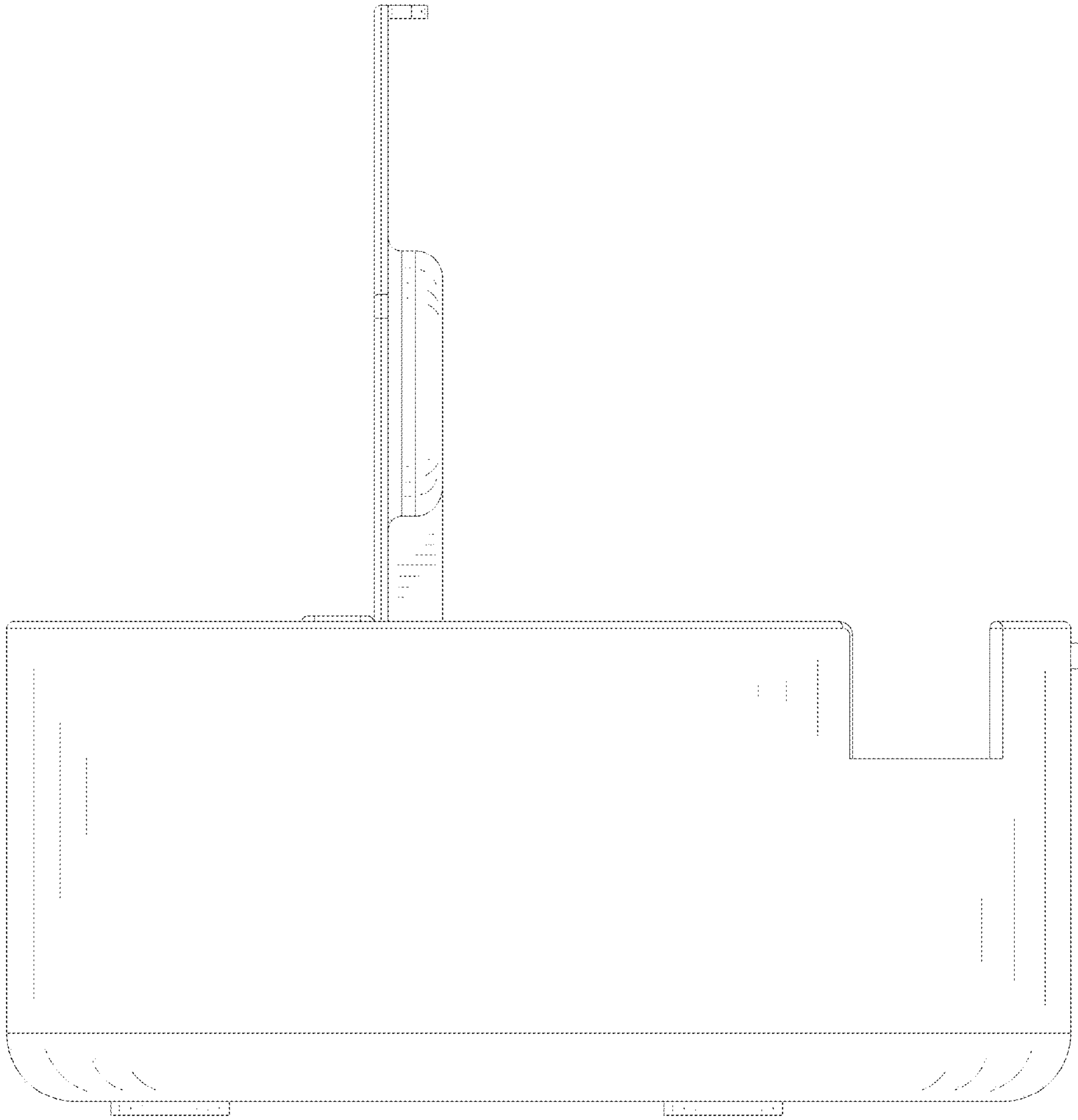


FIG. 5

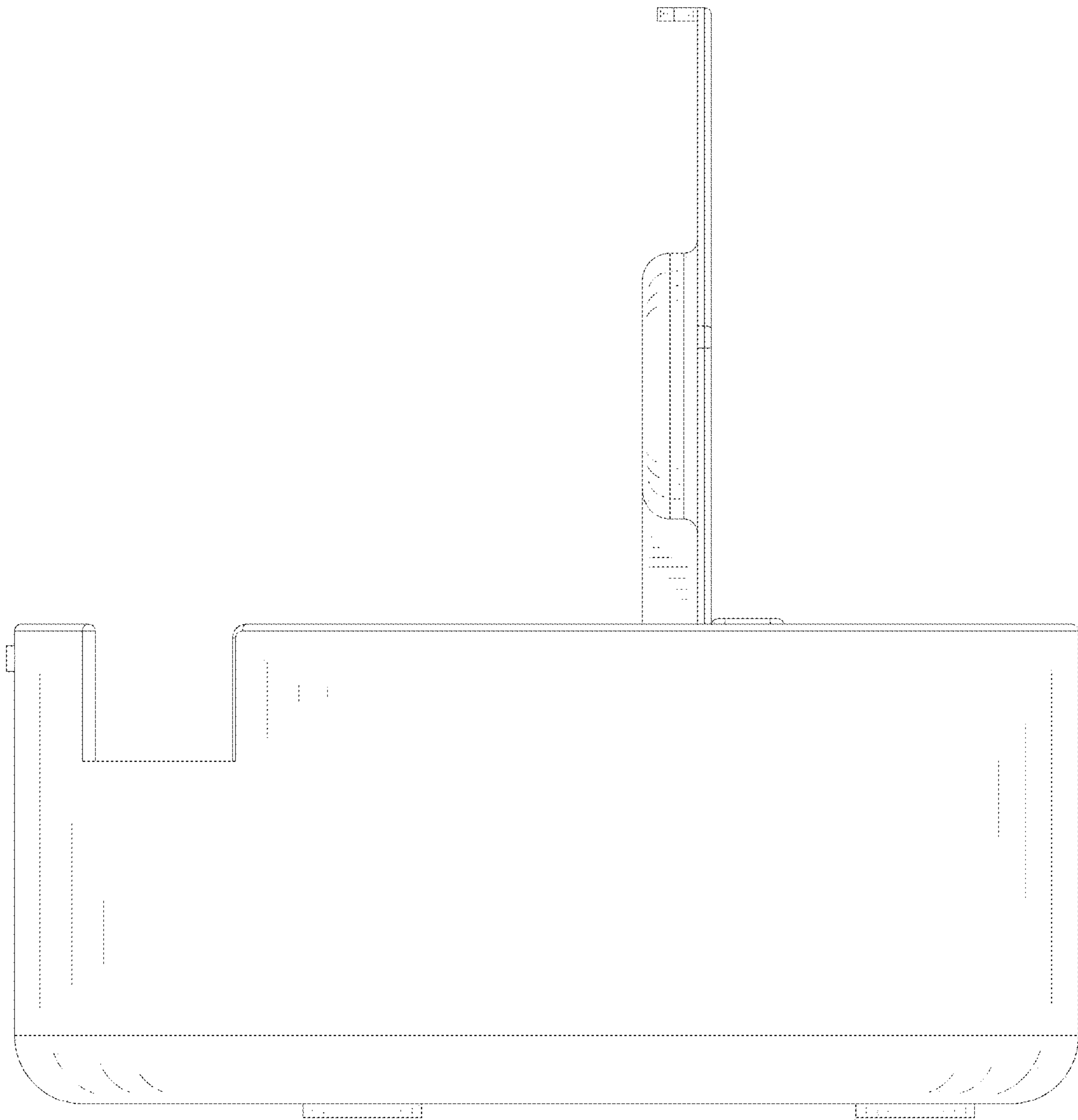


FIG. 6

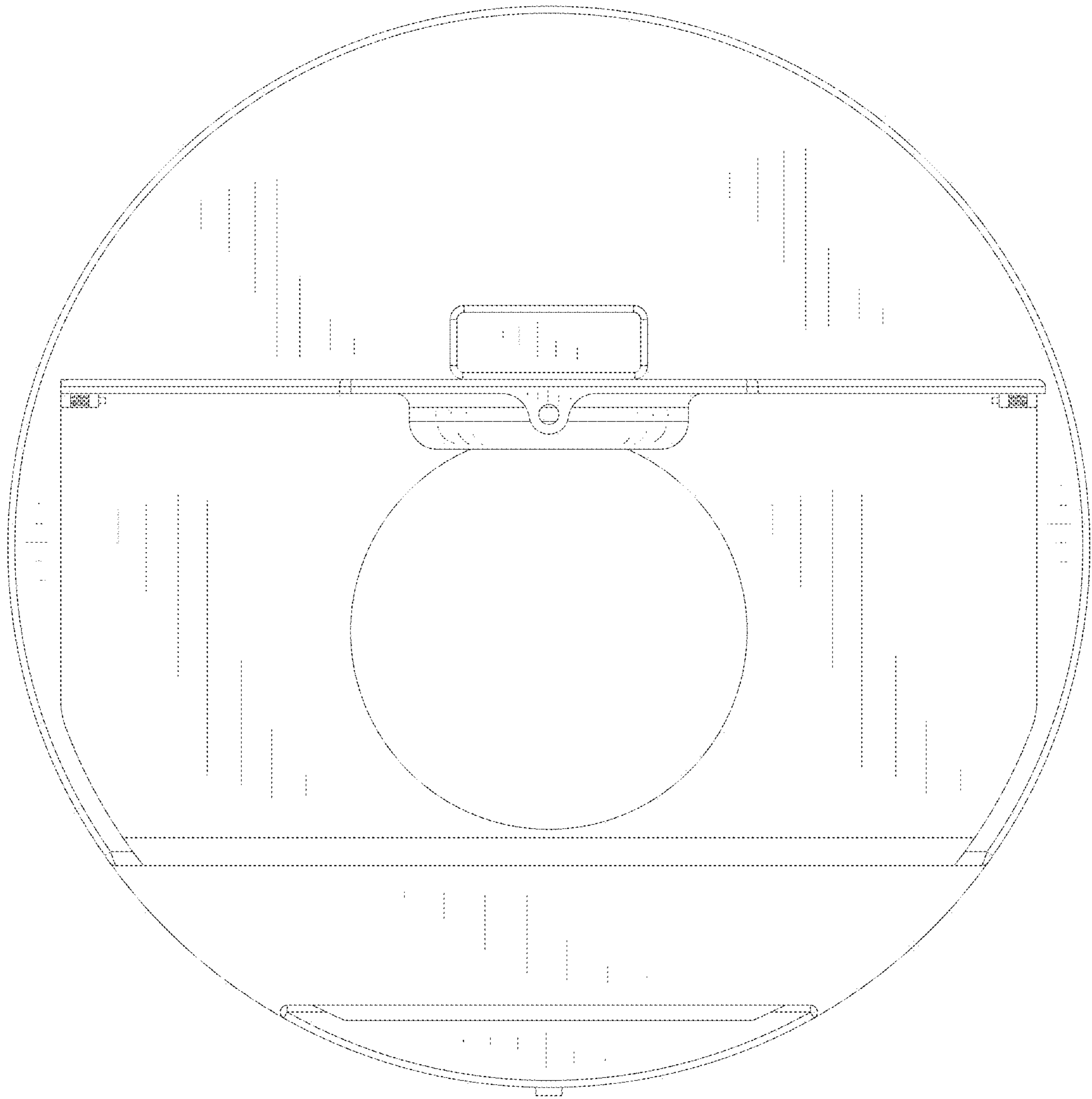


FIG. 7



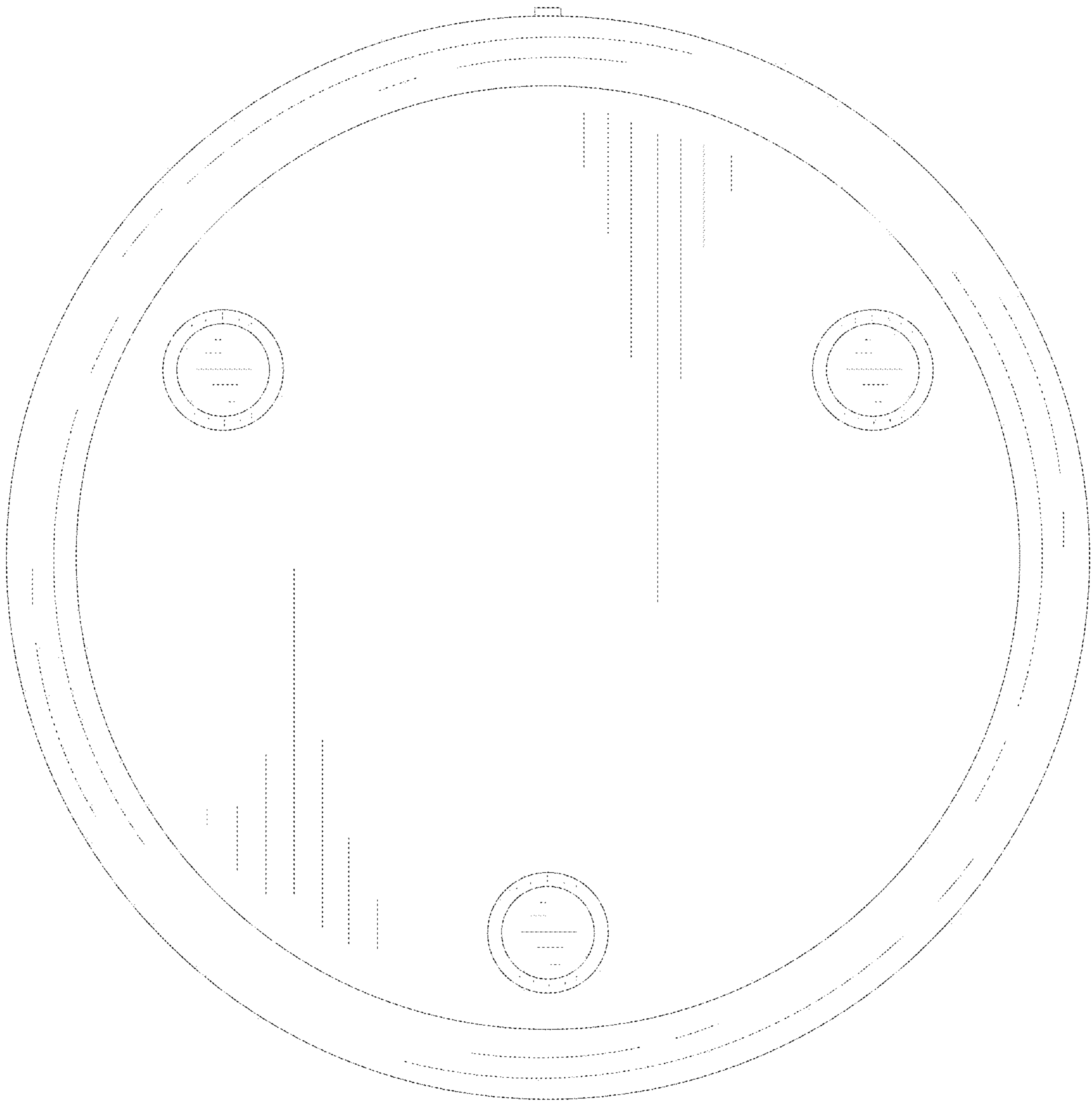


FIG. 8