



US00D918889S

(12) **United States Design Patent**
Huang et al.

(10) **Patent No.:** **US D918,889 S**

(45) **Date of Patent:** **** May 11, 2021**

- (54) **PHONE RING SLIDE HOLDER**
- (71) Applicants: **Bailin Huang**, Shenzhen (CN);
Longhui Wan, Shenzhen (CN)
- (72) Inventors: **Bailin Huang**, Shenzhen (CN);
Longhui Wan, Shenzhen (CN)
- (**) Term: **15 Years**
- (21) Appl. No.: **29/761,719**
- (22) Filed: **Dec. 11, 2020**
- (51) **LOC (13) Cl.** **14-03**
- (52) **U.S. Cl.**
USPC **D14/251**
- (58) **Field of Classification Search**
USPC D14/217, 238.1, 240, 248, 250, 251–253,
D14/439, 440, 447; D13/107–108, 103,
D13/119; D3/201, 218, 247, 269, 273,
D3/301, 303
CPC H04B 1/3888; H04M 1/0283; H04M
1/0202; A45C 1/06; A45C 11/00; A45C
13/02; A45C 2011/002; A45F 2005/026;
A45F 2200/0525; A45F 2200/0516
See application file for complete search history.

- D874,454 S * 2/2020 Lederer D14/253
- D883,268 S * 5/2020 Daniel D14/250
- D887,132 S * 6/2020 Puglisi D3/249
- D902,194 S * 11/2020 Gluck D14/253
- D905,040 S * 12/2020 Altschul H04B 1/3888
D14/251
- D911,923 S * 3/2021 Brennan, Jr. D13/103
- 2013/0146625 A1 * 6/2013 Karle A45F 5/00
224/217
- 2014/0084034 A1 * 3/2014 Wangercyn, Jr. A45C 11/00
224/217
- 2016/0192752 A1 * 7/2016 Lach H04B 1/3888
206/45.2
- 2018/0037016 A1 * 2/2018 Kim B29C 63/02
- 2018/0220782 A1 * 8/2018 Mody A45F 5/00
- 2018/0302114 A1 * 10/2018 Nielsen A45F 5/10
- 2019/0208046 A1 * 7/2019 Gluck F16M 11/2021

* cited by examiner

Primary Examiner — Mojtaba Tehrani

(74) *Attorney, Agent, or Firm* — Justin Lampel

(57) **CLAIM**

The ornamental design for a phone ring slide holder, as shown and described.

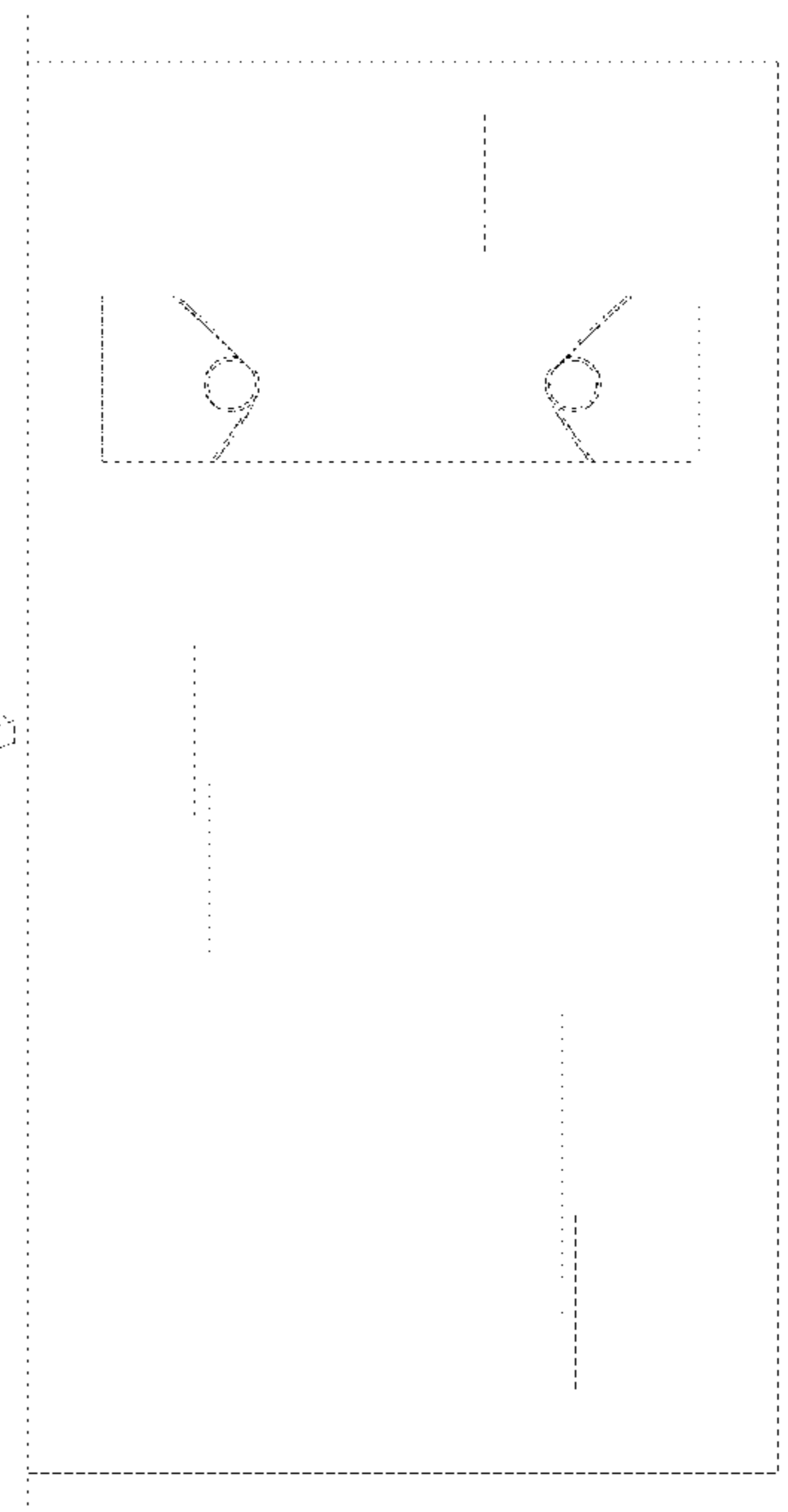
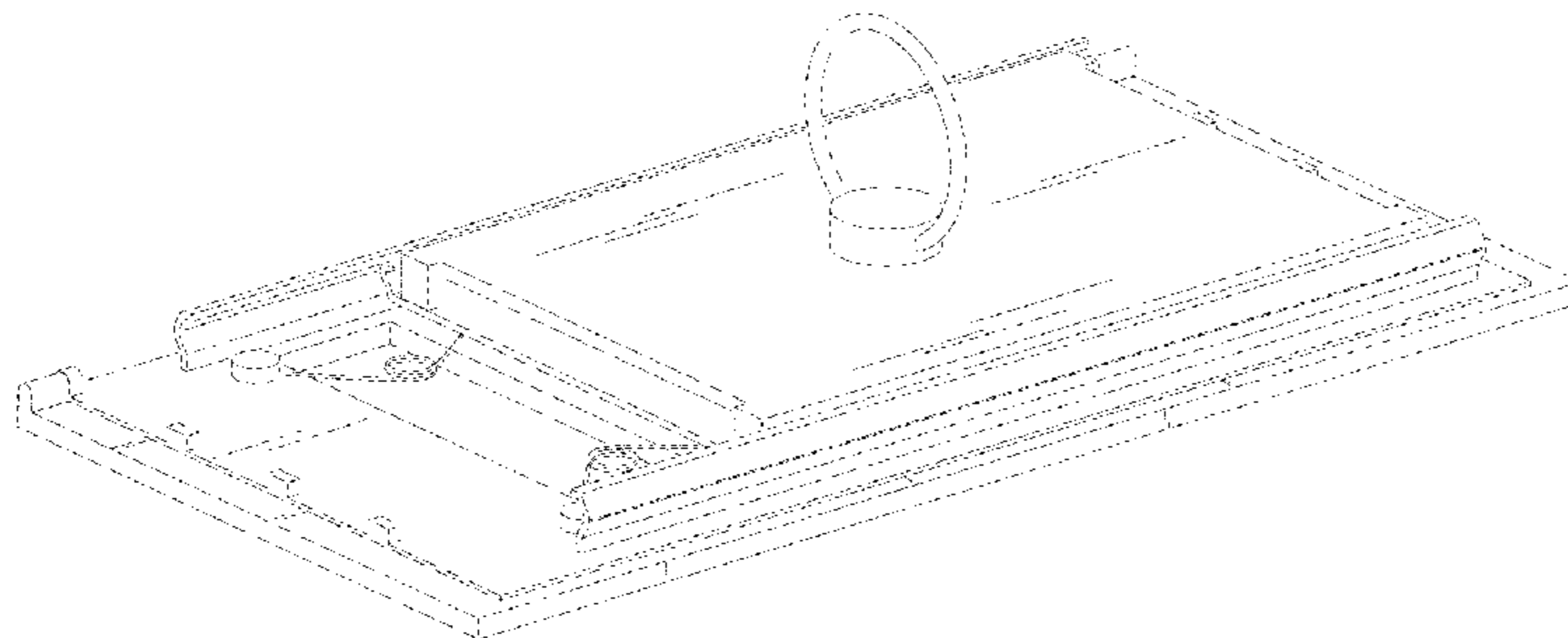
DESCRIPTION

FIG. 1 is a perspective view of a phone ring slide holder showing the claimed design;
 FIG. 2 is a top plan view thereof;
 FIG. 3 is a rear elevational view thereof;
 FIG. 4 is a bottom plan view thereof;
 FIG. 5 is a right side view thereof;
 FIG. 6 is a front elevational view thereof; and,
 FIG. 7 is a left side view thereof.
 The broken lines illustrate portions of the phone ring slide holder that form no part of the claimed design.

1 Claim, 7 Drawing Sheets

(56) **References Cited**
 U.S. PATENT DOCUMENTS

- D450,294 S * 11/2001 Arbisi D13/103
- D456,001 S * 4/2002 Arbisi D13/103
- D765,662 S * 9/2016 Kang D14/439
- D815,086 S * 4/2018 Jeon D14/251
- 10,274,814 B2 * 4/2019 Jeon F16M 11/041
- D858,507 S * 9/2019 Jang D14/251
- D863,281 S * 10/2019 Liu D14/250
- D866,546 S * 11/2019 Stillwell D14/253



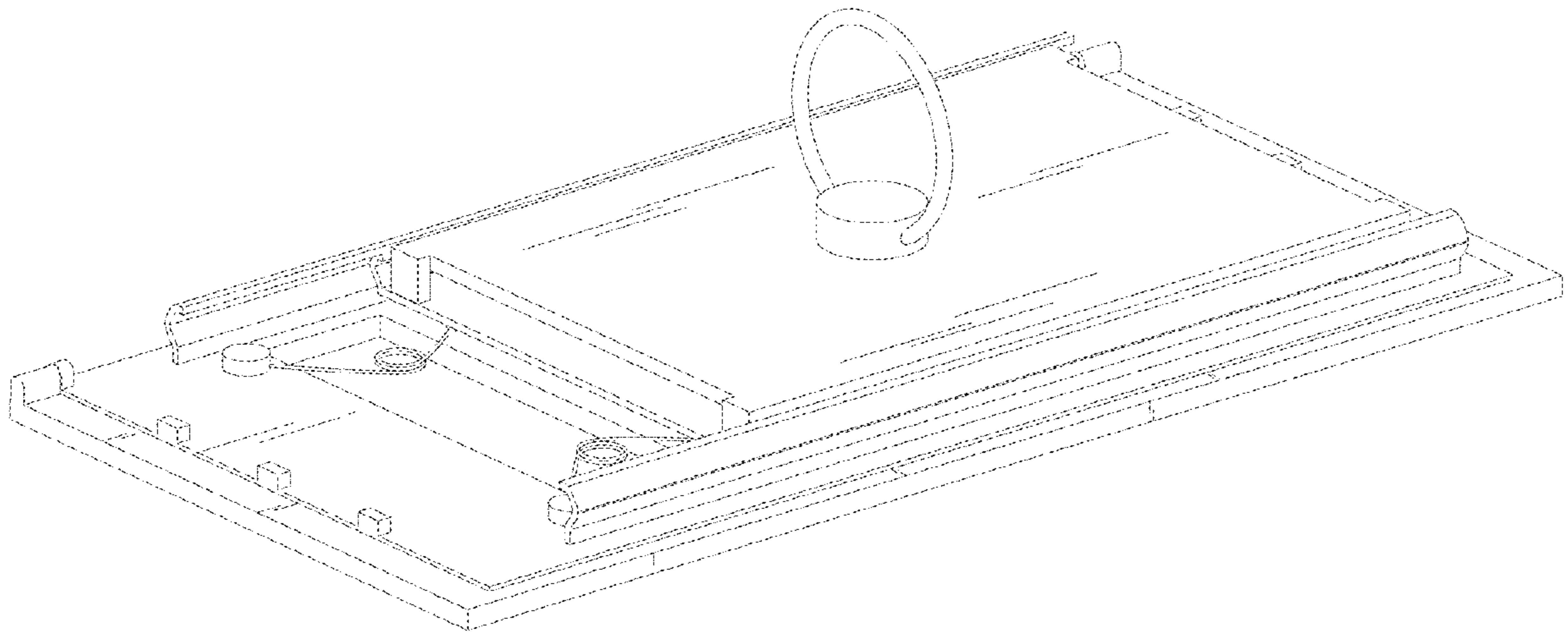


FIG.1

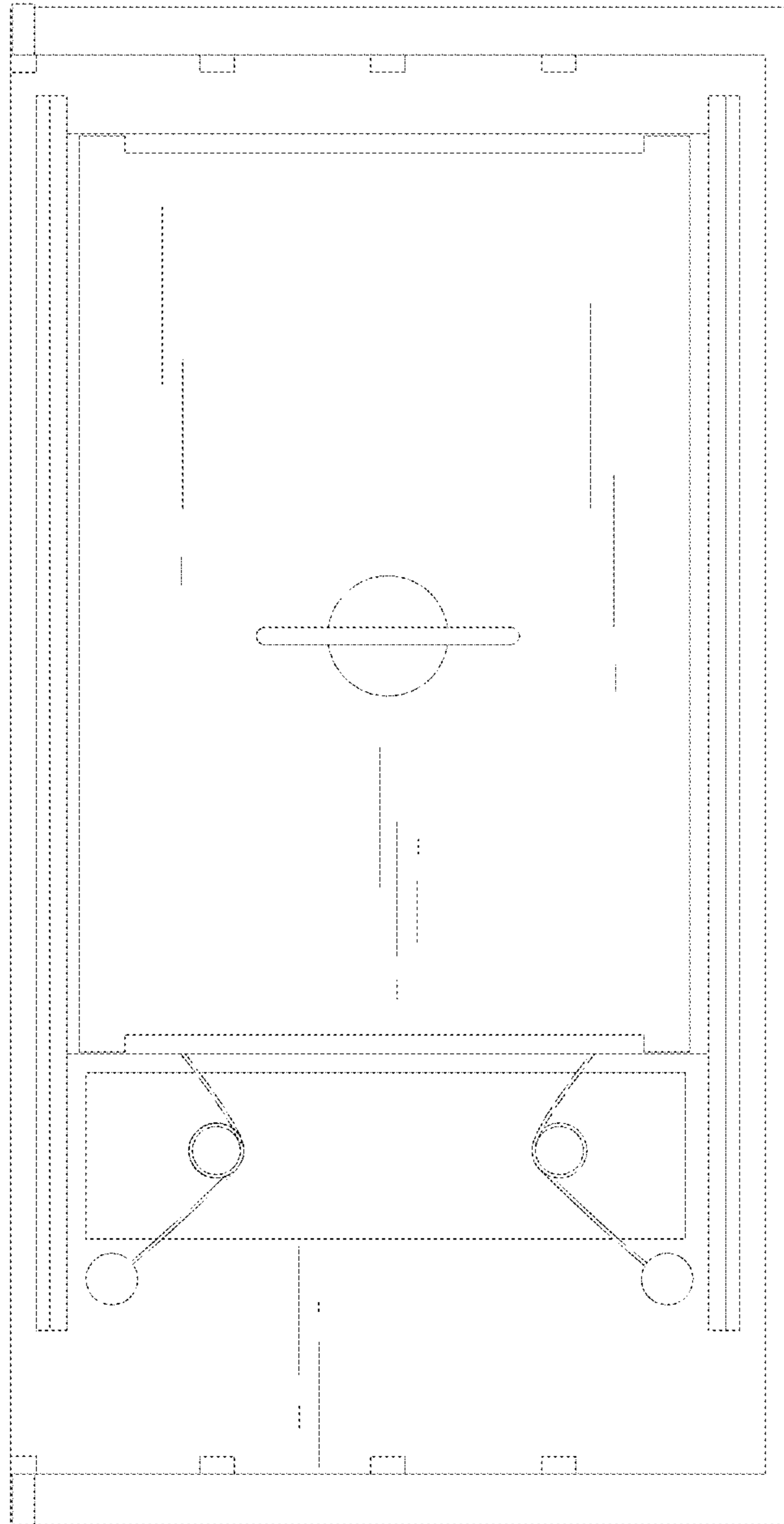


FIG.2

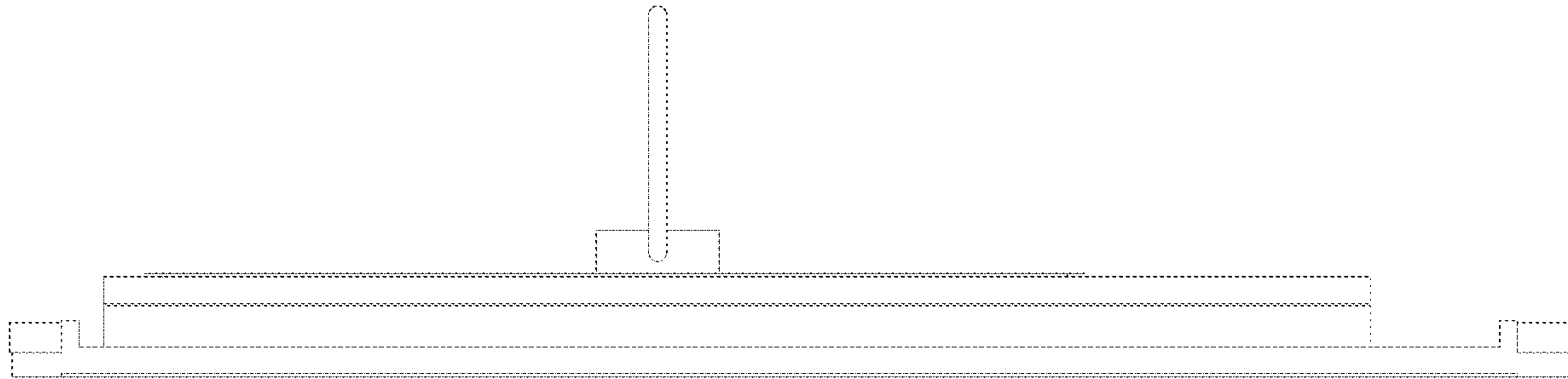


FIG. 3

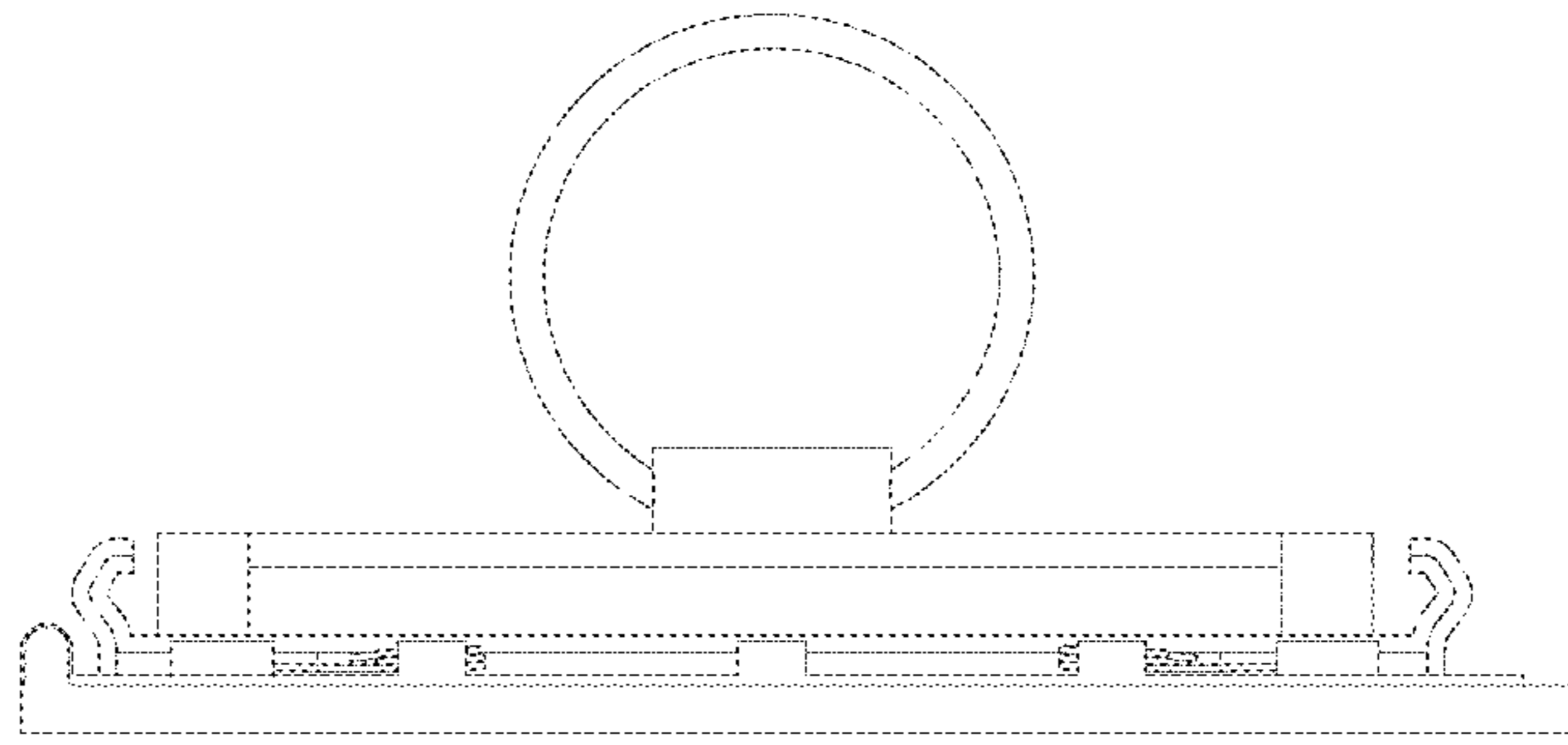


FIG.4

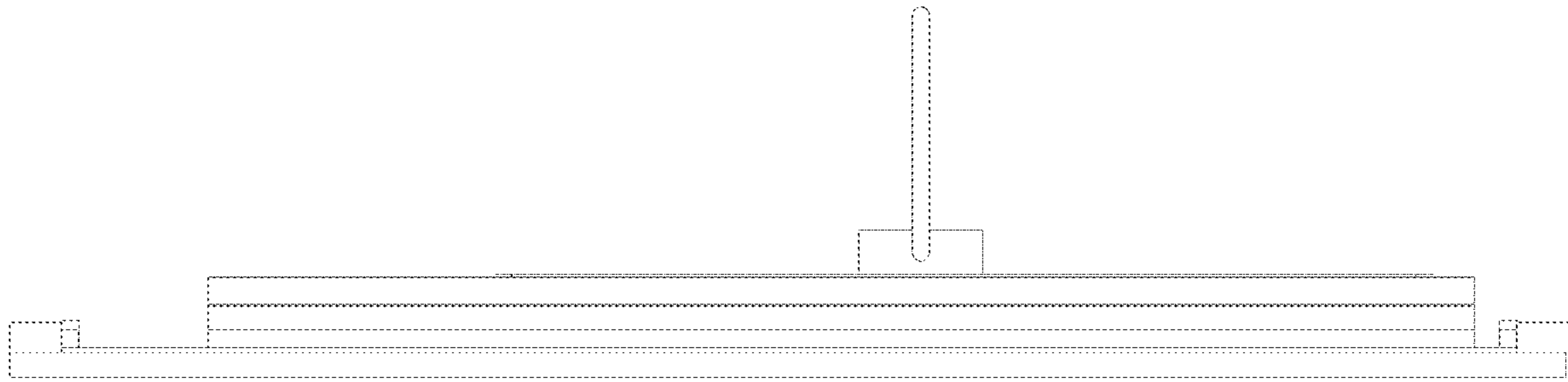


FIG.5

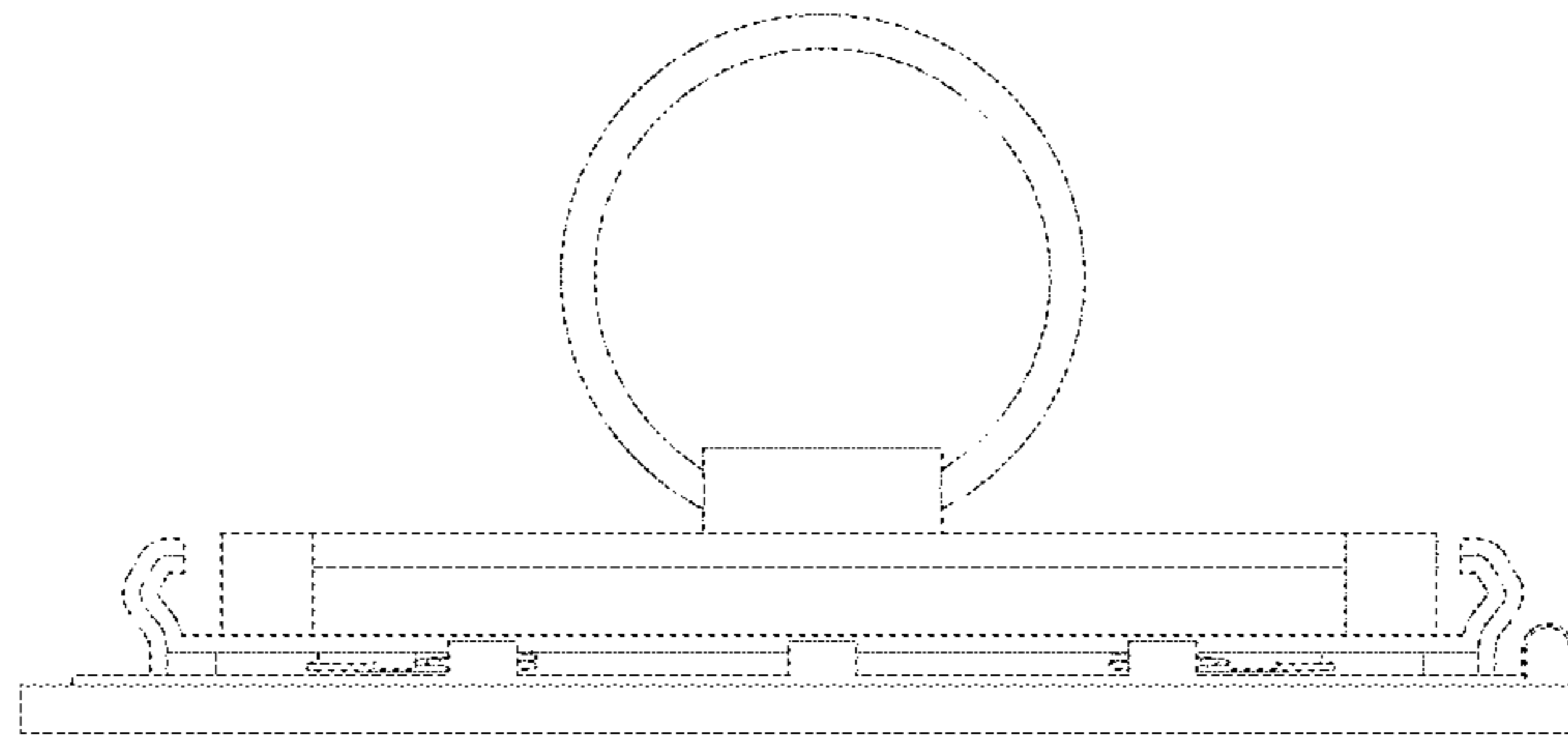


FIG. 6

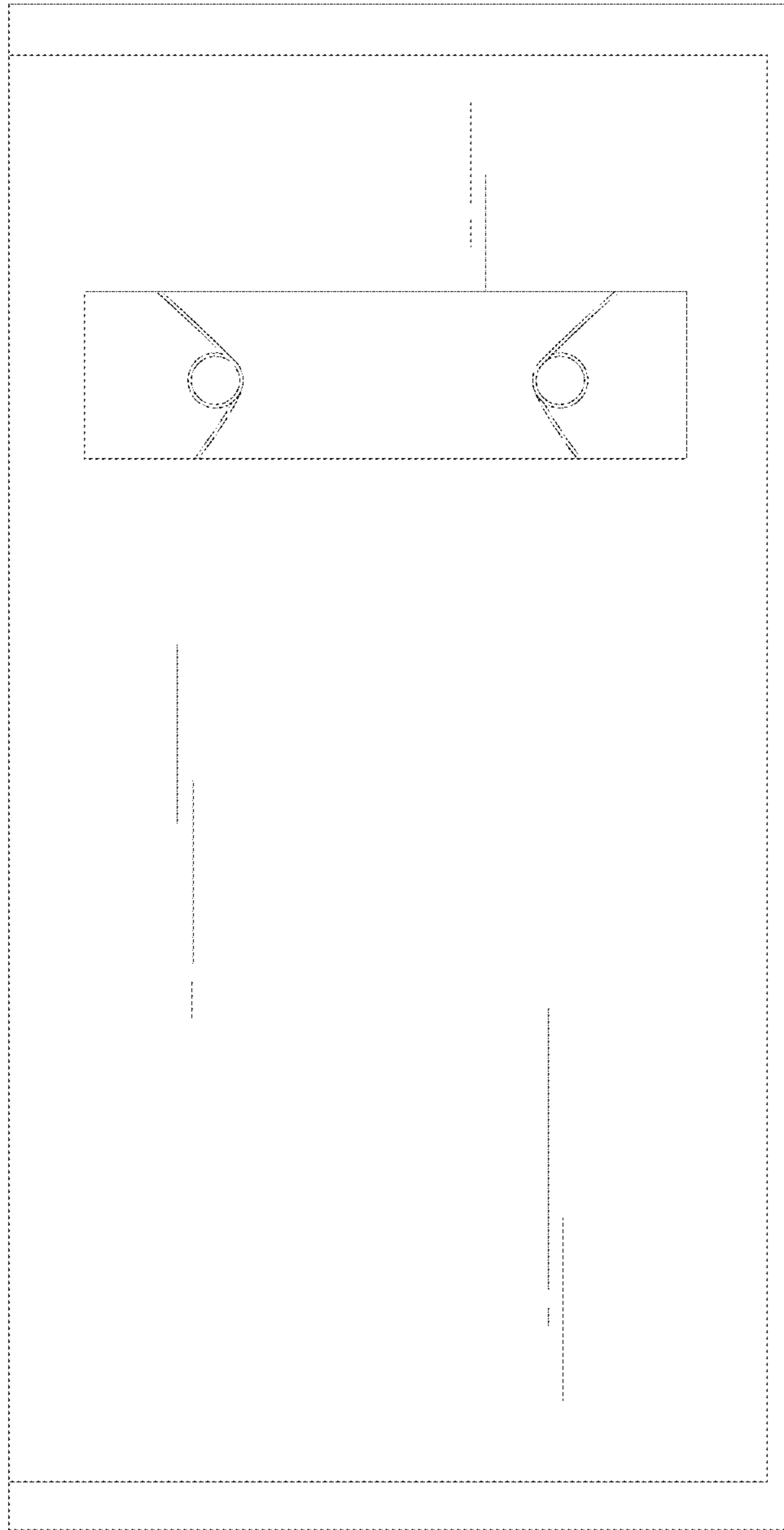


FIG. 7