



US00D918887S

(12) **United States Design Patent** (10) **Patent No.:** **US D918,887 S**
Feng (45) **Date of Patent:** **** May 11, 2021**

(54) **PHONE CASE**

(71) Applicant: **GUANGZHOU WENYI COMMUNICATION EQUIPMENT CO., LTD**, Guangzhou (CN)

(72) Inventor: **YouRu Feng**, Guangzhou (CN)

(73) Assignee: **GUANGZHOU WENYI COMMUNICATION EQUIPMENT CO., LTD**, Guangzhou (CN)

(**) Term: **15 Years**

(21) Appl. No.: **29/753,569**

(22) Filed: **Sep. 30, 2020**

Related U.S. Application Data

(63) Continuation-in-part of application No. 29/704,118, filed on Sep. 2, 2019, now abandoned.

(51) **LOC (13) Cl.** **14-03**

(52) **U.S. Cl.**
USPC **D14/250**; D3/249

(58) **Field of Classification Search**
USPC D14/217, 238.1, 240, 248, 250, 251–253, D14/439, 440, 447; D13/107–108, 103, D13/119; D3/201, 218, 247, 269, 273, D3/301, 303, 249
CPC H04B 1/3888; H04M 1/0283; H04M 1/0202; A45C 1/06; A45C 11/00; A45C 13/02; A45C 2011/002; A45F 2005/026; A45F 2200/0525; A45F 2200/0516
See application file for complete search history.

(56) **References Cited**

U.S. PATENT DOCUMENTS

D598,909 S * 8/2009 Seo D14/248
D633,486 S * 3/2011 Fahrendorff D14/250

(Continued)

OTHER PUBLICATIONS

“UrSpeedtekLive iPhone 7/iPhone 8/iPhone SE 2020 Wallet Case [. . .]” [online], UrSpeedtekLive. [Date first available on Aug. 16, 2017], Retrieved from the Internet: <https://www.amazon.com/dp/B074V5Z7T9>.*

(Continued)

Primary Examiner — Mojtaba Tehrani

(74) *Attorney, Agent, or Firm* — Zhihua Han; WEN IP LLC

(57) **CLAIM**

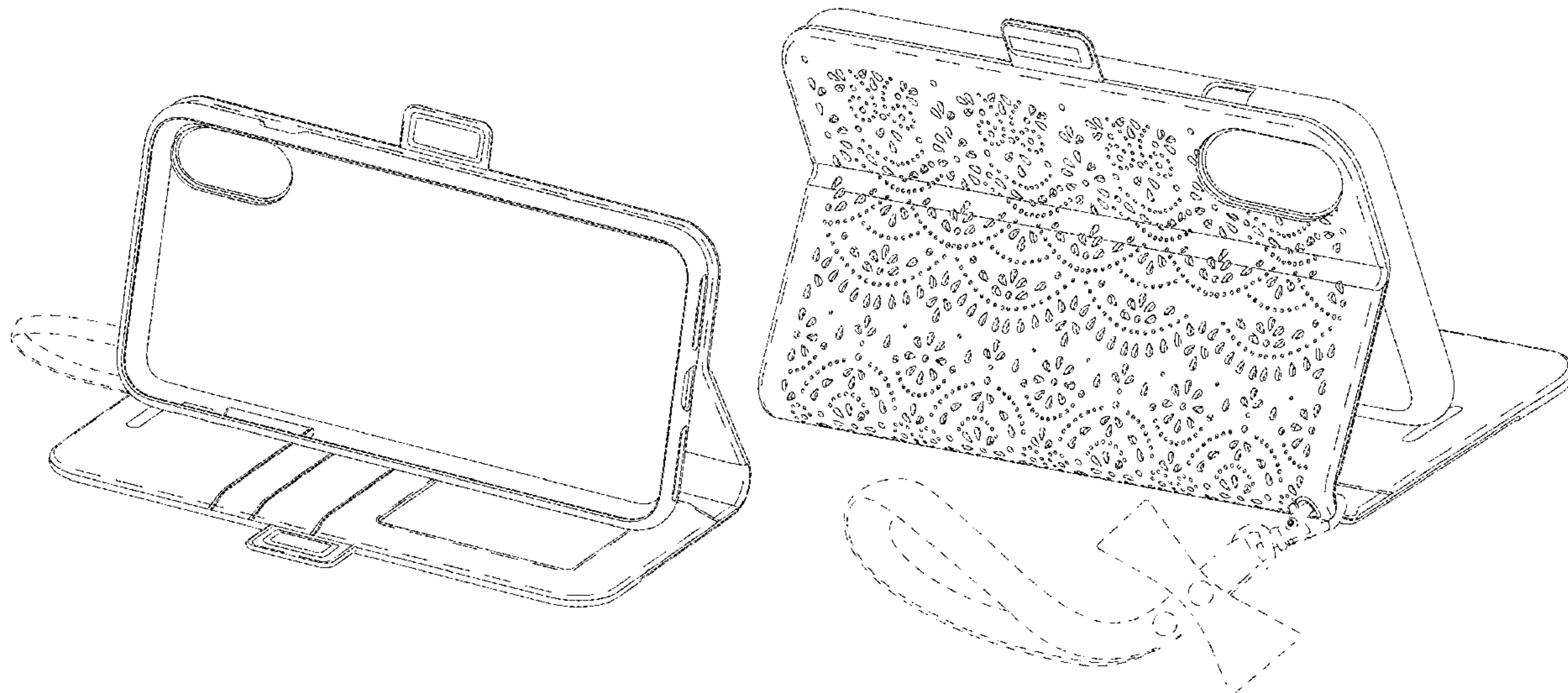
The ornamental design for a phone case, as shown and described.

DESCRIPTION

FIG. 1 is a prospective view of a phone case, at an open position, showing my new design;
FIG. 2 is another prospective view thereof, at the open position;
FIG. 3 is a front elevation view thereof, at a closed position;
FIG. 4 is rear elevation view thereof, at the closed position;
FIG. 5 is a left side elevation view thereof, at the closed position;
FIG. 6 is a right side elevation view thereof, at the closed position;
FIG. 7 is a top plan view thereof, at the closed position;
FIG. 8 is a bottom plan view thereof, at the closed position;
FIG. 9 is a front elevation view thereof, at a fully extended position; and,
FIG. 10 is a rear elevation view thereof, at the fully extended position.

The short dashed broken lines in the drawings depict unclaimed portion of the phone case only and form no part of the claimed design. The long dashed broken lines disclose stitching which forms part of the claimed design.

1 Claim, 10 Drawing Sheets



(56)

References Cited

U.S. PATENT DOCUMENTS

D729,522 S * 5/2015 Kim D3/303
D762,615 S * 8/2016 Kim D14/203.4
D767,888 S * 10/2016 Kim D3/249
D793,082 S * 8/2017 Zhang D3/249
D794,952 S * 8/2017 Feng D3/247
D806,378 S * 1/2018 Lerenthal D3/201
D817,962 S * 5/2018 Shao D14/440
D822,014 S * 7/2018 Han D14/250
D822,989 S * 7/2018 Persson D3/249
D842,289 S * 3/2019 Feng D14/250
D843,992 S * 3/2019 Lu D14/250
D844,596 S * 4/2019 Liu D14/250
D848,409 S * 5/2019 Feng D14/250
D856,671 S * 8/2019 Li D3/249
D866,179 S * 11/2019 Zhao D3/249
D871,066 S * 12/2019 Feng D3/249
D872,071 S * 1/2020 Han D14/250
D872,722 S * 1/2020 Zhou D14/250
D874,137 S * 2/2020 Feng D3/249
D891,416 S * 7/2020 Yu D14/250
D892,107 S * 8/2020 Zhao D14/250
D895,599 S * 9/2020 Zhao D14/250
D900,800 S * 11/2020 Sirju D14/250
D900,801 S * 11/2020 Zhang D14/250

OTHER PUBLICATIONS

“BEMAL for iPhone 12 Wallet Case with Screen Protector,iPhone 12 Pro Flip Case [. . .]” [online], BEMAL. [Date first available on Nov. 3, 2020], Retrieved from the Internet: <<https://www.amazon.com/dp/B08MHYNCQV>>.*

* cited by examiner

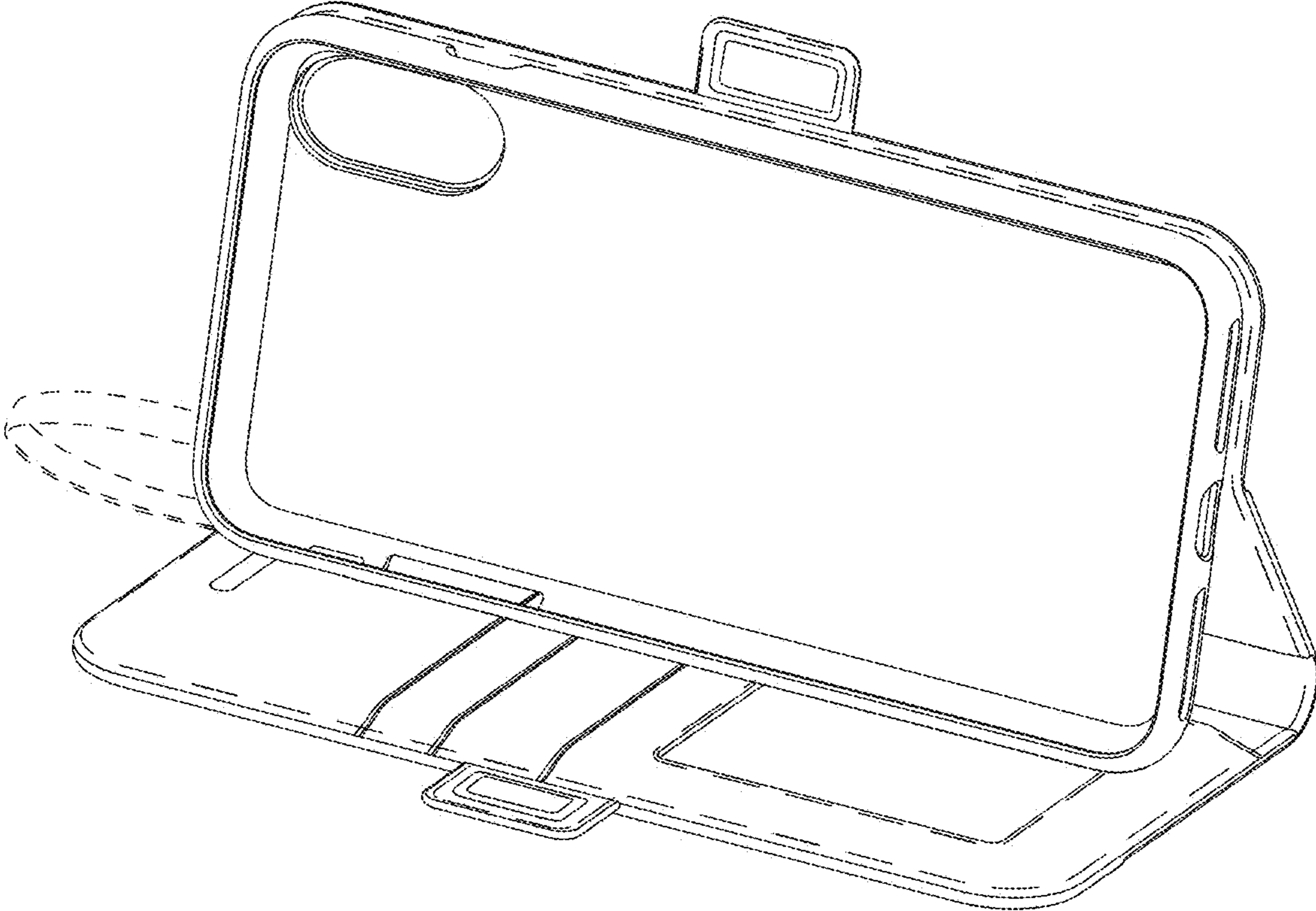


FIG. 1

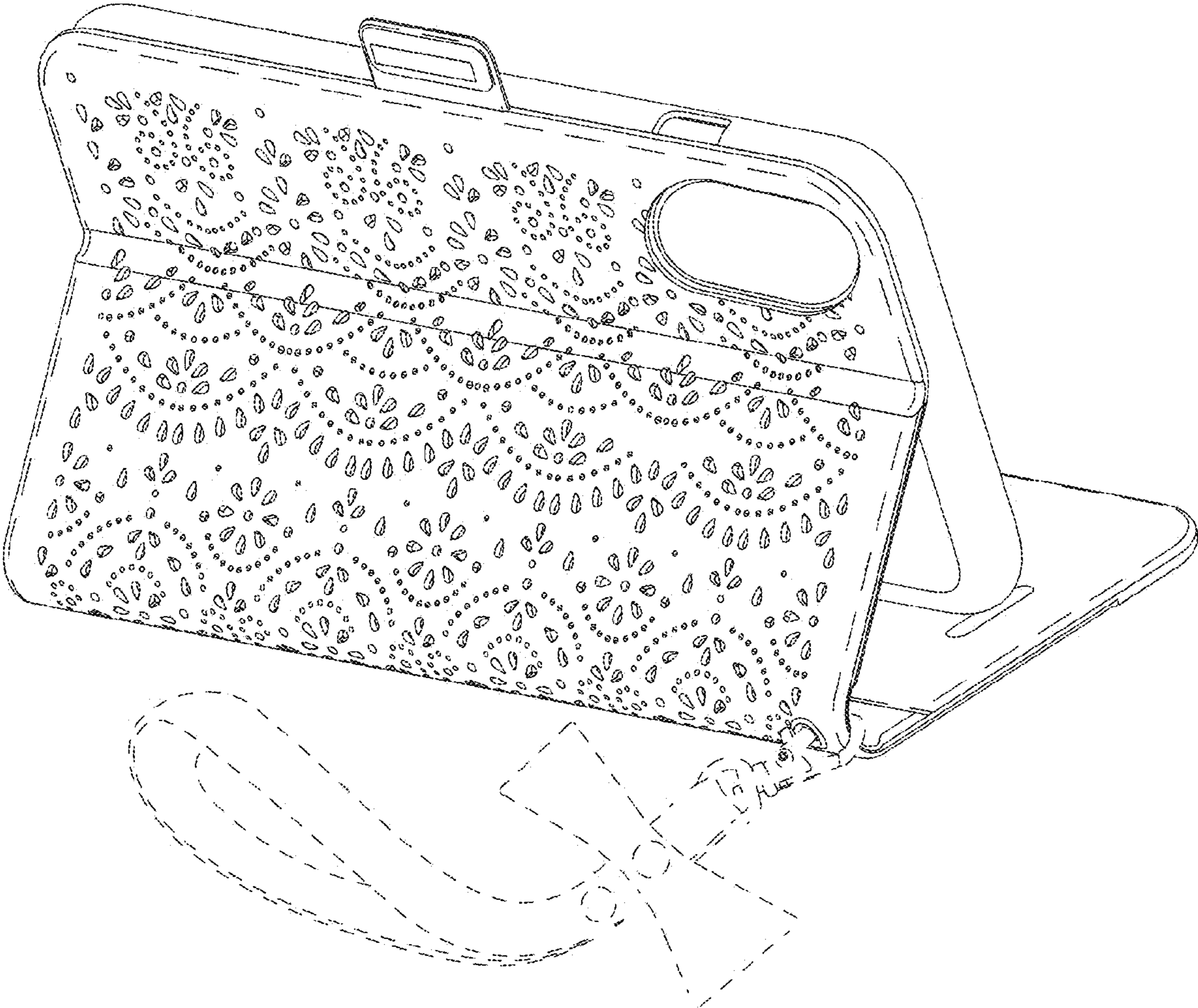


FIG. 2

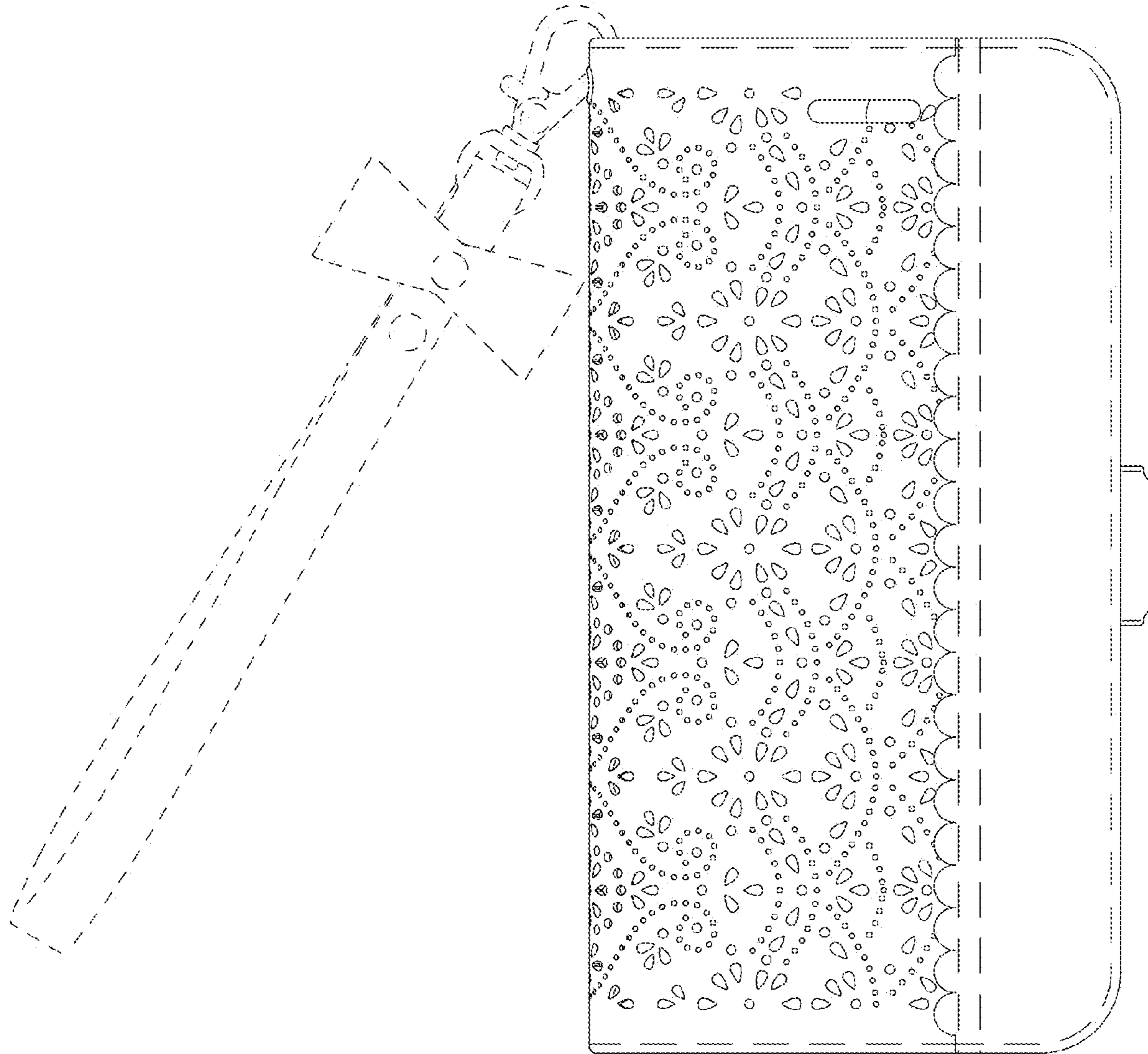


FIG. 3

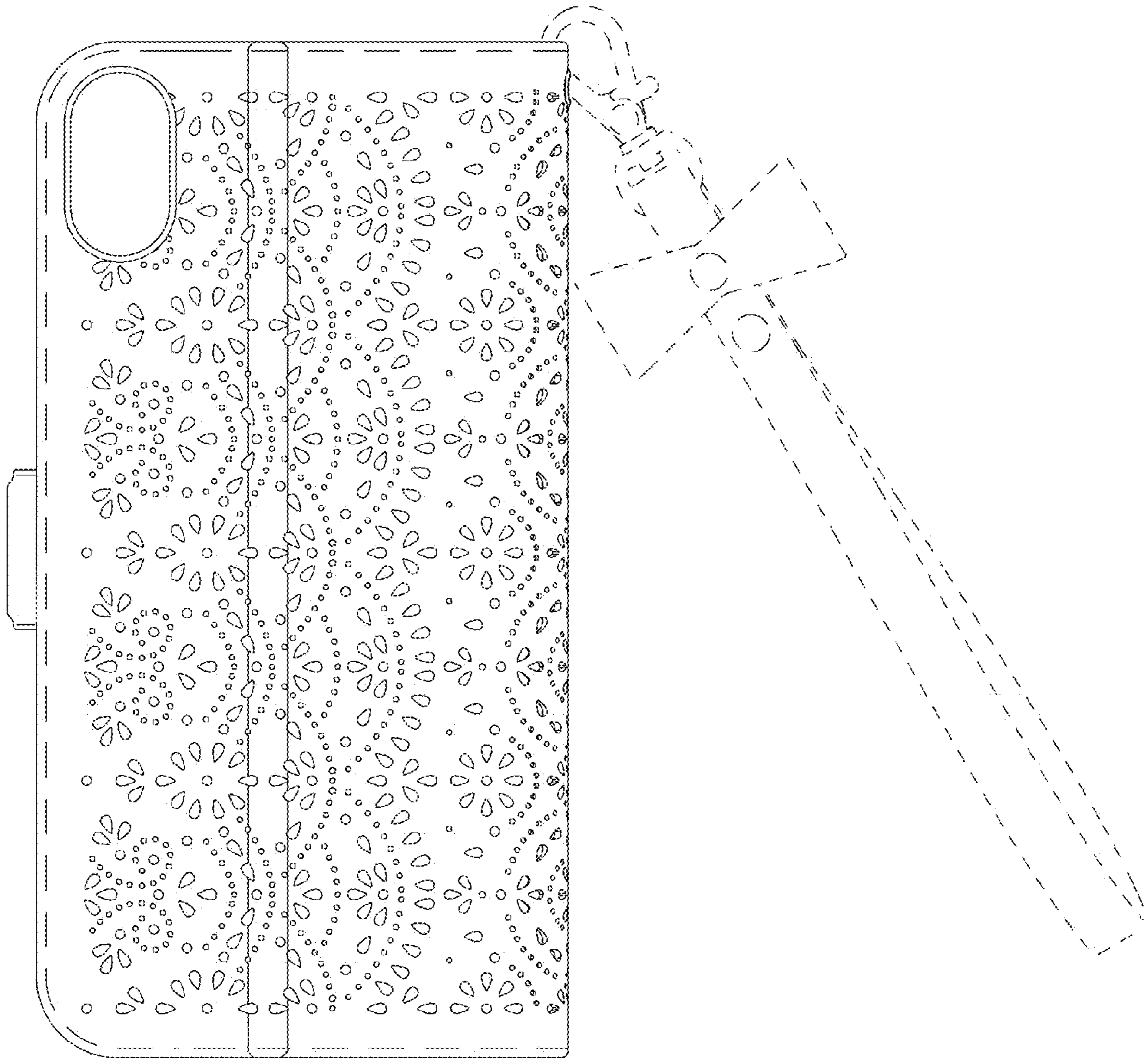


FIG. 4

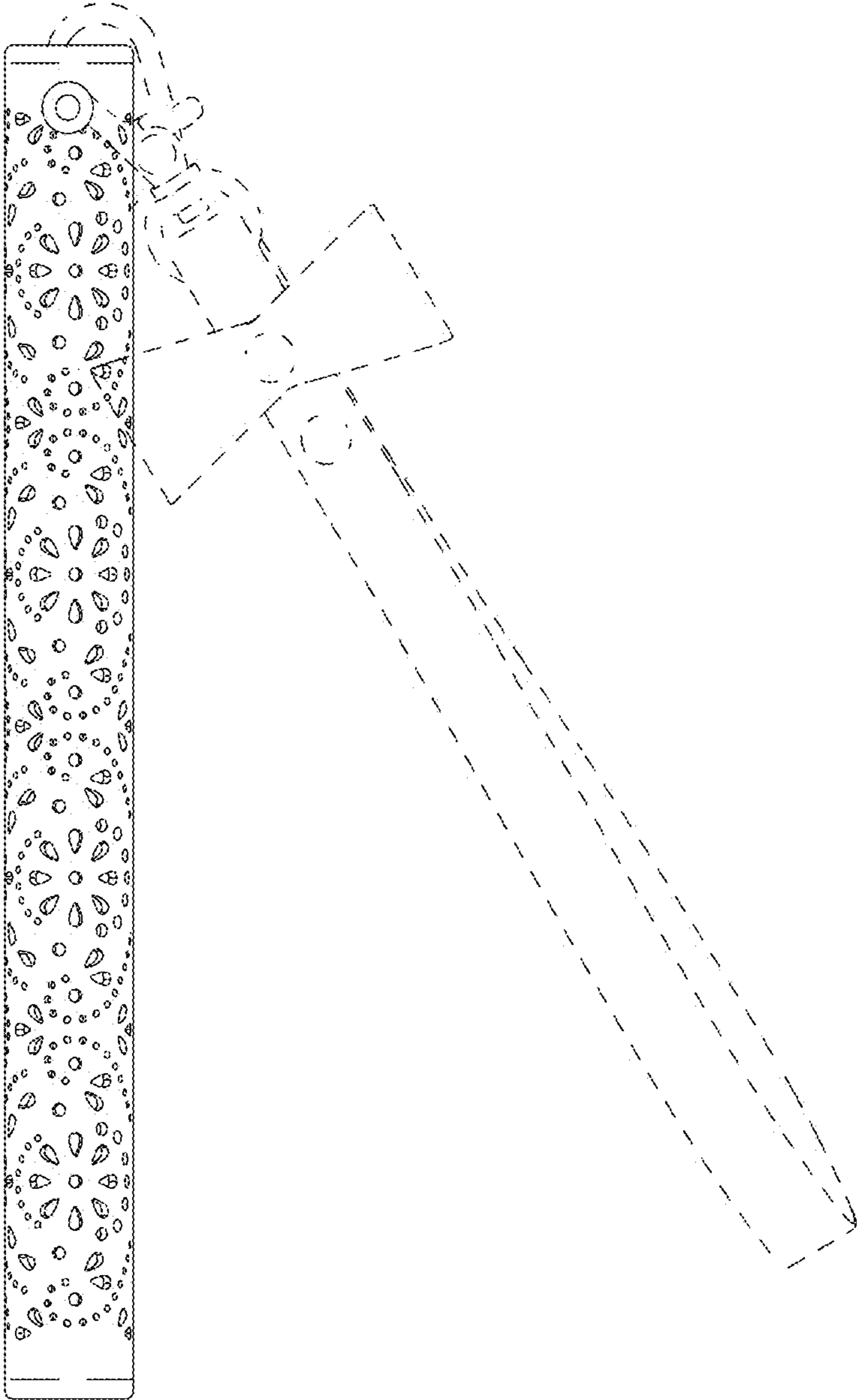


FIG. 5

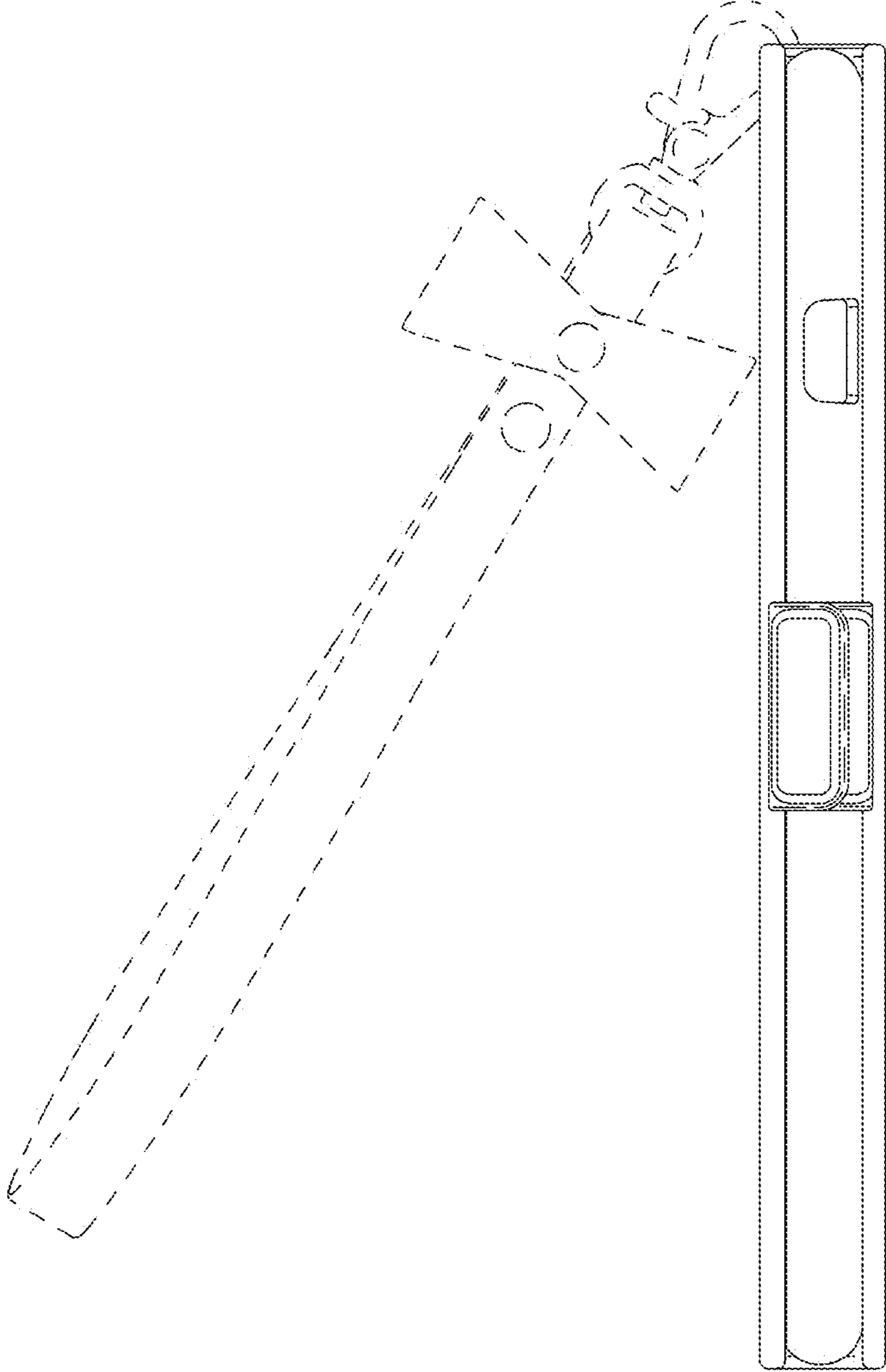


FIG. 6

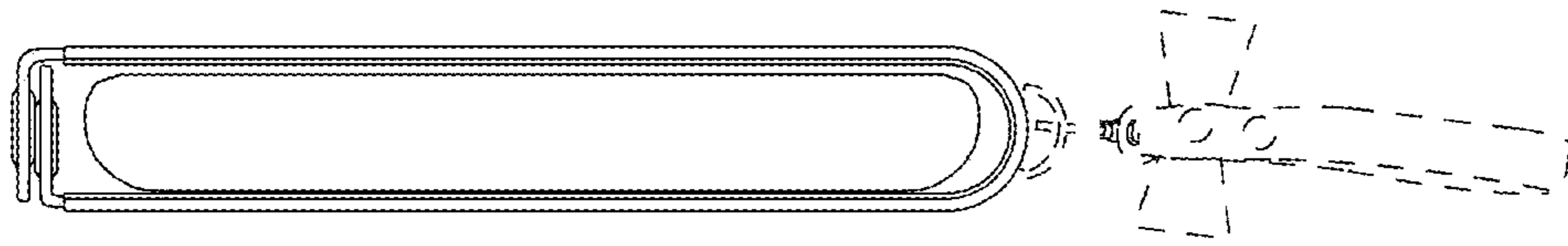


FIG. 7

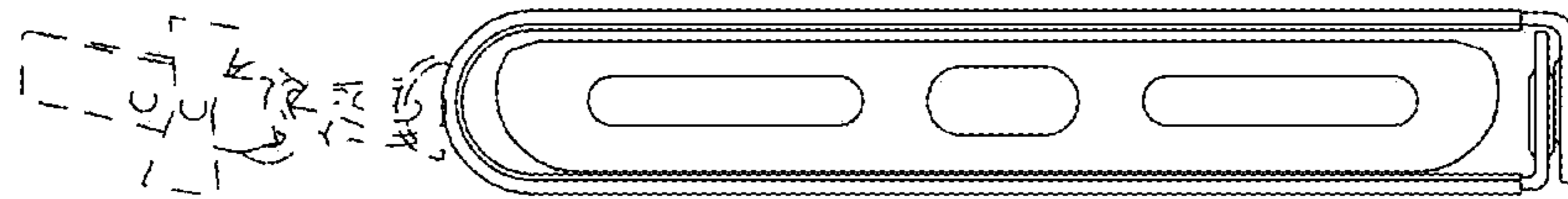


FIG. 8

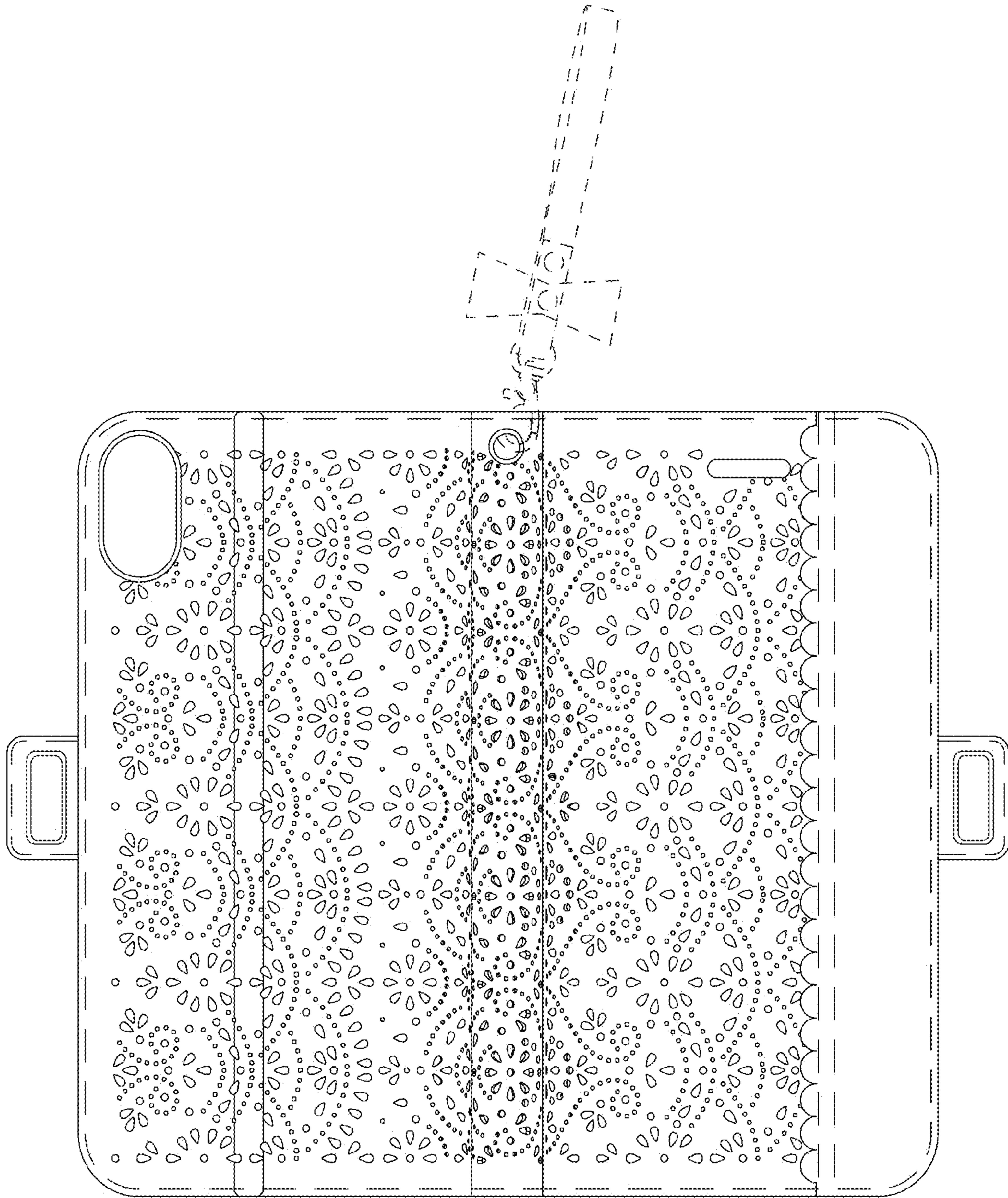


FIG. 9

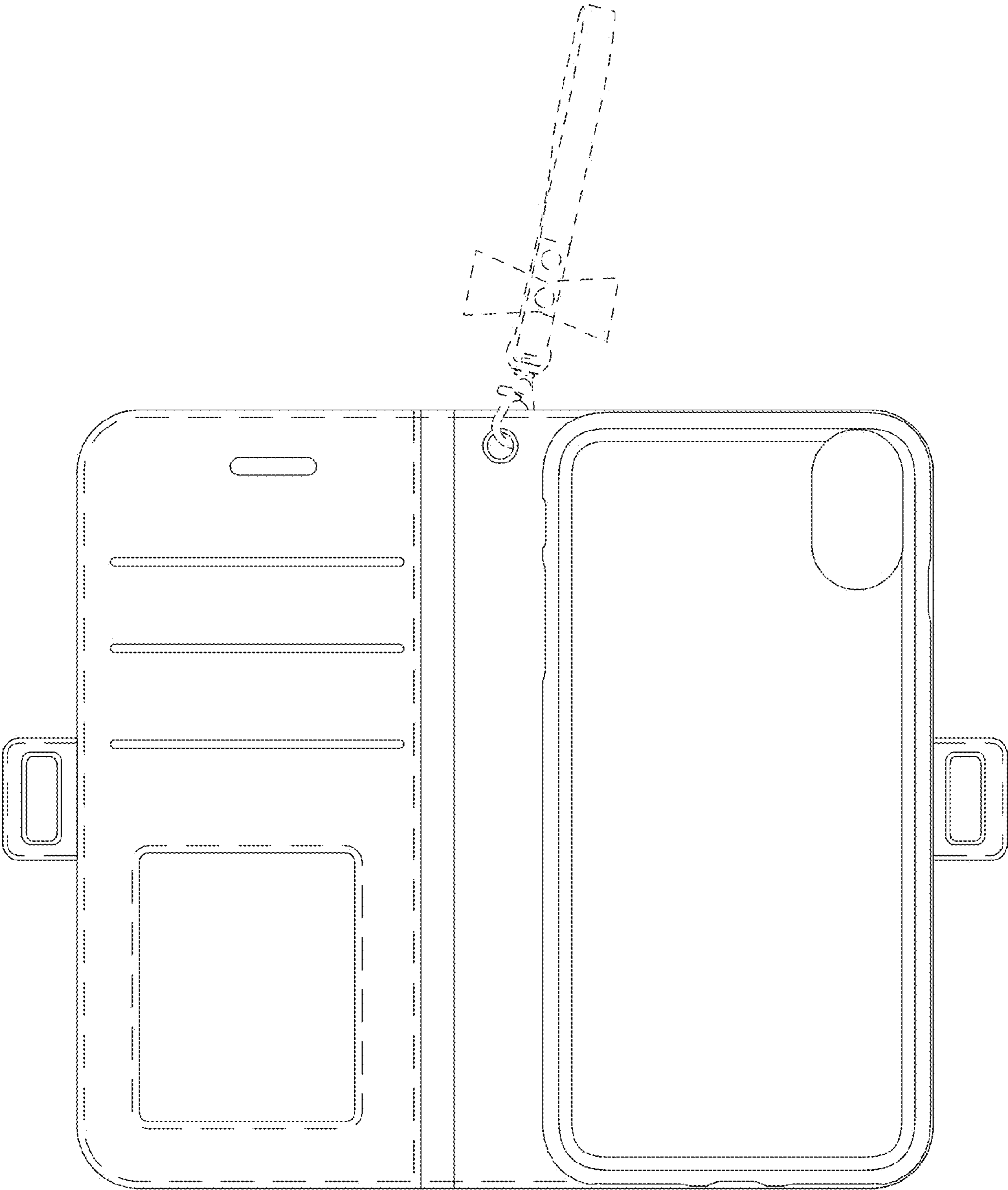


FIG. 10