



US00D918884S

(12) **United States Design Patent** (10) **Patent No.:** **US D918,884 S**
Lin et al. (45) **Date of Patent:** **** May 11, 2021**

(54) **MOBILE DEVICE**

(71) Applicant: **ASUSTeK COMPUTER INC.**, Taipei (TW)

(72) Inventors: **Po-Han Lin**, Taipei (TW); **Sih-Ci Li**, Taipei (TW); **Cheng-Hsuan Chen**, Taipei (TW)

(73) Assignee: **ASUSTeK COMPUTER INC.**, Taipei (TW)

(**) Term: **15 Years**

(21) Appl. No.: **29/651,446**

(22) Filed: **Aug. 15, 2018**

(51) **LOC (13) Cl.** **14-03**

(52) **U.S. Cl.**
USPC **D14/248**

(58) **Field of Classification Search**
USPC D14/138 G, 138 AD, 341, 138 R, 496, D14/203.1, 203.3, 203.5, 203.7, 248, 371, D14/374, 218, 250, 441; 455/575.1, 455/556.2; D21/517; 361/679.3, 679.56;
(Continued)

(56) **References Cited**

U.S. PATENT DOCUMENTS

D502,928 S * 3/2005 Chun D13/168
D513,007 S * 12/2005 Gundogan D14/441
D518,036 S * 3/2006 Da Silva D14/248
(Continued)

FOREIGN PATENT DOCUMENTS

KR 3008828540004 * 2/2017

OTHER PUBLICATIONS

Announcing the ROG Phone: Changing the Game for Mobile, by Geoff_Gasior, posted Jun. 4, 2018, [online], [site visited Oct. 26,

2020], Available from Internet, URL: <https://rog.asus.com/articles/smartphones/announcing-the-rog-phone-changing-the-game-for-mobile/> (Year: 2018).*

(Continued)

Primary Examiner — Jeffrey D Asch
(74) *Attorney, Agent, or Firm* — McClure, Qualye & Rodack, LLP.

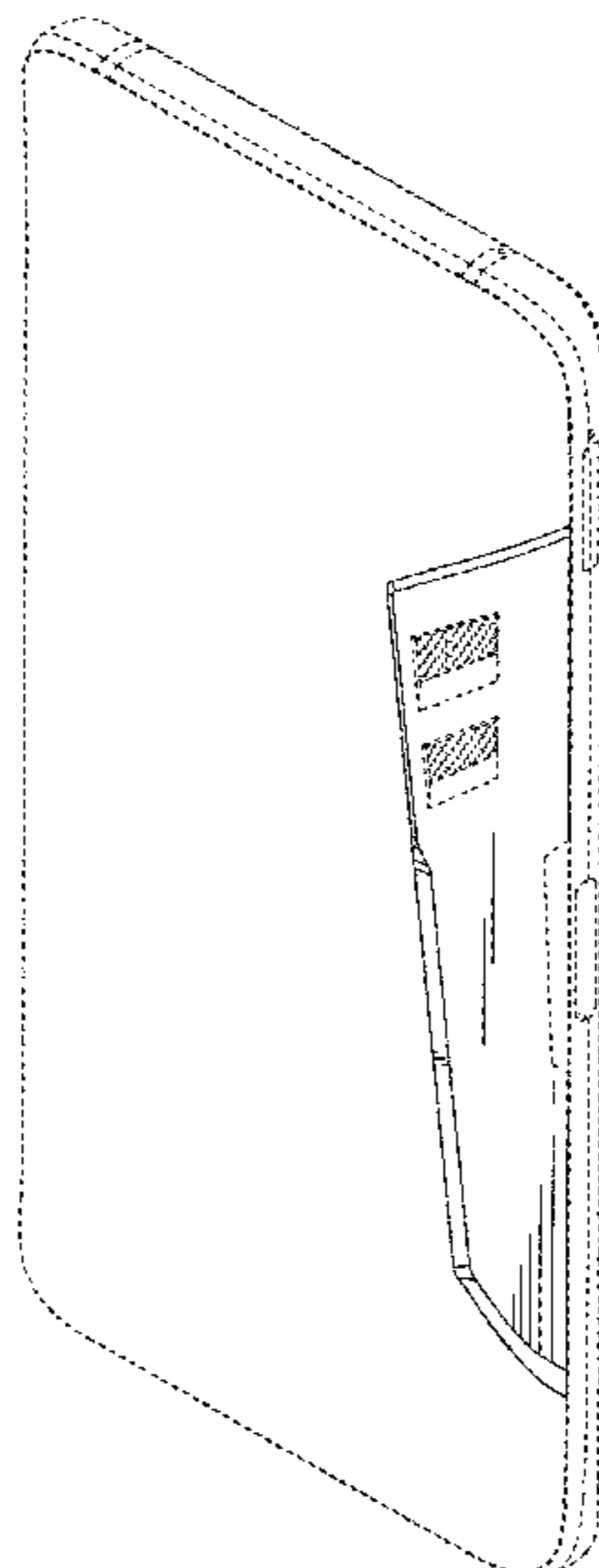
(57) **CLAIM**

The ornamental design for a mobile device, as shown and described.

DESCRIPTION

FIG. 1 is a top, front, right side perspective view of a mobile phone showing a first embodiment of our new design; FIG. 2 is a front elevational view thereof; FIG. 3 is a rear elevational view thereof; FIG. 4 is a left side elevational view thereof; FIG. 5 is a right side elevational view thereof; FIG. 6 is a top plan view thereof; FIG. 7 is a bottom plan view thereof; FIG. 8 is a cross section-view of the mobile device of FIG. 1 taken along line 8-8 in FIG. 2; FIG. 9 is a top, front, right side perspective view of a mobile phone showing a second embodiment of our new design; FIG. 10 is a front elevational view thereof; FIG. 11 is a rear elevational view thereof; FIG. 12 is a left side elevational view thereof; FIG. 13 is a right side elevational view thereof; FIG. 14 is a top plan view thereof; FIG. 15 is a bottom plan view thereof; and, FIG. 16 is a cross section-view of the mobile device of FIG. 9 taken along line 16-16 in FIG. 10. The broken lines in the figures illustrate environmental structure of the article and form no part of the claimed design.

1 Claim, 12 Drawing Sheets



(58) **Field of Classification Search**

USPC D12/196, 190; D27/160, 154, 189;
D28/83

CPC . G06F 1/1626; H04M 1/0266; H04M 1/0202;
H04M 1/026

See application file for complete search history.

(56) **References Cited**

U.S. PATENT DOCUMENTS

D591,740 S *	5/2009	Luke	D14/341
D603,855 S *	11/2009	Nuovo	D13/103
D622,902 S *	8/2010	An	D27/154
8,254,114 B2 *	8/2012	Lin	H01M 2/1022 361/679.56
D673,553 S *	1/2013	Weller	D14/250
D695,284 S *	12/2013	Cho	D14/248
D698,343 S *	1/2014	Chang	D14/250
D700,595 S *	3/2014	Hong	D14/248
D710,827 S *	8/2014	Lum	D14/218
D720,736 S *	1/2015	Chen	D14/250
D721,358 S *	1/2015	Pickett	D14/250
D721,680 S *	1/2015	Lee	D14/248
D737,259 S *	8/2015	Choi	D14/248
D743,332 S *	11/2015	Ju	D13/108

D760,216 S *	6/2016	Krause	D14/341
D766,227 S *	9/2016	Wu	D14/250
D769,233 S *	10/2016	Qian	D14/250
D772,212 S *	11/2016	Daniel	D14/250
D775,098 S *	12/2016	Nishikawa	D14/138 G
D791,759 S *	7/2017	Lin	D14/250
D794,588 S *	8/2017	Daniel	D14/138 G
D803,224 S *	11/2017	Besterman	D14/441
D808,371 S *	1/2018	Kim	D14/250
D818,466 S *	5/2018	Chang	D14/341
D851,637 S *	6/2019	Van Gelderen	D14/250
D854,474 S *	7/2019	Grand	D12/190
D874,366 S *	2/2020	Munsell	D12/181
D874,368 S *	2/2020	Smith	D12/190

OTHER PUBLICATIONS

Asus ROG Phone ZS600KL, released Oct. 2018, [online], [site visited Aug. 12, 2020], Available from Internet, URL: https://www.gsmarena.com/asus_rog_phone_zs600kl-pictures-9224.php (Year: 2018).*

Meizu Pro 7, released Aug. 2017, [online], [site visited Aug. 12, 2020], Available from Internet, URL: https://www.gsmarena.com/meizu_pro_7-pictures-8445.php (Year: 2017).*

* cited by examiner

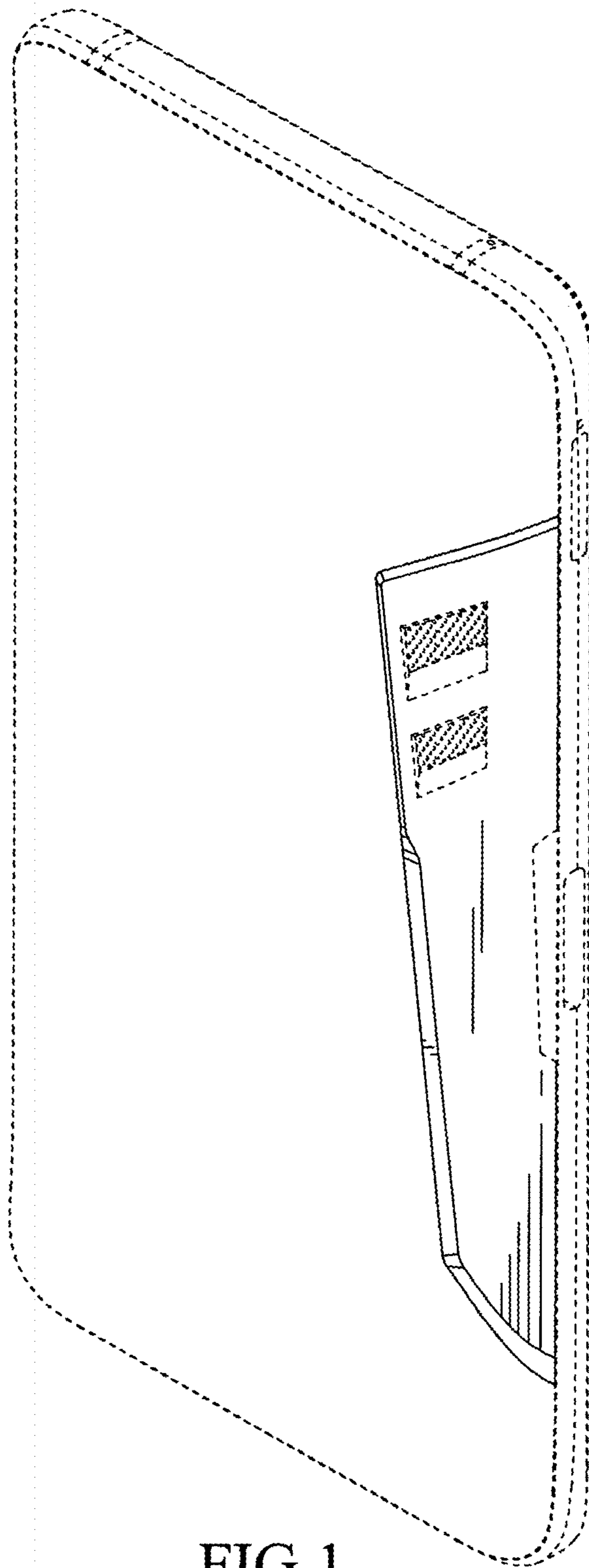


FIG. 1

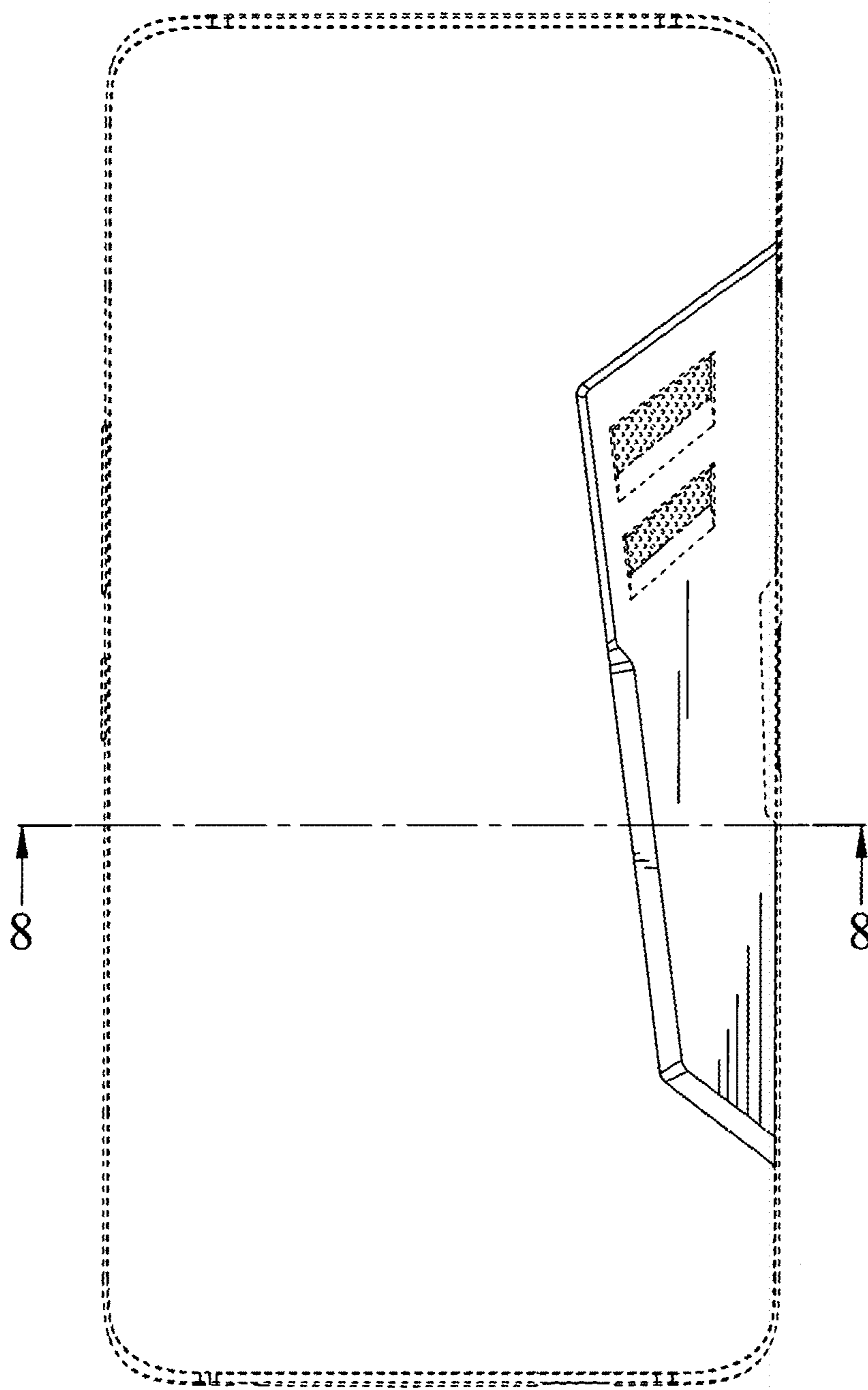


FIG. 2

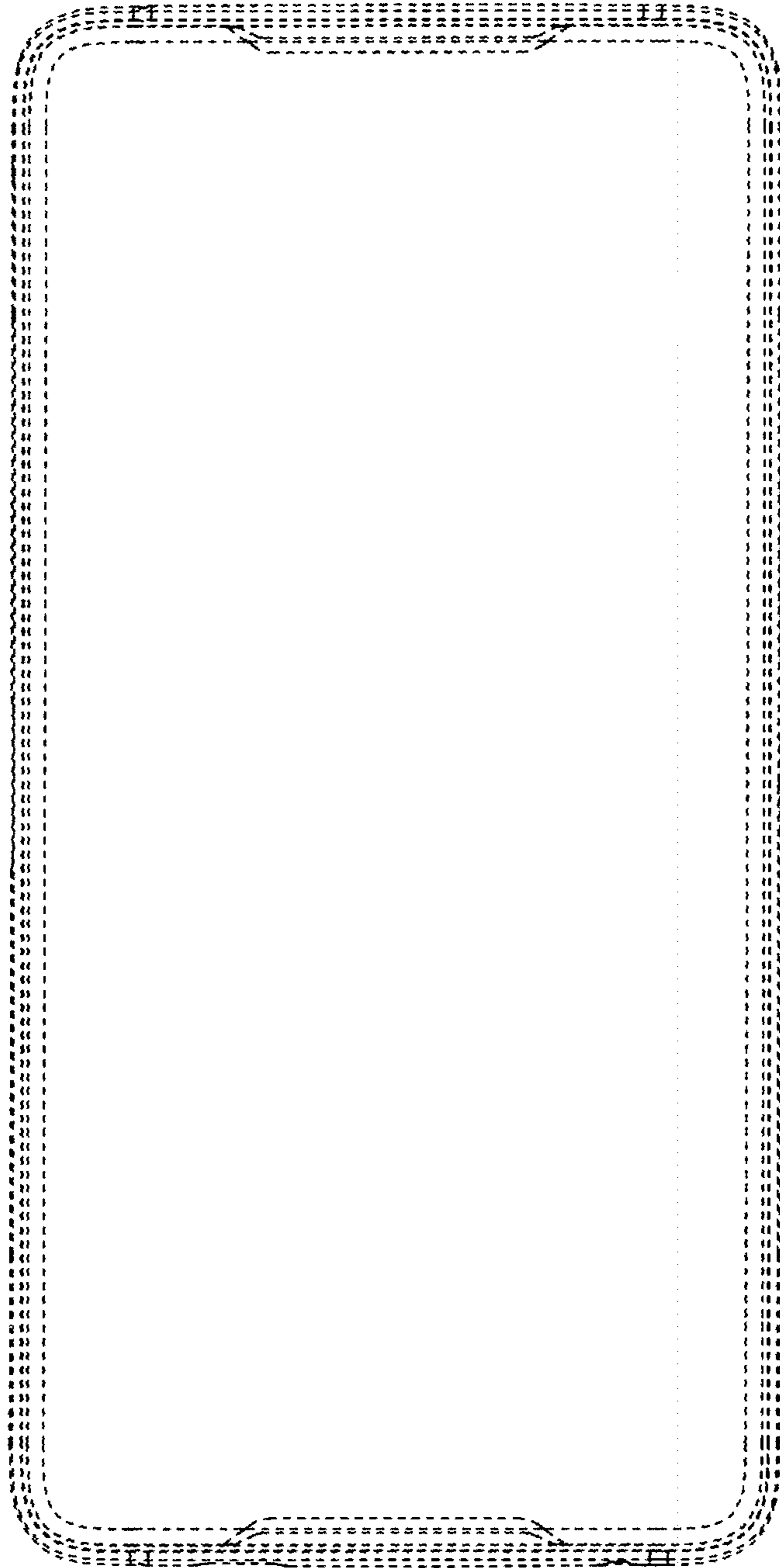


FIG. 3

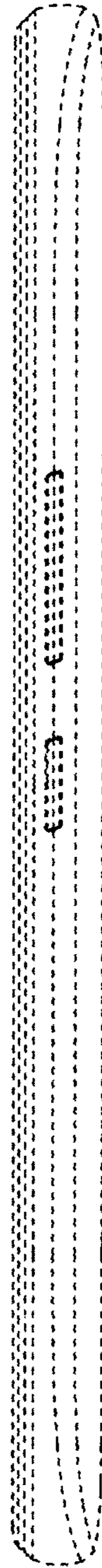


FIG.4

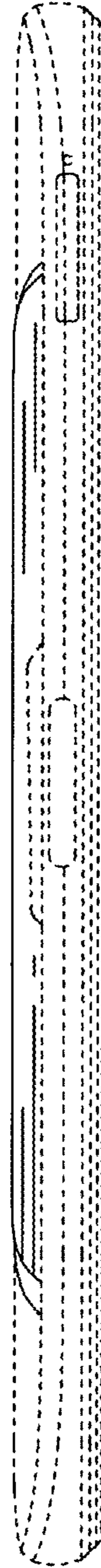


FIG.5



FIG. 6

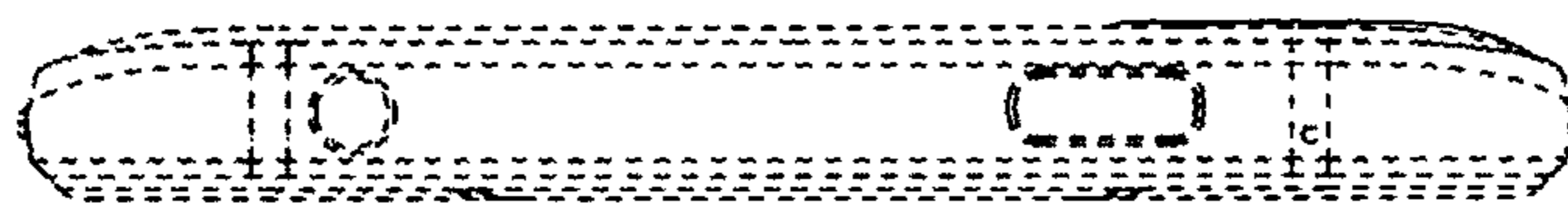


FIG. 7

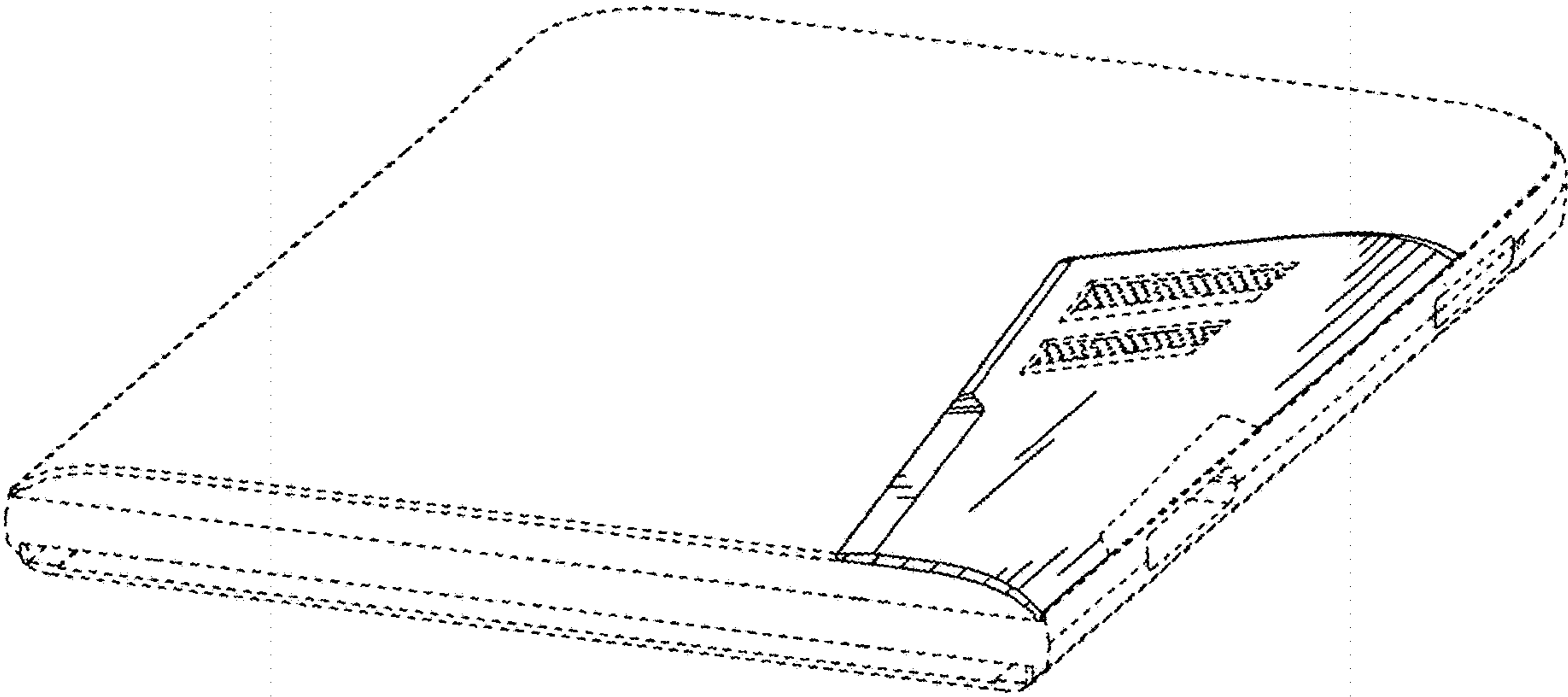


FIG.8

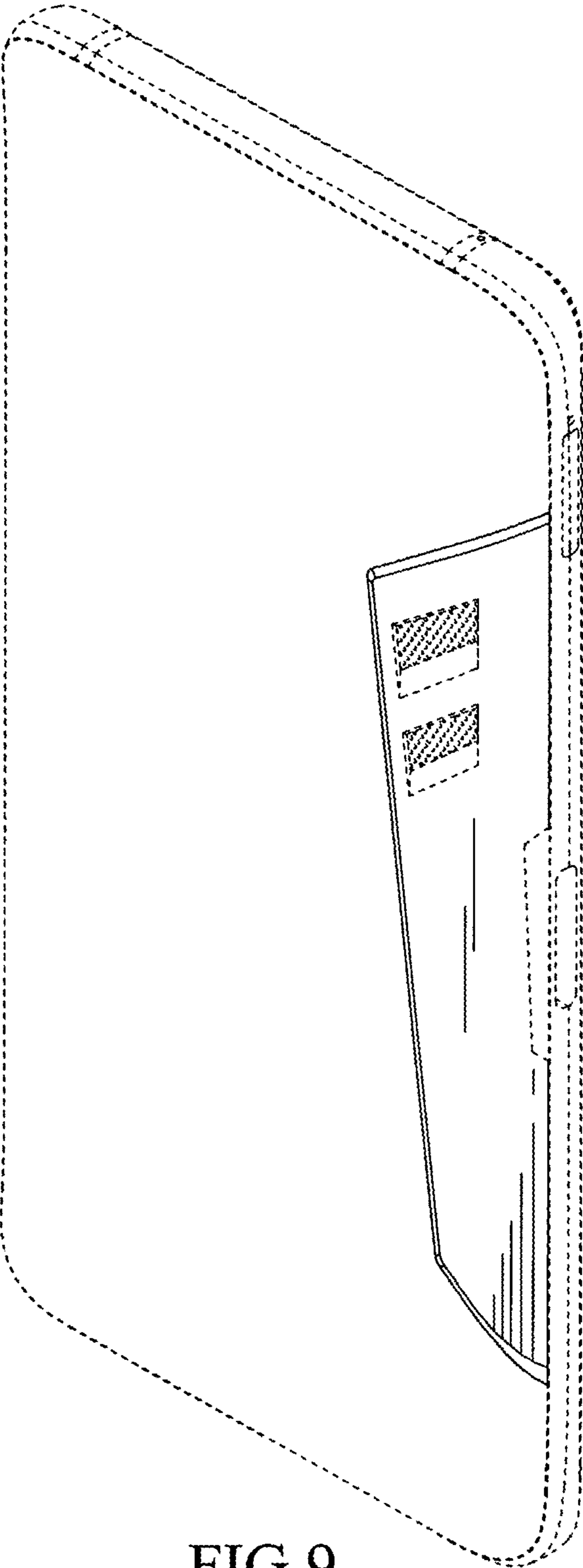


FIG.9

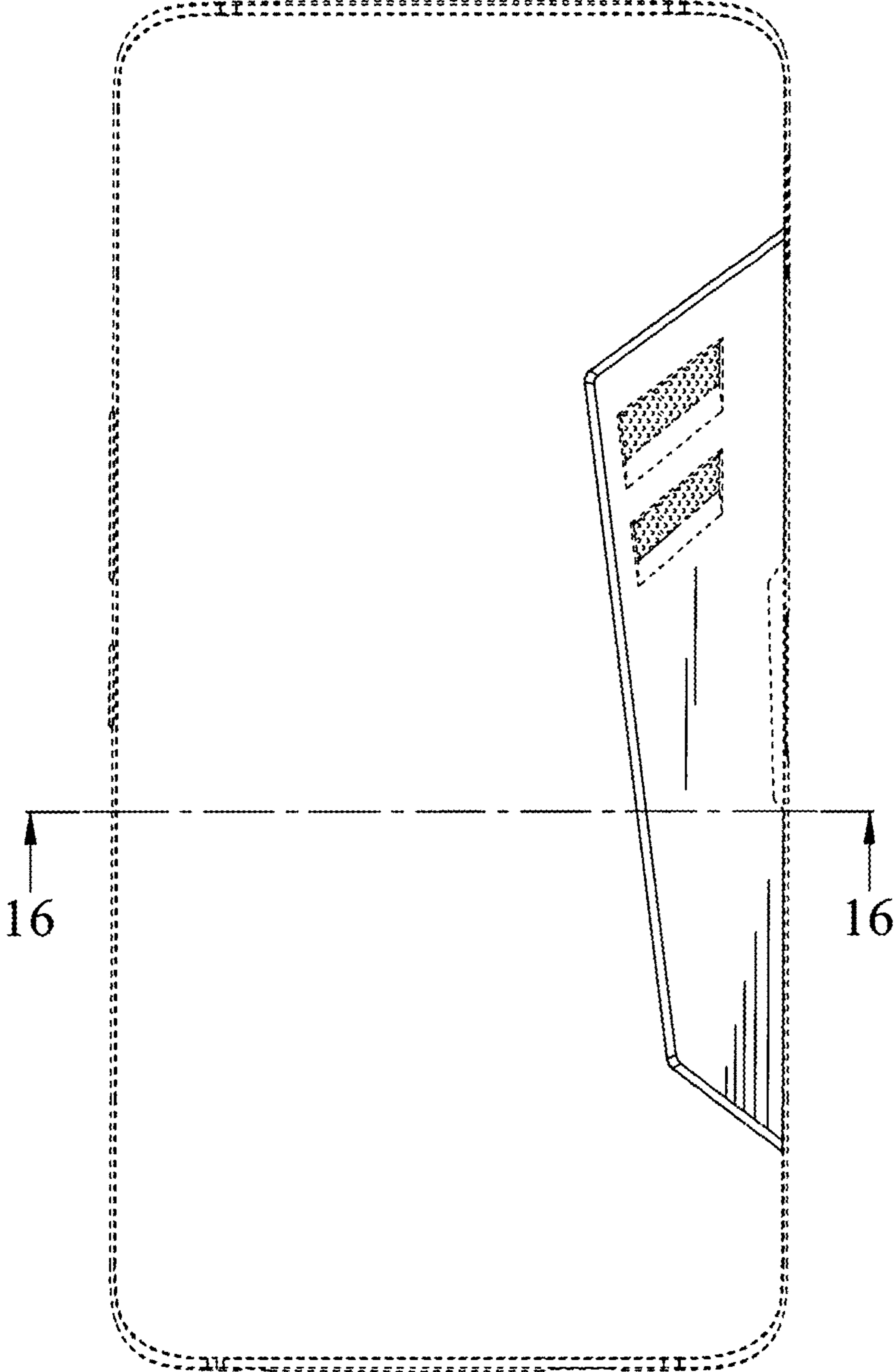


FIG. 10

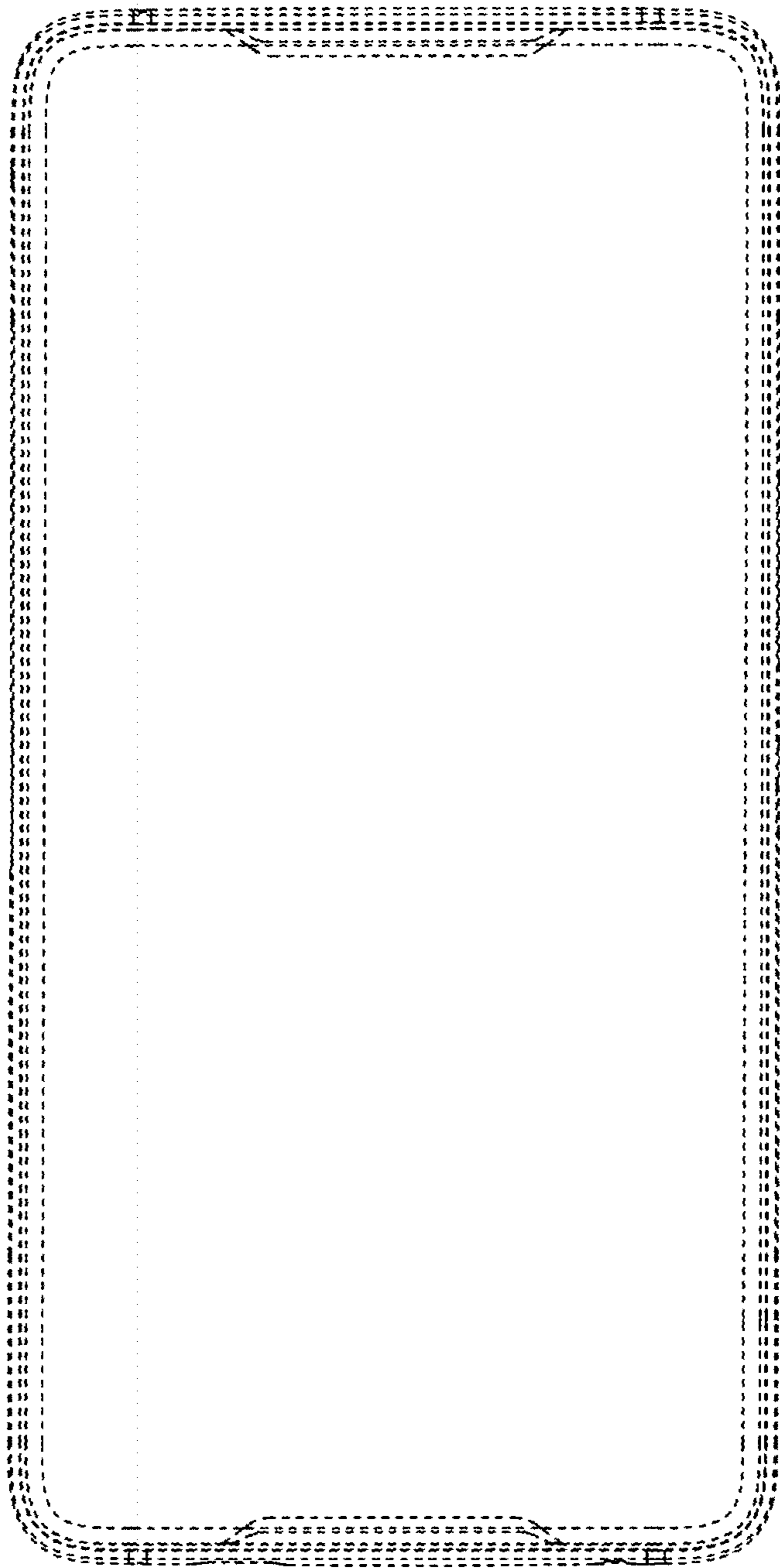


FIG. 11

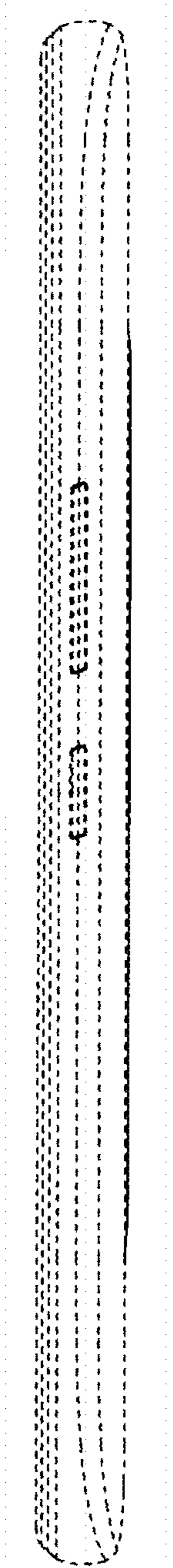


FIG. 12

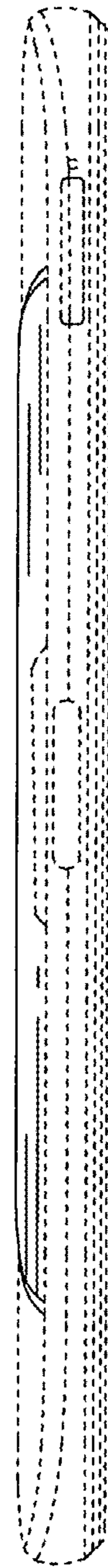


FIG. 13

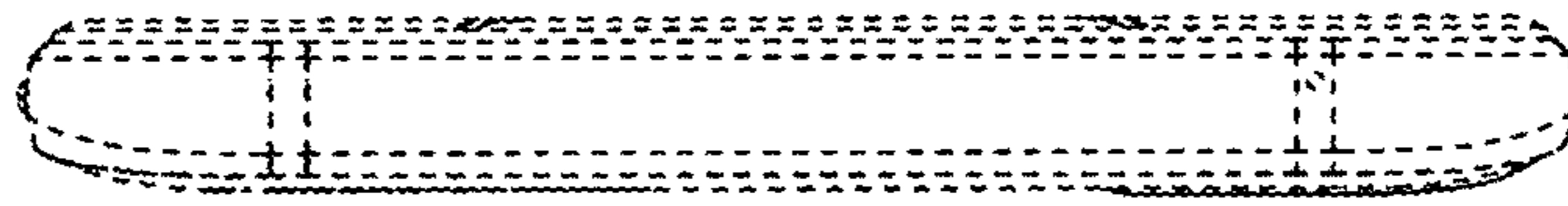


FIG. 14

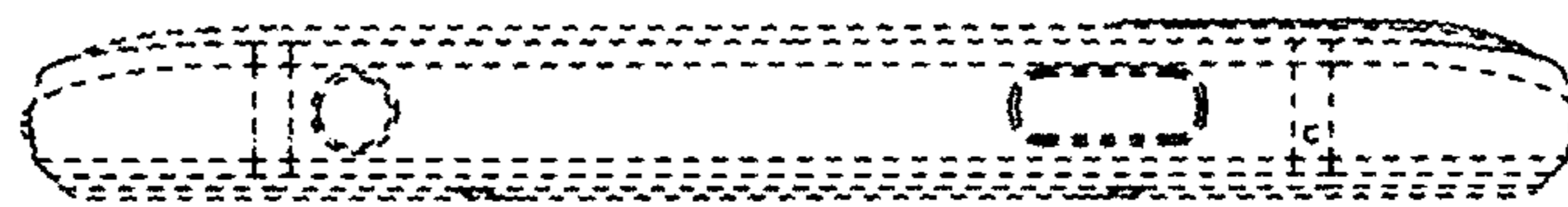


FIG. 15

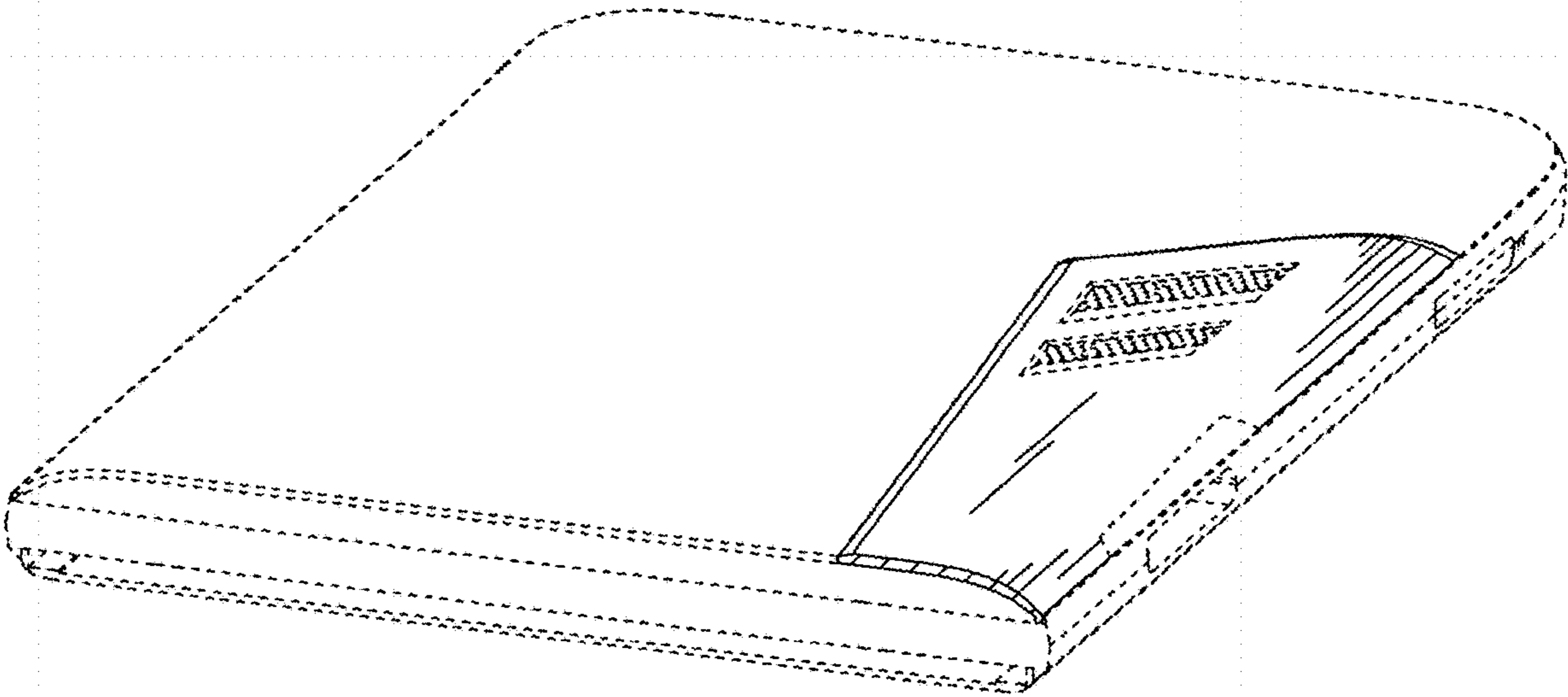


FIG.16