

US00D918882S

(12) **United States Design Patent** (10) **Patent No.:** **US D918,882 S**
Andersson et al. (45) **Date of Patent:** **** May 11, 2021**

(54) **NETWORK SWITCH**

5,065,278 A * 11/1991 Schultz H05K 7/209
361/688

(71) Applicant: **Siemens Canada Limited**, Oakville
(CA)

D328,058 S * 7/1992 Suzuki D13/110
D328,593 S * 8/1992 Hutton D13/184

(Continued)

(72) Inventors: **Jan Andersson**, Erlangen (DE); **Nina
Wendt**, Erlangen (DE)

OTHER PUBLICATIONS

(73) Assignee: **Siemens Canada Limited**, Oakville
(CA)

Network switches for computers. (Design—© Questel) orbit.com.
[online PDF]20 pgs. Print Dates Sep. 3, 2018. [retrieved Sep. 17,
2020] <https://www.orbit.com/export/QPTUJ214/pdf2/42239d38-9a9a-48ad-ae81-893e3d43ffb5-175651.pdf>.*

(**) Term: **15 Years**

Primary Examiner — Marie D. Fast Horse

(21) Appl. No.: **29/677,760**

(22) Filed: **Jan. 23, 2019**

(30) **Foreign Application Priority Data**

(57) **CLAIM**

Aug. 23, 2018 (EM) 005618295

We claim the ornamental design for a network switch, as shown and described.

(51) **LOC (13) Cl.** **14-03**

(52) **U.S. Cl.**
USPC **D14/240; D14/358**

(58) **Field of Classification Search**
USPC ... D14/140.1, 240, 242, 358, 125, 129, 130,
D14/140, 142, 155, 167, 168, 172, 188,
D14/195, 299, 496, 348, 351, 356, 357,
D14/197, 198, 230, 104.6, 300, 301, 312,
D14/313; D13/110, 123, 152, 158, 162,
D13/162.1, 163, 168, 184, 199, 108, 179,
D13/133; D10/104.1, 106.1, 106.6,
D10/116.1, 61, 64, 75, 106.9
CPC . G06F 1/182; G06F 1/20; G06F 1/206; G02B
6/354; G02B 6/3562; H05K 7/1464;
H04L 12/00; H04L 12/02; H04L 12/28;
H04L 12/2801; H04L 12/2803; H04L
12/2838; H04L 12/2852; H04L 12/2854;
H04L 12/2881; H04L 2012/5619
See application file for complete search history.

DESCRIPTION

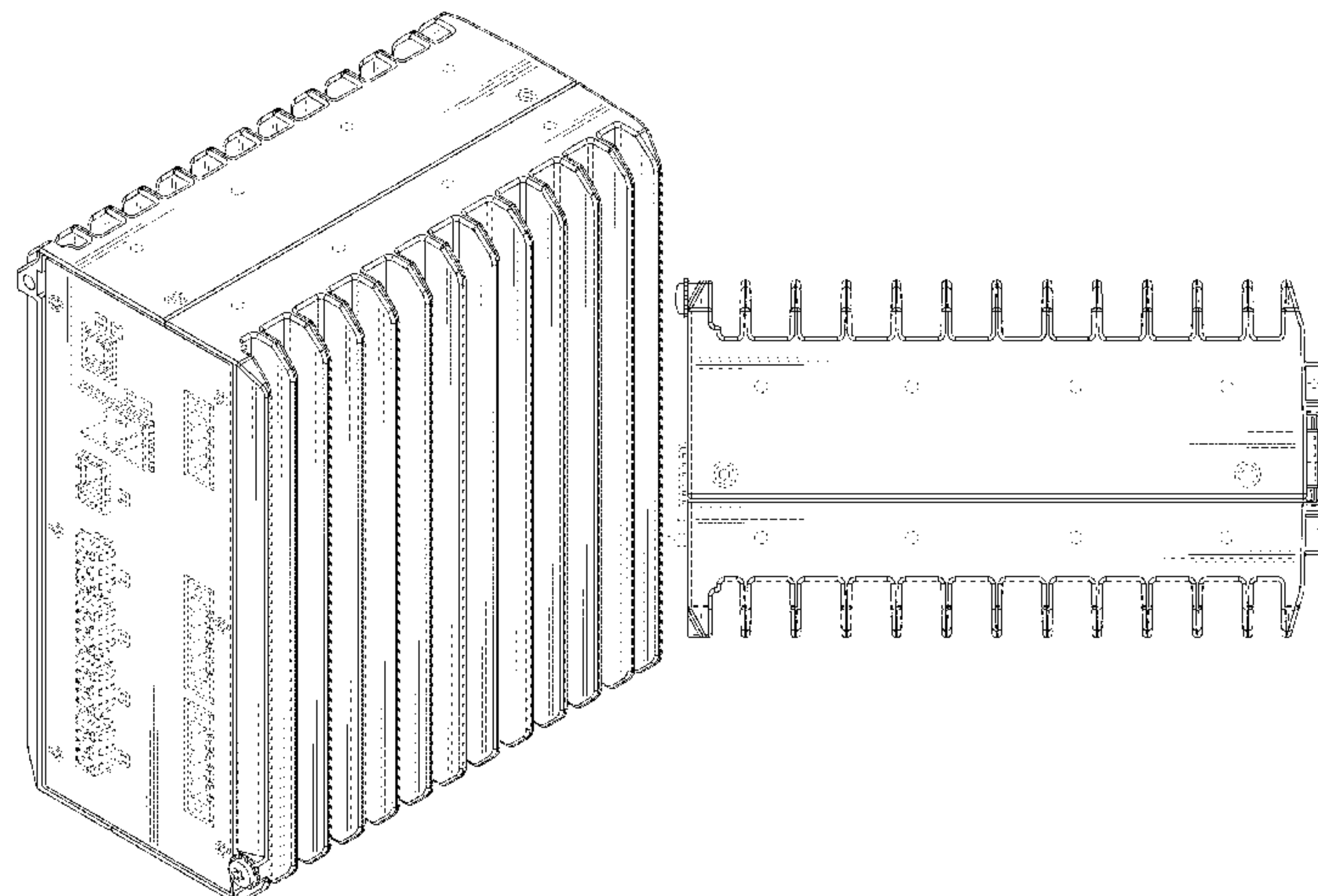
FIG. 1 is a perspective view of a network switch for a computer embodying the invention;
FIG. 2 is a front view thereof;
FIG. 3 is a rear view thereof;
FIG. 4 is a top plan view thereof;
FIG. 5 is a bottom plan view thereof;
FIG. 6 is a left side view thereof;
FIG. 7 is a right side view thereof;
FIG. 8 is another perspective view showing the network switch of FIGS. 1-7 with an alternate unclaimed port configuration;
FIG. 9 is another perspective view of the network switch of FIGS. 1-7 with an alternate unclaimed port configuration;
and,
FIG. 10 is another perspective view of the network switch of FIGS. 1-7 with an alternate unclaimed port configuration.
The broken lines in the drawings depict portions of the network switch that form no part of the claim.

(56) **References Cited**

U.S. PATENT DOCUMENTS

D251,730 S * 5/1979 Root D14/137
D290,836 S * 7/1987 Oesterheld D13/139.8

1 Claim, 10 Drawing Sheets



(56)

References Cited

U.S. PATENT DOCUMENTS

D329,425 S * 9/1992 Hutton D13/184
 D329,426 S * 9/1992 Hutton D13/184
 D329,639 S * 9/1992 Arvanitakis D13/133
 D330,702 S * 11/1992 Hutton D13/184
 5,267,122 A * 11/1993 Glover G02B 6/3897
 174/50.51
 D366,243 S * 1/1996 Kurokawa D13/162
 D366,867 S * 2/1996 Kurokawa D13/162
 D368,261 S * 3/1996 Shushurin D13/110
 D380,447 S * 7/1997 Chen D13/164
 D383,448 S * 9/1997 Richardson D14/313
 D392,645 S * 3/1998 Wakabayashi D13/123
 D400,206 S * 10/1998 Mahgerefteh D14/188
 D414,774 S * 10/1999 Gauffin D13/184
 D416,903 S * 11/1999 Kizawa D14/188
 D424,066 S * 5/2000 Wheatley D14/240
 D425,517 S * 5/2000 Wheatley D14/240
 D428,006 S * 7/2000 Sagues D14/356
 D454,873 S * 3/2002 Clark D14/358
 D464,327 S * 10/2002 Frank, Jr. D13/162
 D473,196 S * 4/2003 Fujikura D13/164
 D474,767 S * 5/2003 Heesen D14/354
 D478,061 S * 8/2003 Abe D14/188
 D479,202 S * 9/2003 Fujikura D13/158
 D479,203 S * 9/2003 Korematsu D13/158
 D490,805 S * 6/2004 Lee D14/312
 D492,251 S * 6/2004 Cameron D13/110
 D494,142 S * 8/2004 Schon D13/162
 D512,707 S * 12/2005 Chen D14/188
 D521,001 S * 5/2006 Xiao D14/356
 D547,267 S * 7/2007 Thorsteinsson D13/110
 7,277,295 B2 * 10/2007 Zimmerman G06F 1/182
 257/E23.086
 D554,638 S * 11/2007 Heesen D14/348
 D558,732 S * 1/2008 Salerno D14/188
 D565,021 S * 3/2008 Wilson D14/188
 D573,945 S * 7/2008 Park D13/110

7,447,147 B2 * 11/2008 Nguyen G06F 1/206
 370/216
 D595,239 S * 6/2009 Inoue D13/158
 D600,213 S * 9/2009 Inoue D13/133
 D607,821 S * 1/2010 Fukano D13/146
 D611,004 S * 3/2010 Nutting D13/162
 D619,969 S * 7/2010 Apfelbacher D13/159
 D621,351 S * 8/2010 Huang D13/110
 D621,793 S * 8/2010 Nutting D13/164
 D651,200 S * 12/2011 Sugime D14/240
 D662,091 S * 6/2012 Lopenen D14/240
 D671,925 S * 12/2012 Tsuda D14/240
 D672,755 S * 12/2012 Vuillet D14/240
 D673,145 S * 12/2012 Andersson D14/314
 D684,151 S * 6/2013 Andersson D14/314
 D694,735 S * 12/2013 Wilson D14/188
 D695,686 S * 12/2013 Fukano D13/146
 D695,687 S * 12/2013 Fukano D13/146
 D698,347 S * 1/2014 Andersson D14/314
 D703,181 S * 4/2014 Wilson D14/188
 D705,171 S * 5/2014 Fukano D13/146
 D707,197 S * 6/2014 Jaenecke D14/157
 D724,051 S * 3/2015 Nakahira D14/188
 D737,241 S * 8/2015 Duran D14/188
 D737,807 S * 9/2015 Jekl D14/257
 D737,817 S * 9/2015 Starck D14/365
 D740,235 S * 10/2015 Andersson D13/158
 D759,648 S * 6/2016 Ting D14/313
 D798,856 S * 10/2017 Menendez D14/313
 D799,474 S * 10/2017 Menendez D14/313
 D857,636 S * 8/2019 Ueda D13/162.1
 D860,191 S * 9/2019 Gao D14/301
 D861,609 S * 10/2019 Kato D13/123
 D869,404 S * 12/2019 Ueda D13/162.1
 D888,046 S * 6/2020 Lu D14/301
 D895,561 S * 9/2020 Xiang D13/184
 D897,308 S * 9/2020 Kato D14/188
 2004/0170004 A1 * 9/2004 Zimmerman G06F 1/20
 361/752

* cited by examiner

FIG. 1

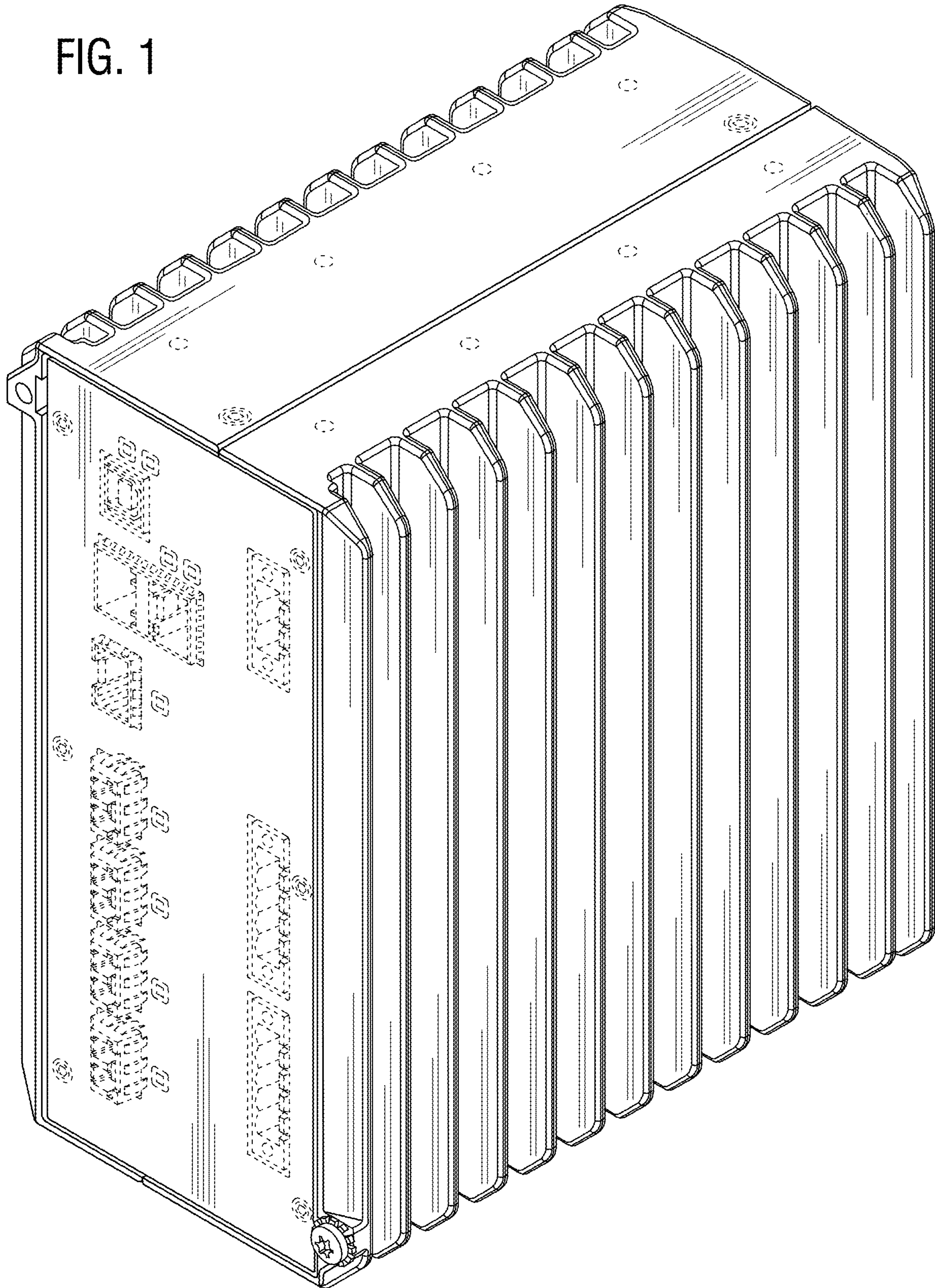


FIG. 2

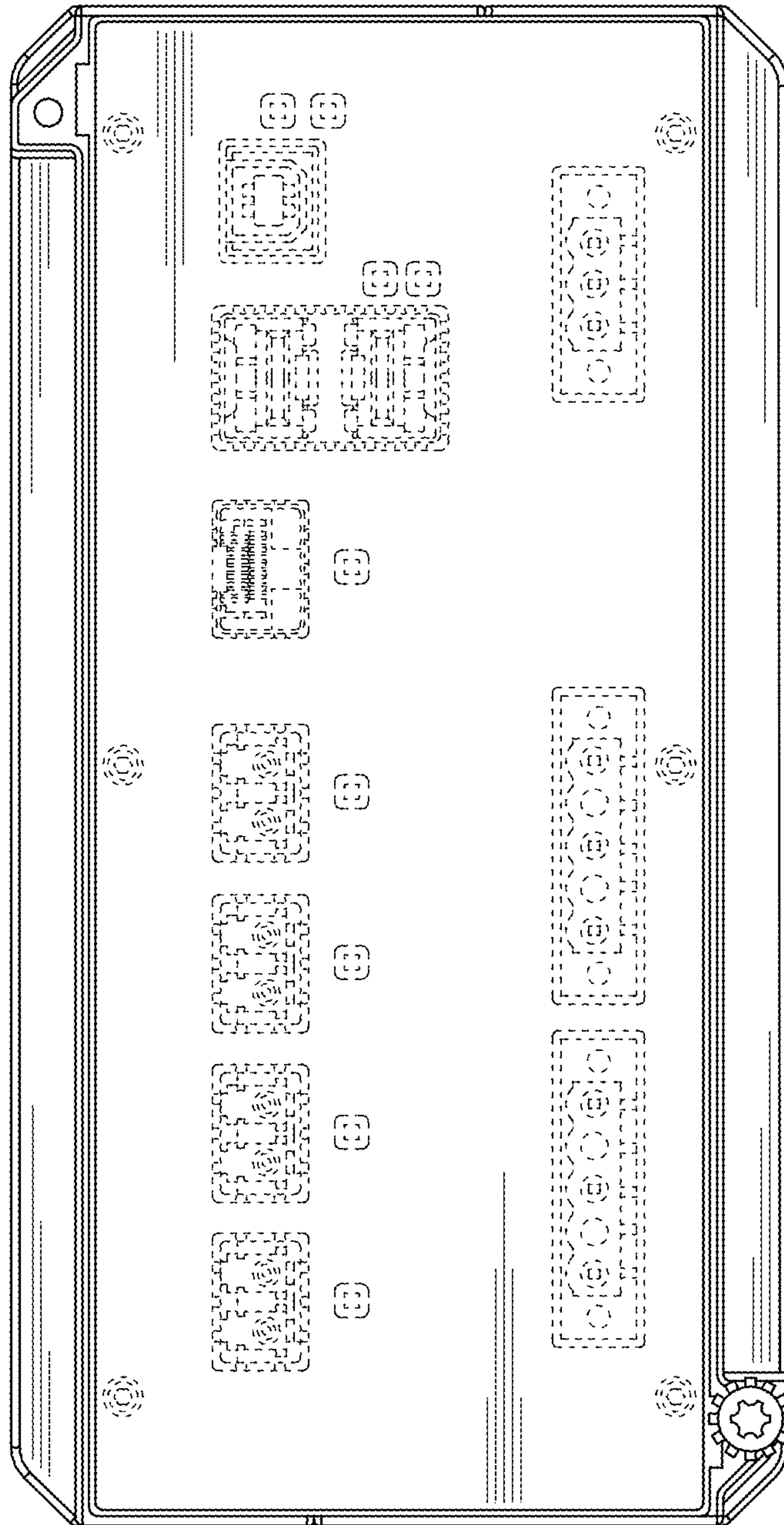


FIG. 3

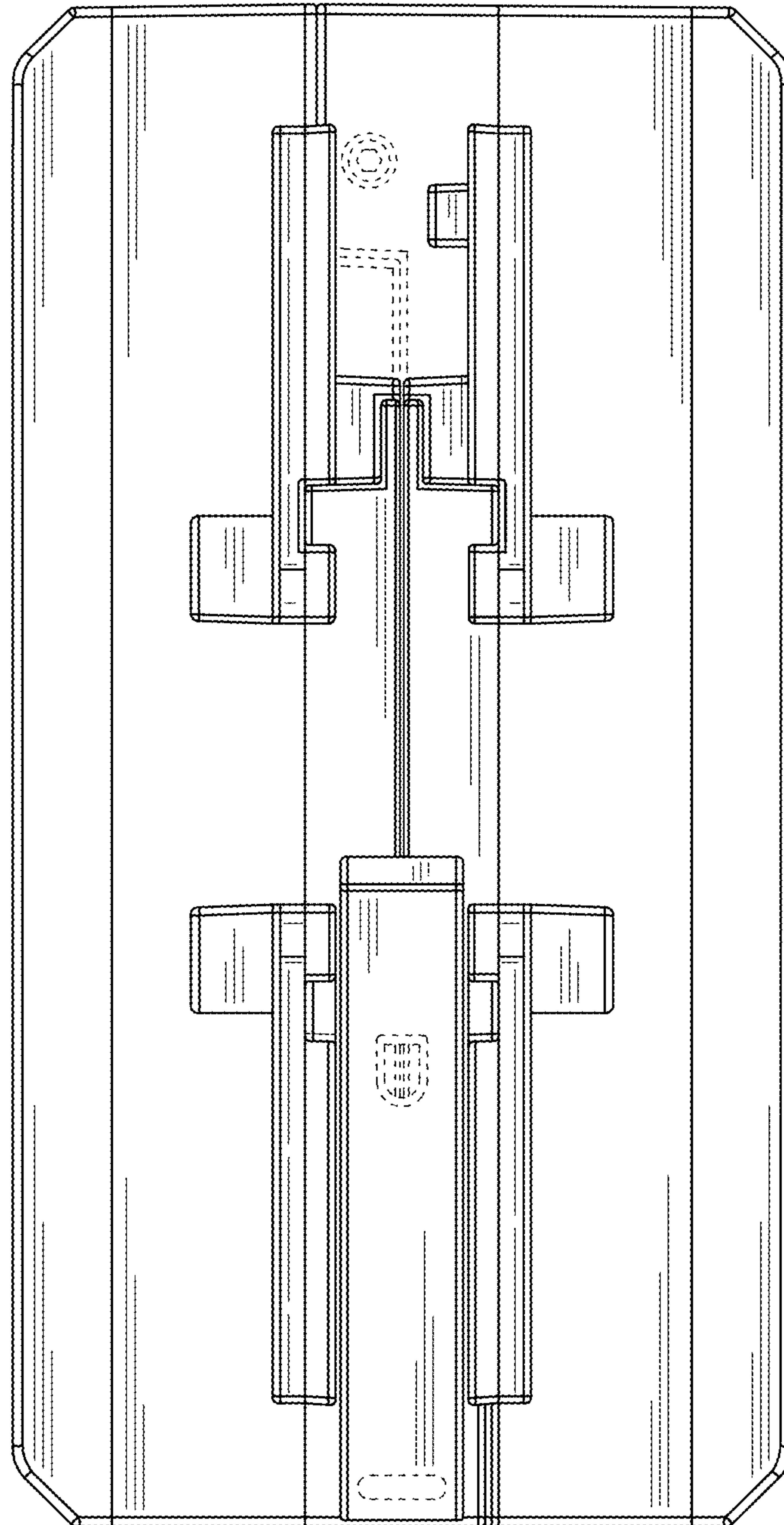


FIG. 4

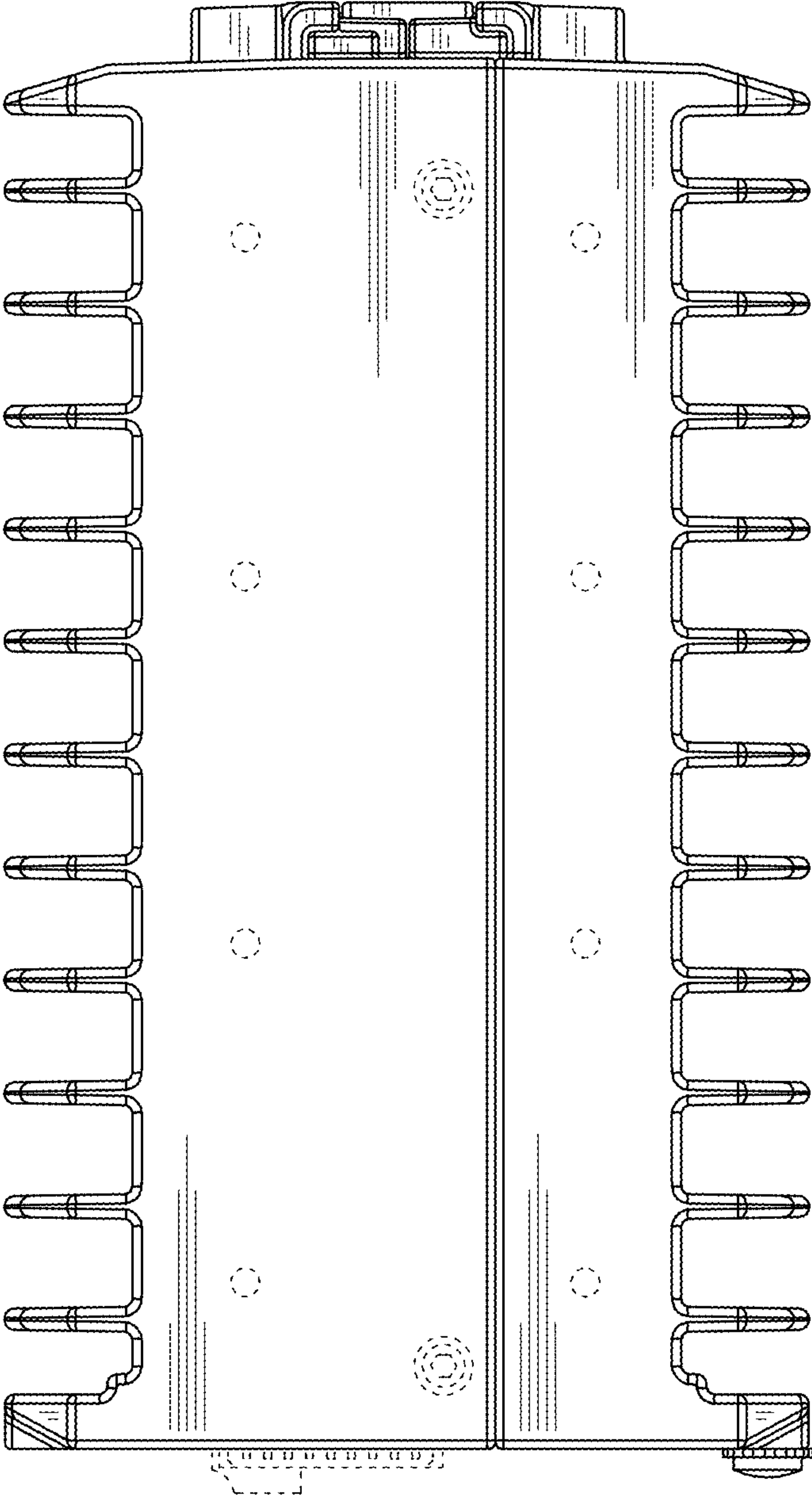


FIG. 5

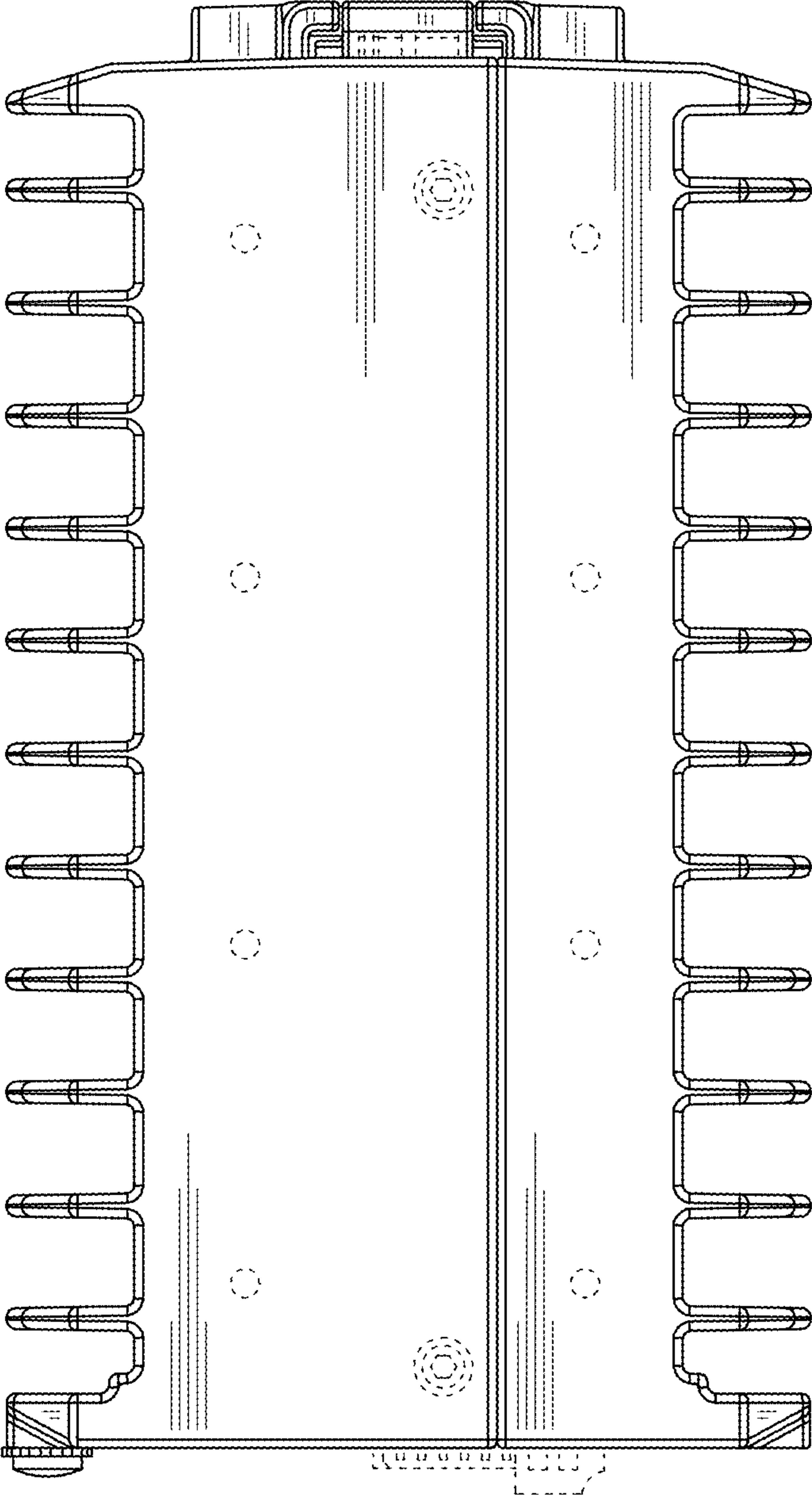


FIG. 6

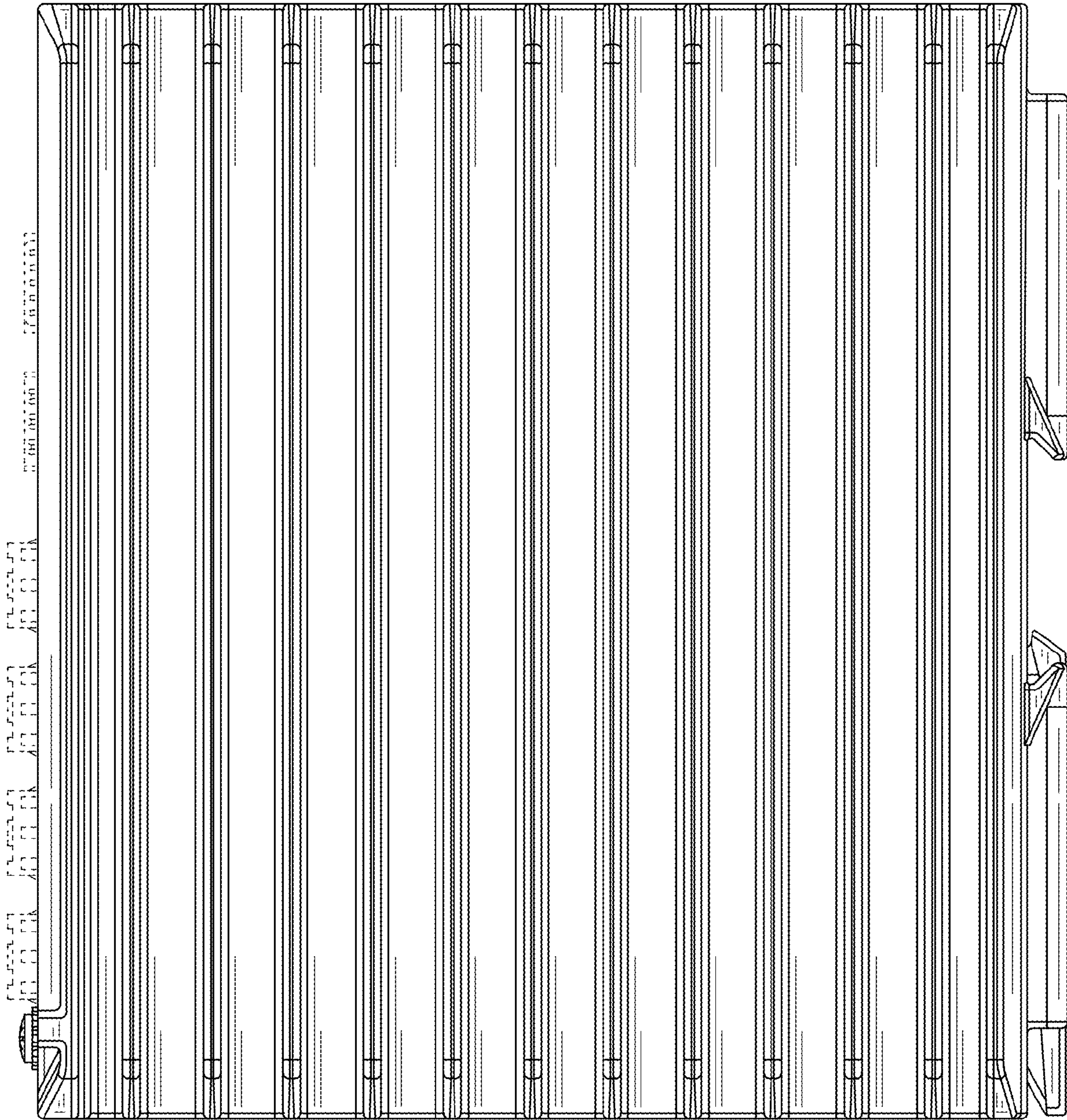


FIG. 7

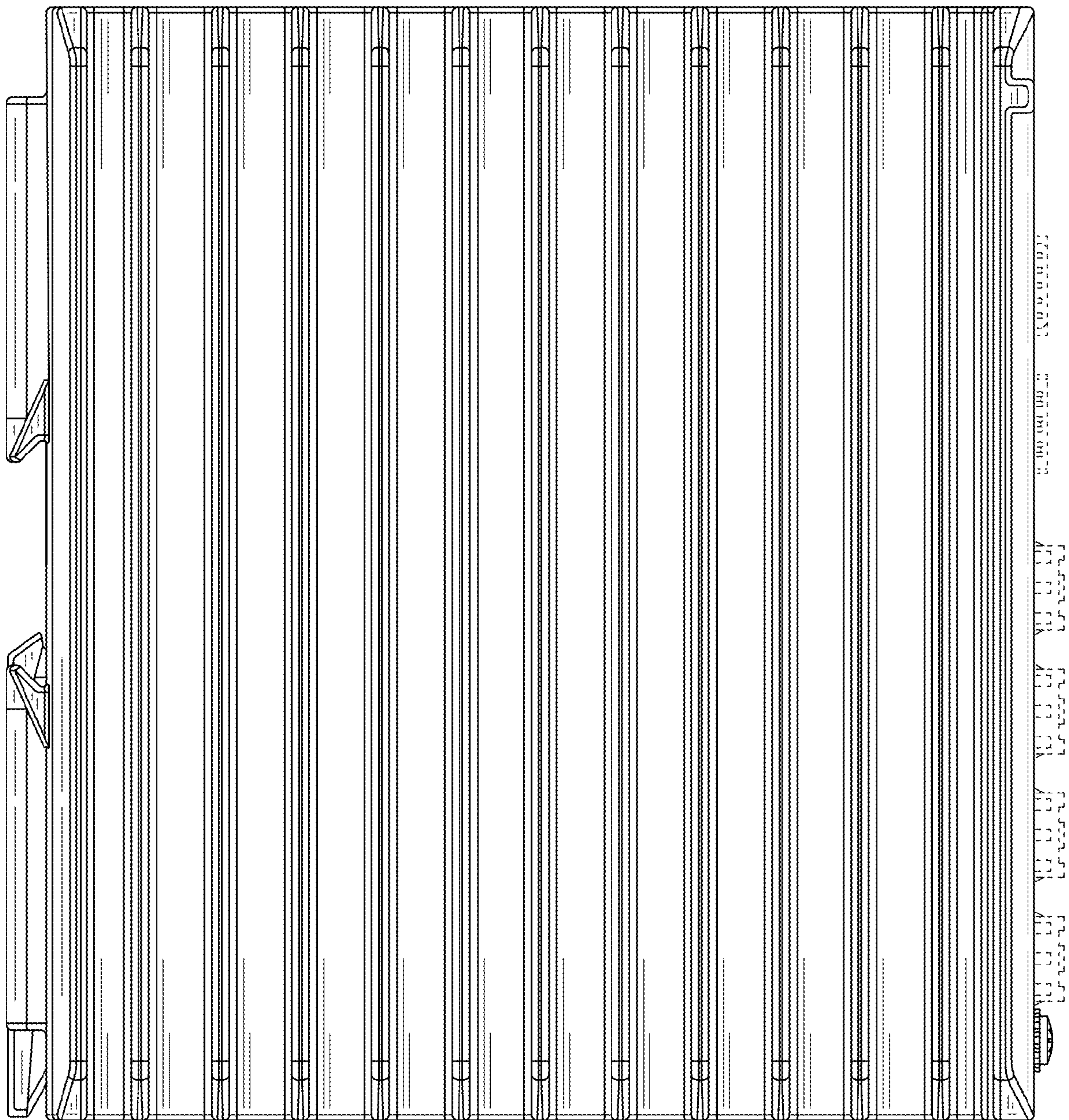


FIG. 8

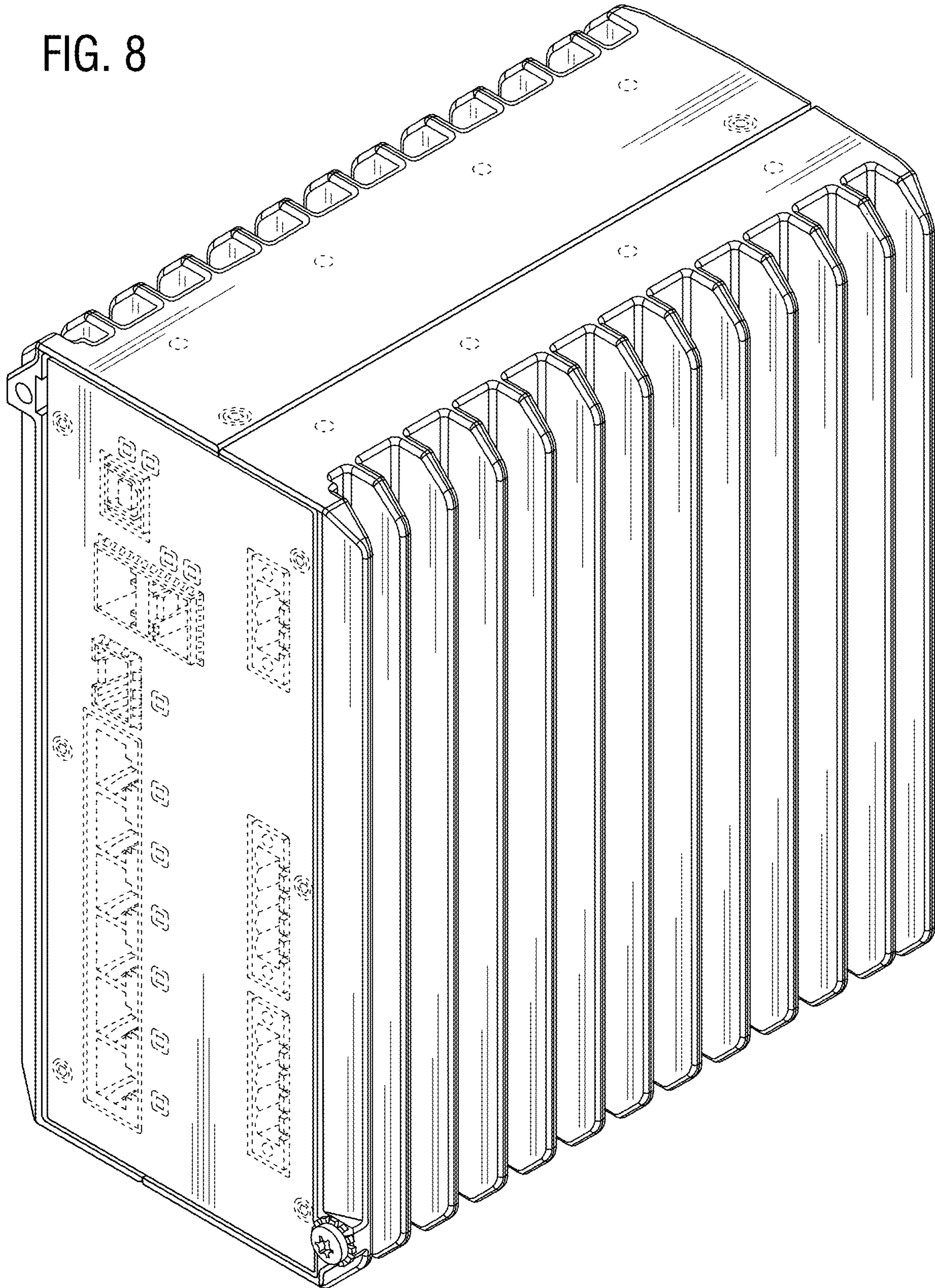


FIG. 9

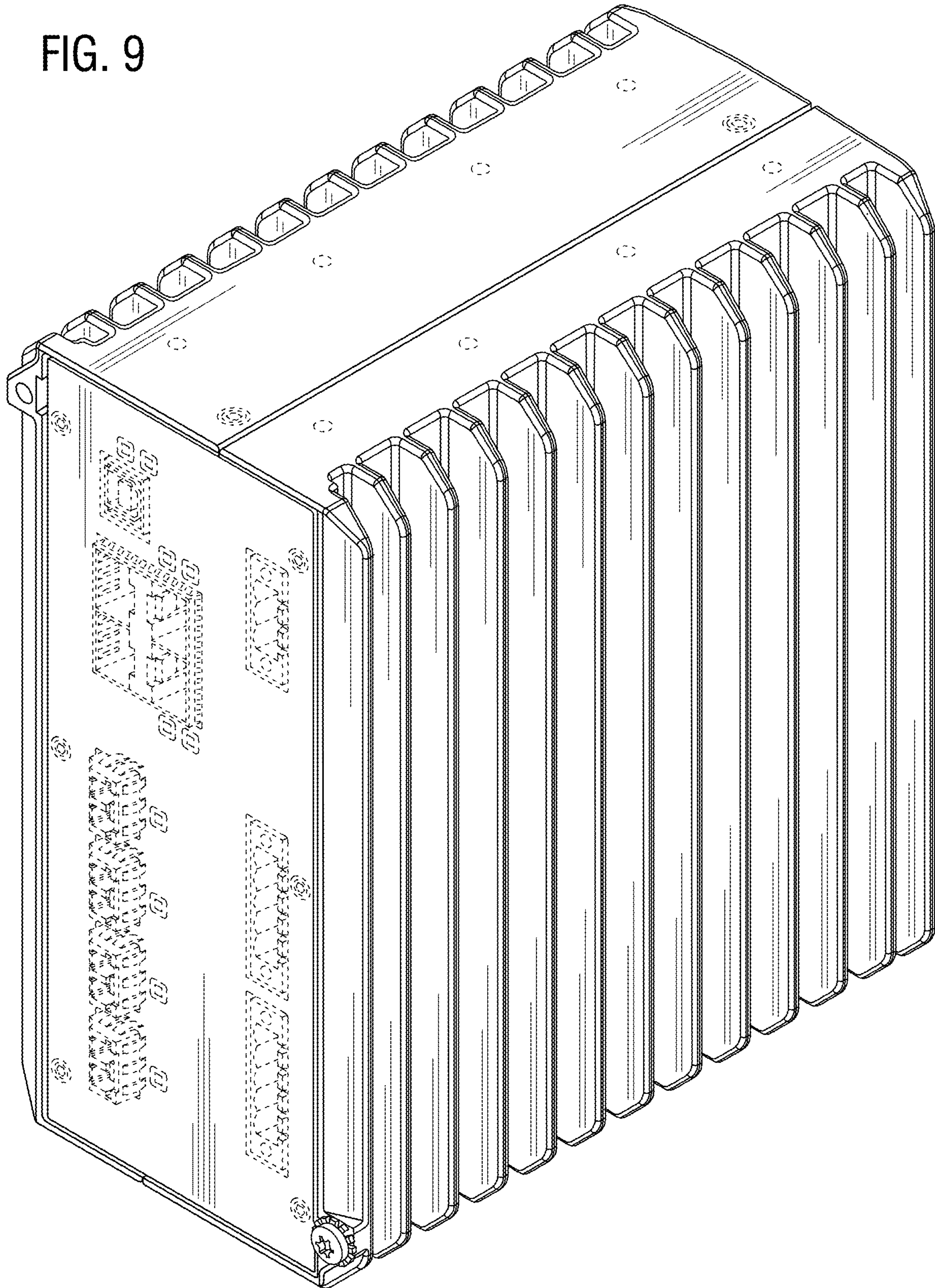


FIG. 10

