



US00D918881S

(12) **United States Design Patent** (10) **Patent No.:** **US D918,881 S**
Lu (45) **Date of Patent:** **** May 11, 2021**

(54) **DISPLAY MOUNT**

D848,989 S * 5/2019 Pei D14/239
D880,462 S * 4/2020 Nakamura D14/239
D904,361 S * 12/2020 Pei D14/239

(71) Applicant: **PERLE ELECTRONICS
HARDWARE (HONG KONG) CO.,
LIMITED**, Hong Kong (CN)

OTHER PUBLICATIONS

(72) Inventor: **Chengan Lu**, Hong Kong (CN)

PSLT3 Tilting TV Wall Mount Bracket . . . , review date: Jan. 7, 2020, [retrieved Feb. 22, 2021], Retrieved from Internet, URL: <https://www.perlesmith.com/collections/tv-mounts/products/pslt3-tilting-tv-wall-mount-bracket> (Year: 2020).*

(73) Assignee: **PERLE ELECTRONICS
HARDWARE (HONG KONG) CO.,
LIMITED**, Hong Kong (CN)

PSLT4 Tilt TV Wall Mount Bracket . . . , release date: Nov. 6, 2020, [retrieved Feb. 22, 2021], Retrieved from Internet, URL: <https://www.perlesmith.com/collections/tv-mounts/products/pslt4-tilt-tv-wall-mount-bracket-for-40-82-inch-led-lcd-oled-4k-curved-flat-screen> (Year: 2020).*

(**) Term: **15 Years**

* cited by examiner

(21) Appl. No.: **29/748,339**

Primary Examiner — Barbara Fox
Assistant Examiner — Aram Kwon

(22) Filed: **Aug. 28, 2020**

(51) **LOC (13) Cl.** **14-03**

(57) **CLAIM**

(52) **U.S. Cl.**

The ornamental design for a display mount, as shown and described.

USPC **D14/239**

(58) **Field of Classification Search**

DESCRIPTION

USPC D14/125–129, 239, 251–253, 335,
D14/336–337, 371–382, 432, 439–441,
D14/447–452, 457, 492

CPC G06F 1/1616; G06F 3/011; G06F 3/016;
G06F 3/0202; G06F 3/0213; G06F
3/0219; G06F 3/023; G06F 3/0338; G06F
3/03543; G06F 3/038; G06F 3/0488;
G06F 3/04883

See application file for complete search history.

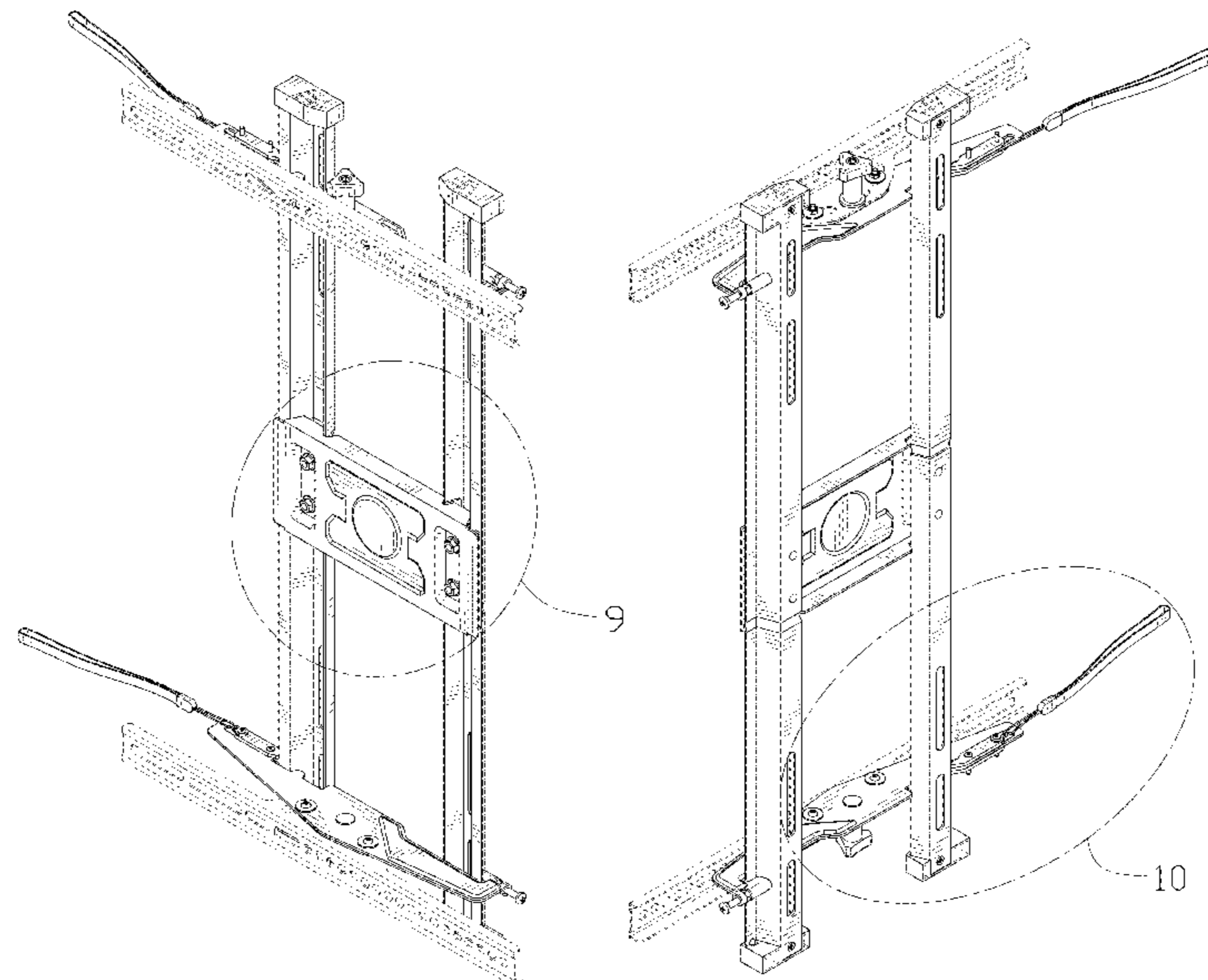
FIG. 1 is a perspective view of a display mount showing my new design;
FIG. 2 is another perspective view thereof;
FIG. 3 is a front elevational view thereof;
FIG. 4 is a rear elevational view thereof;
FIG. 5 is a left side elevational view thereof;
FIG. 6 is a right side elevational view thereof;
FIG. 7 is a top plan view thereof;
FIG. 8 is a bottom plan view thereof;
FIG. 9 is an enlarged view of portion 9 shown in FIG. 1; and,
FIG. 10 is an enlarged view of portion 10 shown in FIG. 2.
The evenly dashed broken lines in the drawings depict portions of the display mount that form no part of the claimed design. The dash-dot broken lines encircling portions of the claimed design that are illustrated in enlargements form no part of the claimed design.

(56) **References Cited**

U.S. PATENT DOCUMENTS

D537,706 S 3/2007 Ly Hau et al.
D602,923 S 10/2009 Skull
D643,421 S * 8/2011 Russell D14/239
D837,225 S 1/2019 Russell et al.
D842,283 S * 3/2019 Pei D14/239

1 Claim, 10 Drawing Sheets



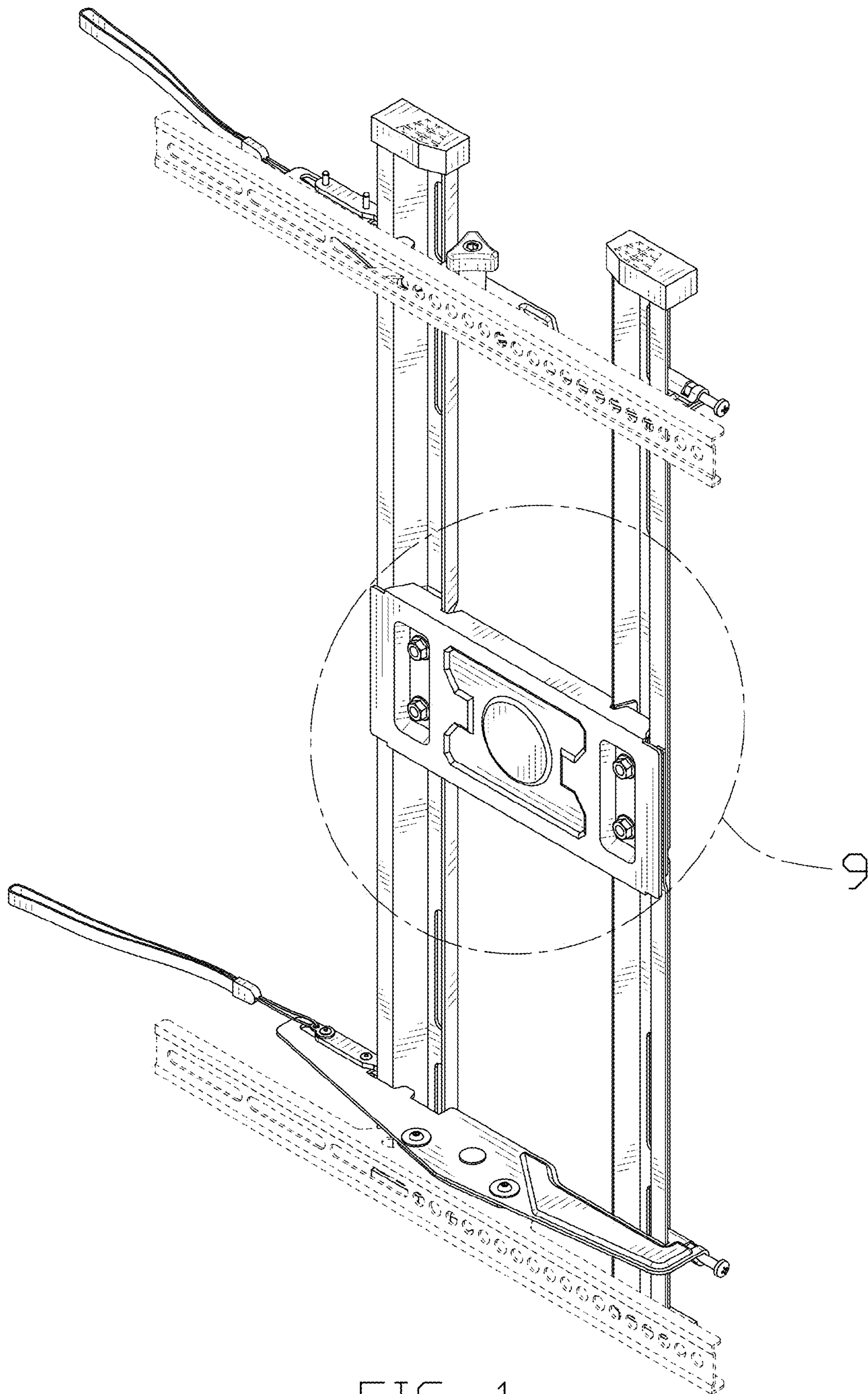


FIG. 1

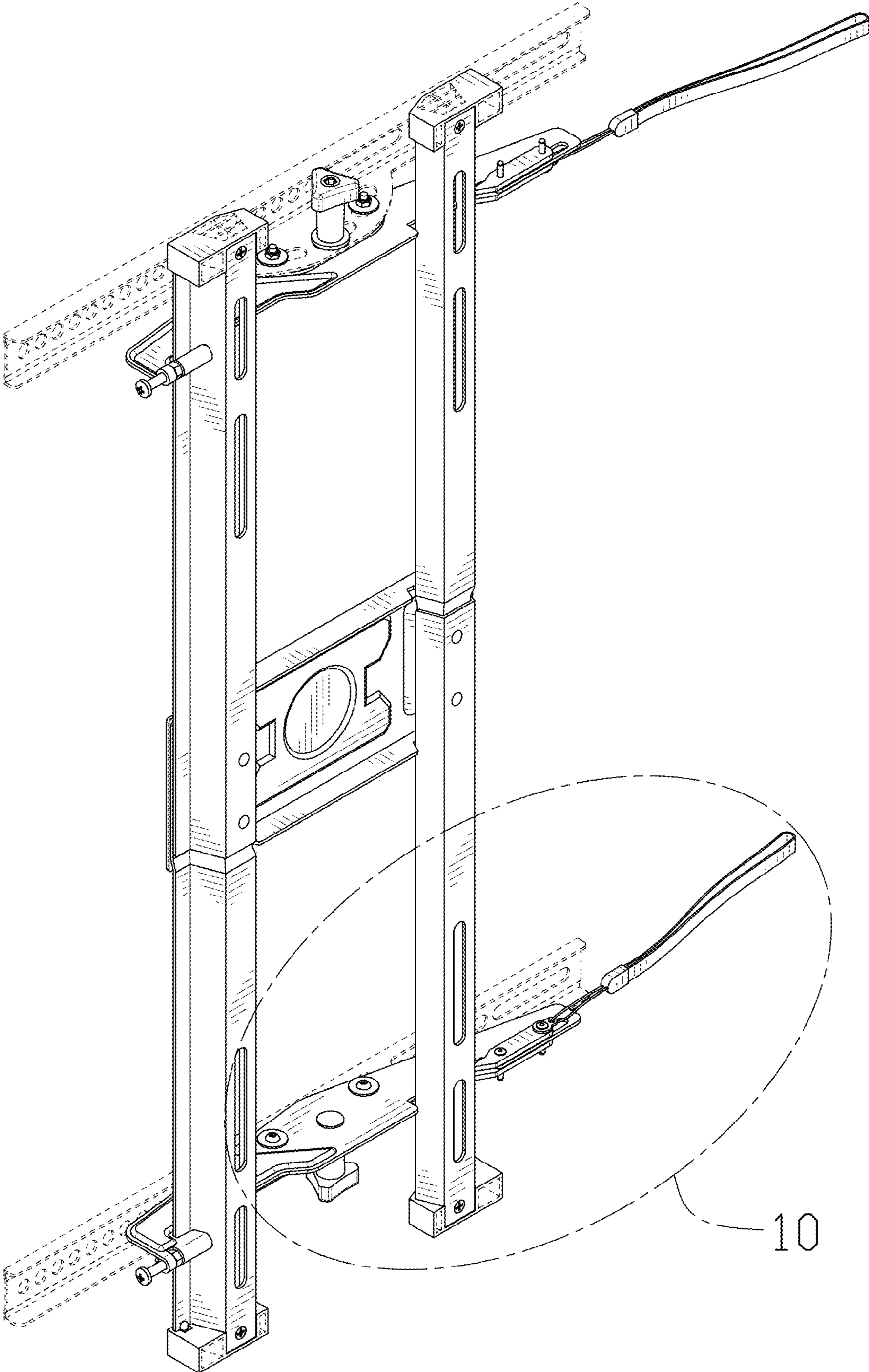


FIG. 2

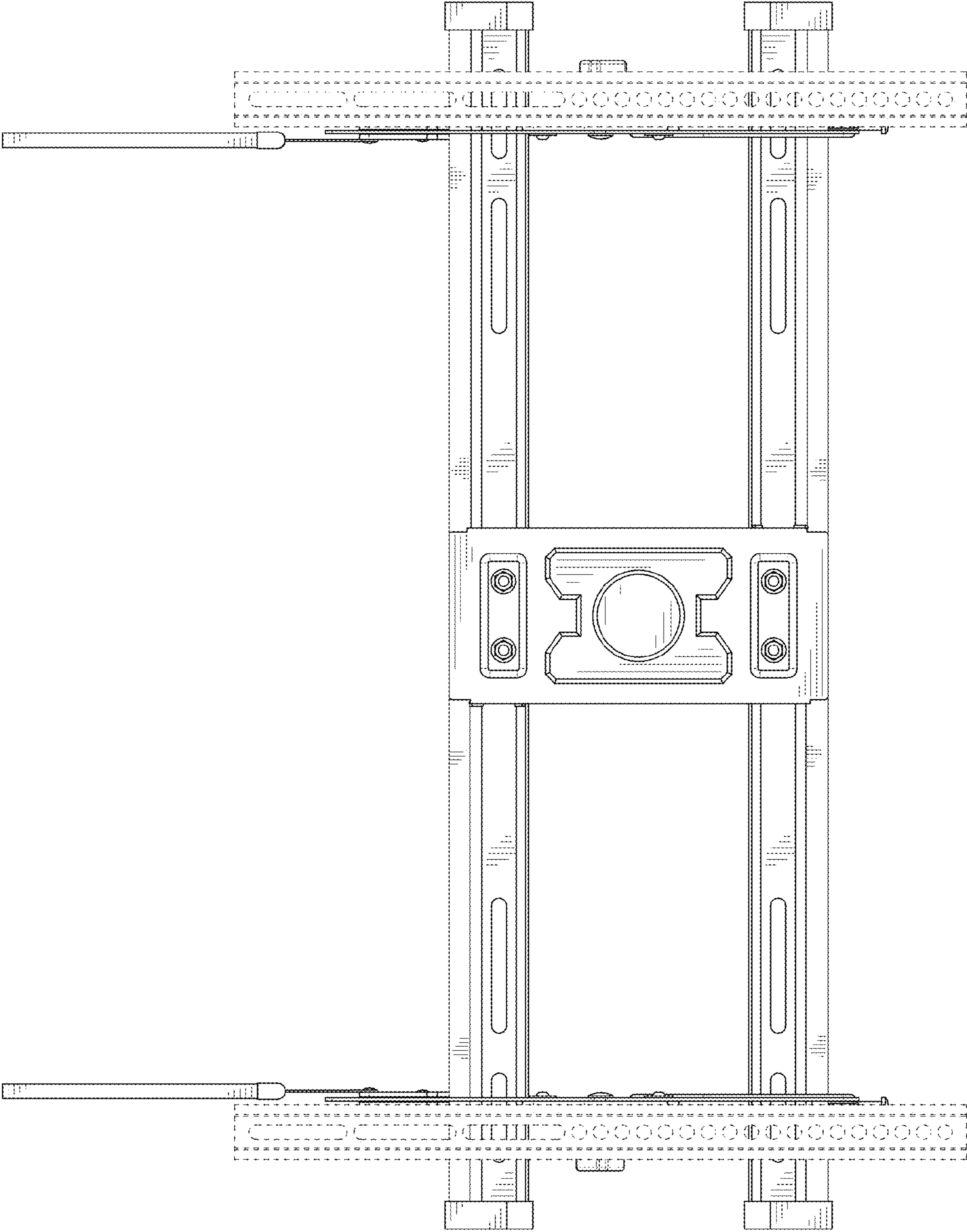


FIG. 3

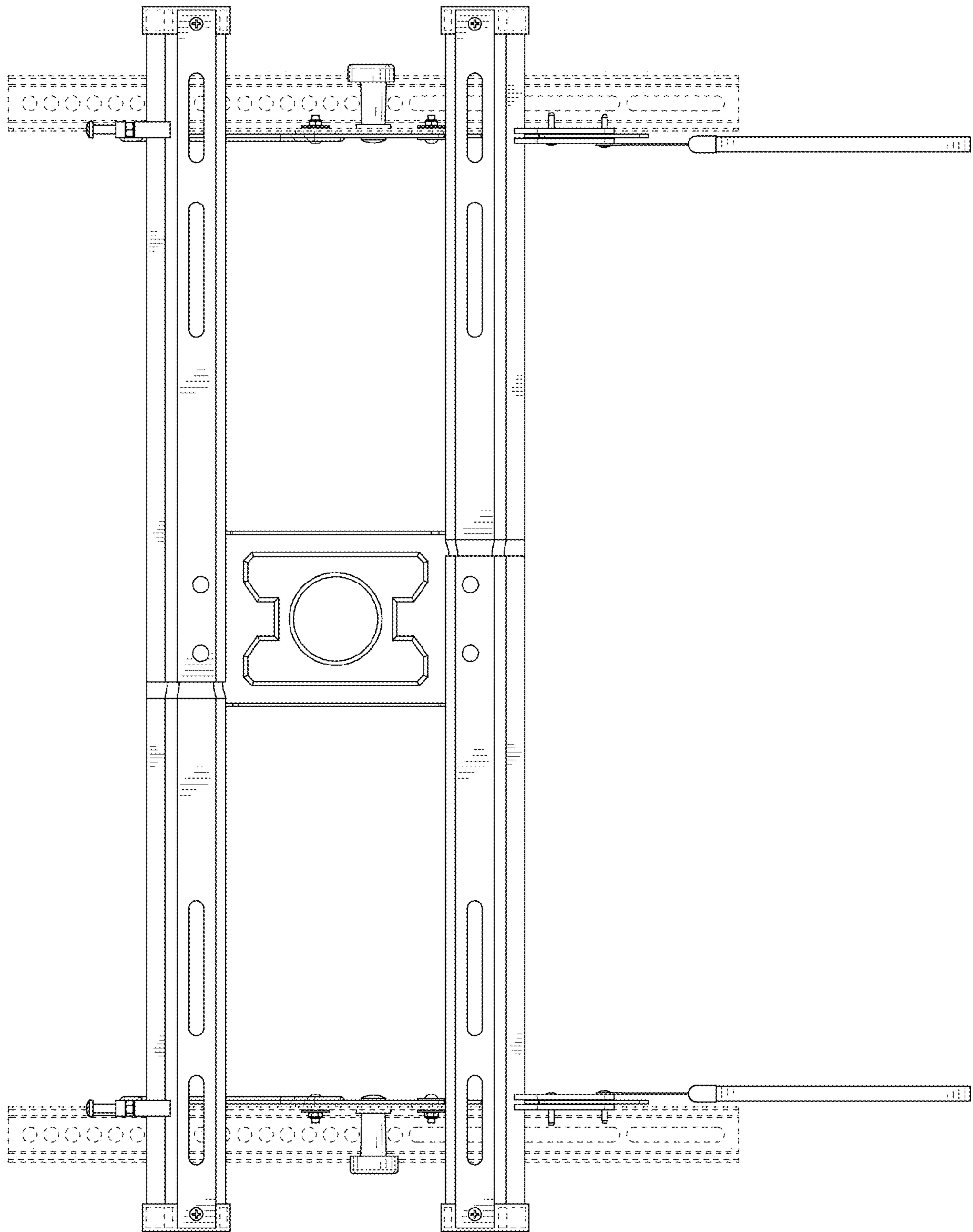


FIG. 4

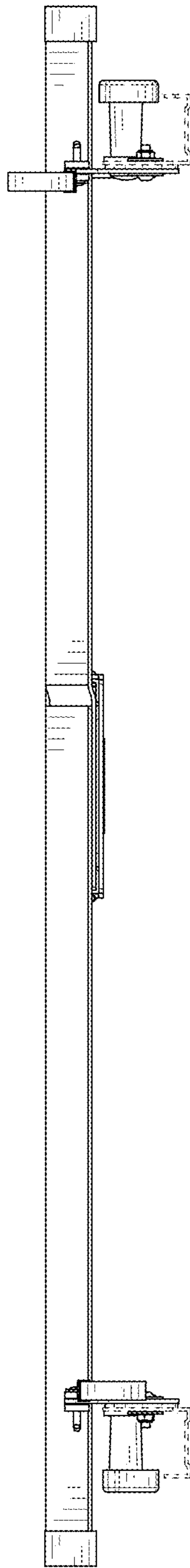


FIG. 5

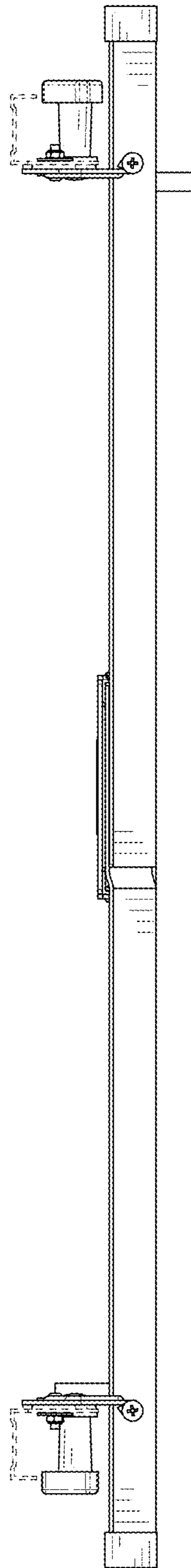


FIG. 6

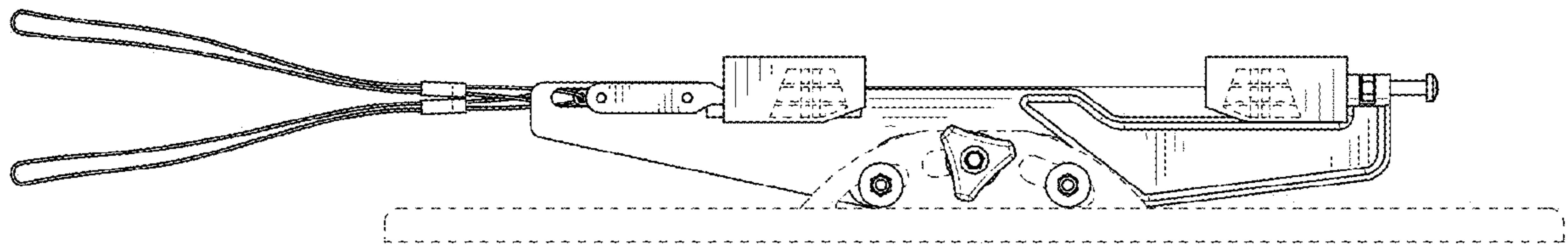


FIG. 7

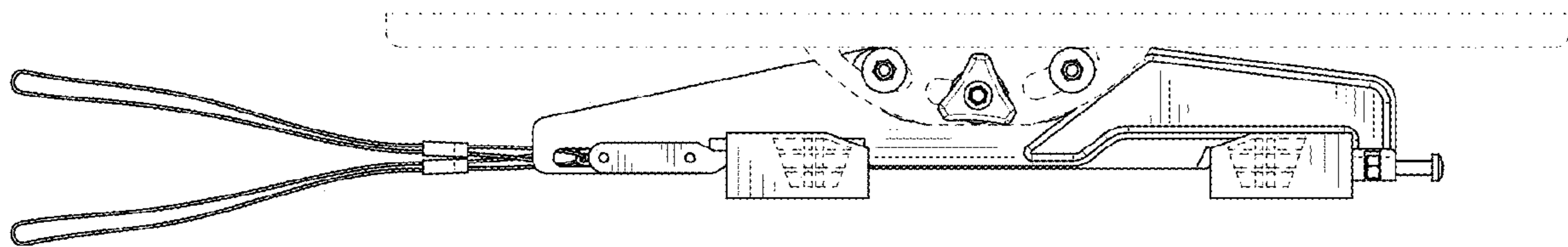


FIG. 8

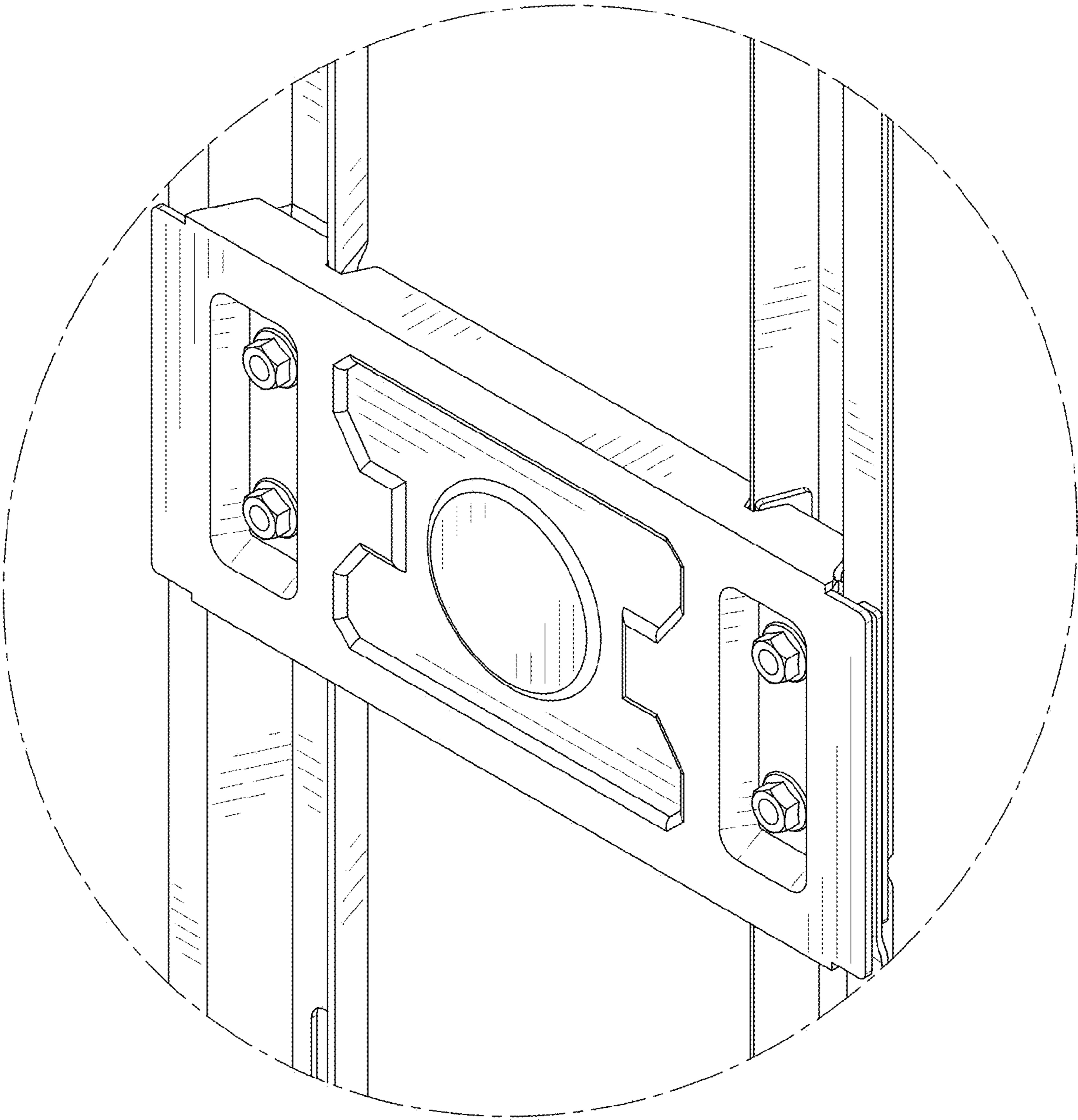


FIG. 9

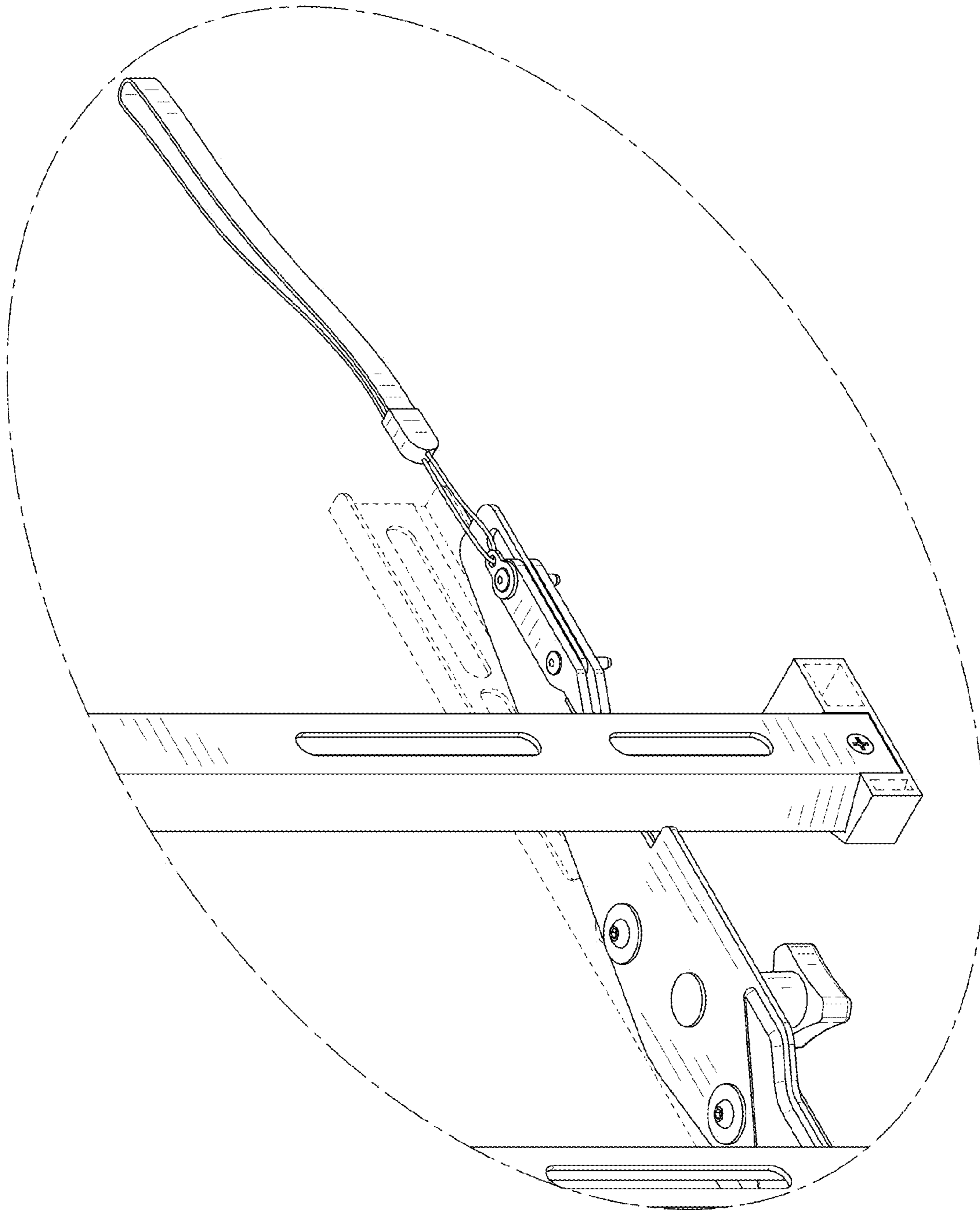


FIG. 10