



US00D918880S

(12) **United States Design Patent**  
**Shu**

(10) **Patent No.:** **US D918,880 S**

(45) **Date of Patent:** **\*\* May 11, 2021**

(54) **DISPLAY MOUNT**

(71) Applicant: **SHENZHEN MENGXIANGYUAN FITNESS DEVELOPMENT CO., LTD.**, Shenzhen (CN)

(72) Inventor: **Hua Shu**, Shenzhen (CN)

(73) Assignee: **SHENZHEN MENGXIANGYUAN FITNESS DEVELOPMENT CO., LTD.**, Shenzhen (CN)

(\*\*) Term: **15 Years**

(21) Appl. No.: **29/745,108**

(22) Filed: **Aug. 4, 2020**

(51) **LOC (13) Cl.** ..... **14-03**

(52) **U.S. Cl.**  
USPC ..... **D14/239**

(58) **Field of Classification Search**  
USPC ..... D14/239, 371, 372, 373, 374, 375, 376, D14/377, 447-452, 125, 127, 128, 129, D14/335-337, 341, 126; D8/355, 363, D8/373; D6/672, 682  
CPC ..... F16M 11/2085; F16M 11/2092; F16M 11/2007; F16M 11/2014; F16M 11/2021; F16M 11/105; F16M 11/048; F16M 11/12; F16M 13/022; F16M 11/10  
See application file for complete search history.

(56) **References Cited**

**U.S. PATENT DOCUMENTS**

D592,188 S *	5/2009	Huang	.....	D14/217
D602,514 S *	10/2009	Dittmer	.....	D16/235
D620,943 S *	8/2010	Grey	.....	D14/452
D635,130 S	3/2011	Skull et al.		
D640,707 S *	6/2011	Yeh	.....	D14/447
D660,306 S *	5/2012	Voorhees	.....	D14/447
D669,481 S *	10/2012	Prescott	.....	D14/447
D673,960 S *	1/2013	Lindfield	.....	D14/447

D684,979 S *	6/2013	Chun	.....	D14/447
D692,436 S *	10/2013	Hung	.....	D14/447
D700,593 S *	3/2014	Xiang	.....	D14/239
D704,195 S *	5/2014	Marquette	.....	D14/447
D753,126 S *	4/2016	Alesi	.....	D14/447
9,470,356 B1 *	10/2016	Zaloom	.....	A47B 23/04
D871,380 S	12/2019	Fehr		

(Continued)

**FOREIGN PATENT DOCUMENTS**

CN	303329891	*	8/2015	
DE	102005002838 A1	*	8/2006	..... F16M 11/12

(Continued)

**OTHER PUBLICATIONS**

Sanus Simplicity. Link: [https://simplicity.sanus.com/en\\_US/products/mounts/smf218/?bvstate=pg:2/ct:r](https://simplicity.sanus.com/en_US/products/mounts/smf218/?bvstate=pg:2/ct:r). Visited Mar. 22, 2021. Sanus Simplicity SMF218 Full-Motion TV Wall Mount. (Year: 2021).\*

(Continued)

*Primary Examiner* — Lauren D McVey

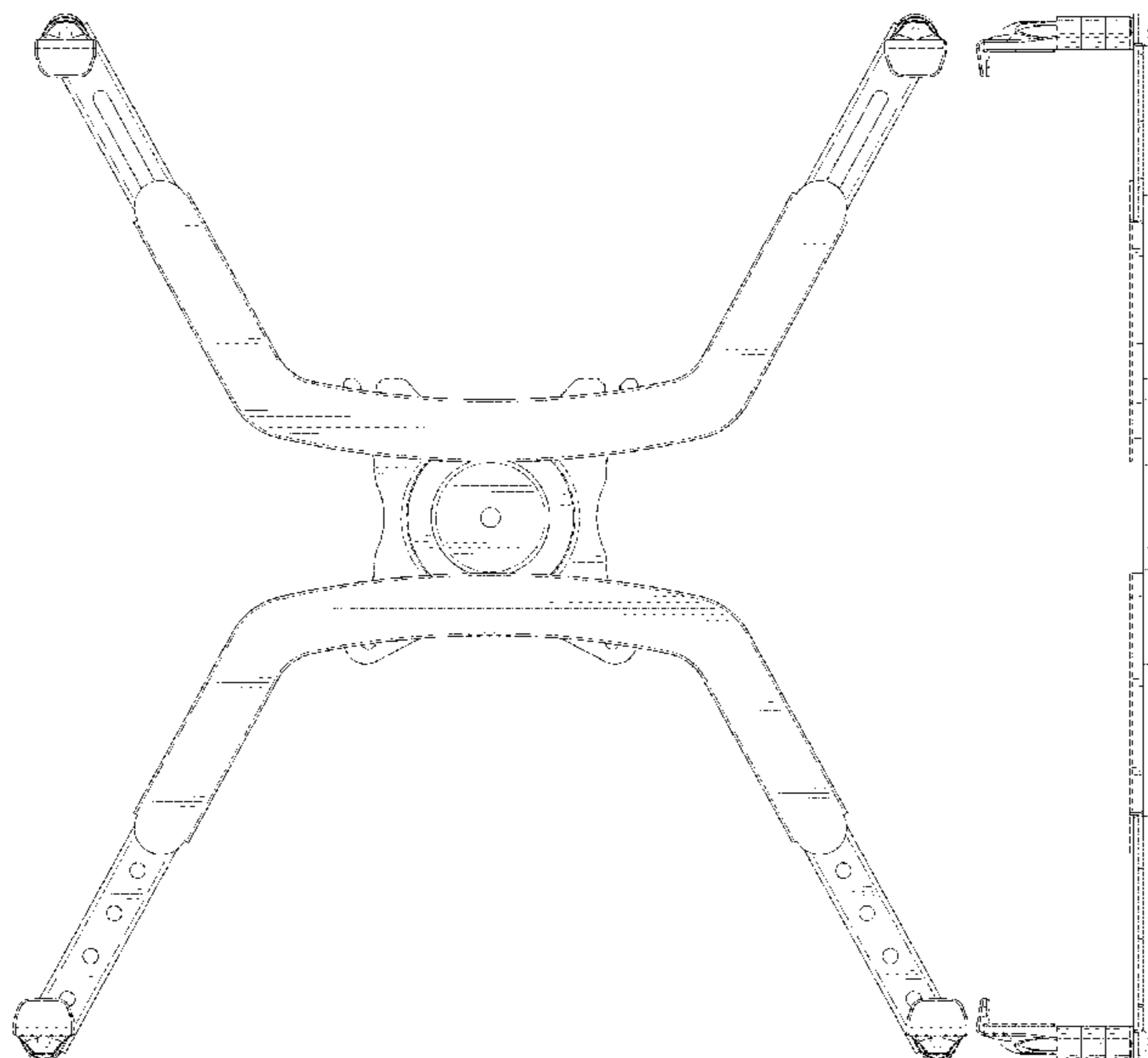
(57) **CLAIM**

The ornamental design for a display mount, as shown and described.

**DESCRIPTION**

FIG. 1 is a perspective view of a display mount showing my new design;  
FIG. 2 is another perspective view thereof;  
FIG. 3 is a front elevational view thereof;  
FIG. 4 is a rear elevational view thereof;  
FIG. 5 is a left side elevational view thereof;  
FIG. 6 is a right side elevational view thereof;  
FIG. 7 is a top plan view thereof; and,  
FIG. 8 is a bottom plan view thereof.  
The broken lines in the drawings depict portions of the display mount that form no part of the claimed design.

**1 Claim, 8 Drawing Sheets**



(56)

**References Cited**

U.S. PATENT DOCUMENTS

2005/0161575 A1\* 7/2005 Friederich ..... F16M 11/043  
248/519  
2013/0105644 A1\* 5/2013 Yu ..... F16M 13/022  
248/125.7  
2018/0177299 A1\* 6/2018 Pei ..... F16M 13/02  
2020/0378415 A1\* 12/2020 Dammermann ..... F16M 11/08

FOREIGN PATENT DOCUMENTS

WO WO-2012051527 A1\* 4/2012 ..... F16M 13/00  
WO WO-2013162963 A1\* 10/2013 ..... F16M 11/14

OTHER PUBLICATIONS

Amazon. Link: [https://www.amazon.com/dp/B07TC77LS2/ref=cm\\_sw\\_em\\_r\\_mt\\_dp\\_F0G5JR45VBGBJTWXD4SS](https://www.amazon.com/dp/B07TC77LS2/ref=cm_sw_em_r_mt_dp_F0G5JR45VBGBJTWXD4SS). Jul. 1, 2019. Sanus Premium Full Motion TV Wall Mount. (Year: 2019).\*

Amazon. Link: [https://www.amazon.com/dp/B08BGCVXH6/ref=cm\\_sw\\_em\\_r\\_mt\\_dp\\_2ERF10Q34WXXKD82SZDC9?\\_encoding=UTF8&psc=1](https://www.amazon.com/dp/B08BGCVXH6/ref=cm_sw_em_r_mt_dp_2ERF10Q34WXXKD82SZDC9?_encoding=UTF8&psc=1). Jun. 18, 2020. HumanCentric Universal VESA Adapter. (Year: 2020).\*

Amazon. Link: [https://www.amazon.com/dp/B00RTS5WWM/ref=cm\\_sw\\_em\\_r\\_mt\\_dp\\_8T0ZPNWHC8ETF1X65E69](https://www.amazon.com/dp/B00RTS5WWM/ref=cm_sw_em_r_mt_dp_8T0ZPNWHC8ETF1X65E69). Jan. 5, 2015. VIVO Adapter VESA Mount Kit. (Year: 2015).\*

\* cited by examiner

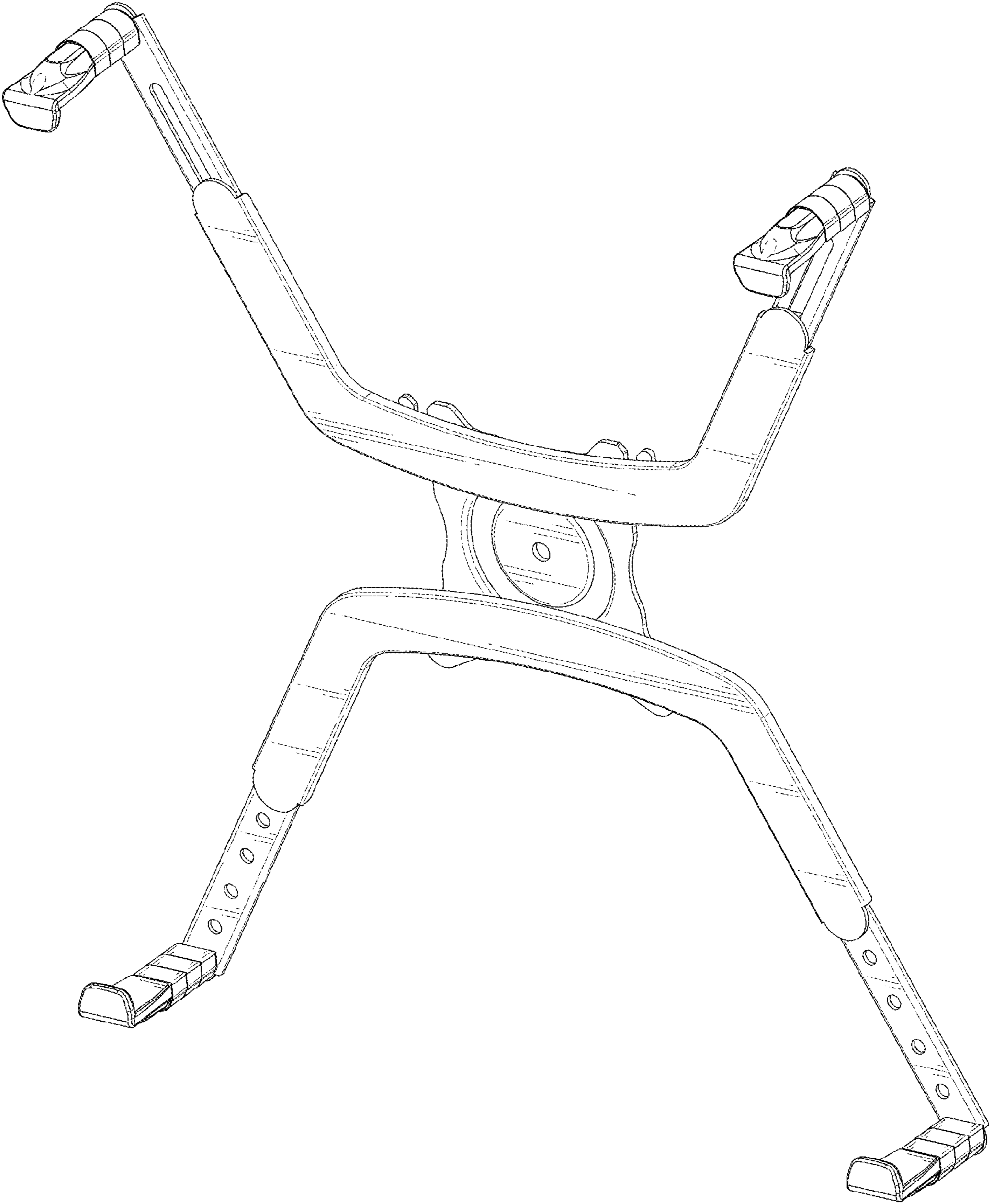


FIG. 1

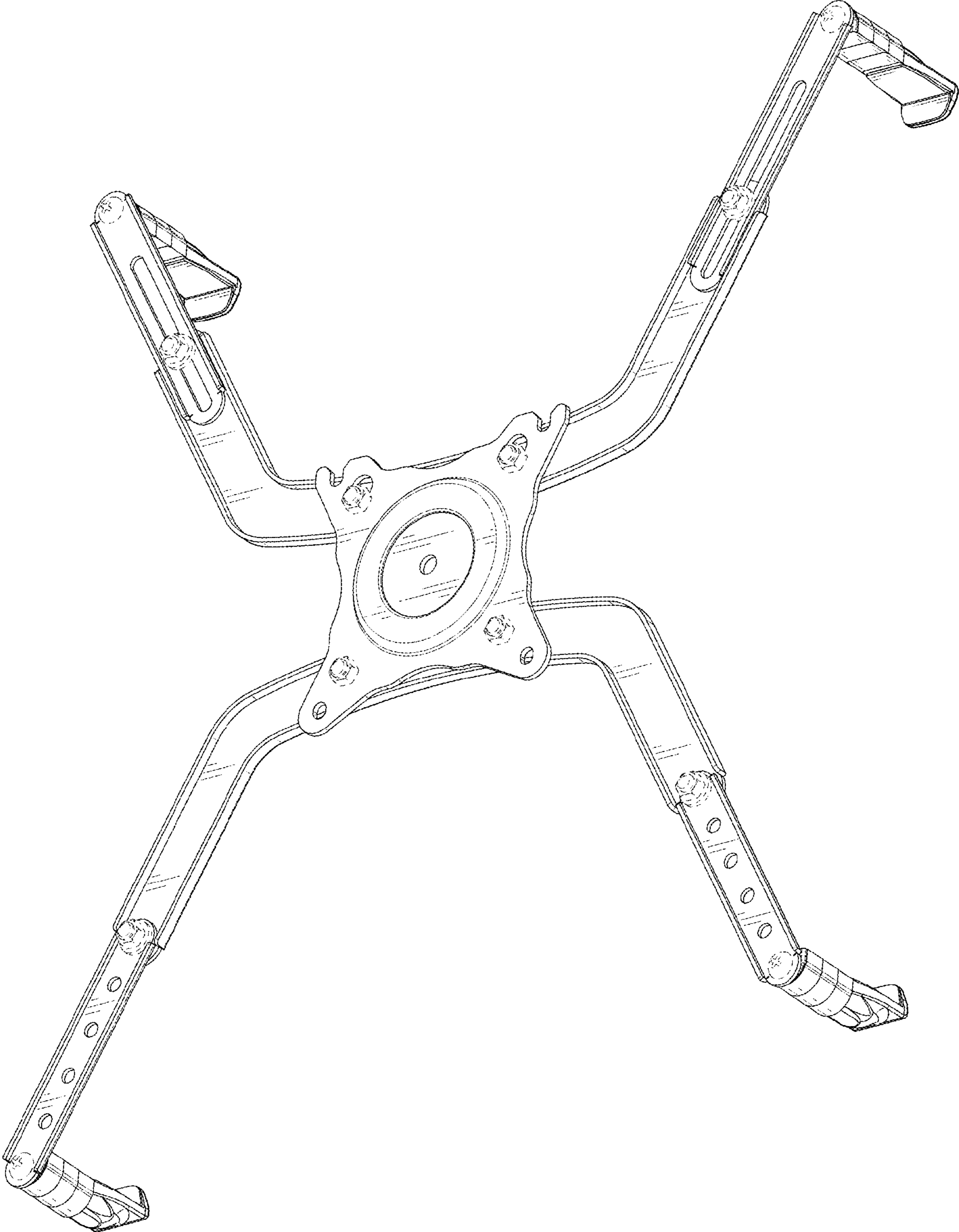


FIG. 2

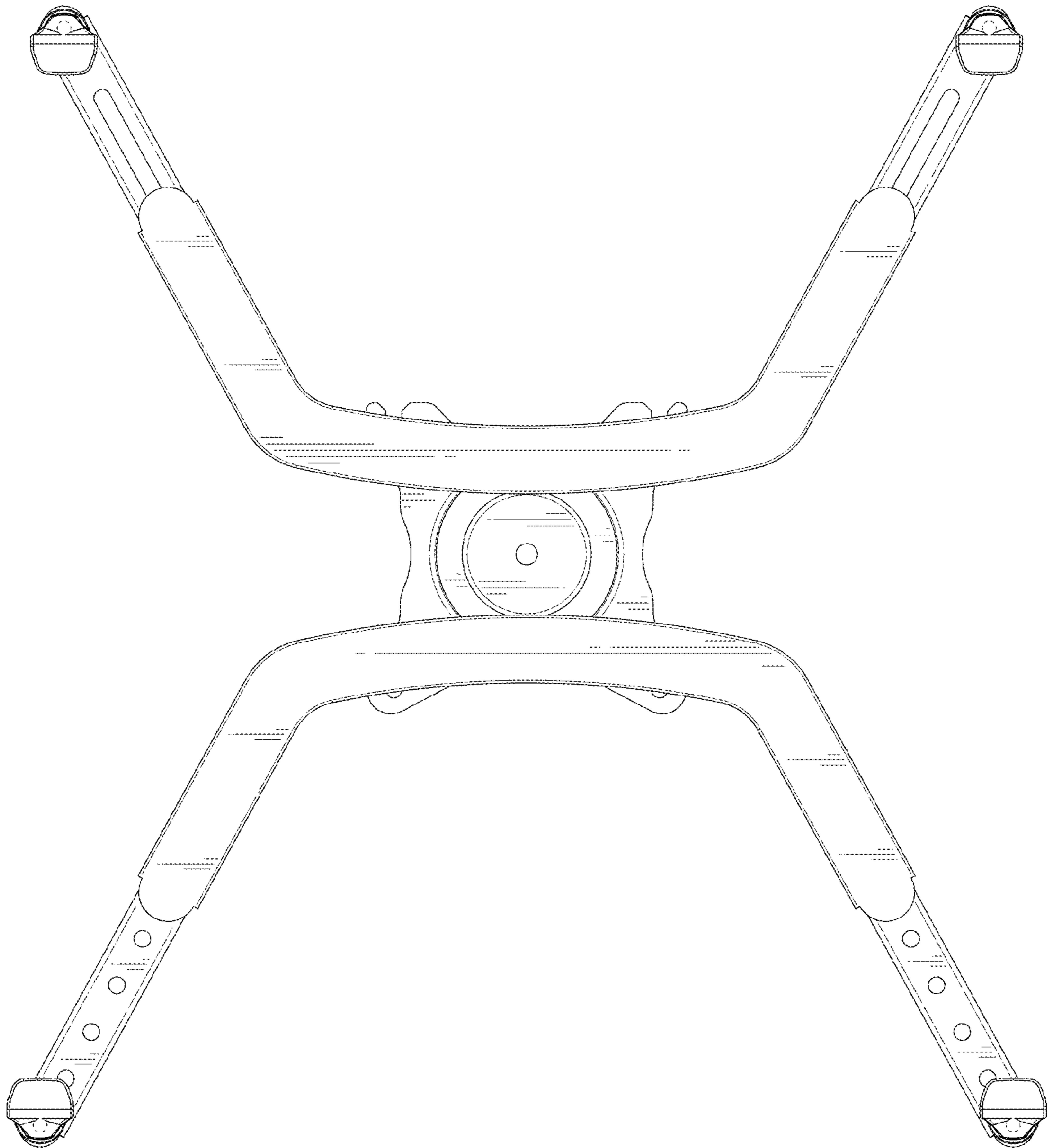


FIG. 3

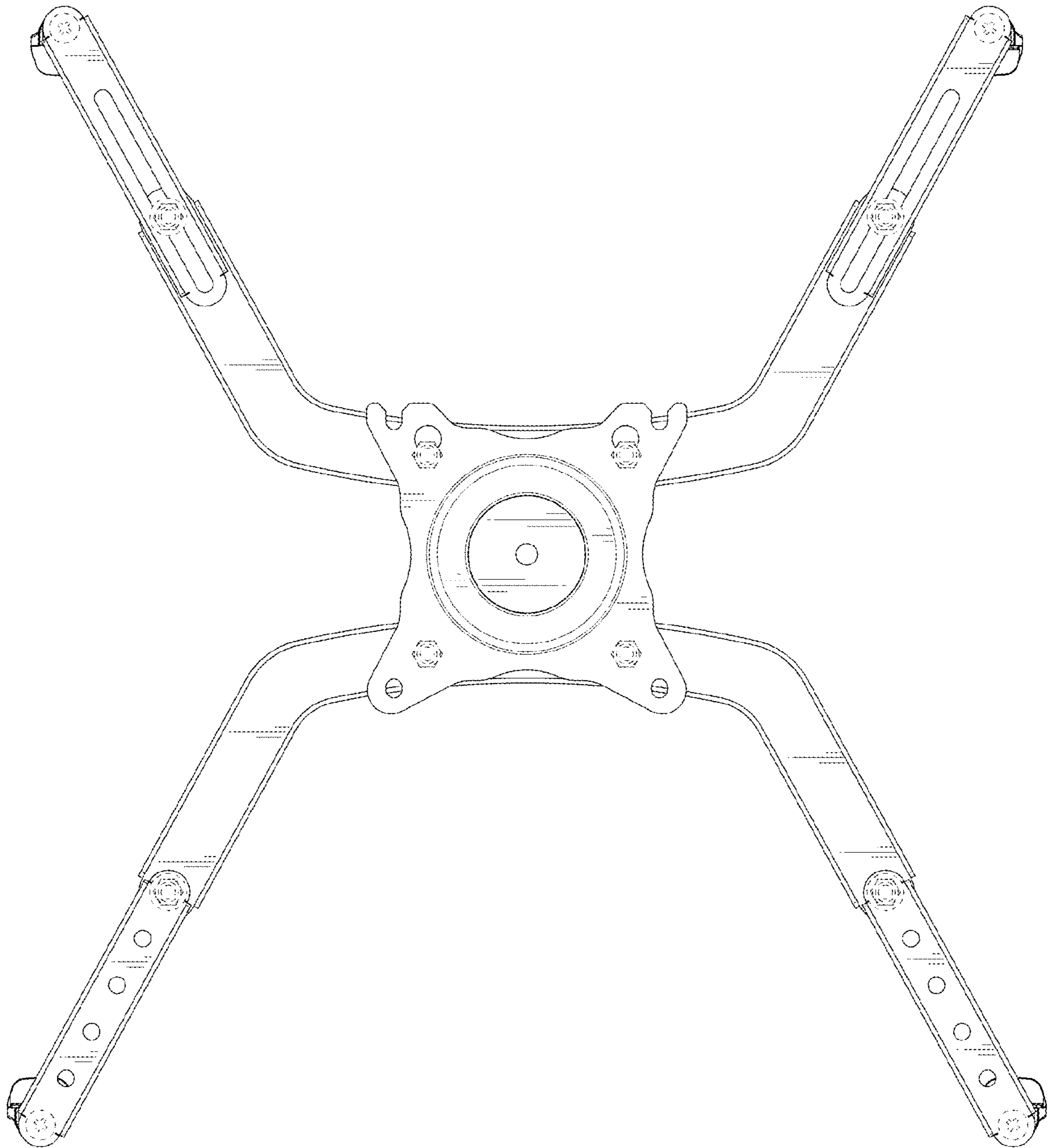


FIG. 4

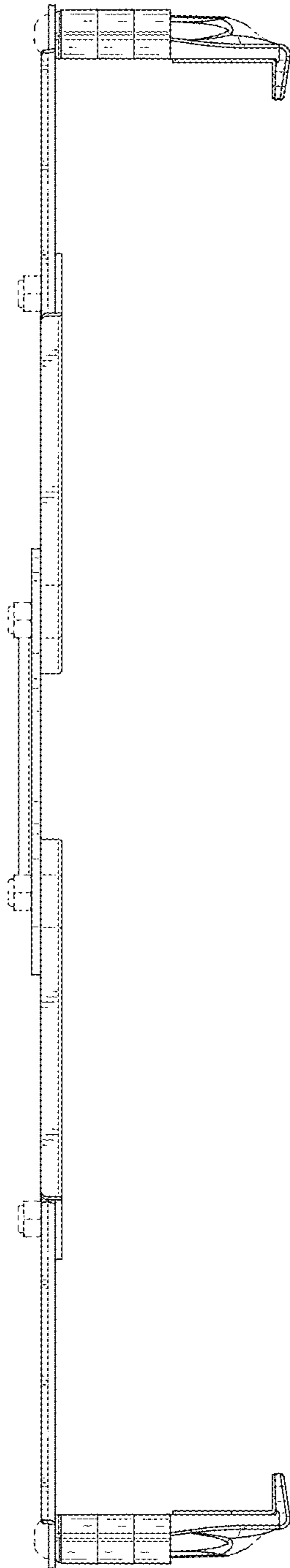


FIG. 5

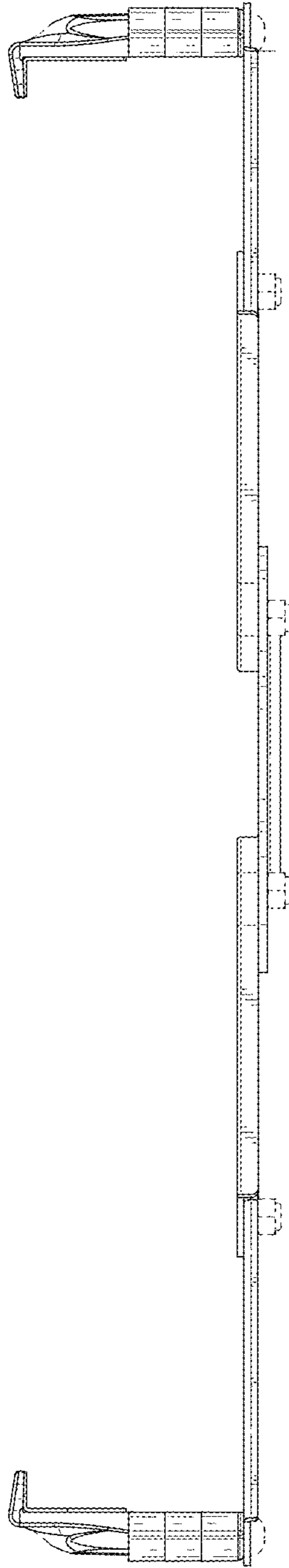


FIG. 6



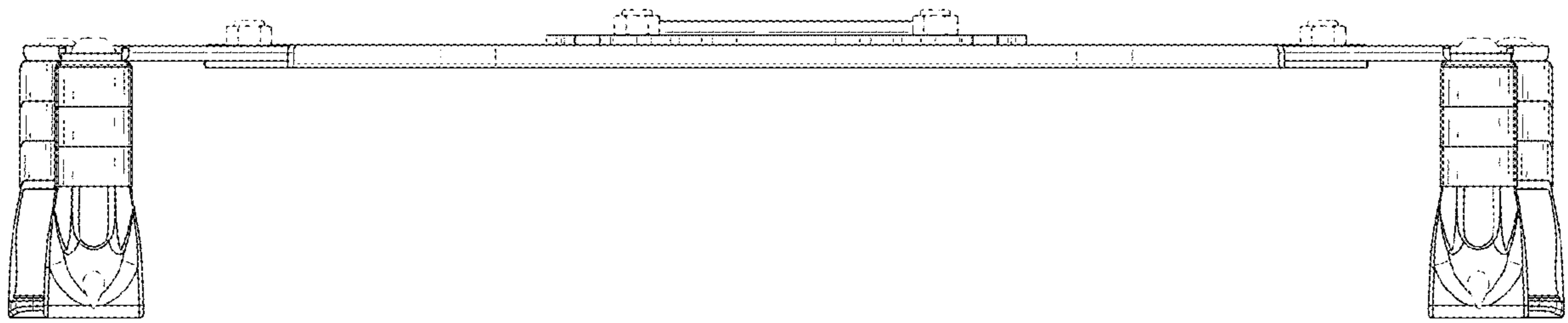


FIG. 7

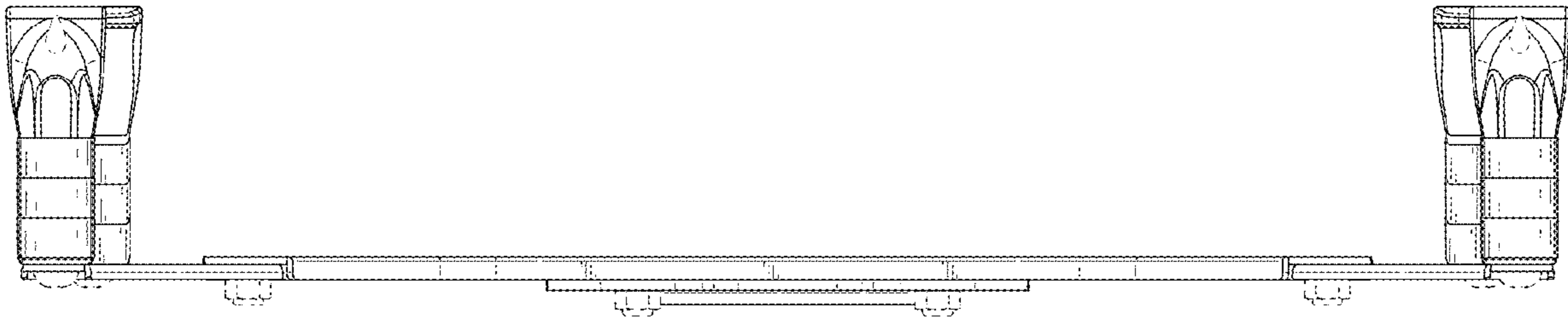


FIG. 8