



US00D918876S

(12) **United States Design Patent**  
**Mai**

(10) **Patent No.:** **US D918,876 S**

(45) **Date of Patent:** **\*\* May 11, 2021**

- (54) **MICROPHONE**
- (71) Applicant: **SHENZHEN XUNWEIJIA TECHNOLOGY DEVELOPMENT CO., LTD**, Shenzhen (CN)
- (72) Inventor: **Qibin Mai**, Shenzhen (CN)
- (73) Assignee: **SHENZHEN XUNWEIJIA TECHNOLOGY DEVELOPMENT CO., SHENZHEN**, Shenzhen (CN)
- (\*\*) Term: **15 Years**
- (21) Appl. No.: **29/735,250**
- (22) Filed: **May 19, 2020**
- (51) **LOC (13) Cl.** ..... **14-01**
- (52) **U.S. Cl.**  
USPC ..... **D14/227**
- (58) **Field of Classification Search**  
USPC ..... D14/227, 225, 226, 228, 229, 211;  
D21/483; D26/63; D16/244; D6/681;  
381/363, 355, 361; 248/291.1; 362/371  
CPC . H04R 19/04; H04R 9/06; H04R 5/02; H04R  
9/08; H04R 1/08; H04R 1/02; H04R  
25/00; A47B 85/00  
See application file for complete search history.

- 3,086,107 A \* 4/1963 Grover ..... F21V 21/30  
362/371
- 3,383,476 A \* 5/1968 Morgan ..... H04R 1/222  
381/357
- 3,505,515 A \* 4/1970 Adra ..... F21V 21/30  
362/371
- 3,532,225 A \* 10/1970 Reed ..... A47B 13/02  
211/181.1
- 3,573,401 A \* 4/1971 Lininger ..... H04R 1/08  
381/363
- D222,072 S \* 9/1971 Millburn ..... D14/211
- D233,669 S \* 11/1974 Plice ..... D14/228
- 4,480,809 A \* 11/1984 Healey ..... F16M 11/10  
248/185.1

(Continued)

**FOREIGN PATENT DOCUMENTS**

- CN 305031870 \* 2/2019
- CN 306026430 \* 9/2020

*Primary Examiner* — Paula Allen Greene

(74) *Attorney, Agent, or Firm* — Law Offices of Steven W. Weinrieb

(57) **CLAIM**

The ornamental design for a microphone, as shown and described.

**DESCRIPTION**

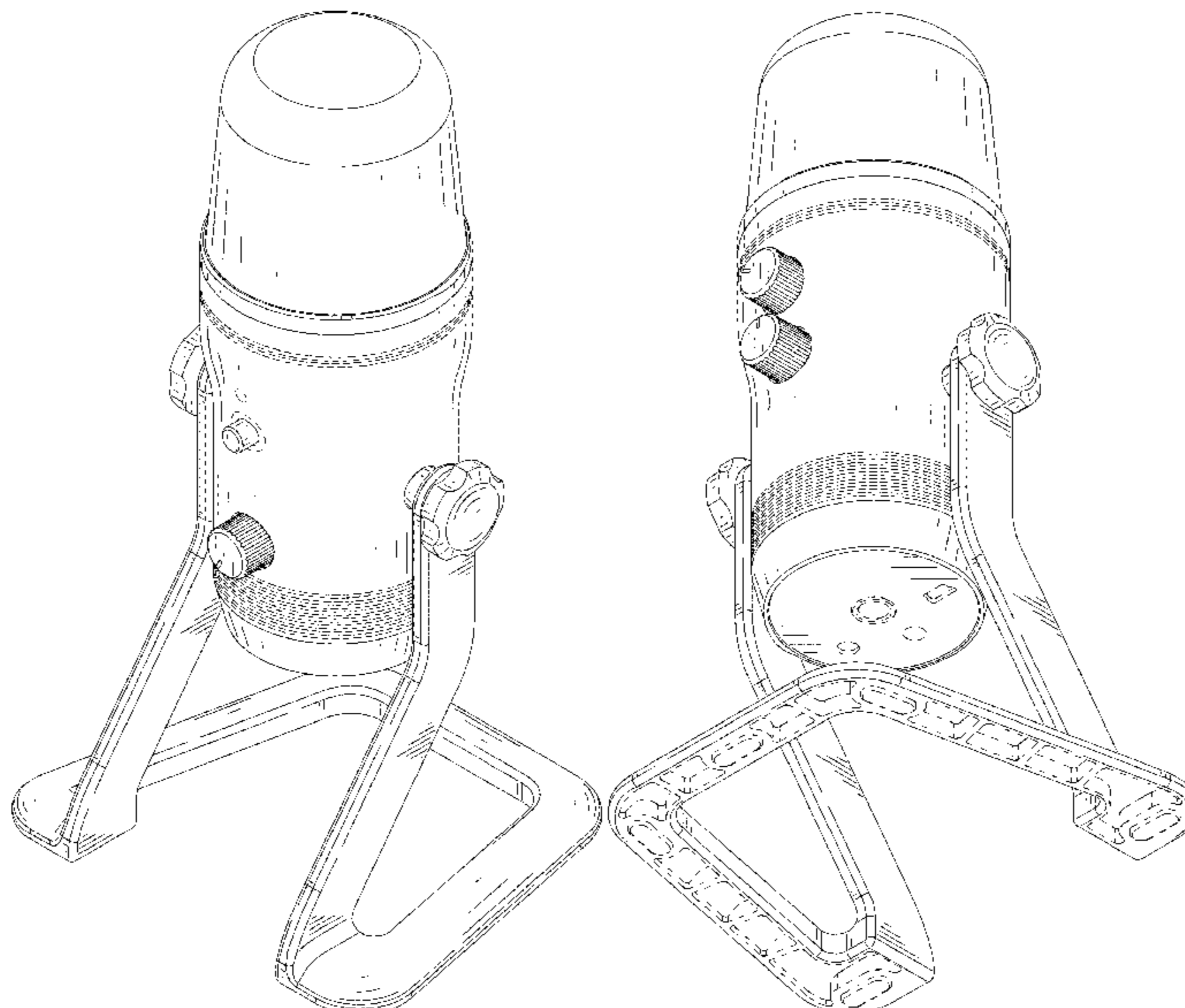
FIG. 1 is a front, right side, top perspective view of a microphone showing my new design;  
 FIG. 2 is a rear, left side, bottom perspective view thereof;  
 FIG. 3 is a front elevational view thereof;  
 FIG. 4 is a rear elevational view thereof;  
 FIG. 5 is a left side elevational view thereof;  
 FIG. 6 is a right side elevational view thereof;  
 FIG. 7 is a top plan view thereof; and,  
 FIG. 8 is a bottom plan view thereof.  
 The broken lines depict portions of the microphone that form no part of the claimed design.

**1 Claim, 8 Drawing Sheets**

(56) **References Cited**

**U.S. PATENT DOCUMENTS**

- 1,893,799 A \* 1/1933 Harrington ..... B01L 9/00  
248/188.7
- 2,131,593 A \* 9/1938 Marshall ..... H04R 1/083  
181/148
- D171,055 S \* 12/1953 Schell ..... D14/225
- D176,069 S \* 11/1955 Kamp ..... D14/229
- D179,540 S \* 1/1957 Knechtsberger ..... D14/227
- D181,416 S \* 11/1957 Hewitt ..... D23/370
- 3,054,588 A \* 9/1962 Ondrasik ..... D06F 79/02  
248/117.2



(56)

References Cited

U.S. PATENT DOCUMENTS

4,501,201 A \* 2/1985 Fitzner ..... F16M 11/041  
108/150  
D302,819 S \* 8/1989 Kubota ..... D14/228  
4,964,606 A \* 10/1990 Beam ..... F16M 11/14  
248/188.5  
4,979,759 A \* 12/1990 Solovay ..... B62H 3/10  
211/17  
5,048,789 A \* 9/1991 Eason ..... H04R 1/08  
248/544  
D326,969 S \* 6/1992 Eason ..... D14/224  
D345,958 S \* 4/1994 Keller ..... D13/108  
5,621,846 A \* 4/1997 Smith ..... F24C 7/065  
248/324  
5,664,750 A \* 9/1997 Cohen ..... F16M 11/041  
248/229.15  
D400,540 S \* 11/1998 Cruver, IV ..... D14/228  
6,219,429 B1 \* 4/2001 Chung ..... H04R 1/08  
248/324  
D441,354 S \* 5/2001 Jing ..... D14/228  
D446,495 S \* 8/2001 Kolpin ..... D12/406  
D447,131 S \* 8/2001 Hough ..... D14/228  
D448,364 S \* 9/2001 Chung ..... D14/228  
D457,876 S \* 5/2002 Chung ..... D14/228  
D464,041 S \* 10/2002 Ming-Cheng ..... D14/227  
D505,670 S \* 5/2005 Hoehn ..... D14/211  
D529,484 S \* 10/2006 Probst ..... D14/228  
D535,645 S \* 1/2007 Probst ..... D14/225  
D563,396 S 3/2008 Probst et al.

7,412,069 B2 \* 8/2008 Workman ..... H04R 1/08  
381/363  
D594,856 S \* 6/2009 Marshall ..... D14/228  
D604,274 S \* 11/2009 Durrett ..... D14/228  
D629,549 S \* 12/2010 Feigenbaum ..... D26/63  
D634,737 S \* 3/2011 Lippert ..... D14/229  
D645,184 S \* 9/2011 Zhan ..... D26/63  
D654,595 S \* 2/2012 Farrell ..... D24/181  
D704,168 S \* 5/2014 Godfrey ..... D14/225  
D737,253 S \* 8/2015 Henricksen ..... D14/228  
D758,997 S 6/2016 Miller et al.  
D760,204 S \* 6/2016 Wise ..... D14/227  
D766,303 S \* 9/2016 Anzures ..... D14/486  
D826,908 S 8/2018 Stillerman et al.  
D834,004 S 11/2018 Chen  
D834,564 S 11/2018 Chen  
D835,612 S \* 12/2018 Tong ..... D14/225  
D836,090 S \* 12/2018 Li ..... D14/227  
D842,278 S \* 3/2019 Tong ..... D14/227  
D842,846 S \* 3/2019 Mai ..... D14/225  
D848,404 S \* 5/2019 Chen ..... D14/227  
D849,721 S \* 5/2019 Chen ..... D14/227  
D850,423 S \* 6/2019 Chen ..... D14/227  
D851,073 S \* 6/2019 Tong ..... D14/227  
D890,141 S \* 7/2020 Chen ..... D14/228  
D890,732 S \* 7/2020 Chen ..... D14/227  
D899,407 S \* 10/2020 Mai ..... D14/227  
2002/0159253 A1 \* 10/2002 Dalebout ..... F21L 4/005  
362/191  
2008/0152174 A1 \* 6/2008 Marshall ..... H04R 19/04  
381/172

\* cited by examiner

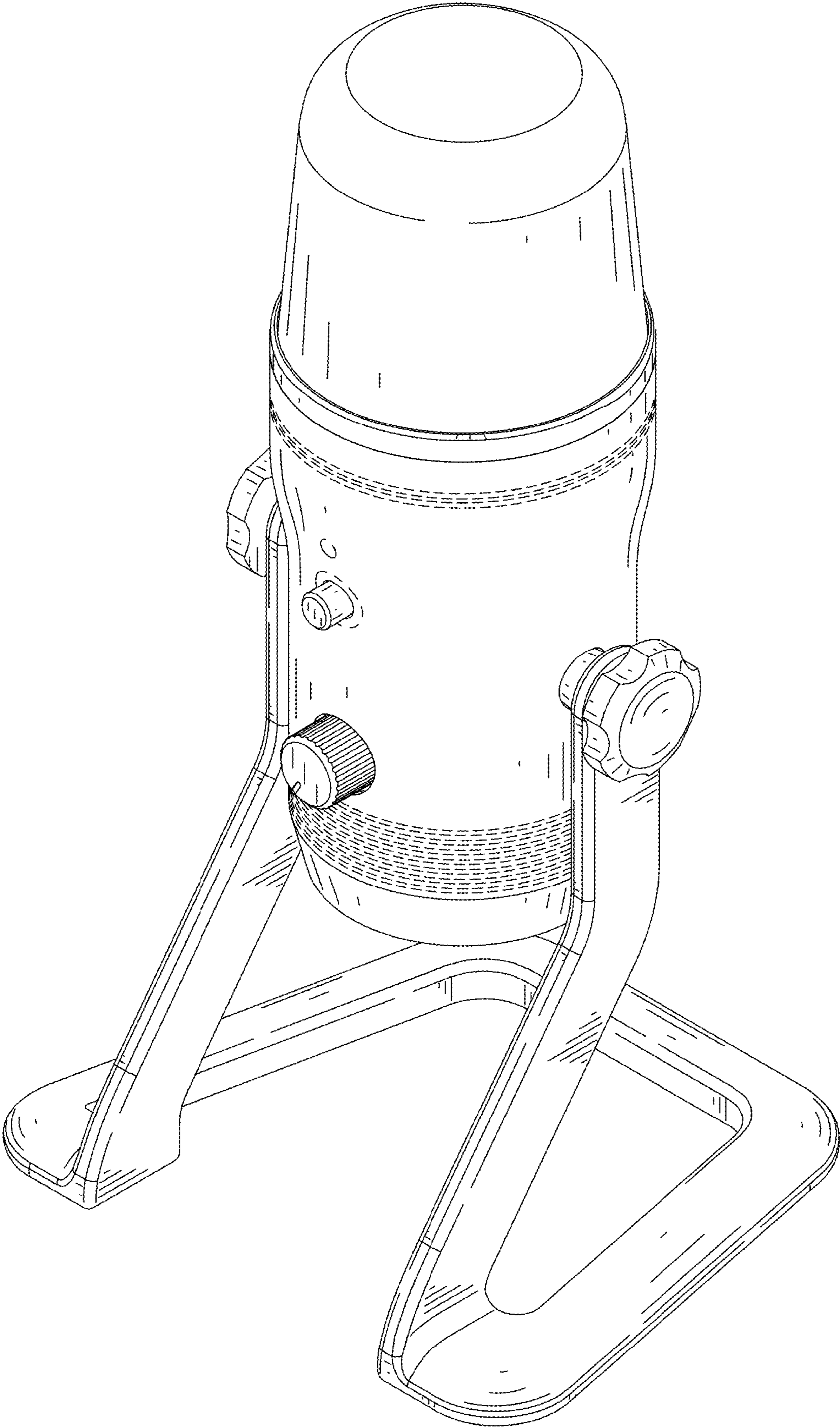


FIG. 1

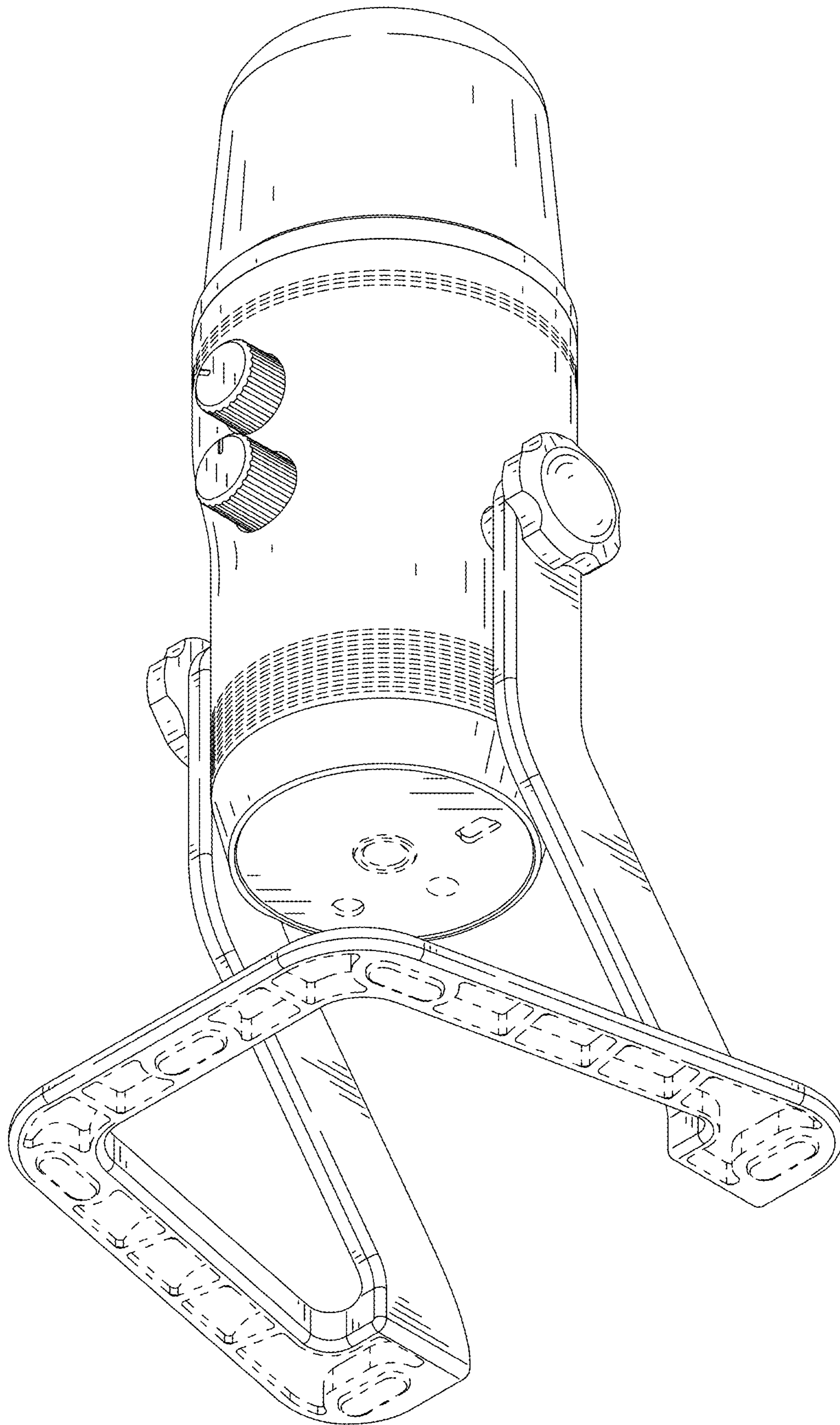


FIG. 2

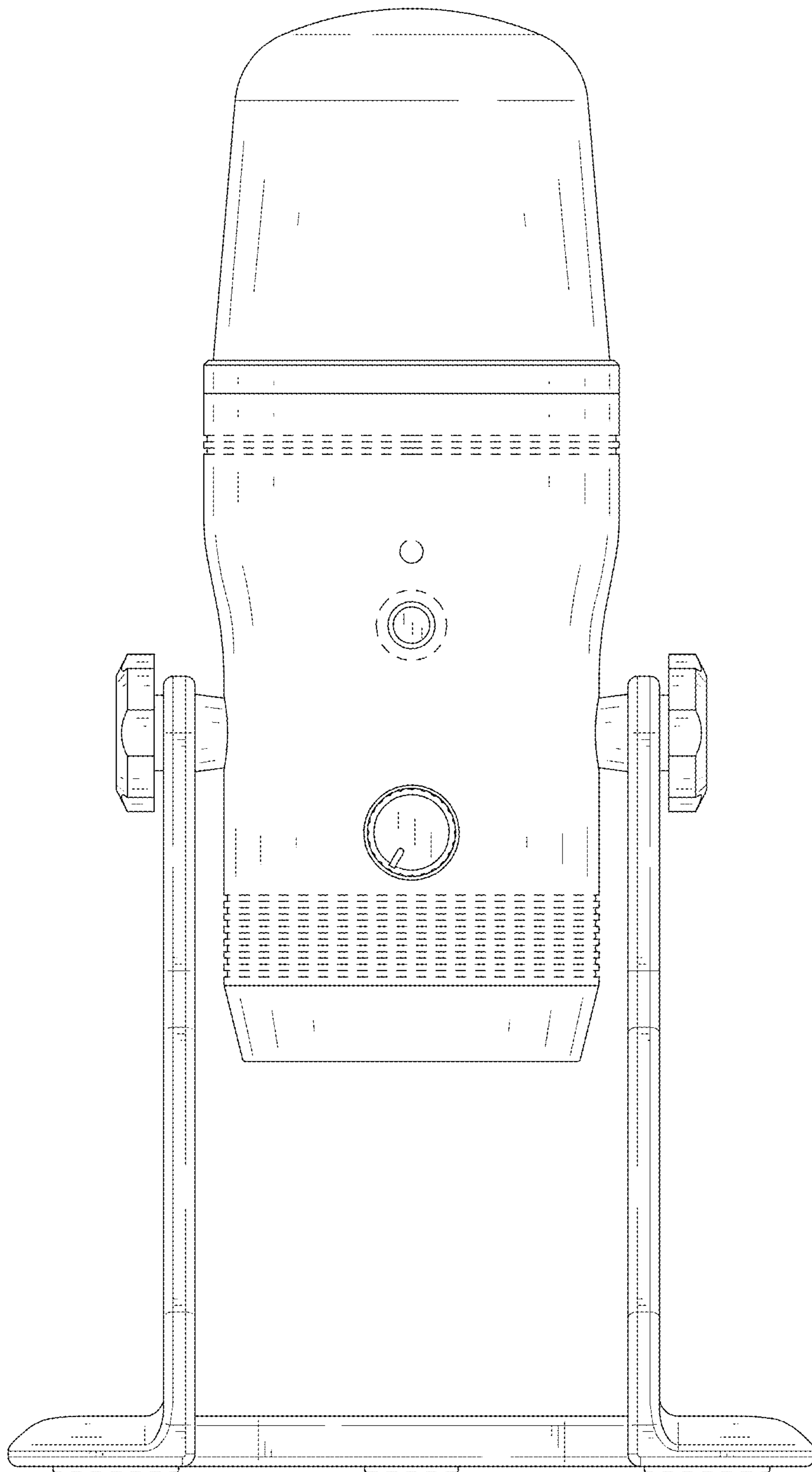


FIG. 3

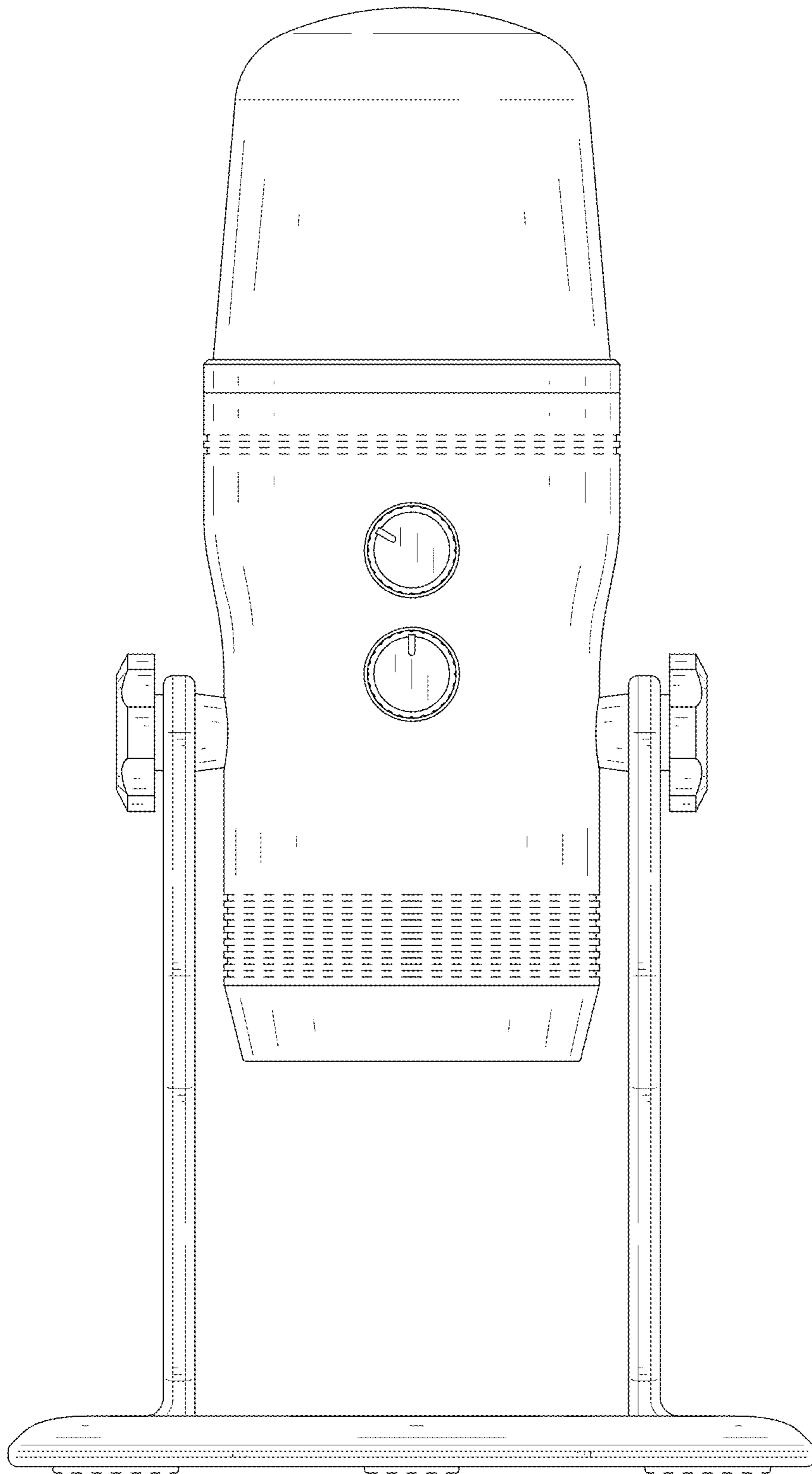


FIG. 4

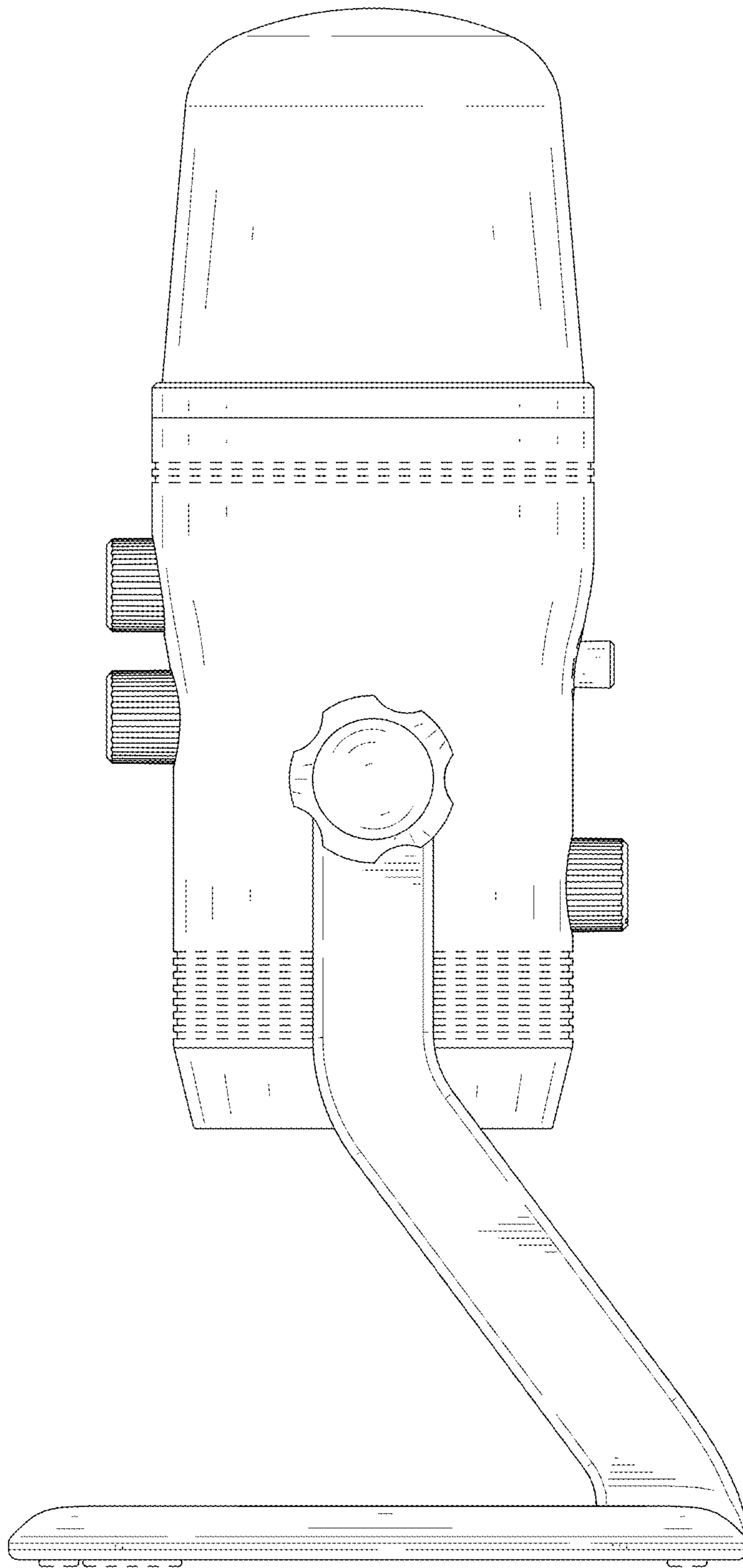


FIG. 5

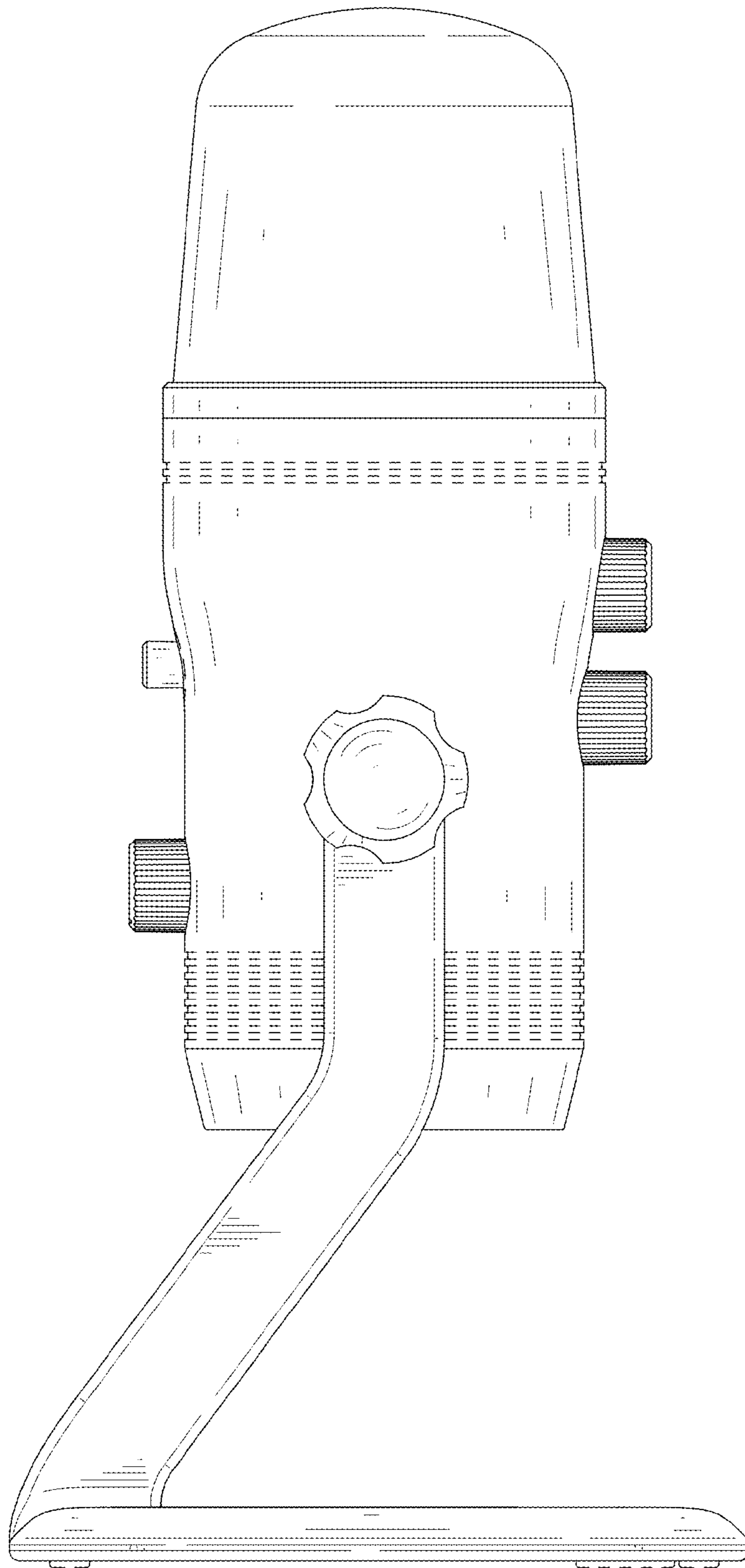


FIG. 6



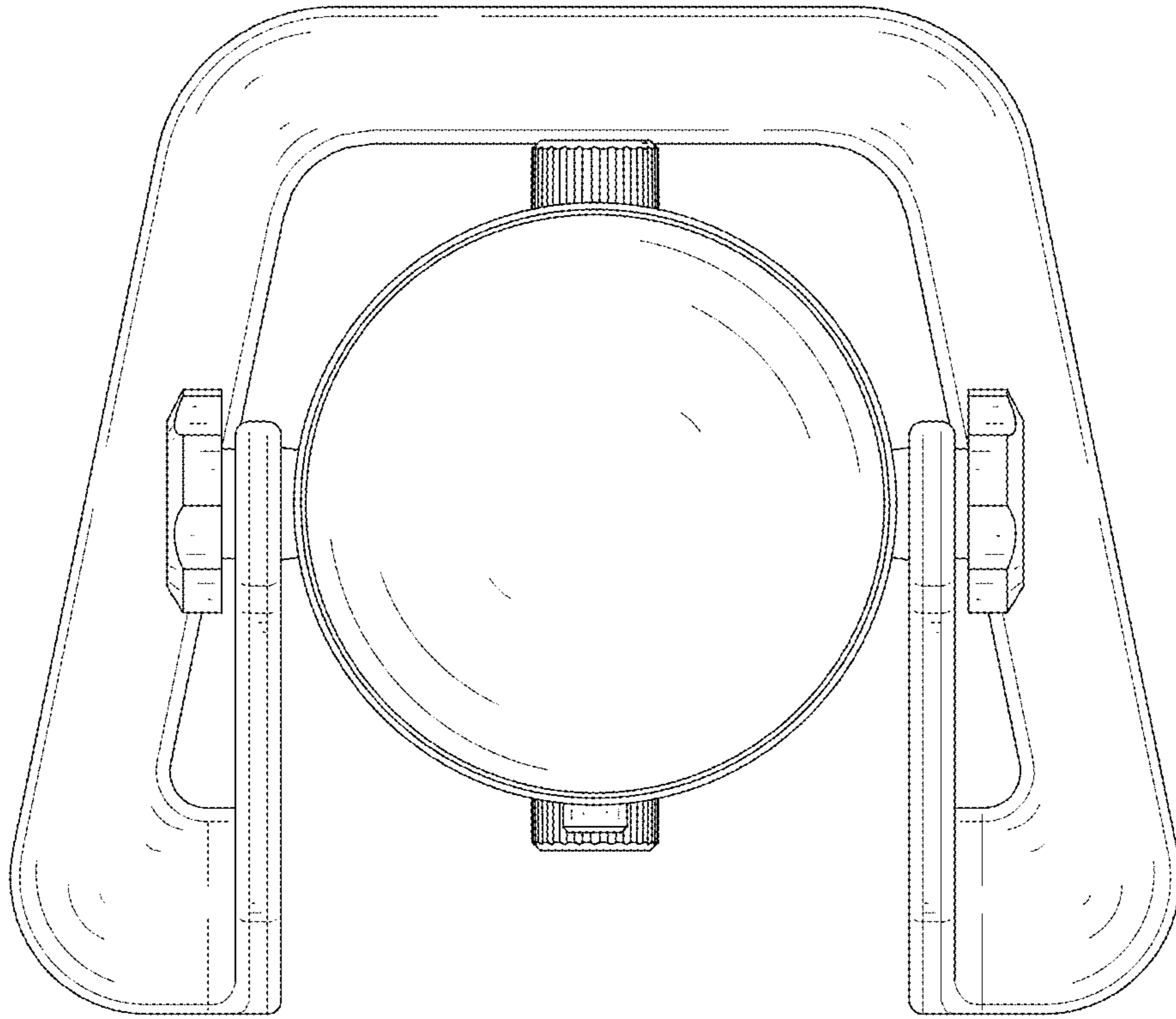


FIG. 7

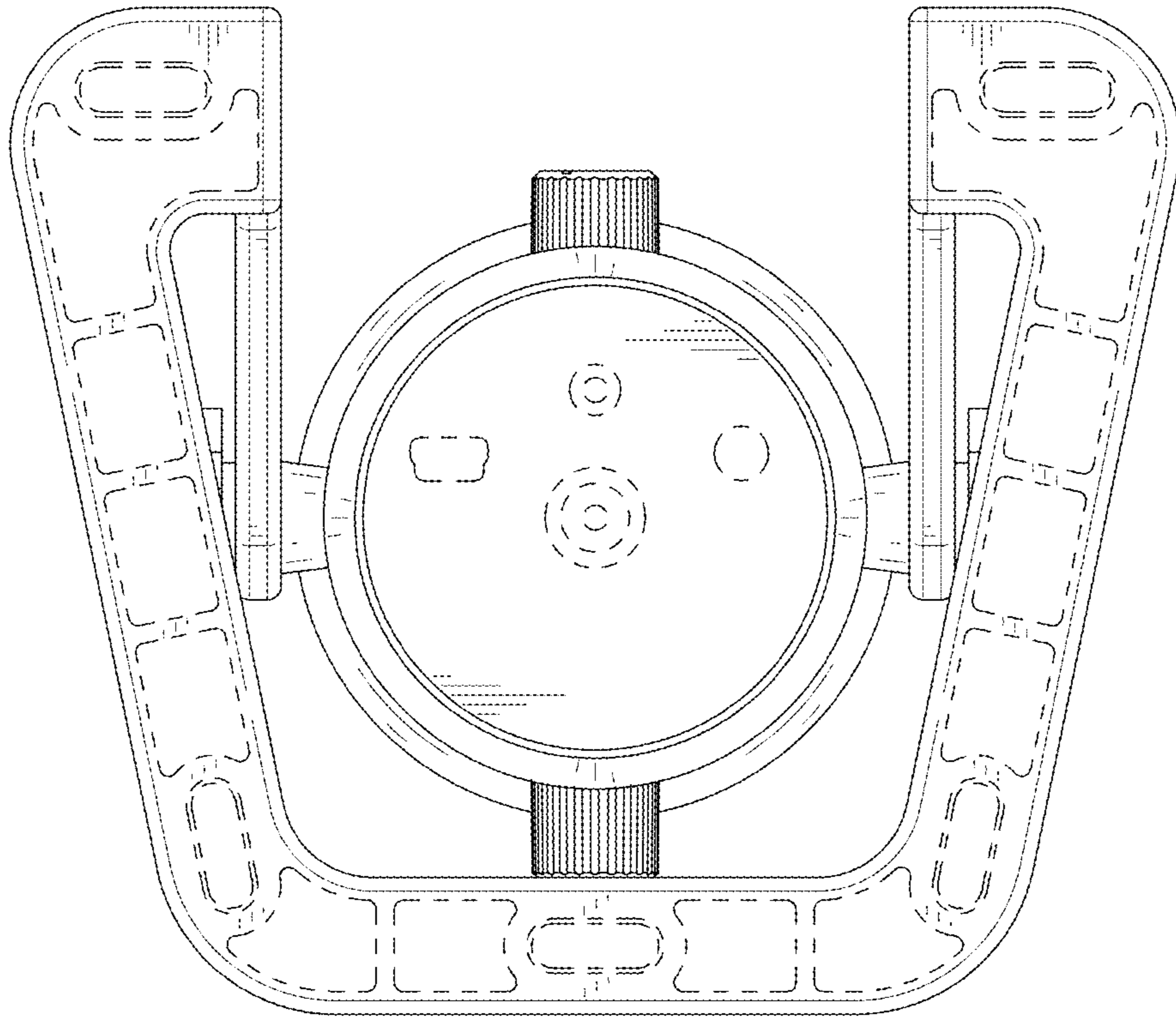


FIG. 8