



US00D918874S

(12) **United States Design Patent** (10) **Patent No.:** **US D918,874 S**
Sugiura et al. (45) **Date of Patent:** **** May 11, 2021**

(54) **EARPHONE**

D895,579 S * 9/2020 Yang D14/223
D895,582 S * 9/2020 Wu D14/223
D896,206 S * 9/2020 Xu D14/223

(71) Applicant: **YAMAHA CORPORATION**,
Hamamatsu (JP)

(Continued)

(72) Inventors: **Yoshihisa Sugiura**, Buena Park, CA
(US); **Shino Sakamoto**, Hamamatsu
(JP)

FOREIGN PATENT DOCUMENTS

JP D2019-25020 * 11/2019

(73) Assignee: **YAMAHA CORPORATION**,
Hamamatsu (JP)

OTHER PUBLICATIONS

EP-E30A, no announcement date [online], retrieved Jan. 27, 2021,
retrieved from internet, [https://usa.yamaha.com/products/audio_](https://usa.yamaha.com/products/audio_visual/headphones/ep-e30a/index.html)
[visual/headphones/ep-e30a/index.html](https://usa.yamaha.com/products/audio_visual/headphones/ep-e30a/index.html).*

(**) Term: **15 Years**

(Continued)

(21) Appl. No.: **29/707,336**

Primary Examiner — Dana K Weiland
Assistant Examiner — Messina L Smith

(22) Filed: **Sep. 27, 2019**

(74) *Attorney, Agent, or Firm* — Sughrue Mion, PLLC

(51) **LOC (13) Cl.** **14-01**

(52) **U.S. Cl.**
USPC **D14/223**

(58) **Field of Classification Search**
USPC ... D14/205, 207, 217, 221, 223, 224, 224.1,
D14/225; D24/173, 174
CPC H04R 1/10; H04R 1/1016; H04R 1/1066;
H04R 1/105; H04R 1/1033; H04R 1/08;
H04R 5/033; H04R 5/0335; H04R 25/00
See application file for complete search history.

(57) **CLAIM**

The ornamental design for an earphone, as shown and
described.

DESCRIPTION

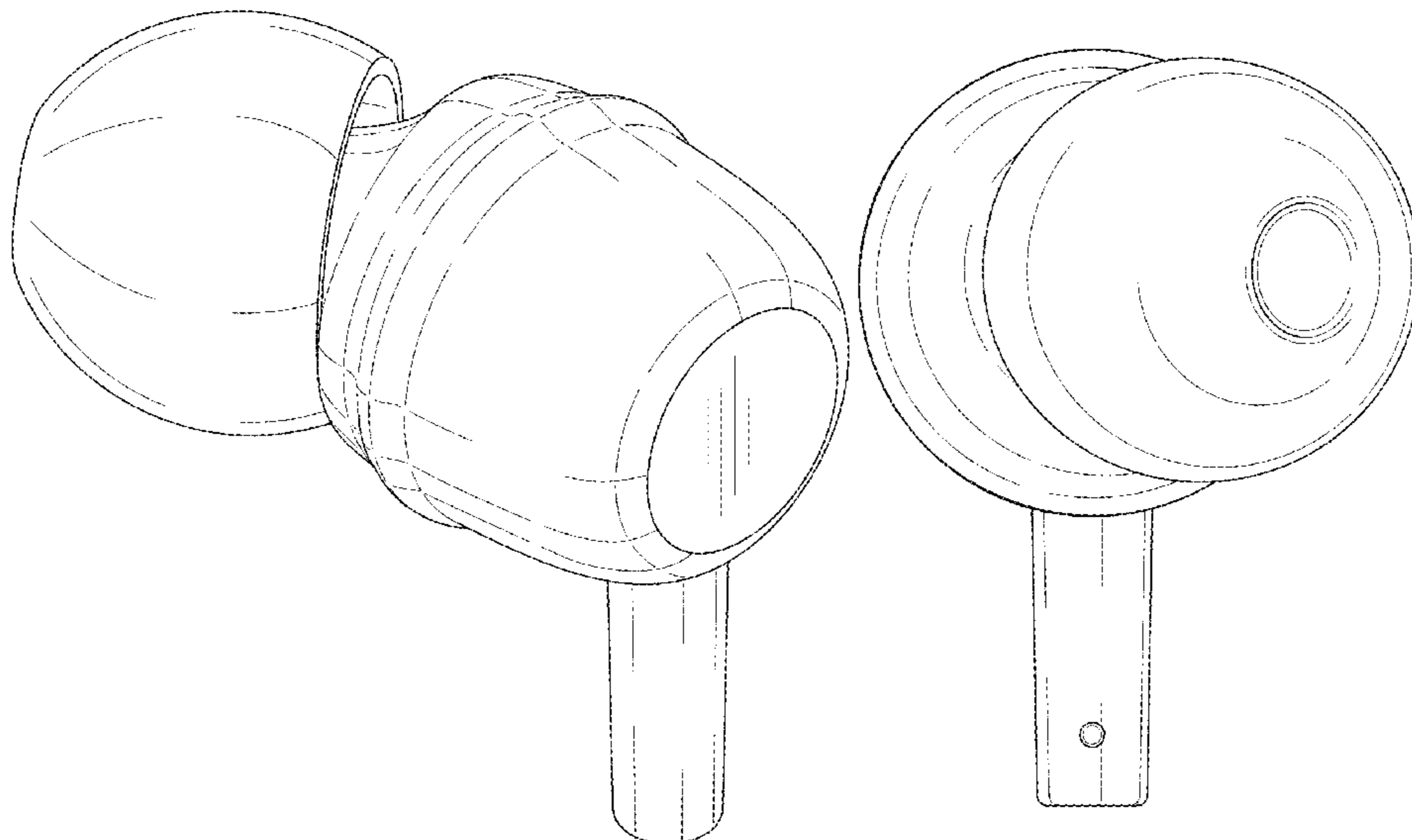
FIG. 1 is a perspective view of the front, top and left side of
an earphone according to a first embodiment showing our
new design;
FIG. 2 is a front view thereof;
FIG. 3 is a rear view thereof;
FIG. 4 is a left side view thereof;
FIG. 5 is a right side view thereof;
FIG. 6 is a top view thereof;
FIG. 7 is a bottom view thereof; and,
FIG. 8 is a perspective view of the earphone shown in an
environment of use.
The broken lines are included for the purpose of illustrating
portions of the earphone and form no part of the claimed
design. The broken line showing of a second earphone, cord,
and controllers in FIG. 8 depicts environment and forms no
part of the claimed design.

(56) **References Cited**

U.S. PATENT DOCUMENTS

D815,069 S * 4/2018 Xiong D14/223
D829,193 S * 9/2018 Cai D14/223
D848,983 S * 5/2019 Kim D14/223
D877,722 S * 3/2020 Yang D14/223
D882,553 S * 4/2020 Wu D14/223
D883,260 S * 5/2020 Hu D14/223
D887,396 S * 6/2020 Wang D14/223
D888,690 S * 6/2020 Yan D14/223
D888,692 S * 6/2020 Cheng D14/223
D890,724 S * 7/2020 Li D14/223
D893,462 S * 8/2020 Liu D14/223
D894,875 S * 9/2020 Zhao D14/223

1 Claim, 8 Drawing Sheets



(56)

References Cited

U.S. PATENT DOCUMENTS

D896,207	S	*	9/2020	He	D14/223
D902,181	S	*	11/2020	Maeda	D14/223
D904,351	S	*	12/2020	Zhang	D14/223
D905,016	S	*	12/2020	Takubo	D14/223
D905,018	S	*	12/2020	Zhu	D14/223
D905,019	S	*	12/2020	Liu	D14/223
D907,008	S	*	1/2021	Yao	D14/223
D908,114	S	*	1/2021	Jung	D14/223

OTHER PUBLICATIONS

Yamaha EP-E30A Wireless Earphones, announced Aug. 19, 2020 [online], retrieved Jan. 27, 2021, retrieved from internet, <https://neofiliac.com/product/1600/yamaha-ep-e30a>.*

Yamaha Breaks Into Adaptive Headphone Market, announced Aug. 20, 2020 [online], retrieved Jan. 27, 2021, retrieved from internet, <https://www.channelnews.com.au/yamaha-breaks-into-adaptive-headphone-market/>.*

Yamaha EP-E30A Wireless Earphones, announced © 2020 [online], retrieved Jan. 27, 2021, retrieved from internet, <https://e-piphany.co.za/product/yamaha-ep-e30a/>.*

Yamaha EP-E30A Bluetooth 5.0 Earphone, announced Nov. 15, 2019 [online], retrieved Jan. 27, 2021, retrieved from internet, <https://www.amazon.co.uk/EP-E30A-Bluetooth-Earphone-Sealed-Continuous-Assistant-White/dp/B0814P6LPN>.*

* cited by examiner

FIG. 1

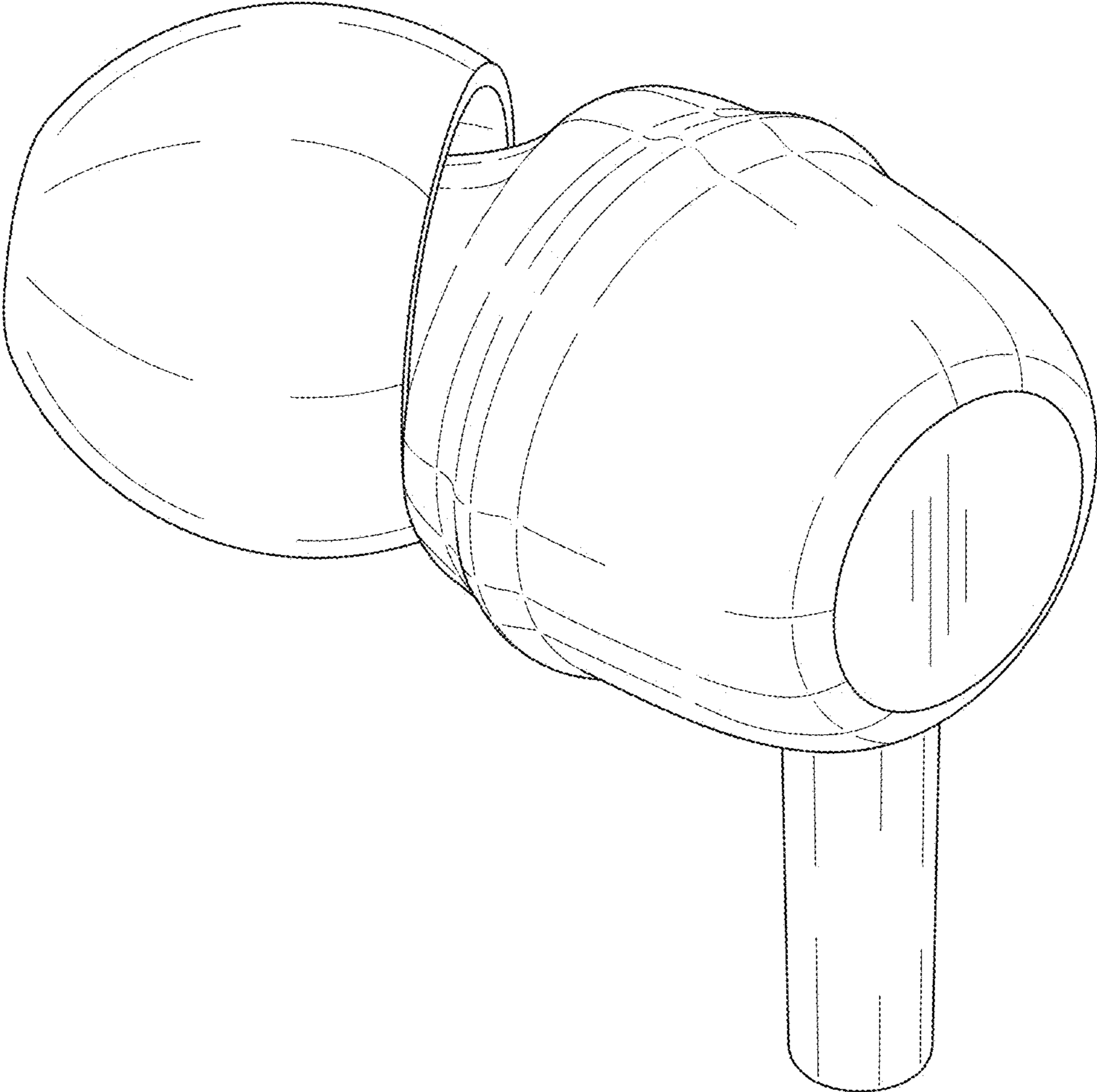


FIG. 2

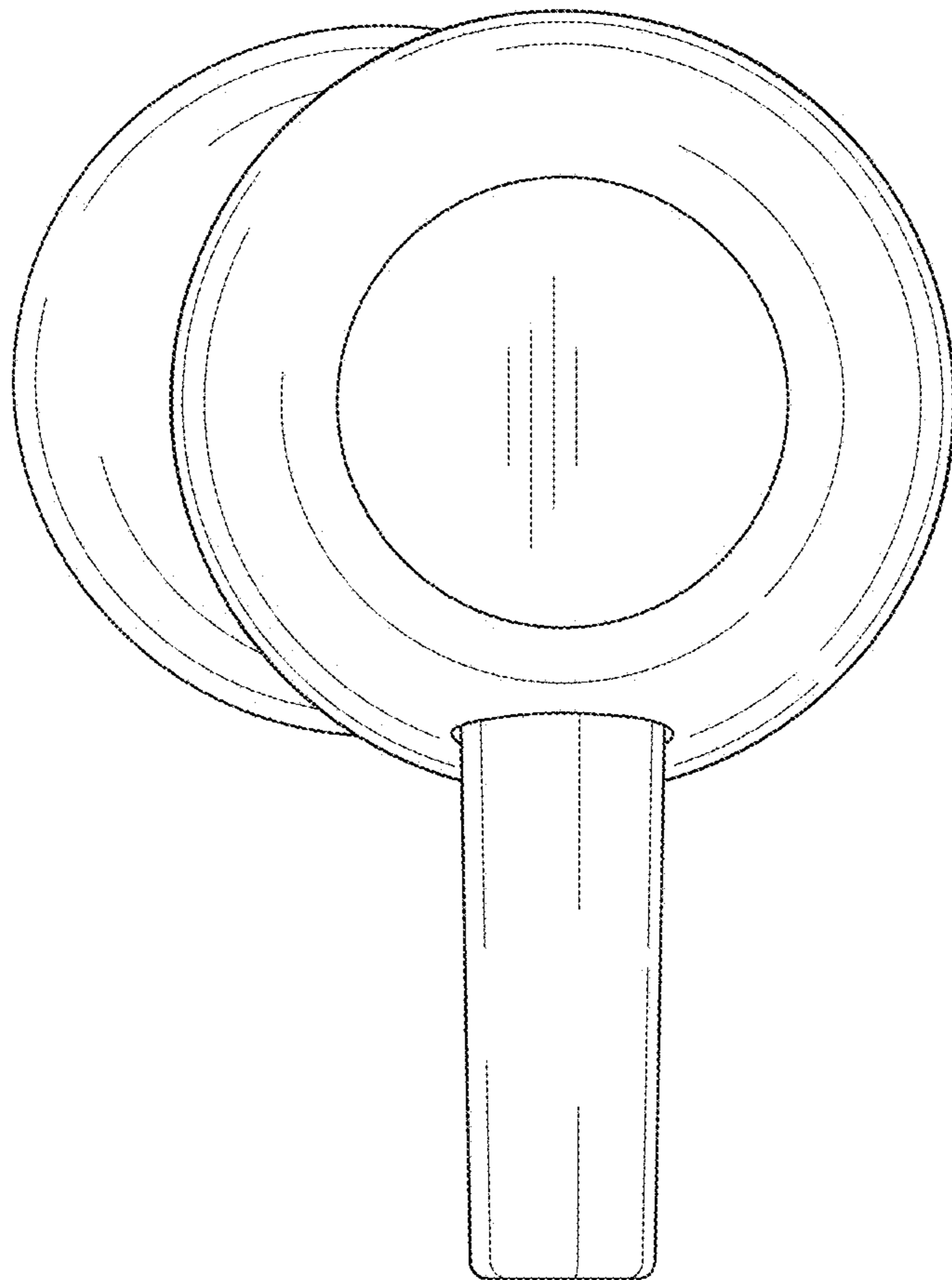


FIG. 3

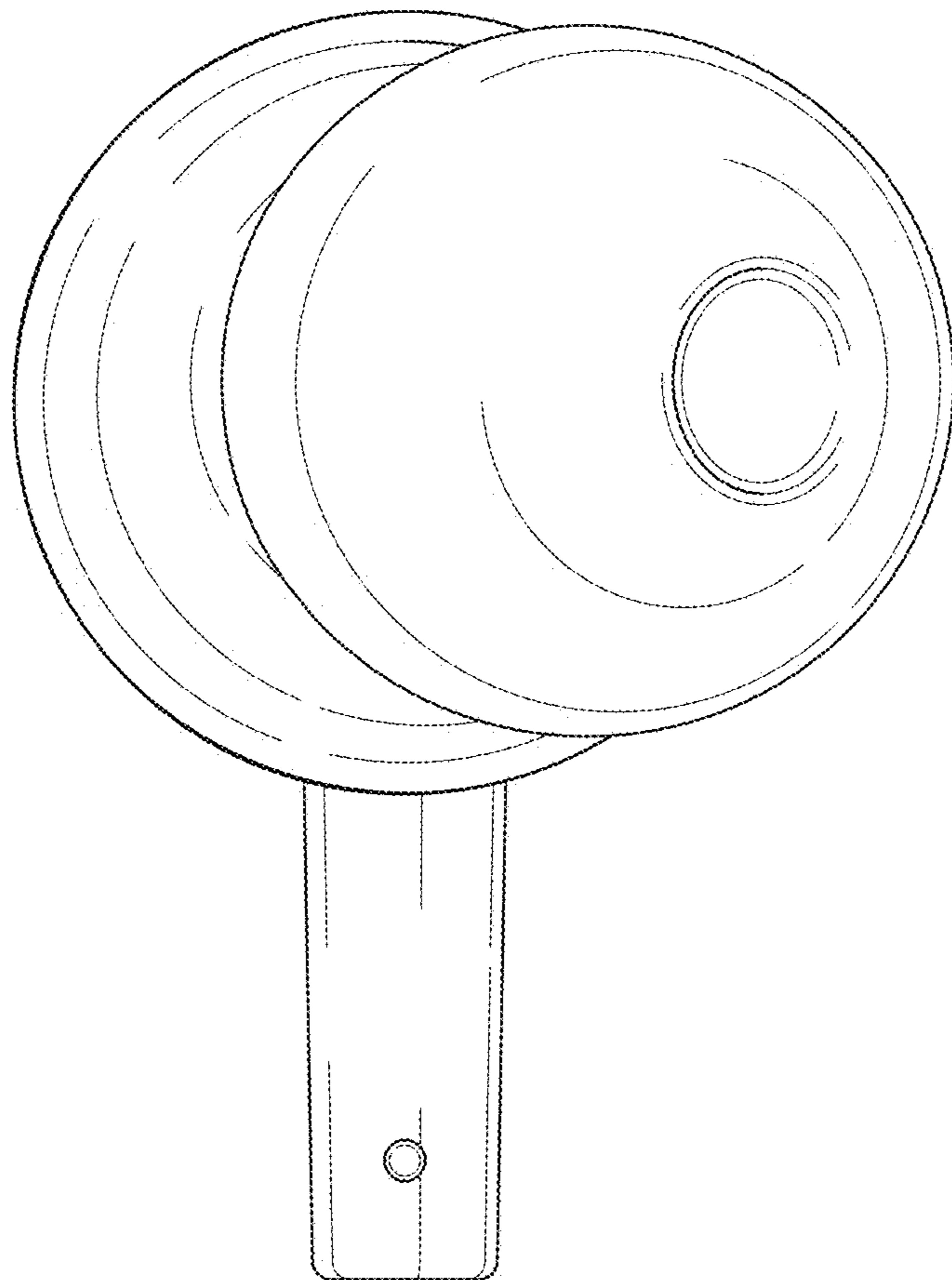


FIG. 4

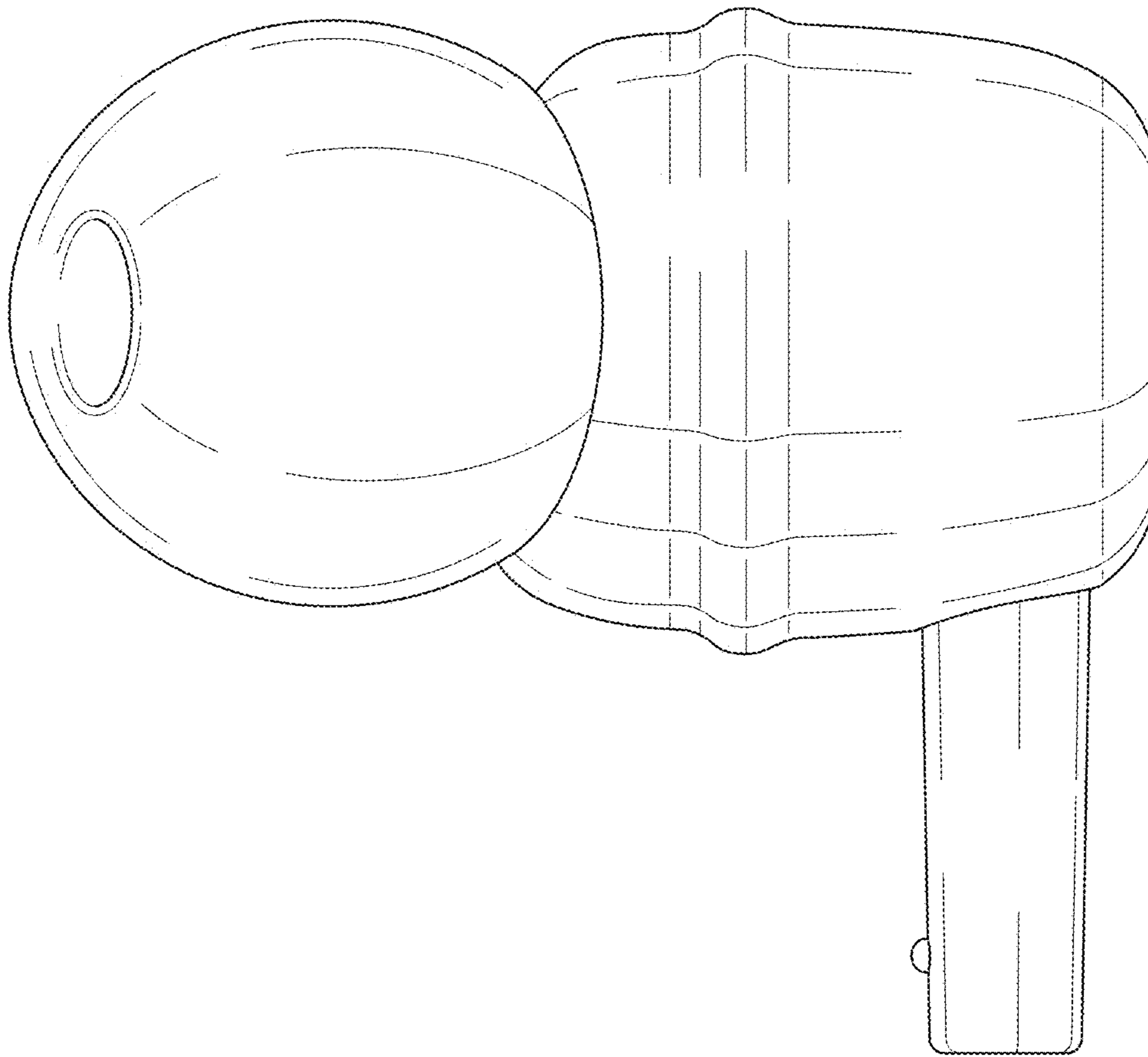


Fig. 5

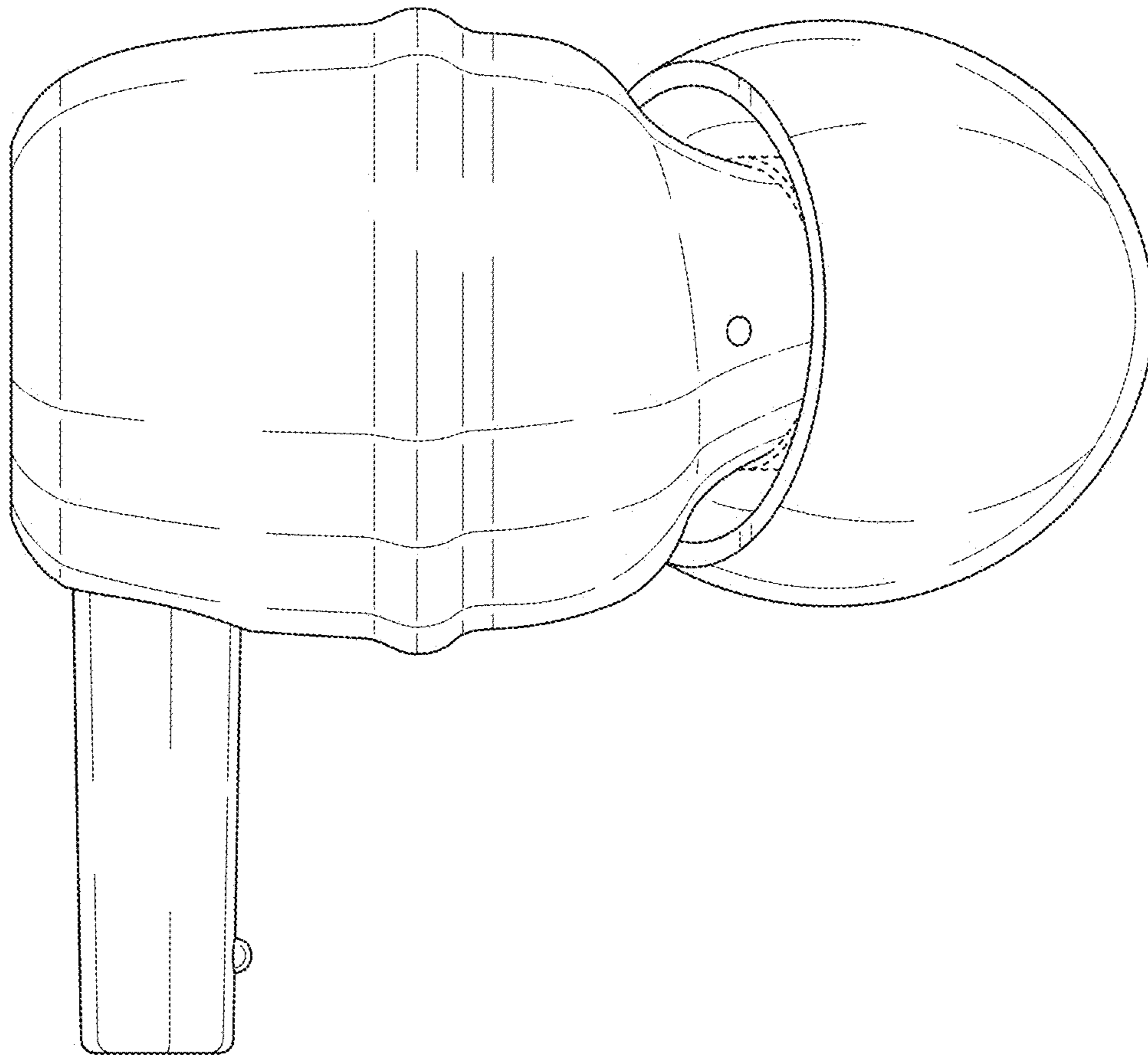


FIG. 6

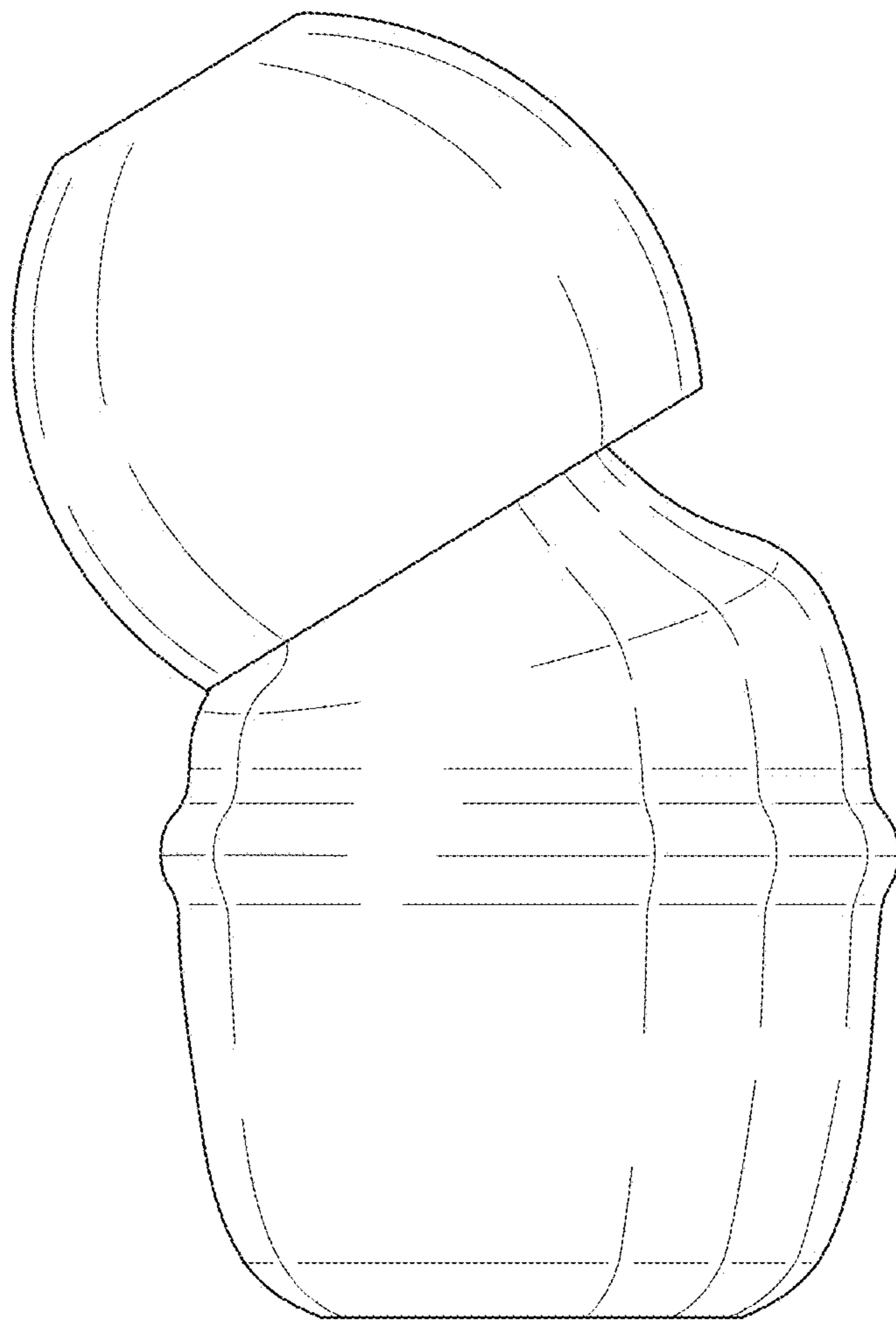


FIG. 7

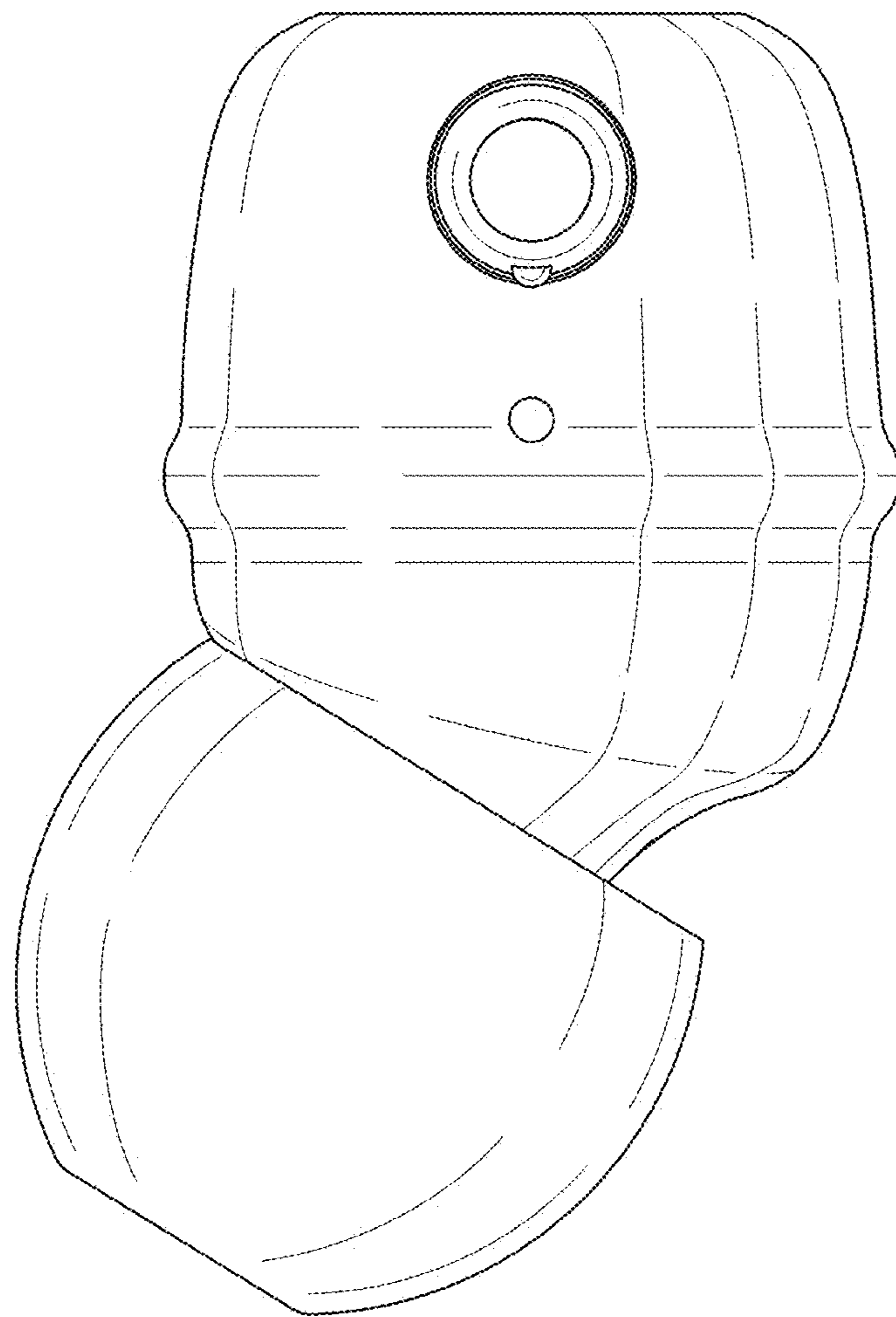


FIG. 8

