



US00D918872S

(12) **United States Design Patent** (10) **Patent No.:** **US D918,872 S**
Lin et al. (45) **Date of Patent:** **** May 11, 2021**

(54) **EARPHONE EARPIECE**
(71) Applicant: **HUAWEI TECHNOLOGIES CO., LTD.**, Shenzhen (CN)
(72) Inventors: **Chenxi Lin**, Shenzhen (CN); **Ying Zhao**, Shanghai (CN); **SangHyun Jeong**, Shenzhen (CN)
(73) Assignee: **HUAWEI TECHNOLOGIES CO., LTD.**, Shenzhen (CN)
(**) Term: **15 Years**
(21) Appl. No.: **29/694,251**
(22) Filed: **Jun. 10, 2019**

(30) **Foreign Application Priority Data**
Dec. 10, 2018 (CN) 201830714028.0
(51) **LOC (13) Cl.** **14-01**
(52) **U.S. Cl.**
USPC **D14/223**
(58) **Field of Classification Search**
USPC D14/205, 223; 381/380, 381, 370, 371, 381/322, 328; 455/90.3, 575.1, 569.1
CPC H04R 1/1033; H04R 25/00; H04R 1/1016; H04R 1/1066; H04R 1/10; H04R 5/033; H04R 5/0335; H04R 1/105; H04R 1/1041; H04R 1/1091; H04R 1/1058
See application file for complete search history.

(56) **References Cited**
U.S. PATENT DOCUMENTS
4,742,887 A * 5/1988 Yamagishi H04R 25/00 181/129
5,363,444 A * 11/1994 Norris 379/430
5,373,555 A * 12/1994 Norris et al. 379/430
5,812,659 A * 9/1998 Mauney et al. 379/430
D539,268 S * 3/2007 Suzuki D14/206

D567,217 S * 4/2008 Kamo et al. D14/205
D573,978 S * 7/2008 Ledbetter et al. D14/205
D576,154 S * 9/2008 Ledbetter et al. D14/223
D590,375 S * 4/2009 Komiyama D14/223
D599,778 S * 8/2009 Ando D14/205
D623,630 S * 9/2010 Ohori et al. D14/223
D628,564 S * 12/2010 Chong et al. D14/223
D637,181 S * 5/2011 Fuller et al. D14/223
D643,416 S * 8/2011 Chong et al. D14/223
8,391,536 B2 * 3/2013 Hashimoto H04R 1/1016 381/380
8,712,087 B2 * 4/2014 Ozawa 381/380
9,042,588 B2 * 5/2015 Aase H04R 1/1041 381/380
D730,876 S * 6/2015 Dahlberg D14/223
D751,529 S * 3/2016 Kolton D14/205
D751,530 S * 3/2016 Kolton D14/205
(Continued)

FOREIGN PATENT DOCUMENTS

EM 003996883-0003 * 5/2017
EM 006261756-0001 * 2/2019
EM 006568986-0001 * 6/2019

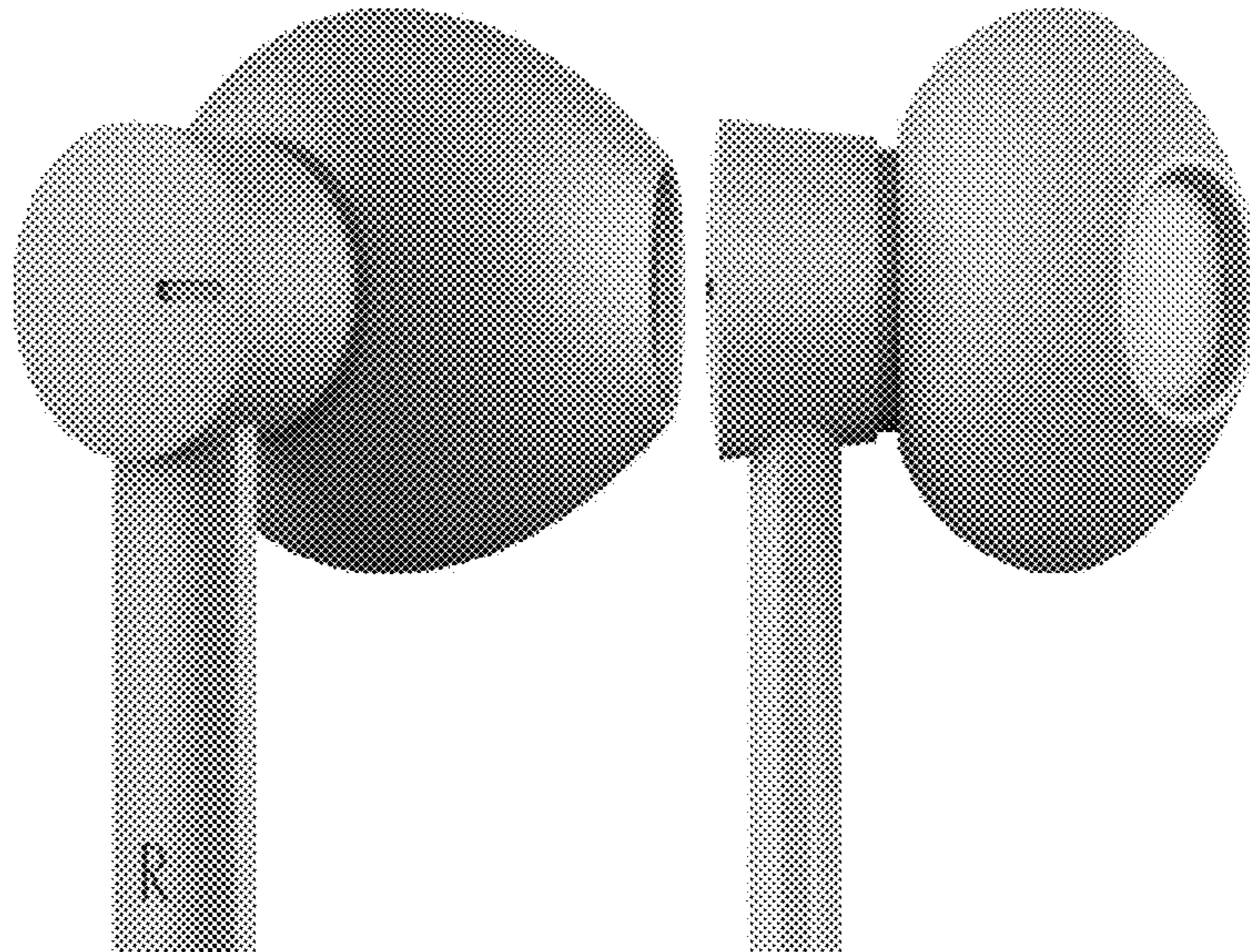
Primary Examiner — Paula Allen Greene
(74) *Attorney, Agent, or Firm* — Kilpatrick Townsend & Stockton LLP

(57) **CLAIM**
The ornamental design of an earphone earpiece, as shown and described.

DESCRIPTION

FIG. 1 is a perspective view of an earphone earpiece showing our new design;
FIG. 2 is a front elevation view thereof;
FIG. 3 is a back elevation view thereof;
FIG. 4 is a left side elevation view thereof;
FIG. 5 is a right side elevation view thereof;
FIG. 6 is a top plan view thereof; and,
FIG. 7 is a bottom plan view thereof.

1 Claim, 7 Drawing Sheets



(56)

References Cited

U.S. PATENT DOCUMENTS

D757,682 S * 5/2016 Perez D14/205
 D770,412 S * 11/2016 Son D14/205
 D778,268 S * 2/2017 Hsieh et al. D14/223
 D780,155 S * 2/2017 Levine D14/205
 D784,298 S * 4/2017 Ozawa et al. D14/223
 D801,314 S * 10/2017 Akana D14/223
 D802,562 S * 11/2017 Baba D14/223
 D803,184 S * 11/2017 Loh Jun Kern D14/205
 D812,038 S * 3/2018 Nakajima D14/205
 D813,844 S * 3/2018 Stiff D14/223
 D817,301 S * 5/2018 Aoyagi D14/205
 D820,809 S * 6/2018 Akana D14/205
 D821,999 S * 7/2018 Guo D14/205
 D822,009 S * 7/2018 Matoba D14/223
 D830,336 S * 10/2018 Cai D14/205
 D830,345 S * 10/2018 Cai D14/223
 D830,992 S * 10/2018 Hardi D14/205
 D830,994 S * 10/2018 Lee D14/205
 D831,610 S * 10/2018 Aoyagi D14/205
 D831,619 S * 10/2018 Matoba D14/223
 D832,823 S * 11/2018 Xiao D14/223
 D832,824 S * 11/2018 Kim D14/223
 D845,926 S * 4/2019 Aoyagi D14/205

D847,125 S * 4/2019 Akana D14/223
 D847,794 S * 5/2019 Guo D14/223
 D848,980 S * 5/2019 Kim D14/223
 D848,982 S * 5/2019 Kim D14/223
 D848,983 S * 5/2019 Kim D14/223
 D851,626 S * 6/2019 Hsieh D14/205
 D861,647 S * 10/2019 Chen D14/223
 D864,165 S * 10/2019 Roberts D14/223
 D864,169 S * 10/2019 Min D14/223
 D865,707 S * 11/2019 Bian D14/205
 D869,445 S * 12/2019 Hu D14/223
 D871,366 S * 12/2019 Petersen D14/205
 D873,791 S * 1/2020 Aoyagi D14/205
 D874,429 S * 2/2020 Aoyagi D14/205
 D875,070 S * 2/2020 Carr D14/205
 D875,072 S * 2/2020 Yao D14/205
 D876,386 S * 2/2020 Birger D14/205
 D877,722 S * 3/2020 Yang D14/223
 D878,337 S * 3/2020 Yang D14/223
 D881,838 S * 4/2020 Aoyagi D14/205
 D890,127 S * 7/2020 Kim D14/205
 D890,128 S * 7/2020 Kim D14/205
 D890,724 S * 7/2020 Li D14/223
 2013/0077815 A1 * 3/2013 Stephenson H04R 1/1016
 381/370
 2020/0068283 A1 * 2/2020 Chou H04R 1/1025

* cited by examiner

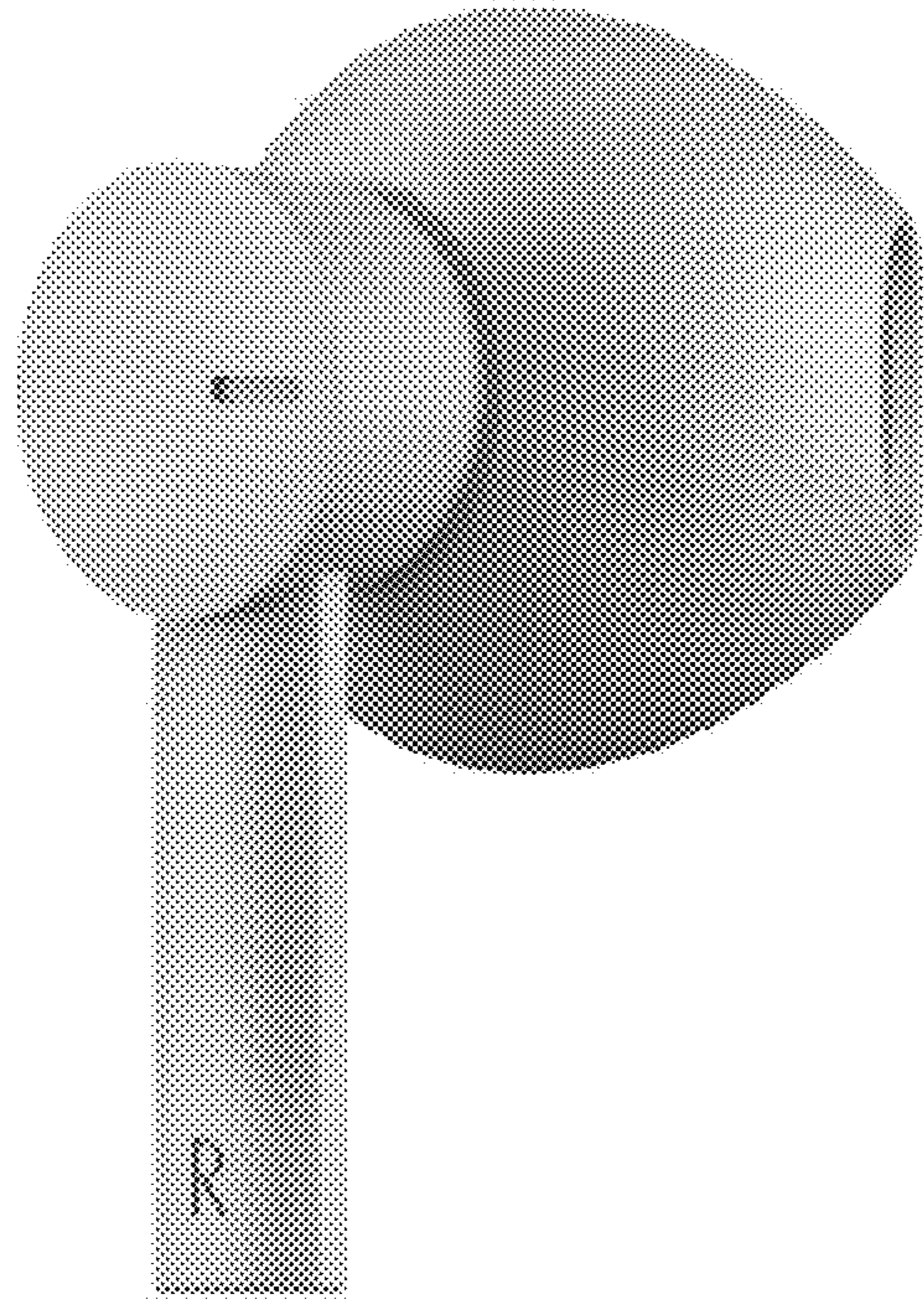


FIG. 1

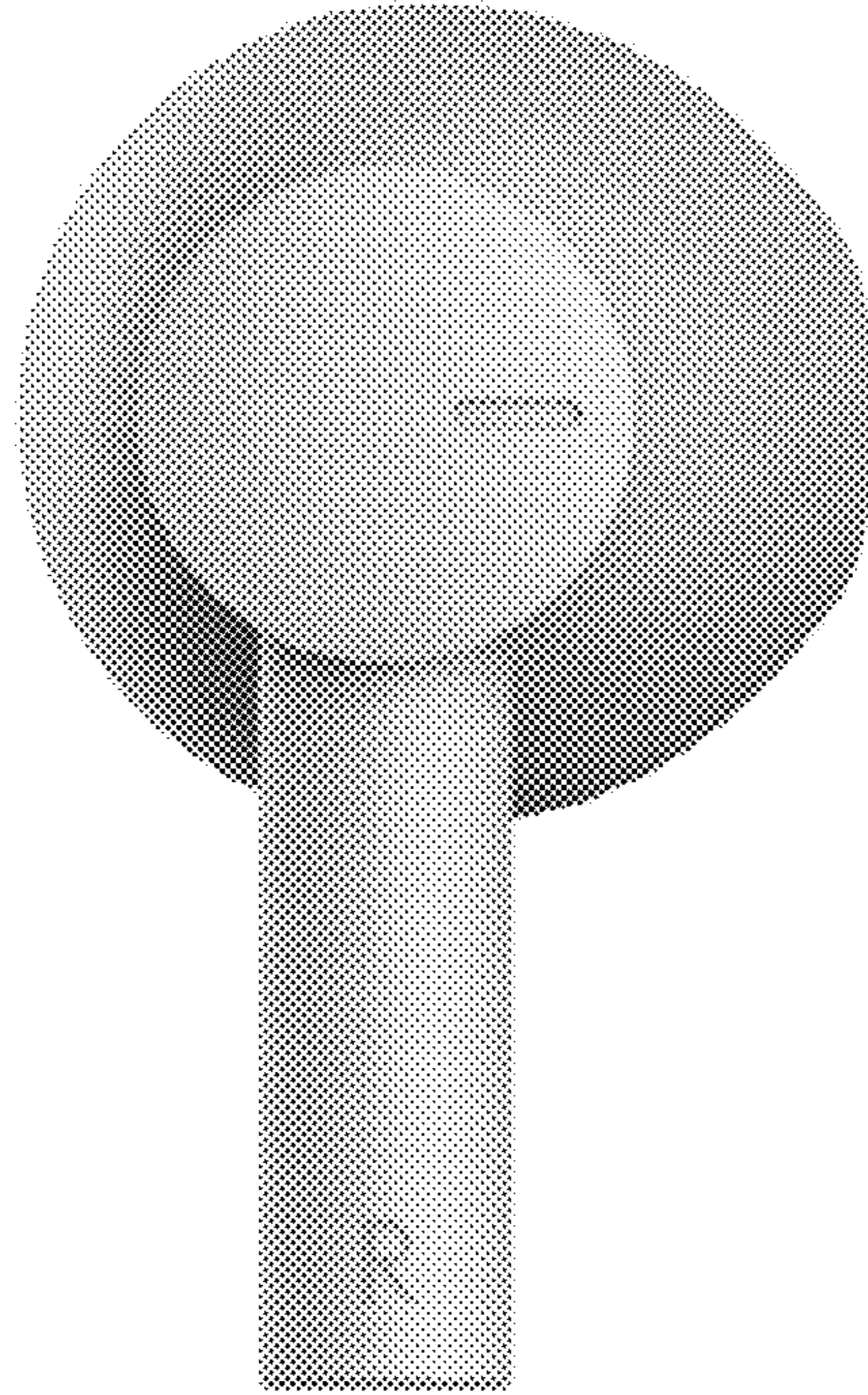


FIG. 2

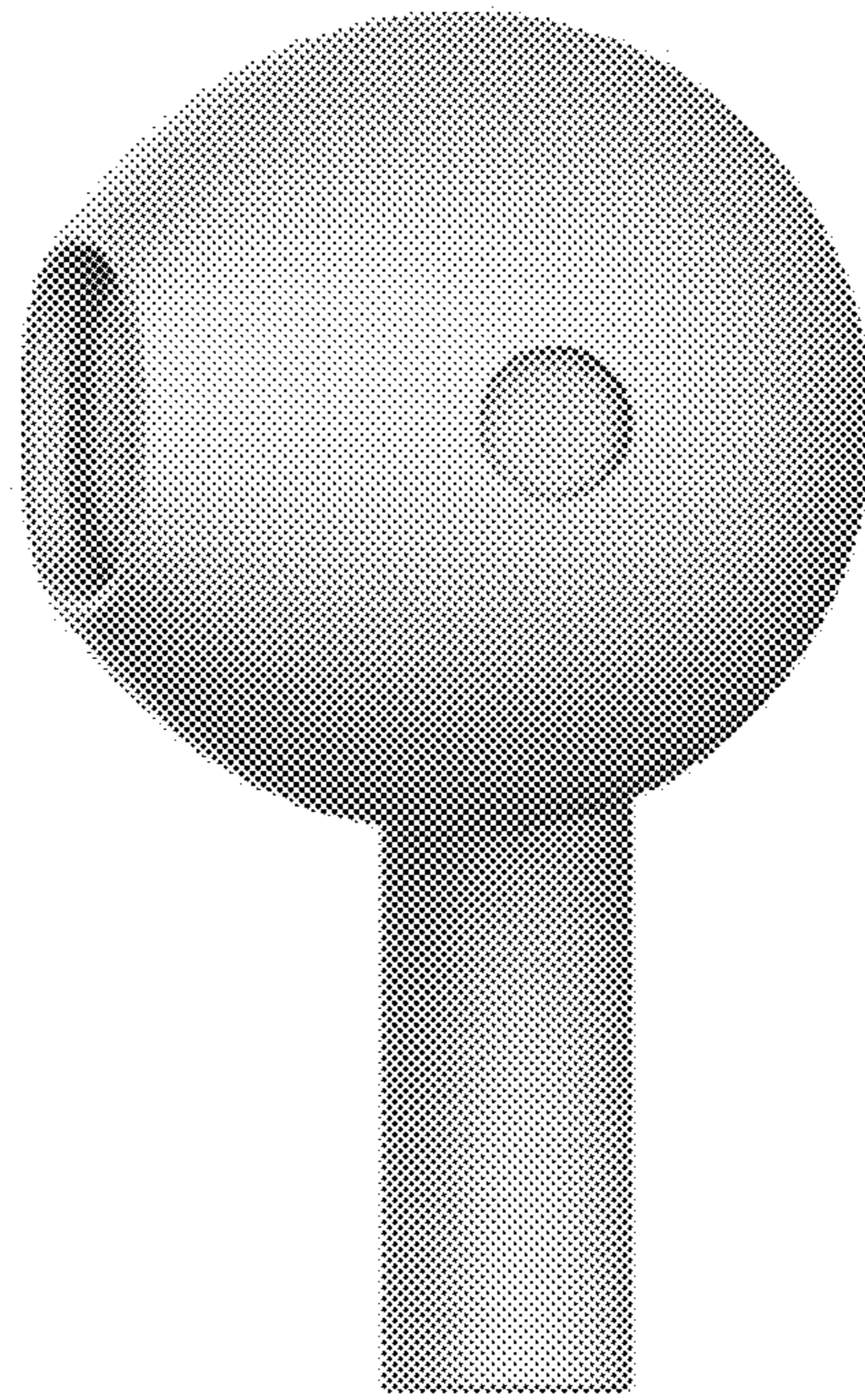


FIG. 3

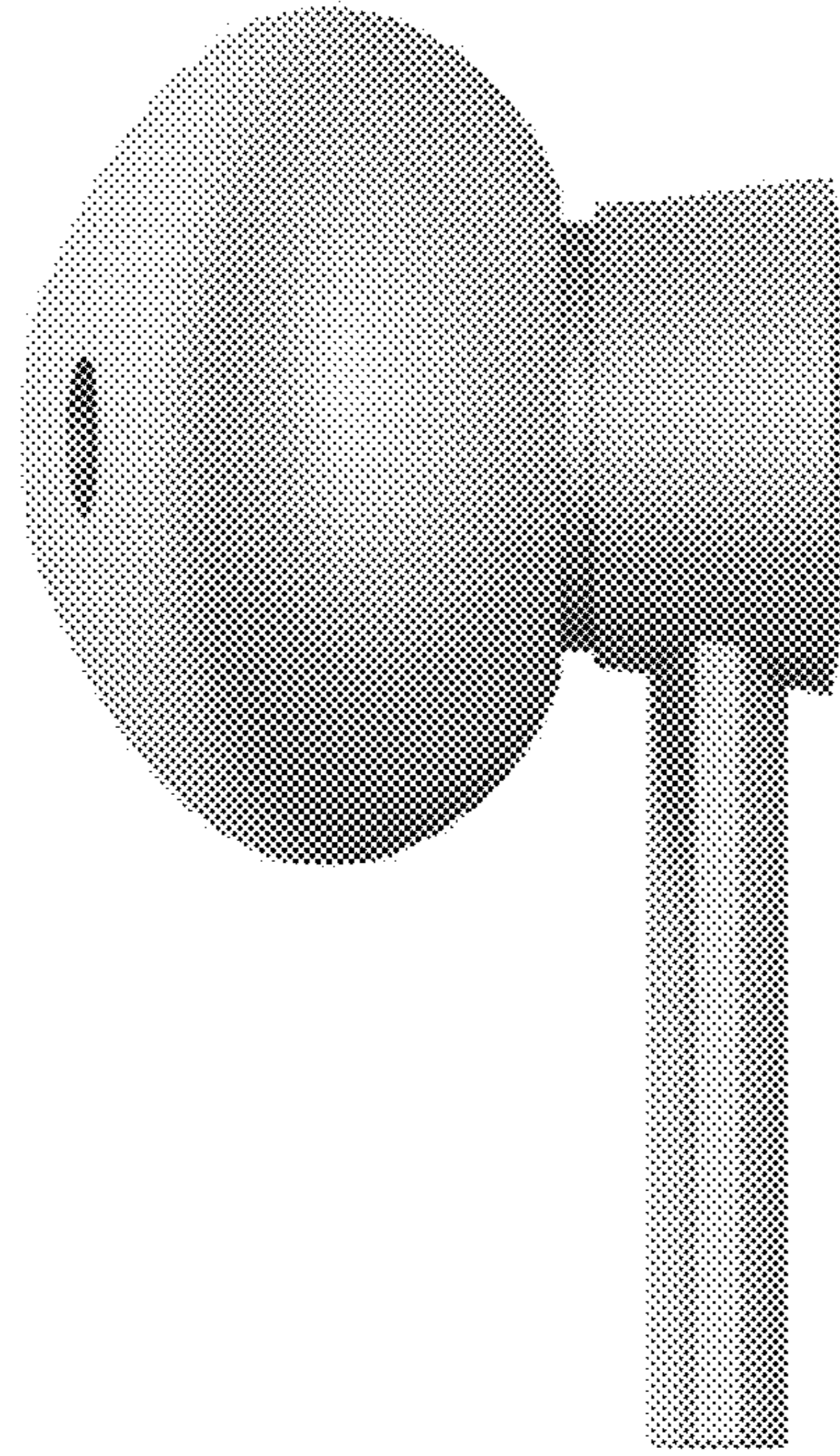


FIG. 4

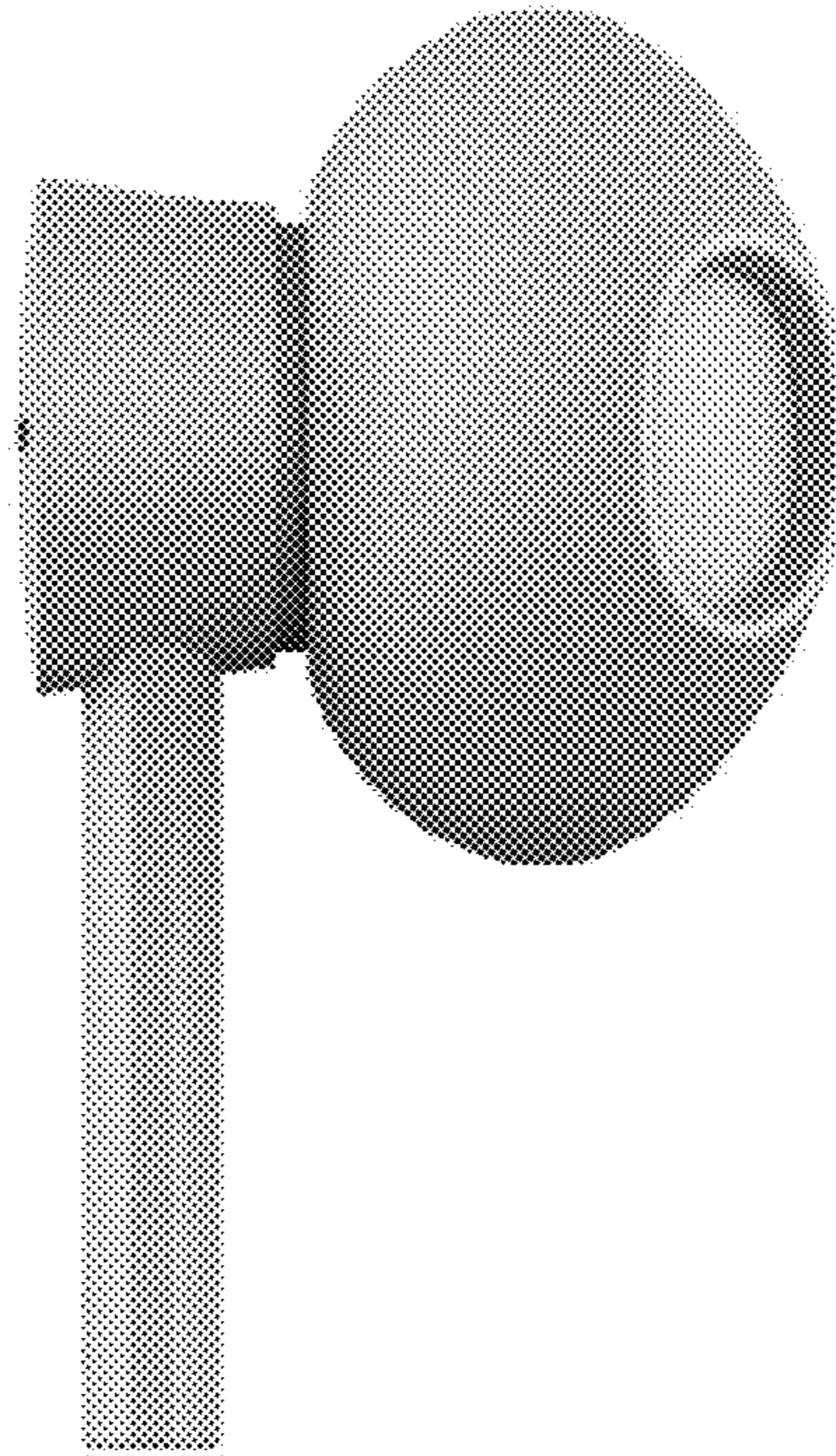


FIG. 5

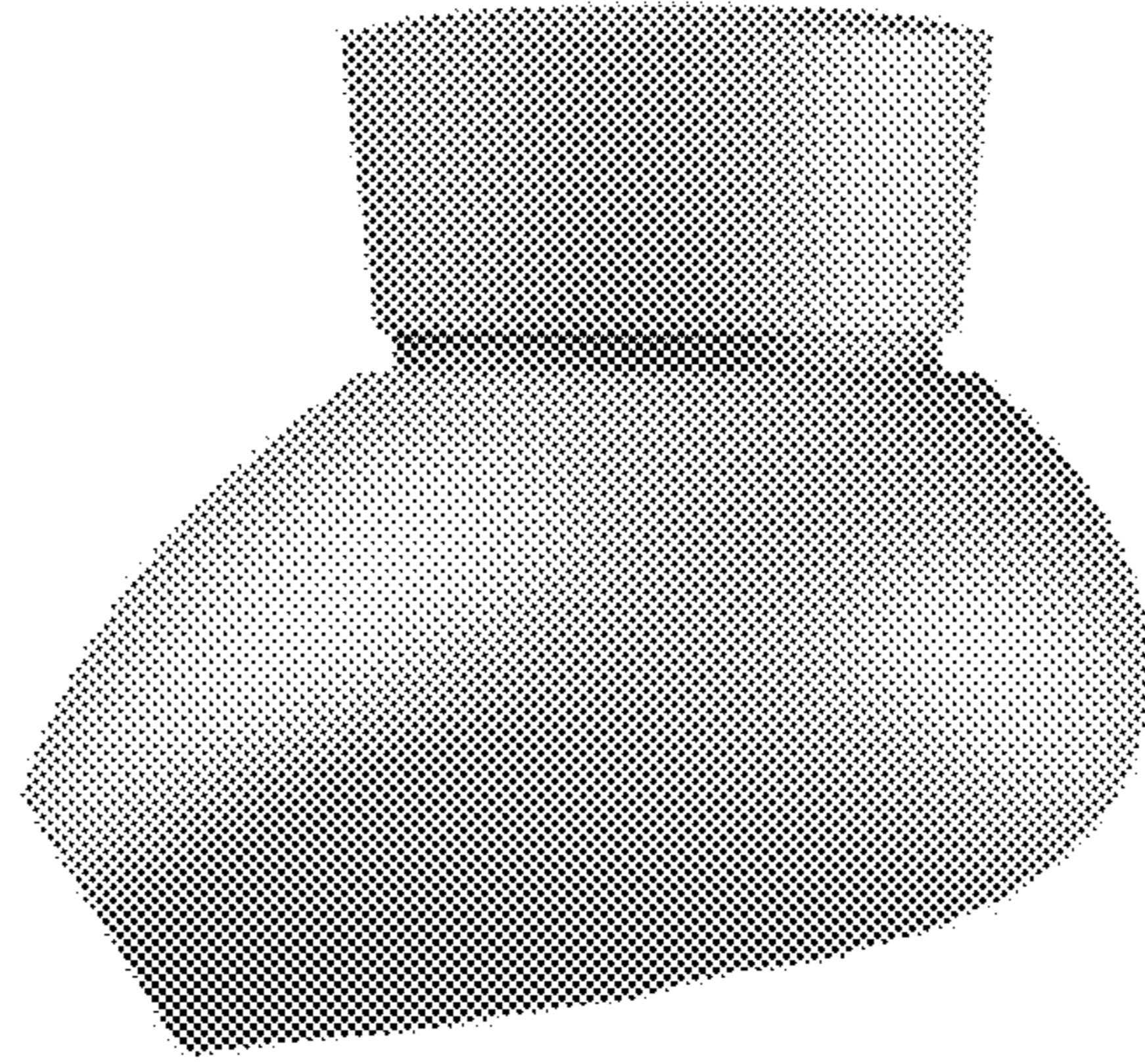


FIG. 6

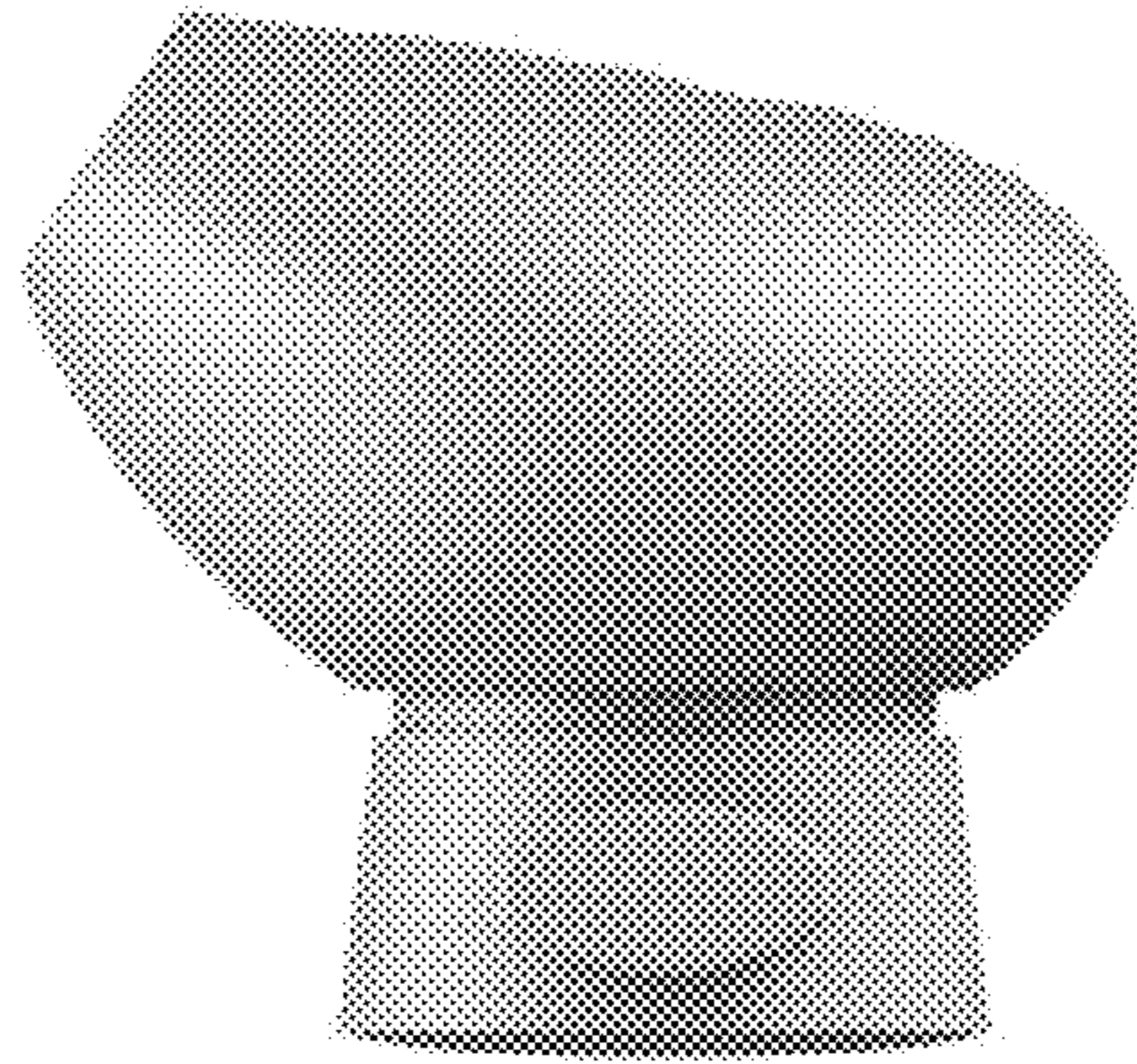


FIG. 7