



US00D918871S

(12) **United States Design Patent** (10) **Patent No.:** **US D918,871 S**
Park et al. (45) **Date of Patent:** **** May 11, 2021**

(54) **REMOTE CONTROLLER**

D865,805 S * 11/2019 Kim D14/489
D865,806 S * 11/2019 Kim D14/489
D874,518 S * 2/2020 Francisco D14/490

(71) Applicant: **Samsung Electronics Co., Ltd.**,
Suwon-si (KR)

FOREIGN PATENT DOCUMENTS

(72) Inventors: **Ga-Min Park**, Gwangyang-si (KR);
Hee-Jin Ko, Bucheon-si (KR);
Seong-Wook Jeong, Seoul (KR)

CN 303082741 1/2015
CN 304111502 4/2017
EM 002572487-0001 11/2014
EM 003000512-0009 3/2016

(73) Assignee: **SAMSUNG ELECTRONICS CO., LTD.**,
Suwon-si (KR)

* cited by examiner

(**) Term: **15 Years**

Primary Examiner — John Windmuller

(21) Appl. No.: **29/655,308**

(74) *Attorney, Agent, or Firm* — McAndrews Held & Malloy, Ltd.

(22) Filed: **Jul. 2, 2018**

(57) **CLAIM**

The ornamental design for a remote controller, as shown and described.

(30) **Foreign Application Priority Data**

DESCRIPTION

Jan. 4, 2018 (KR) 30-2018-0000735

(51) **LOC (13) Cl.** **14-03**

(52) **U.S. Cl.**
USPC **D14/218**

(58) **Field of Classification Search**
USPC D14/218, 496, 434, 203.3, 225, 205,
D14/203.7, 388, 402; D13/168
CPC H03J 3/12; G08G 5/0013; H04N 5/44543;
G06F 3/016
See application file for complete search history.

FIG. 1 is a front perspective view of a remote controller showing my new design;
FIG. 2 is a front elevation view thereof;
FIG. 3 is a rear elevation view thereof;
FIG. 4 is a left side elevation view thereof;
FIG. 5 is a right side elevation view thereof;
FIG. 6 is a top plan view thereof;
FIG. 7 is a bottom plan view thereof;
FIG. 8 is an enlarged view of the portion 8 delineated in FIG. 2; and,
FIG. 9 is another enlarged view showing part of the portion 8 delineated in FIG. 2, shown separately for clarity of illustration.

(56) **References Cited**

U.S. PATENT DOCUMENTS

D624,409 S * 9/2010 Straker D14/492
D725,149 S * 3/2015 Baker D14/492
D750,134 S * 2/2016 Bates D14/492
D753,183 S * 4/2016 Lee D14/490
D757,108 S * 5/2016 Kang D14/492
D761,859 S * 7/2016 Kim D14/492
D852,816 S * 7/2019 Baekelandt D14/485

The evenly spaced dashed broken lines in the drawings illustrate portions of the remote controller that form no part of the claimed design. The unevenly spaced dot-dash broken lines in the drawings delineating portions of the claimed design that are illustrated in enlargements form no part of the claimed design.

1 Claim, 9 Drawing Sheets

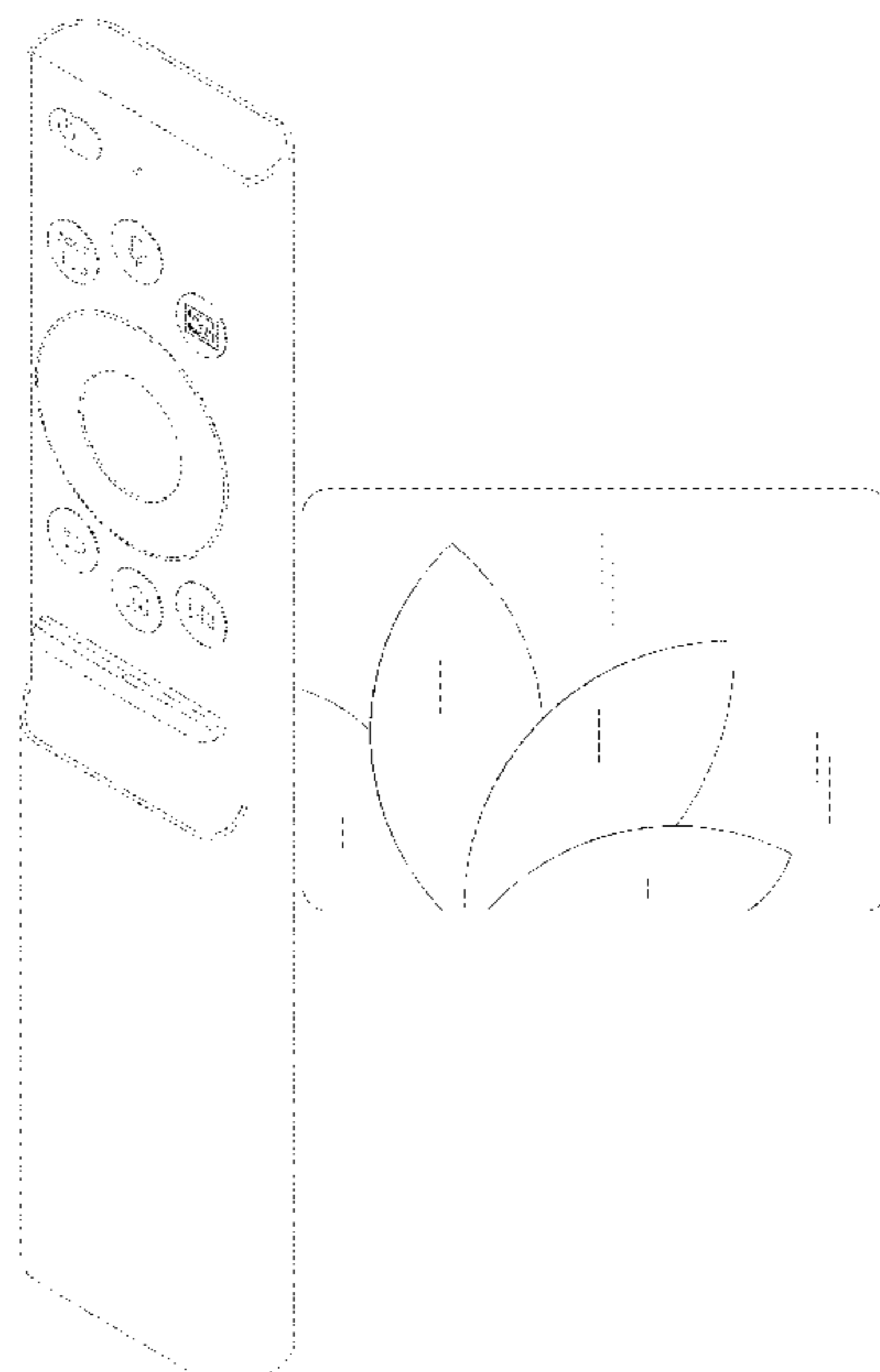


FIG. 1

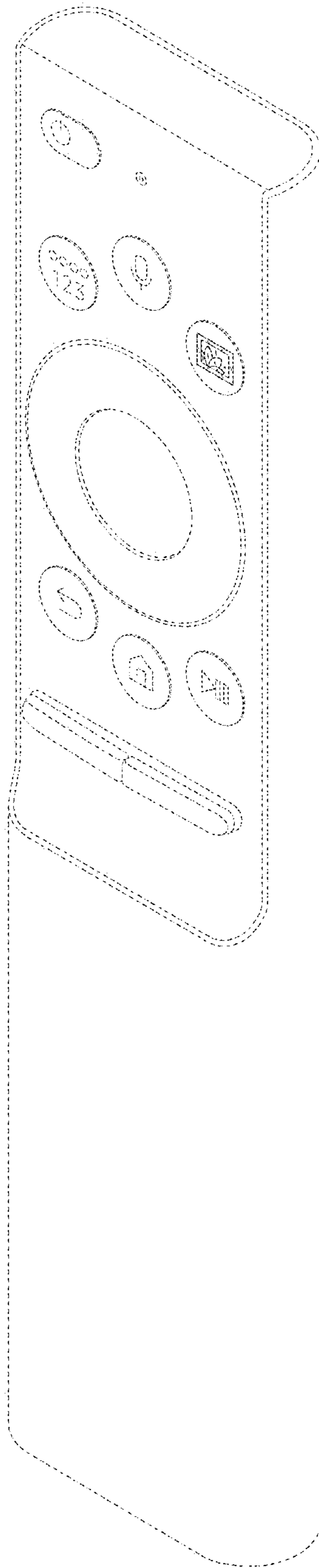


FIG. 2

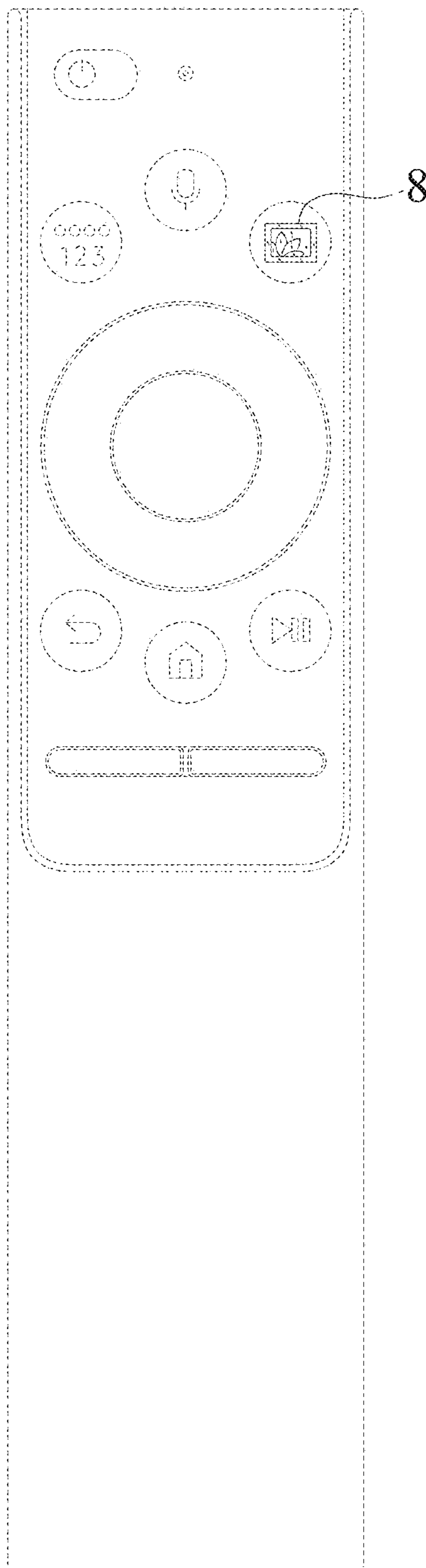


FIG. 3

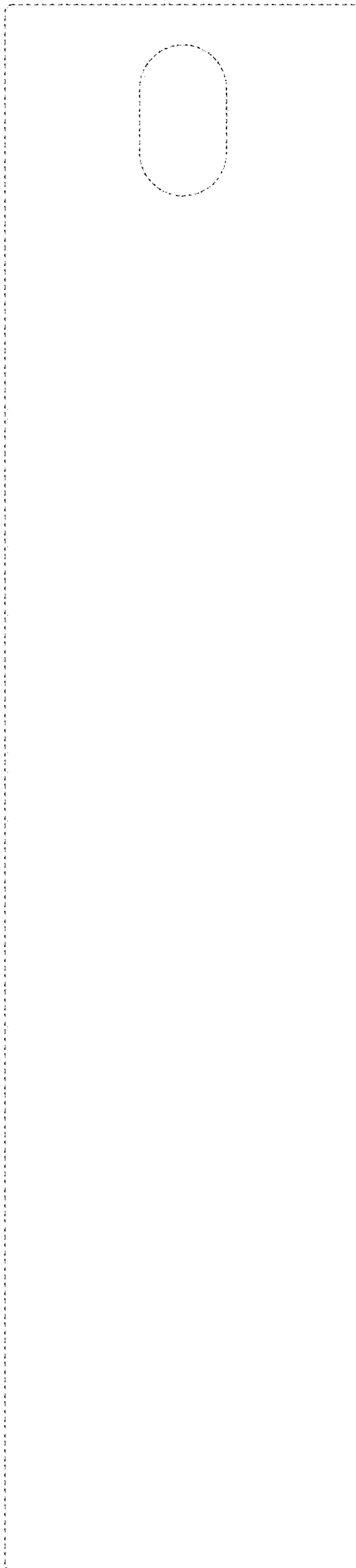


FIG. 4



FIG. 5

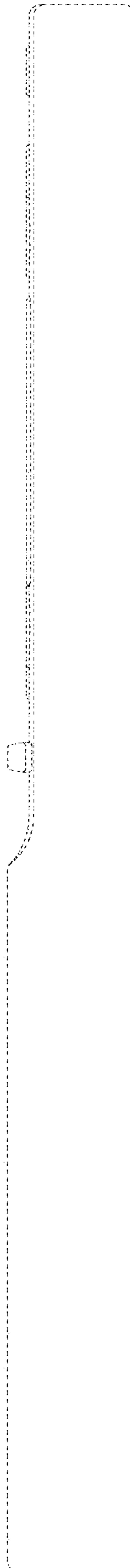


FIG. 6

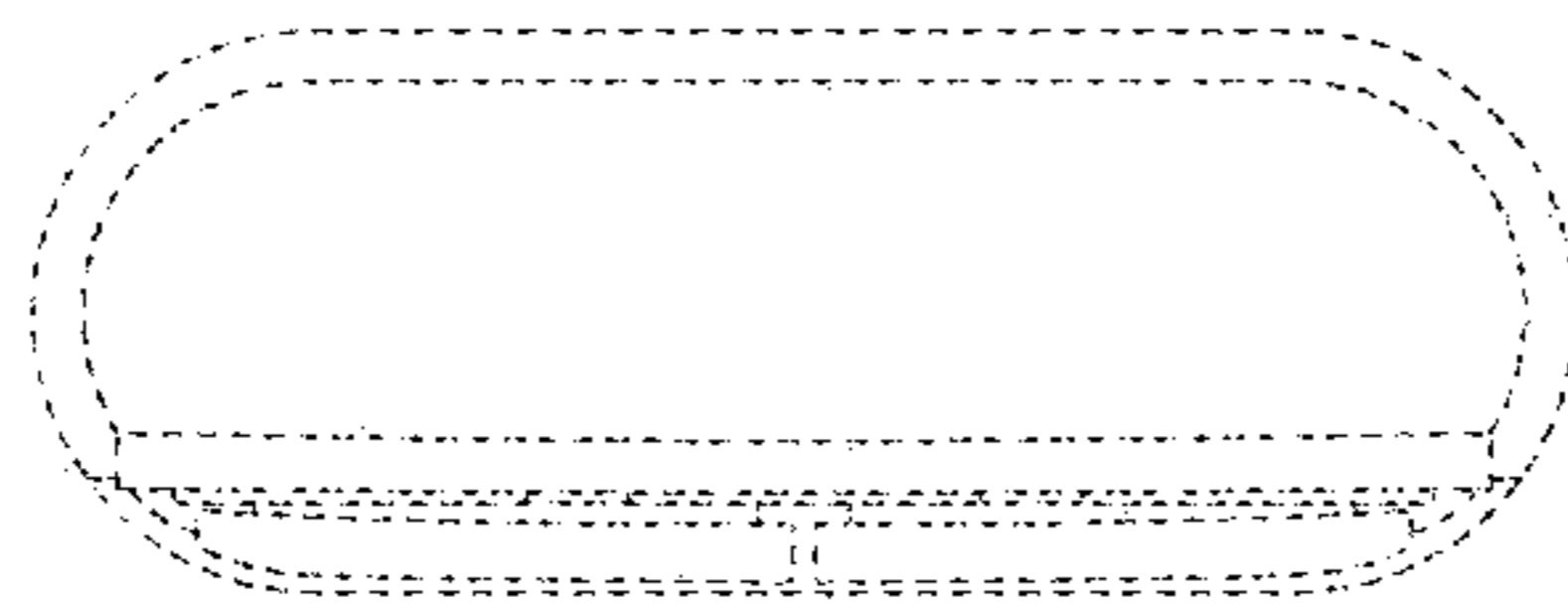


FIG. 7



FIG. 8

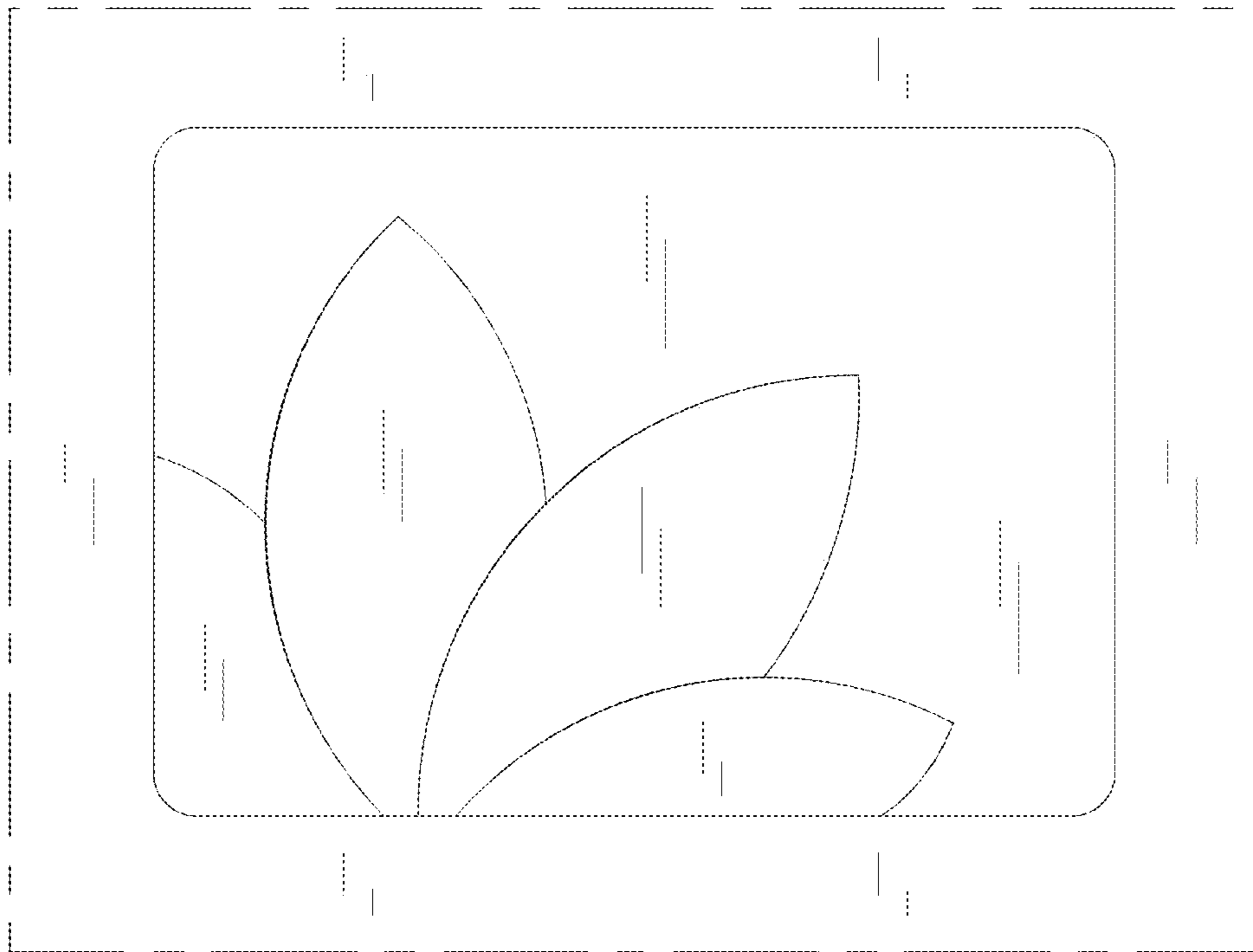


FIG. 9

