



US00D918870S

(12) **United States Design Patent**
Koranda

(10) **Patent No.:** **US D918,870 S**

(45) **Date of Patent:** **** May 11, 2021**

- (54) **SPEAKER**
- (71) Applicant: **SDS Asia Limited, BVI #1748971,**
Hong Kong (CN)
- (72) Inventor: **Jason Koranda,** Omaha, NE (US)
- (73) Assignee: **SDS ASIA LIMITED, BVI # 1748971,**
Central Hong Kong (CN)
- (**) Term: **15 Years**
- (21) Appl. No.: **29/701,298**
- (22) Filed: **Aug. 9, 2019**
- (51) **LOC (13) Cl.** **14-01**
- (52) **U.S. Cl.**
USPC **D14/216; D14/209.1**
- (58) **Field of Classification Search**
USPC ... D14/216, 204, 188, 159, 137, 207, 209.1,
D14/210, 211, 212, 213; D8/378;
D26/40, 41; D11/89, 90, 121, 118, 119;
181/145, 155; 381/180, 182, 185, 186,
381/188, 189, 205, 386, 387, 388
CPC . H04R 25/00; H04R 1/02; H04R 9/06; H04R
5/02; H05K 5/00
See application file for complete search history.

- D230,997 S * 3/1974 Shannon D14/211
- 3,818,138 A * 6/1974 Sperrazza, Jr. H04R 1/323
381/336
- 4,122,910 A * 10/1978 Wehner H04R 5/02
181/144
- 4,249,037 A * 2/1981 Dexter H04R 1/02
181/144
- D274,056 S * 5/1984 Myer D14/172
- D291,968 S * 9/1987 MacLaughlin D9/429
- D292,702 S * 11/1987 White D14/212
- 4,837,826 A * 6/1989 Schupbach H04R 5/02
381/308
- D303,970 S * 10/1989 Collins D14/216
- 4,991,668 A * 2/1991 Rehm E21B 7/068
175/61
- D329,234 S * 9/1992 Winkelbauer D14/204
- D330,376 S * 10/1992 Kawaguchi D14/212
- D401,582 S * 11/1998 Gremchuck D14/210

(Continued)

FOREIGN PATENT DOCUMENTS

EM 005629839-0001 * 9/2018

Primary Examiner — Paula Allen Greene

(74) *Attorney, Agent, or Firm* — Suiter Swantz pc llo

(57) **CLAIM**

The ornamental design for a speaker, as shown and described.

DESCRIPTION

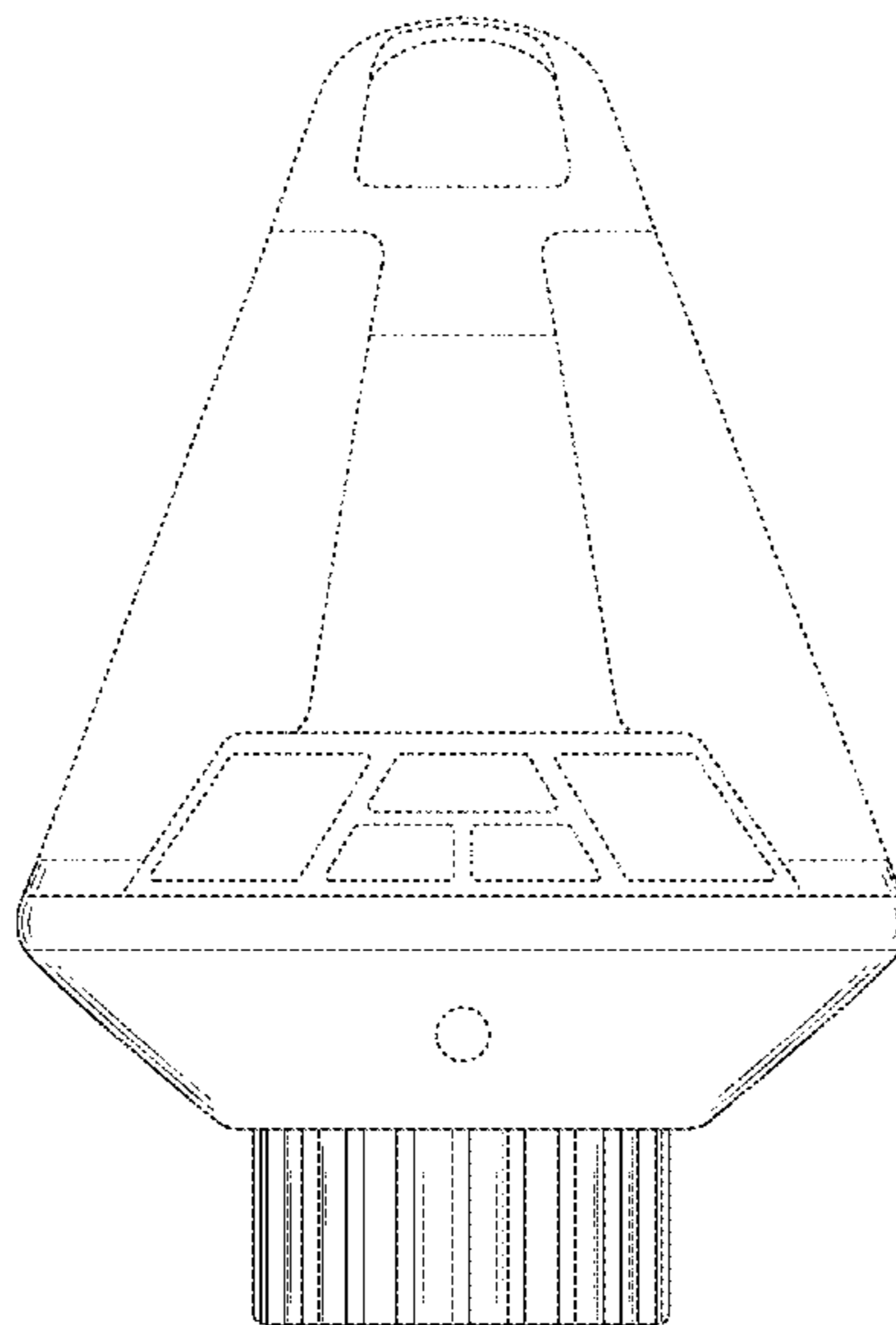
FIG. 1 is a perspective view showing our new design;
 FIG. 2 is a top plan view thereof;
 FIG. 3 is a front elevation view thereof;
 FIG. 4 is a left side elevation view thereof;
 FIG. 5 is a rear elevation view thereof;
 FIG. 6 is a right side elevation view thereof; and,
 FIG. 7 is a bottom plan view thereof.
 The broken line showing a handle, speaker covers, and user-interface buttons of FIGS. 1 through 7 form no part of the claimed design.

1 Claim, 7 Drawing Sheets

(56) **References Cited**

U.S. PATENT DOCUMENTS

- 2,824,167 A * 2/1958 Bauer H02G 3/126
174/63
- 2,955,669 A * 10/1960 Rice H04R 1/2865
181/199
- 3,329,235 A * 7/1967 Shaper H04R 1/26
181/147
- 3,486,578 A * 12/1969 Albarino H04R 1/2842
381/350
- D226,567 S * 3/1973 Sioles D14/212
- 3,750,838 A * 8/1973 Pyle, Jr. H04R 1/2811
181/153



(56)

References Cited

U.S. PATENT DOCUMENTS

D408,035 S * 4/1999 Denham D14/212
D422,916 S * 4/2000 Herrmann D9/443
6,152,257 A * 11/2000 Denham H04R 1/345
181/144
D466,885 S * 12/2002 MacFarlane D14/204
D471,896 S * 3/2003 Solland D14/211
D567,221 S * 4/2008 Liang D14/207
D571,787 S * 6/2008 Hwa-jei D14/207
D591,727 S * 5/2009 Lui D14/216
D631,666 S * 2/2011 Lim D4/129
D689,459 S * 9/2013 Park D14/159
D697,046 S * 1/2014 Hanna D14/204
D718,281 S * 11/2014 Schmiedbauer D14/216
D735,163 S * 7/2015 Valeur D14/216
D746,257 S * 12/2015 Ahn D14/204
D773,704 S * 12/2016 Pardo D26/41
D790,500 S * 6/2017 Morisawa D14/204
D804,444 S * 12/2017 Ahn D14/204
D806,680 S * 1/2018 Demin D14/216
D807,326 S * 1/2018 Justis D14/214
D820,815 S * 6/2018 Justis D14/214
D836,608 S * 12/2018 Kim D14/216
D843,341 S * 3/2019 Imblum D14/204
D853,354 S * 7/2019 Demin D14/211
D864,162 S * 10/2019 Peterson D14/216

* cited by examiner

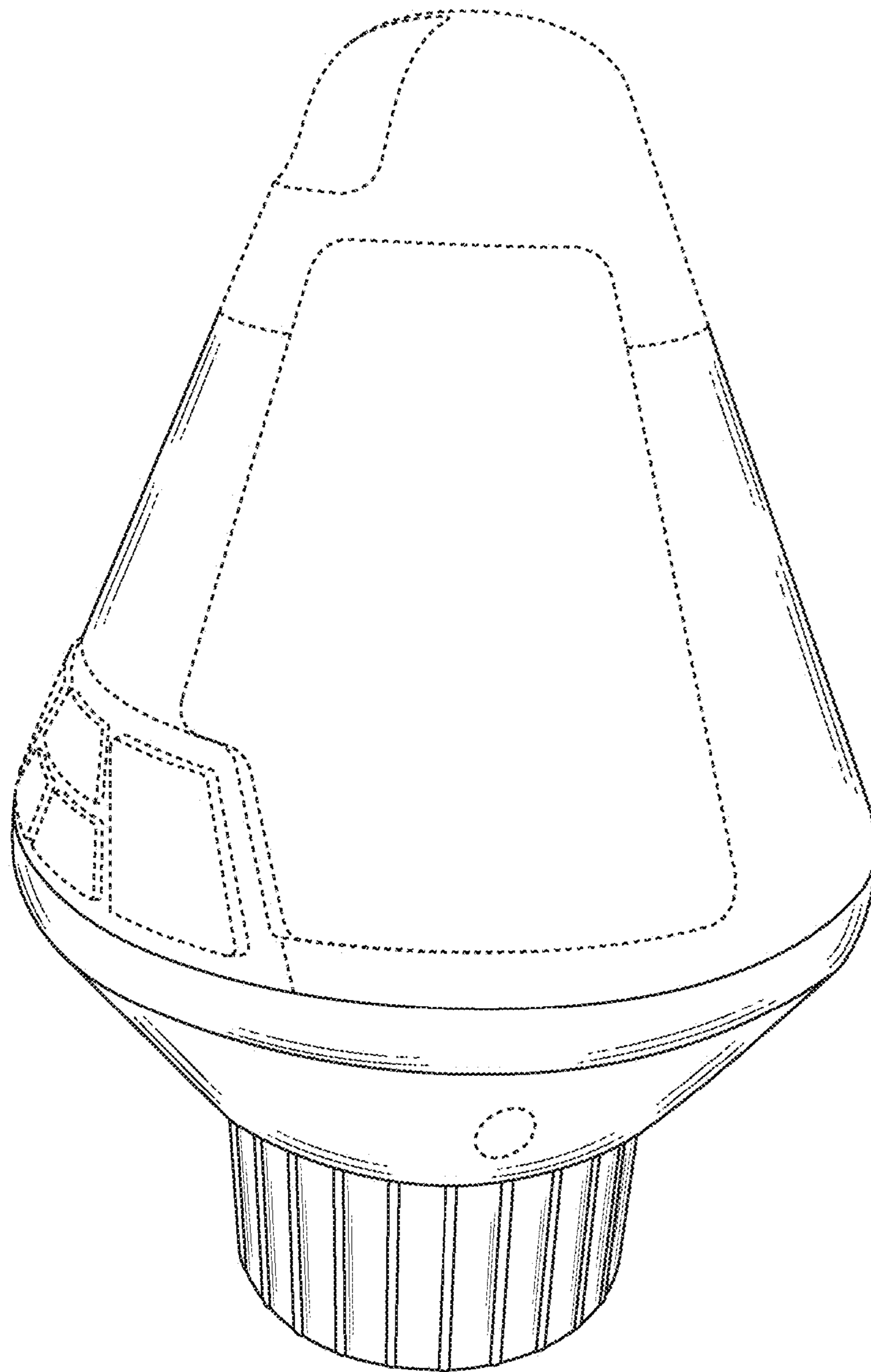


FIG. 1

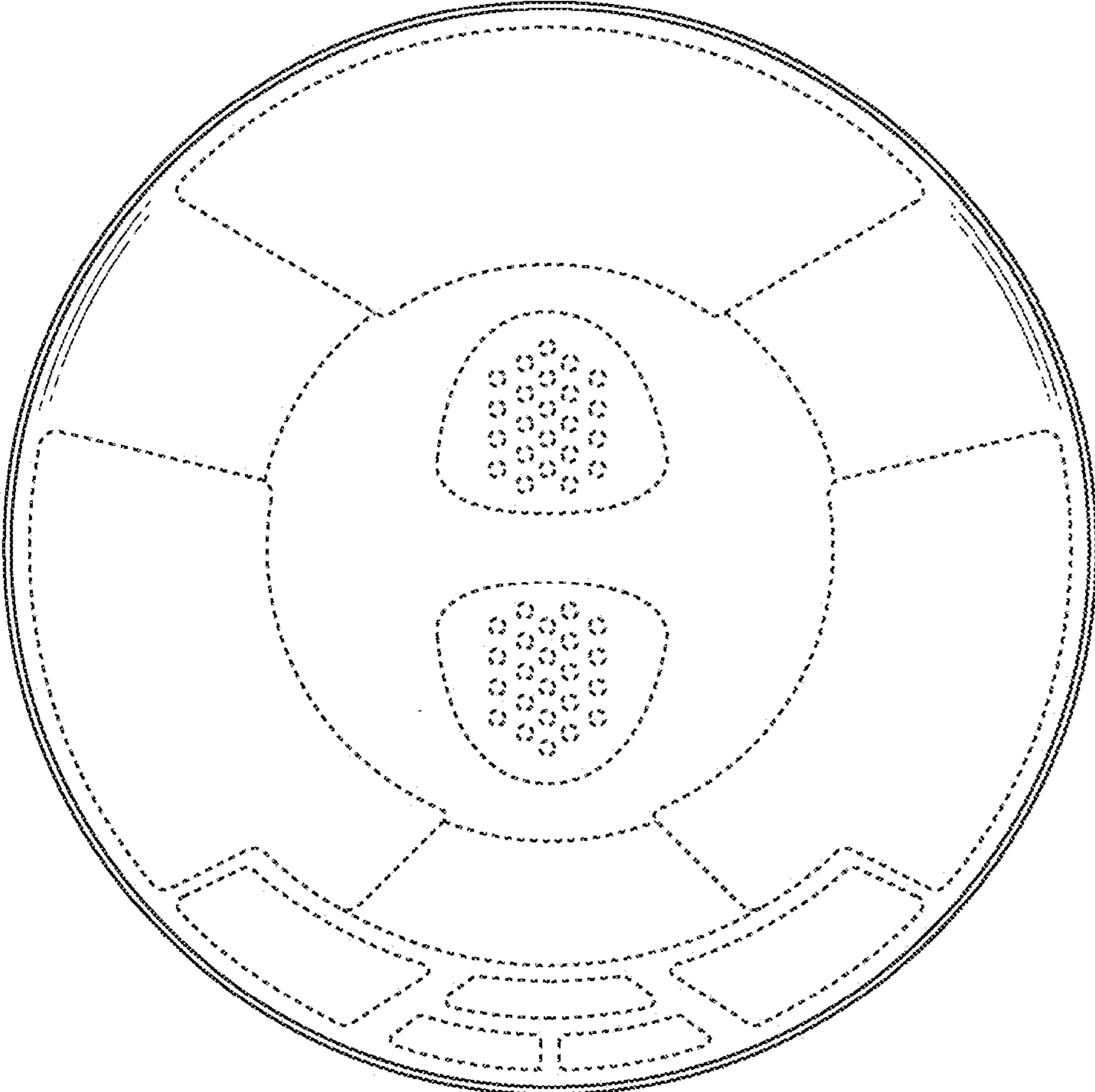


FIG. 2

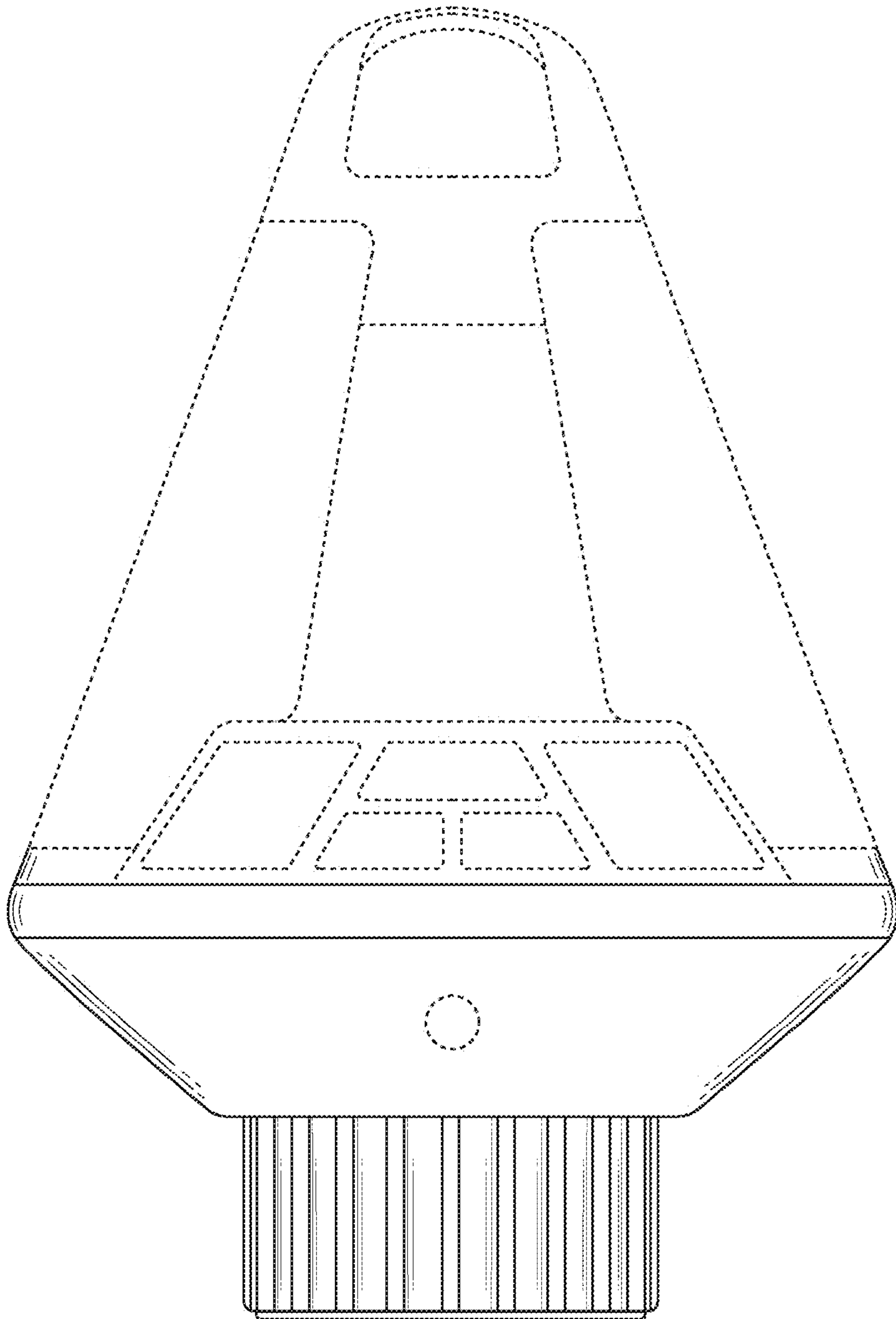


FIG. 3

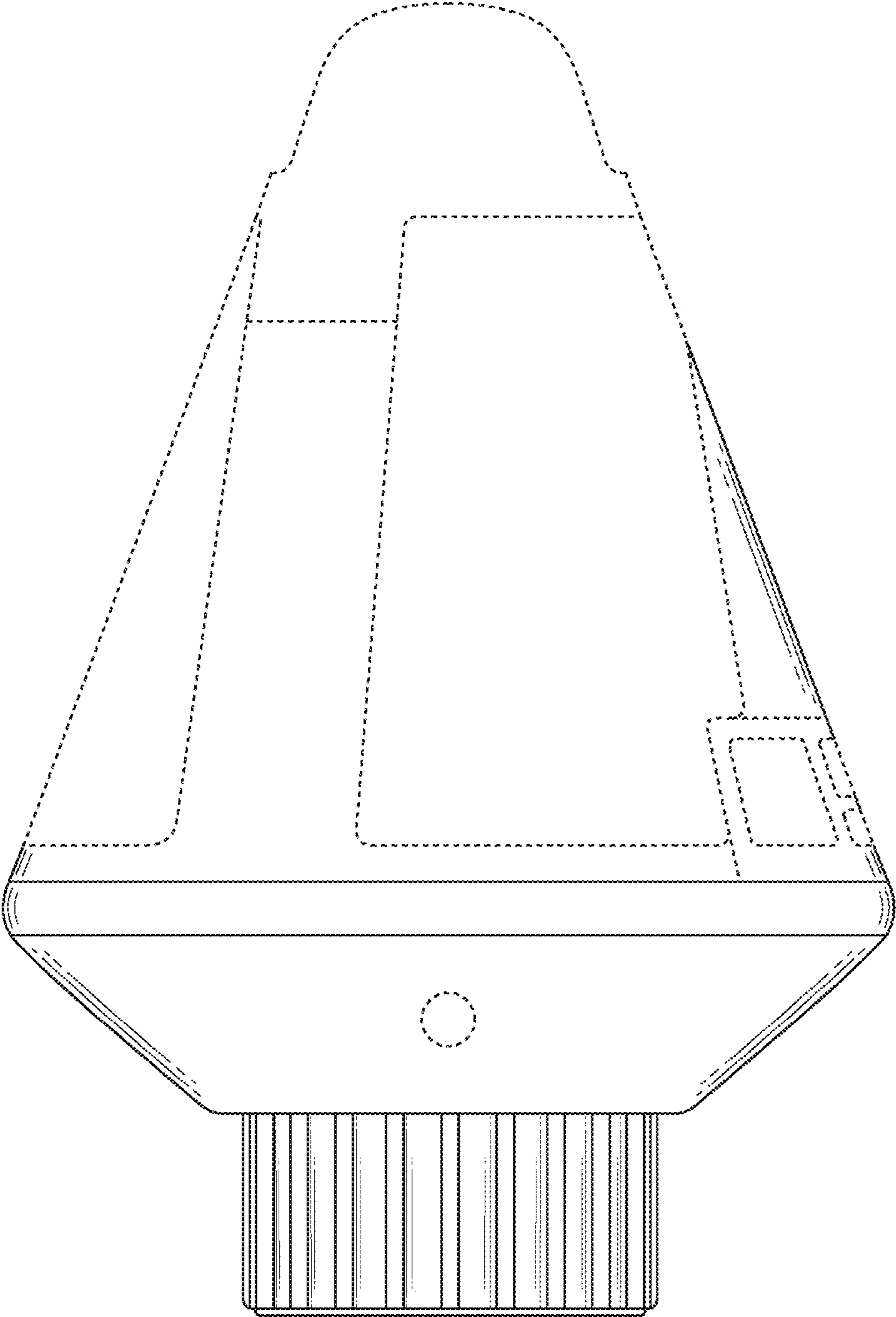


FIG. 4

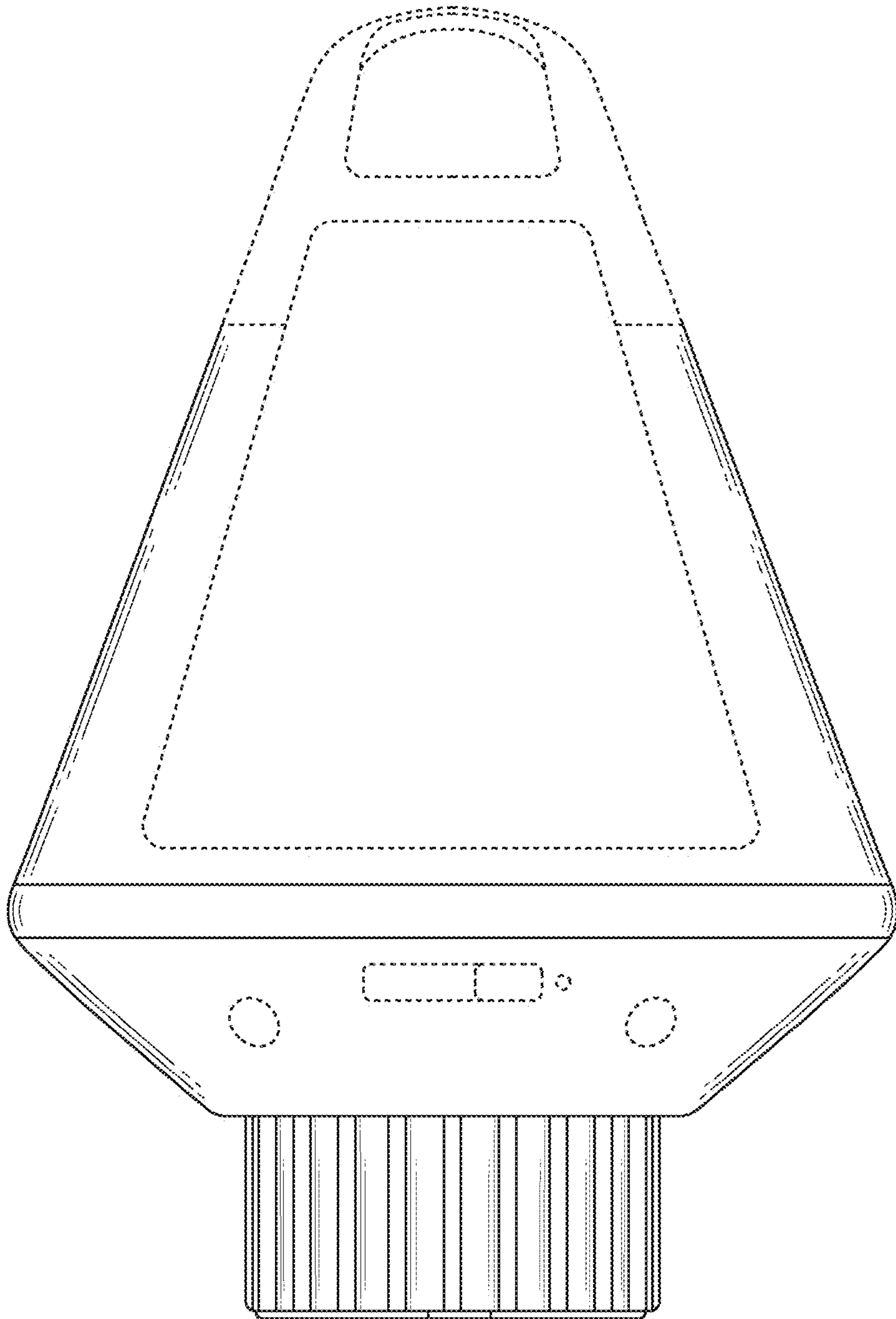


FIG. 5

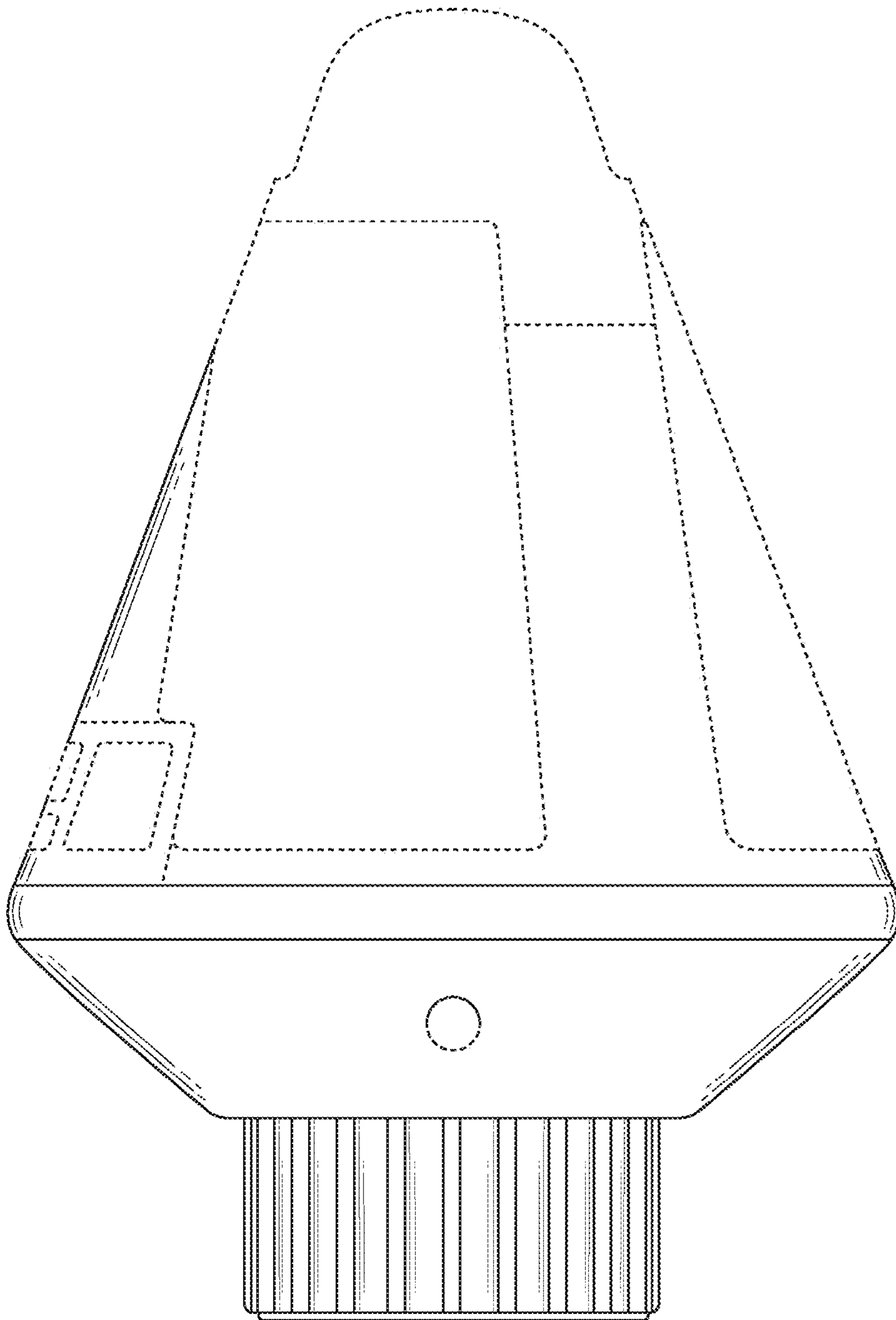


FIG.6

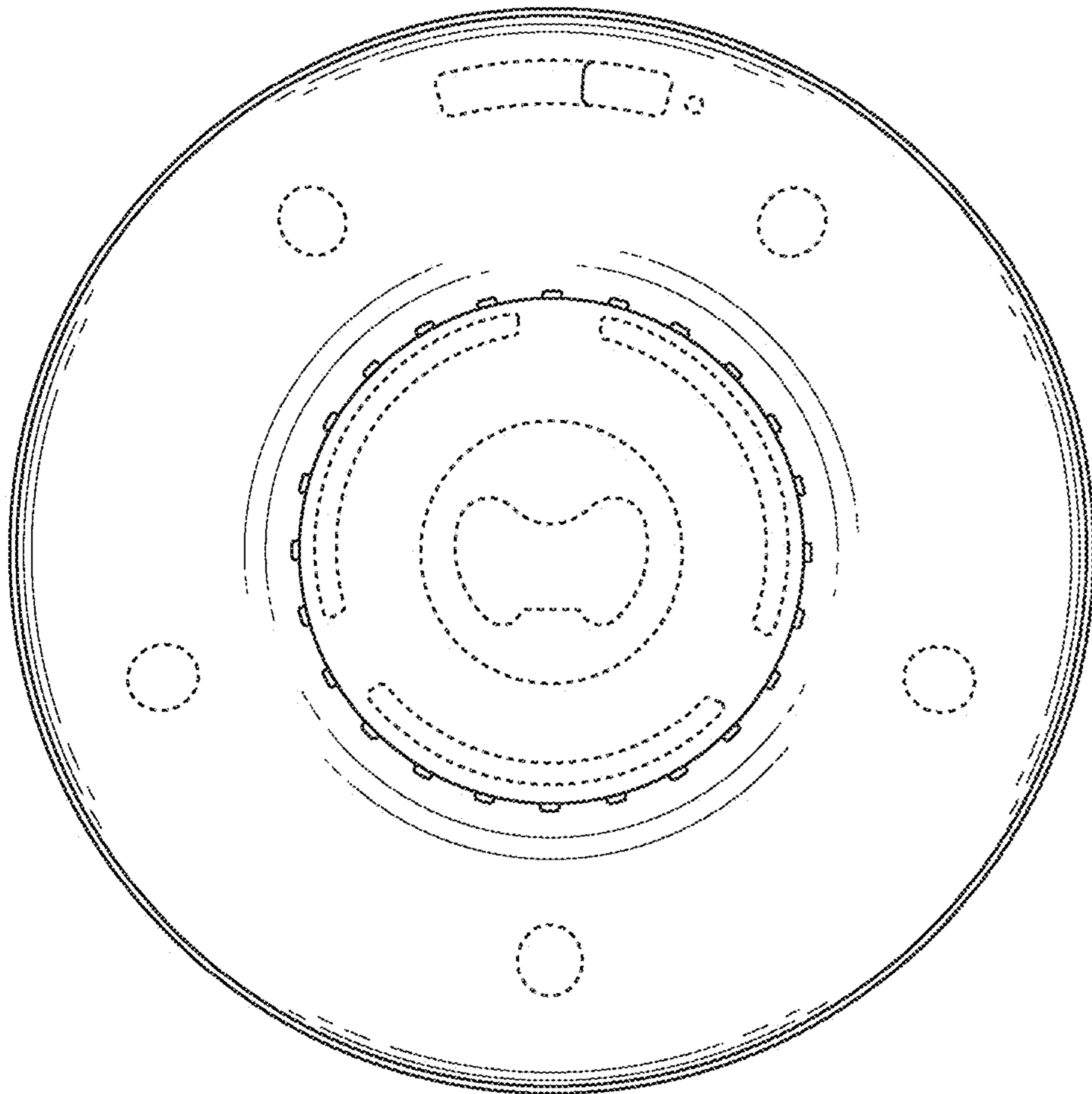


FIG. 7