



US00D918869S

(12) **United States Design Patent**
Choi

(10) **Patent No.:** **US D918,869 S**

(45) **Date of Patent:** **** May 11, 2021**

(54) **SPEAKER**

(71) Applicant: **Samsung Electronics Co., Ltd.**,
Suwon-si (KR)

(72) Inventor: **Gyoo-Sang Choi**, Suwon-si (KR)

(73) Assignee: **Samsung Electronics Co., Ltd.**,
Suwon-si (KR)

(**) Term: **15 Years**

(21) Appl. No.: **29/654,998**

(22) Filed: **Jun. 29, 2018**

(30) **Foreign Application Priority Data**

Jan. 4, 2018 (KR) 30-2018-0000738

(51) **LOC (13) Cl.** **14-01**

(52) **U.S. Cl.**
USPC **D14/214**

(58) **Field of Classification Search**

USPC D14/167, 168, 170–172, 188, 194–196,
D14/204, 209.1, 210–216, 219, 221, 222,
D14/224, 239, 496

CPC B60R 11/0217; G06F 1/1688; G10K 9/22;
G10K 11/004; H03F 1/327; H04M 1/03;
H04M 1/035; H04N 5/642; H04N
21/4852; H04R 1/02; H04R 1/06; H04R
1/021; H04R 1/025; H04R 1/026; H04R
1/028; H04R 1/105; H04R 1/323; H04R
1/403; H04R 1/2803; H04R 1/2834;
H04R 5/02; H04R 7/20; H04R 9/06;
H04R 9/025; H04R 2201/021; H04R
2400/00; H04R 2201/07; H04R 2499/11;
H04R 2499/13; H04R 2499/15; H04S
3/00; H04S 7/30

See application file for complete search history.

(56) **References Cited**

U.S. PATENT DOCUMENTS

D688,231 S * 8/2013 Nishii D14/214
D708,166 S * 7/2014 Lim D14/209.1
D715,257 S 10/2014 Son et al.
D839,239 S * 1/2019 Kim D14/214

(Continued)

FOREIGN PATENT DOCUMENTS

CN 2013300559835 7/2013
CN 2014300269663 8/2014

(Continued)

Primary Examiner — Keli L Hill

(74) *Attorney, Agent, or Firm* — NSIP Law

(57) **CLAIM**

I claim the ornamental design for a speaker, as shown and described.

DESCRIPTION

FIG. 1 is a front perspective view of a speaker showing my new design;

FIG. 2 is a front view thereof;

FIG. 3 is a rear view thereof;

FIG. 4 is a left-side view thereof;

FIG. 5 is a right-side view thereof;

FIG. 6 is a top view thereof;

FIG. 7 is a bottom view thereof;

FIG. 8 is a rear perspective view thereof;

FIG. 9 is an enlarged view of the encircled portion in FIG. 1;

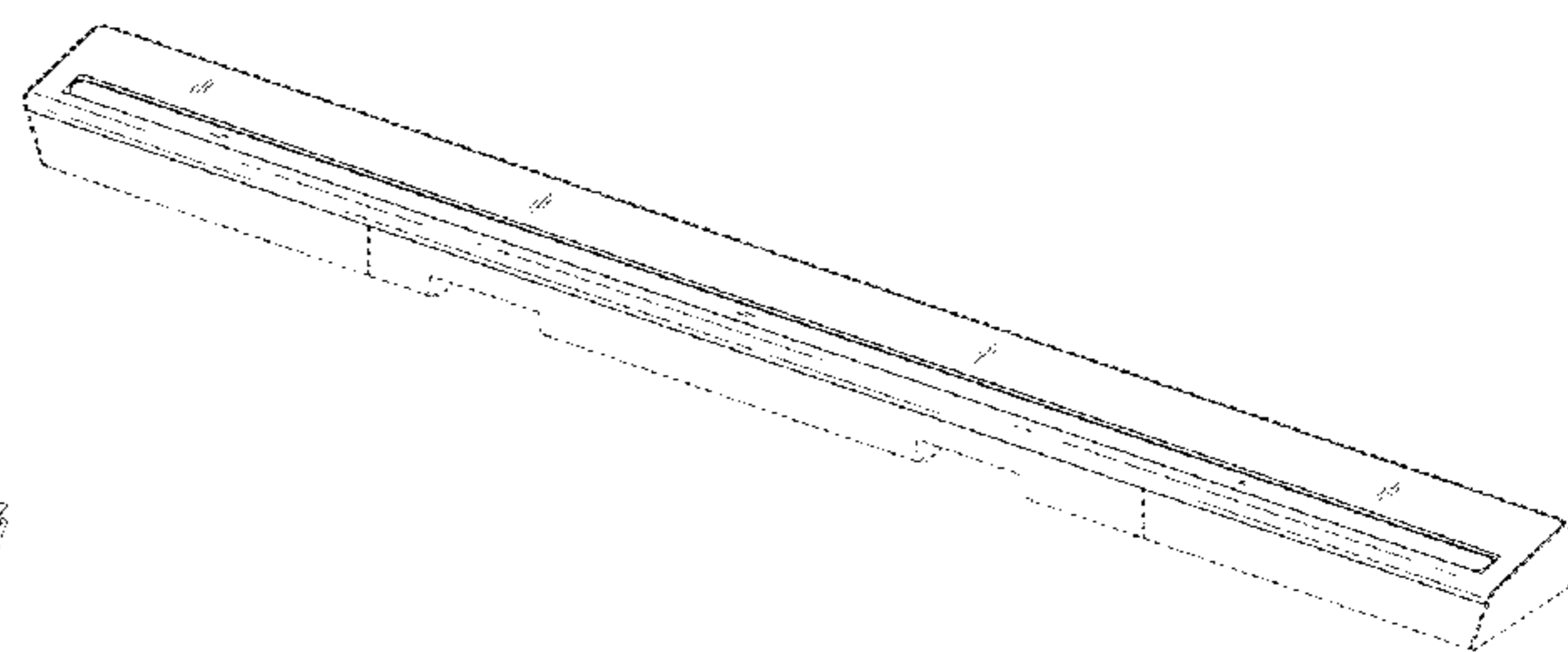
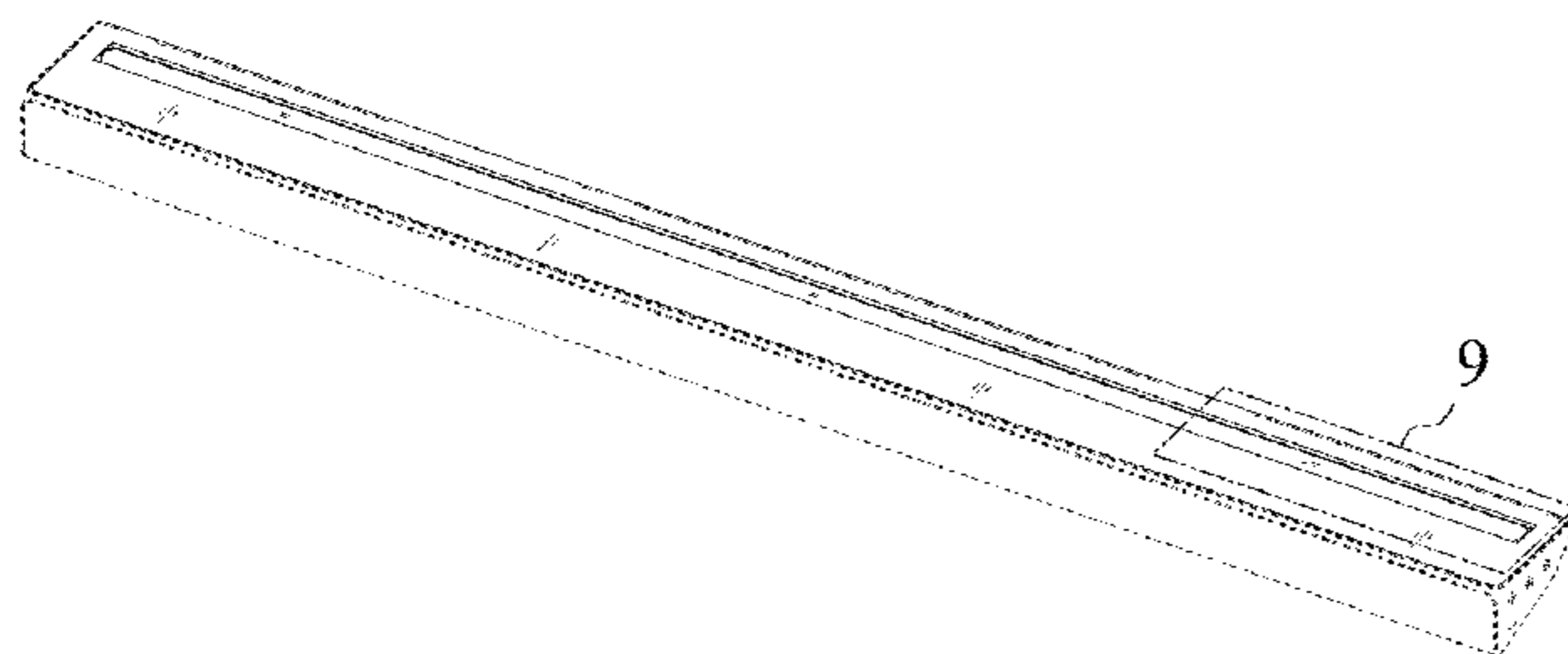
FIG. 10 is another perspective view thereof with unclaimed speaker grille; and,

FIG. 11 is an enlarged view of the encircled portion in FIG. 10.

The evenly spaced broken lines in the figures depict portions of the speaker which form no part of the claimed design.

The dot-dot-dash broken lines encircling portions of the claimed design that are illustrated in enlargements form no part of the claimed design.

1 Claim, 11 Drawing Sheets



(56)

References Cited

U.S. PATENT DOCUMENTS

D839,854 S * 2/2019 Kim D14/214
D861,640 S * 10/2019 Werle D14/214
D861,642 S * 10/2019 Werle D14/214
D864,160 S * 10/2019 Bang D14/214
D877,120 S * 3/2020 Choi D14/214
D886,076 S * 6/2020 Zhao D14/204
D896,778 S * 9/2020 Choi D14/204
D903,629 S * 12/2020 Trasmonte D14/204
D906,278 S * 12/2020 Laine D14/204

FOREIGN PATENT DOCUMENTS

CN 2015300829890 10/2015
KR 30-2013-0000743 1/2014

* cited by examiner

FIG. 1

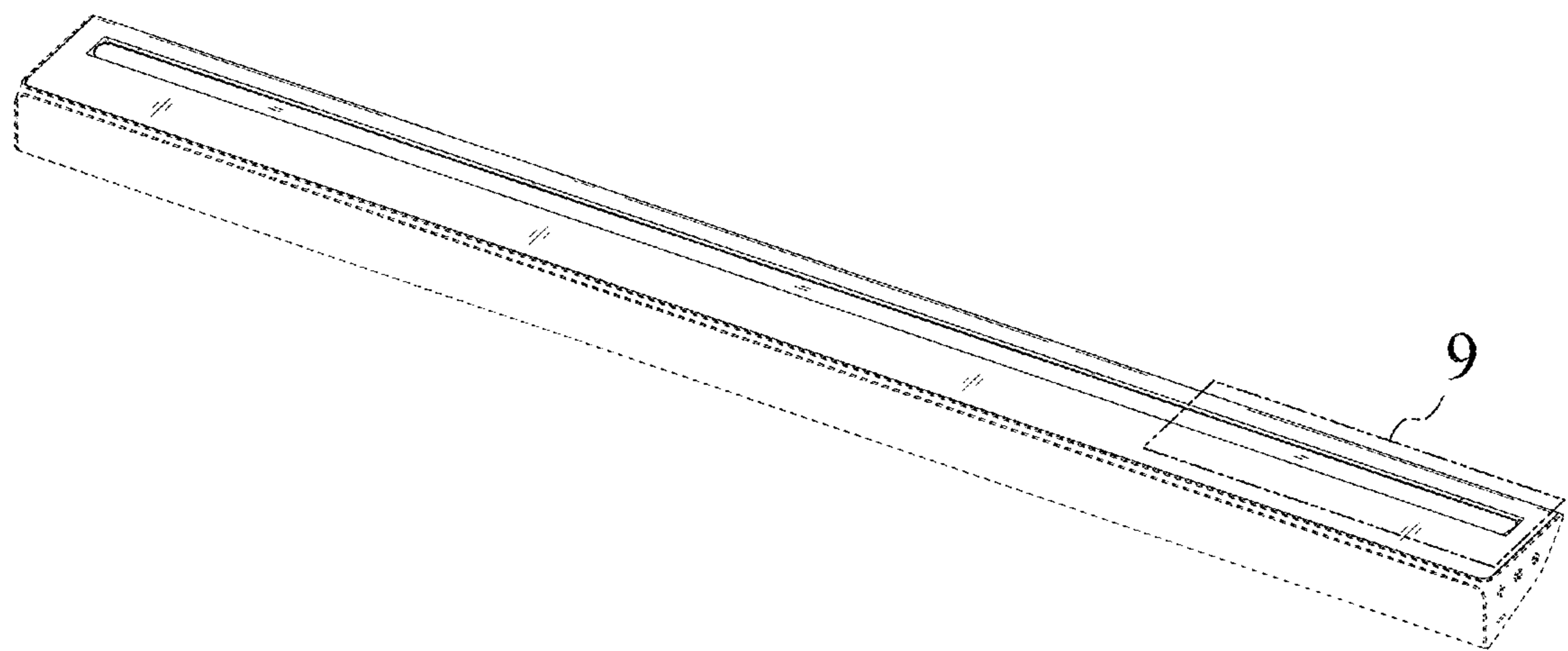


FIG. 2

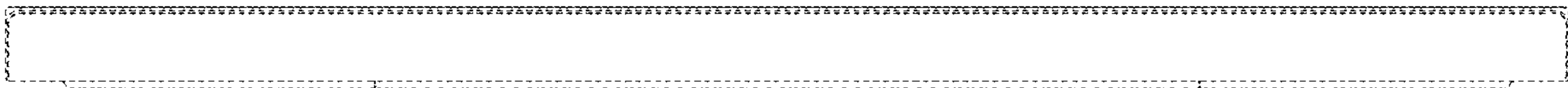


FIG. 3

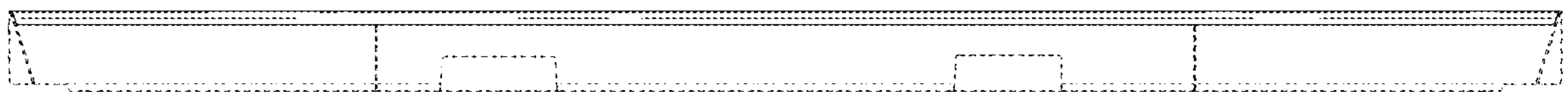


FIG. 4

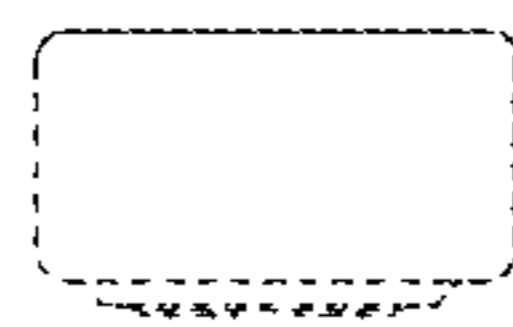


FIG. 5

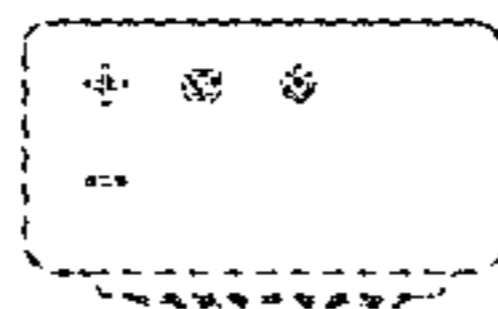


FIG. 6

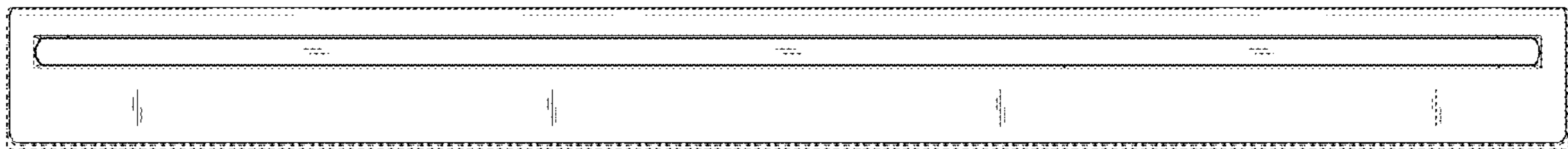


FIG. 7

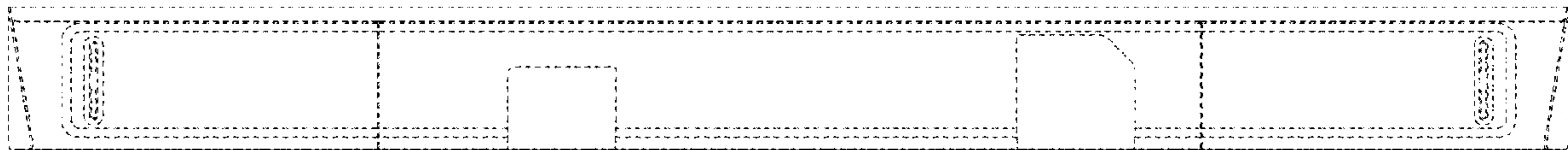


FIG. 8

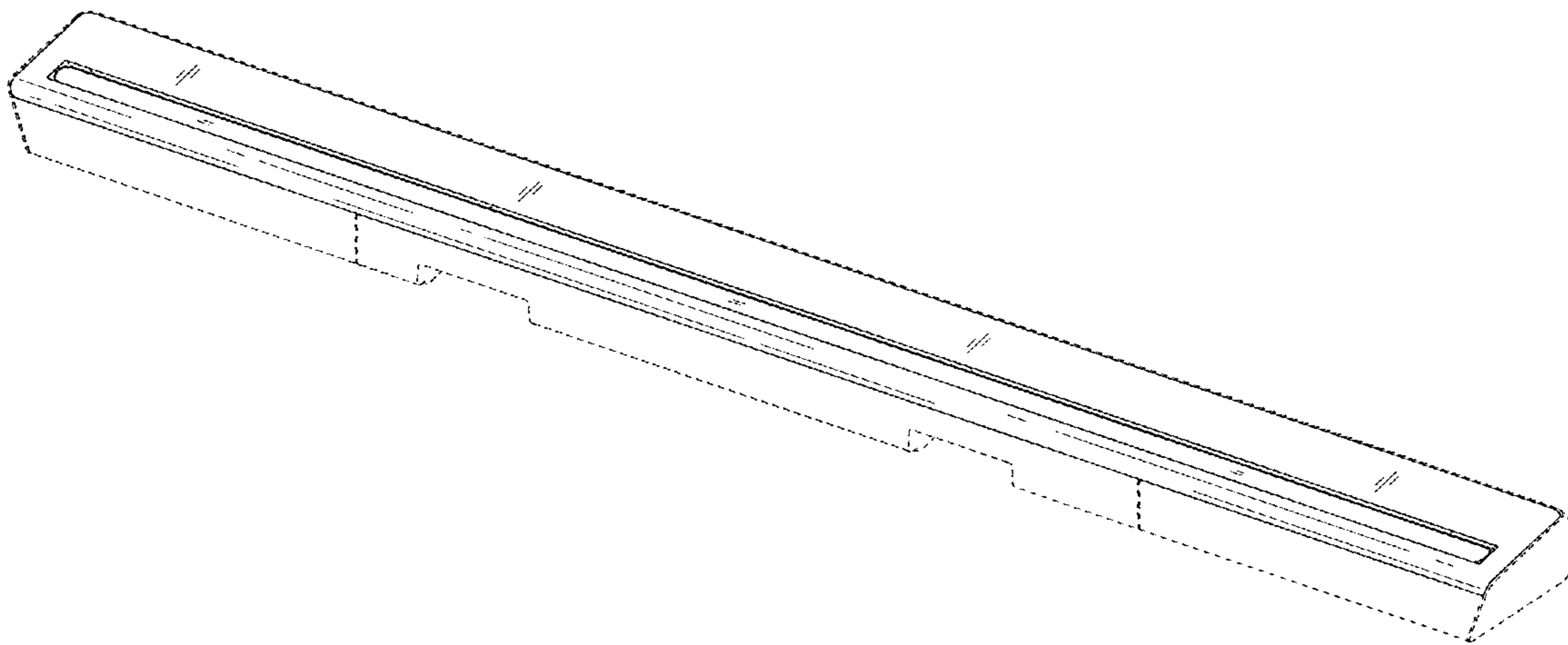


FIG. 9

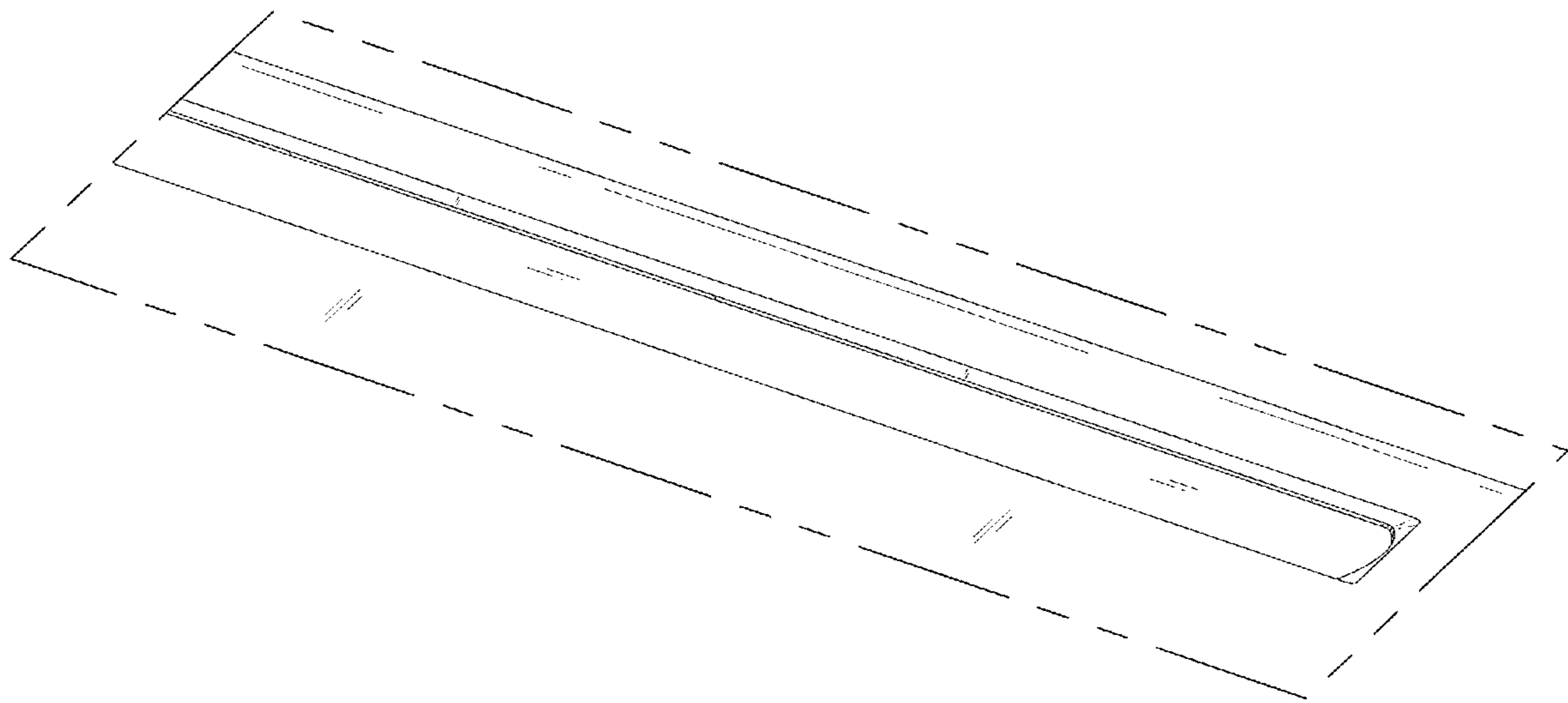


FIG. 10

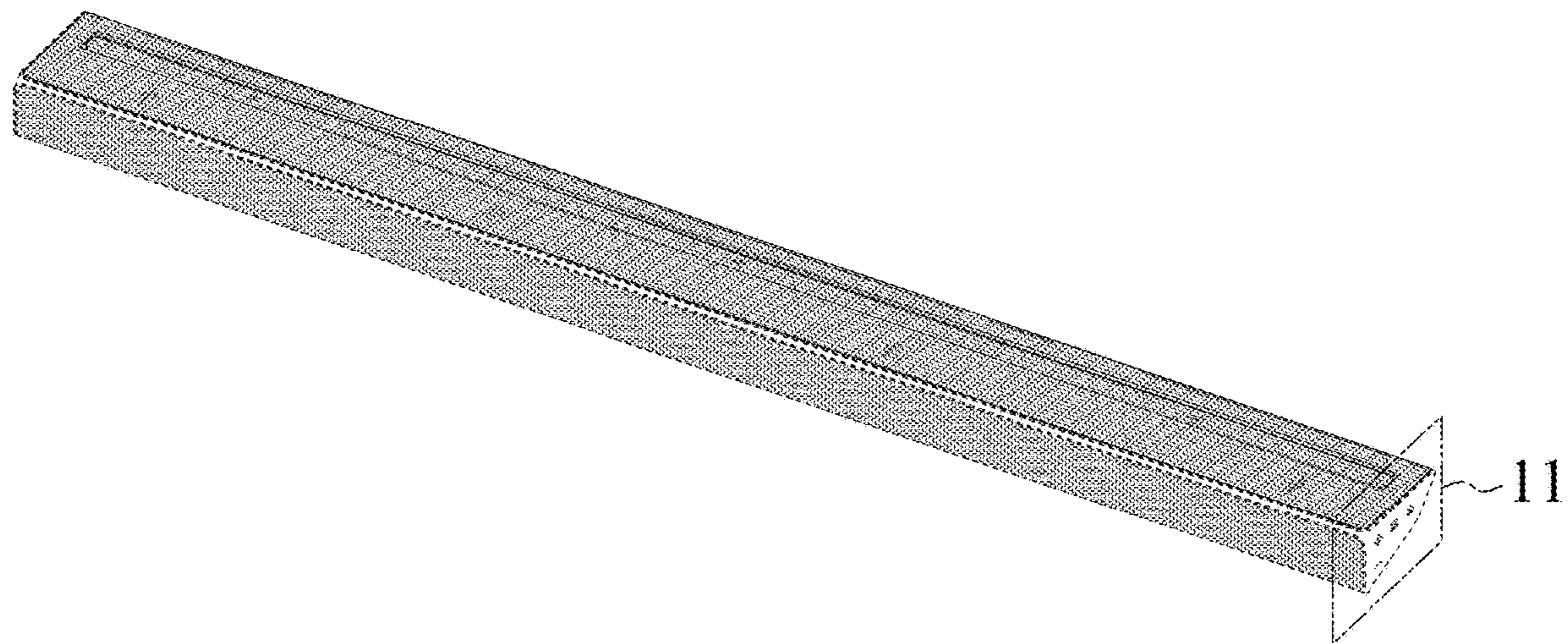


FIG. 11

