



US00D918863S

(12) **United States Design Patent** (10) **Patent No.:** **US D918,863 S**
Matarese et al. (45) **Date of Patent:** **** *May 11, 2021**

(54) **SPEAKER DEVICE**

(71) Applicant: **Google LLC**, Mountain View, CA (US)

(72) Inventors: **Nicholas Matarese**, San Francisco, CA (US); **David Chenell**, Sunnyvale, CA (US); **Jung Geun Tak**, Millbrae, CA (US); **Maj Isabelle Olsson**, Sunnyvale, CA (US); **Katherine Morgenroth**, Los Gatos, CA (US); **Livius Dumitru Chebeleu**, San Jose, CA (US); **Kristen Mangum**, San Mateo, CA (US); **Carl Cepress**, Mountain View, CA (US); **Anna Knutson**, San Francisco, CA (US)

(73) Assignee: **GOOGLE LLC**, Mountain View, CA (US)

(*) Notice: This patent is subject to a terminal disclaimer.

(**) Term: **15 Years**

(21) Appl. No.: **29/721,105**

(22) Filed: **Jan. 17, 2020**

Related U.S. Application Data

(63) Continuation of application No. 29/621,001, filed on Oct. 3, 2017, now Pat. No. Des. 886,766, which is a (Continued)

(51) **LOC (13) Cl.** **14-01**

(52) **U.S. Cl.**
USPC **D14/204**

(58) **Field of Classification Search**
USPC D14/188, 203.1, 203.3, 204, 210–216, D14/219, 221, 356, 363, 365–368, 496; 181/143, 144, 148, 153, 157, 198, 199; 369/6–12; 381/300–303, 361–364, 381/386–388

(Continued)

(56) **References Cited**

U.S. PATENT DOCUMENTS

D269,249 S 6/1983 Cillario
D310,243 S 8/1990 Evenson
(Continued)

FOREIGN PATENT DOCUMENTS

CN 304261281 S 8/2012
JP 1575144 S 5/2017
JP 1594394 S 1/2018

OTHER PUBLICATIONS

Monbento Original Bento Box, announced Mar. 11, 2013, [online], site visited Jul. 15, 2019. Available from Internet, URL: <http://www.amazon.com> (Year: 2013).

(Continued)

Primary Examiner — Janice Patyk

(74) *Attorney, Agent, or Firm* — Leason Ellis LLP

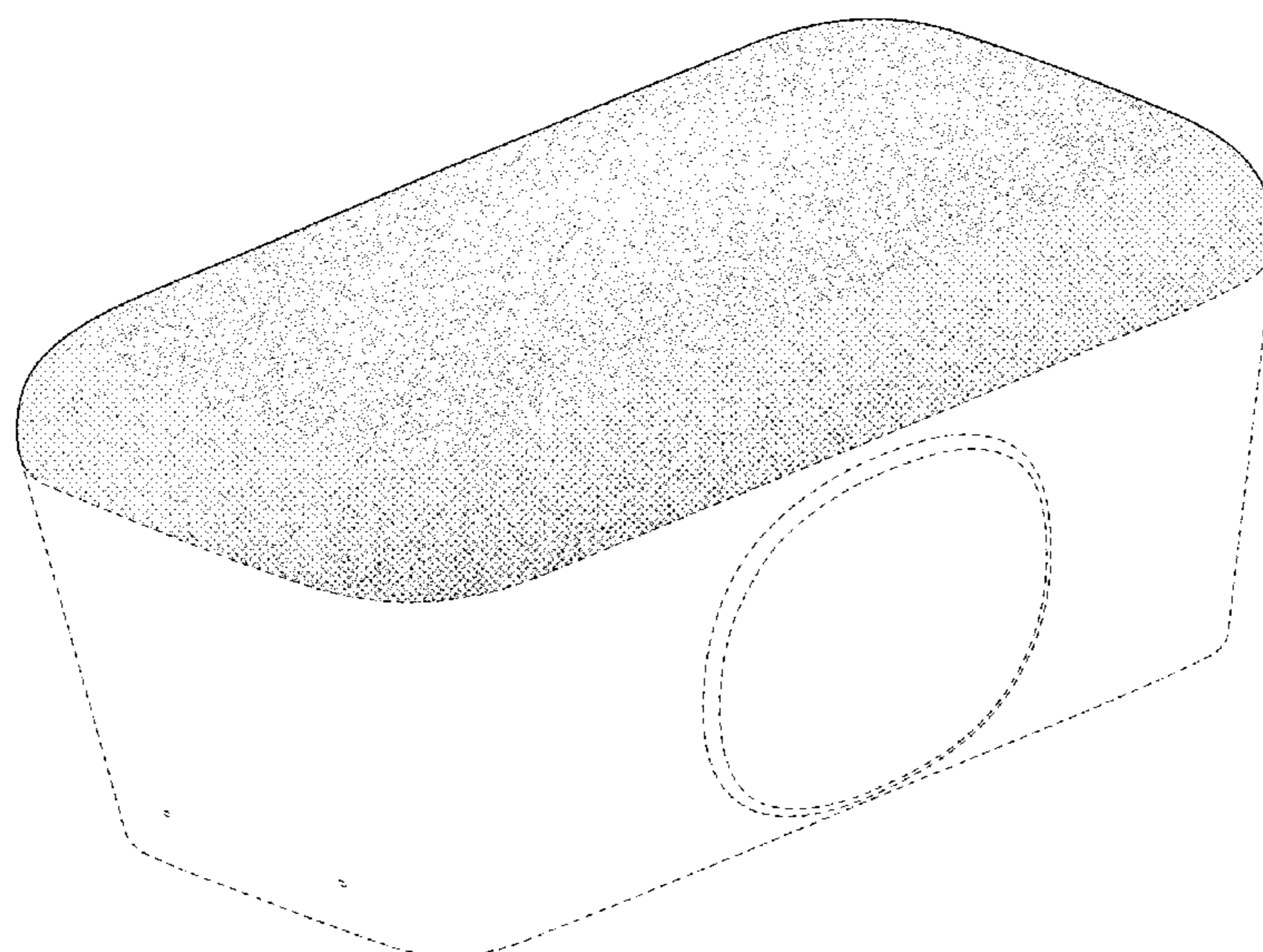
(57) **CLAIM**

The ornamental design for a speaker device, as shown and described.

DESCRIPTION

FIG. 1 is a front perspective view of a speaker device showing our new design;
FIG. 2 is a front elevational view thereof;
FIG. 3 is a rear elevational view thereof;
FIG. 4 is a right-side elevational view thereof;
FIG. 5 is a left-side elevational view thereof;
FIG. 6 is a top plan view thereof; and,
FIG. 7 is a bottom plan view thereof.
The broken lines in the figures illustrate the portions of the design that form no part of the claimed design.

1 Claim, 4 Drawing Sheets



Related U.S. Application Data

continuation-in-part of application No. 29/615,773, filed on Aug. 31, 2017, now abandoned, and a continuation-in-part of application No. 29/615,769, filed on Aug. 31, 2017, now abandoned.

(58) **Field of Classification Search**

CPC H04R 1/02; H04R 1/021; H04R 1/023; H04R 5/00; H04R 9/06; H04R 2420/07
See application file for complete search history.

(56) **References Cited**

U.S. PATENT DOCUMENTS

D360,417 S	7/1995	Mark	
D409,150 S	5/1999	Davis et al.	
D416,233 S	11/1999	Tsai	
D483,281 S	* 12/2003	Cobigo	D10/104.1
D484,853 S	1/2004	Alviar	
D494,633 S	8/2004	Nussberger et al.	
D496,004 S	9/2004	Borsboom	
D510,926 S	10/2005	Jerome	
D518,030 S	3/2006	Lin	
D536,692 S	2/2007	Alwicker et al.	
D557,624 S	* 12/2007	Coster	D10/70
D558,977 S	* 1/2008	Peart	D3/294
D564,694 S	3/2008	Southern, Jr.	
D574,834 S	8/2008	Chen	
D577,009 S	9/2008	Wilson et al.	
D578,105 S	10/2008	Komiyama	
D579,952 S	11/2008	Yamada	
D587,239 S	2/2009	Raisanen et al.	
D590,812 S	4/2009	Muraoka et al.	
D601,150 S	9/2009	Romero	
D602,019 S	10/2009	Wang et al.	
D628,537 S	12/2010	Nagata et al.	
D632,265 S	2/2011	Choi et al.	
D637,306 S	5/2011	Feuerabend et al.	
D639,783 S	6/2011	Murayama et al.	
D664,932 S	8/2012	Sedic	

D666,575 S	9/2012	Marsh	
D674,688 S	* 1/2013	Loftin	D9/428
D674,786 S	1/2013	Park	
D675,434 S	* 2/2013	Vernall	D3/294
D678,285 S	3/2013	Chen	
D702,185 S	4/2014	Yata et al.	
D709,504 S	7/2014	Breines	
D713,788 S	9/2014	Hasegawa et al.	
D727,907 S	4/2015	Higashi	
D731,334 S	6/2015	Fiedler et al.	
D731,489 S	6/2015	Langhammer et al.	
D735,476 S	8/2015	Duvigneau	
D738,858 S	9/2015	Tuhkanen	
D739,845 S	9/2015	Hwang	
D740,018 S	* 10/2015	Zhang	D3/201
D743,398 S	11/2015	Smith et al.	
D747,984 S	1/2016	Zhao et al.	
D755,790 S	5/2016	Salvatori et al.	
D756,330 S	* 5/2016	Silvera	D14/204
D757,011 S	5/2016	Sakai	
D766,827 S	9/2016	Chen et al.	
D782,485 S	3/2017	Cai	
D794,029 S	8/2017	Lin	
D798,490 S	* 9/2017	Haines	D26/104
D800,068 S	10/2017	Kim	
D806,711 S	1/2018	Sakaguchi et al.	
D807,290 S	1/2018	Liao	
D810,748 S	2/2018	Zhang	
D810,749 S	2/2018	Zhang	
D813,873 S	3/2018	Pathak et al.	
9,935,408 B1	4/2018	Pathak et al.	
D832,260 S	10/2018	Hutton et al.	
D886,766 S	* 6/2020	Matarese	D14/204
2012/0062483 A1	3/2012	Ciesla et al.	
2014/0139466 A1	5/2014	Sakaguchi et al.	

OTHER PUBLICATIONS

Notice of Grant for Japanese Design Patent Application No. 2017-027443, dated Jul. 10, 2018, 3 Pages.

* cited by examiner

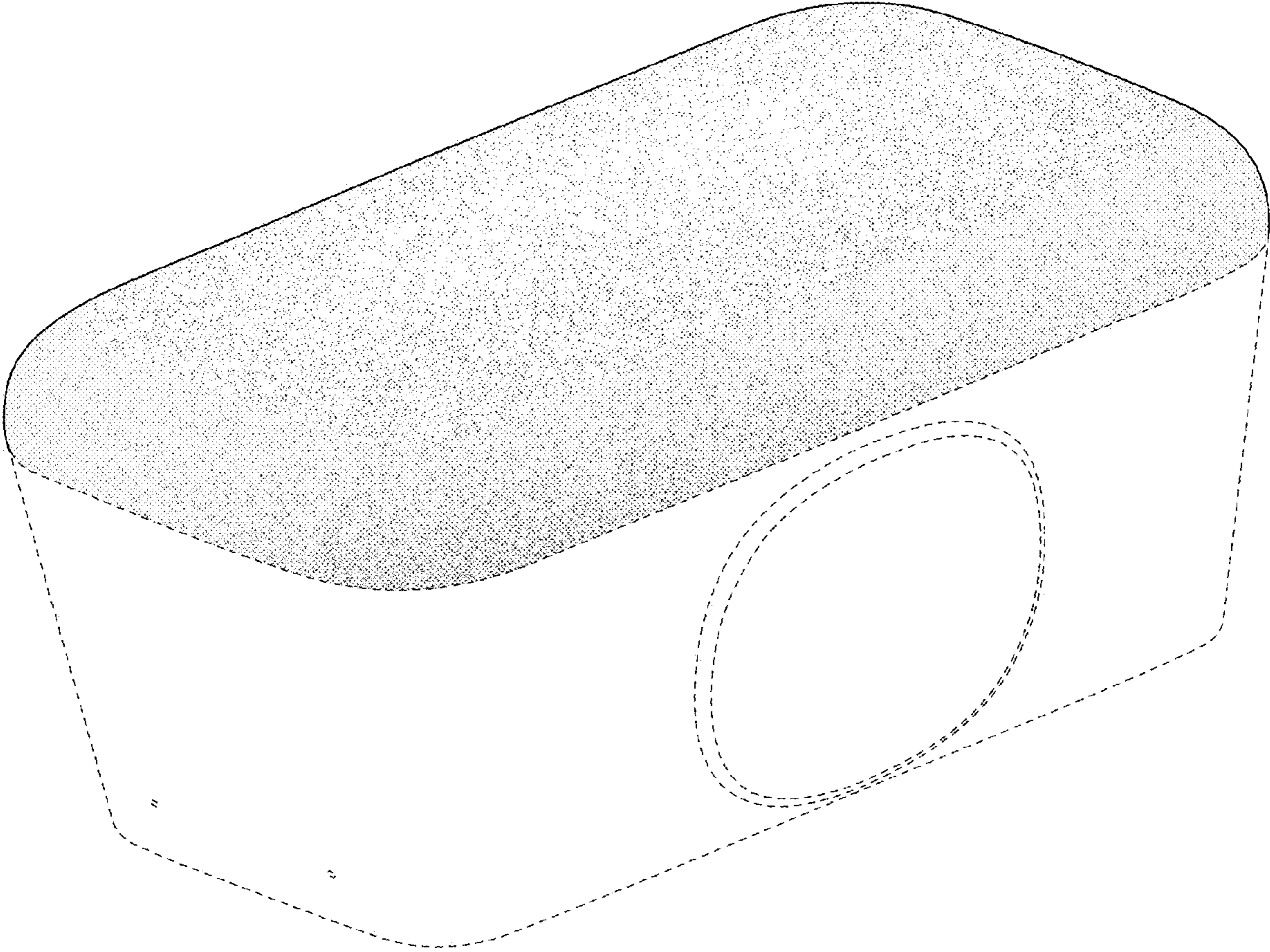


FIG . 1

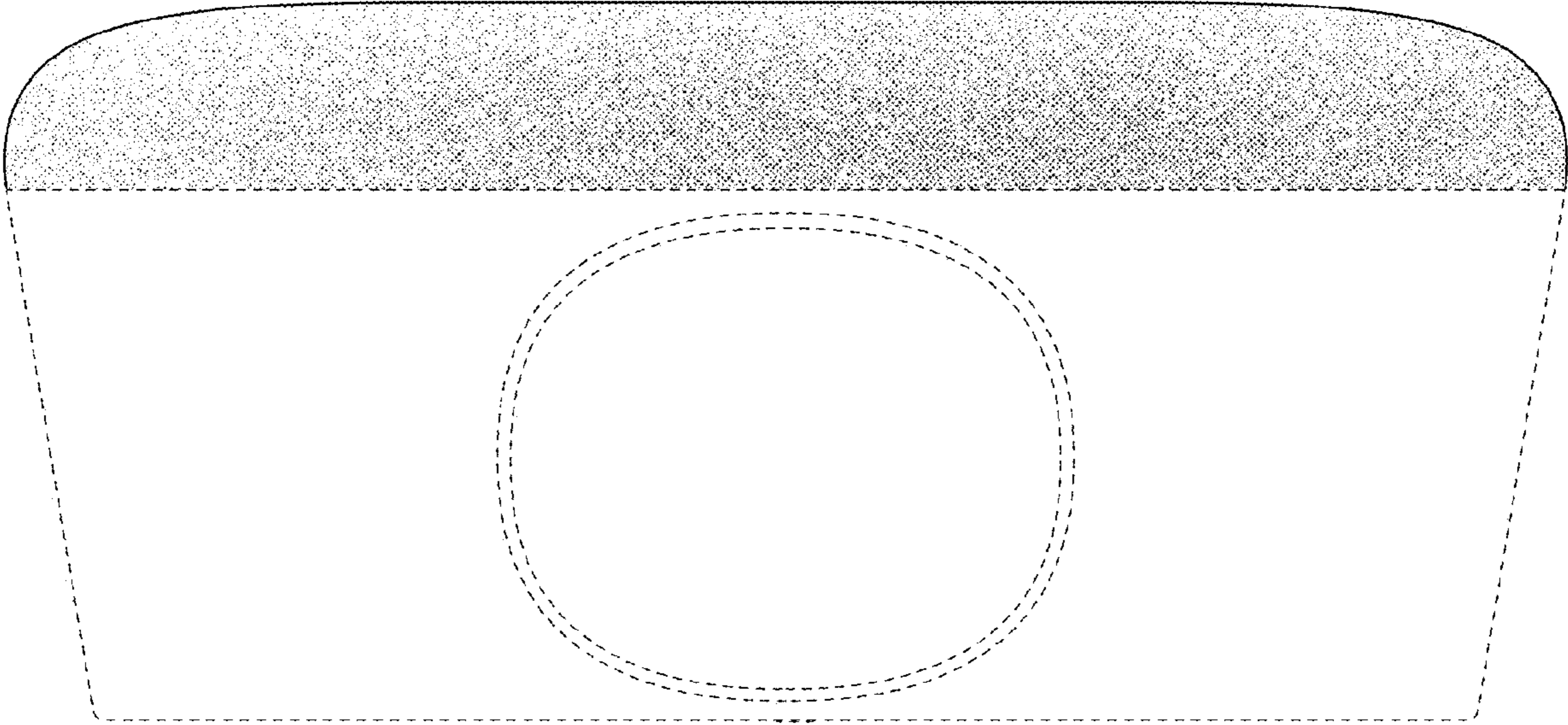


FIG . 2

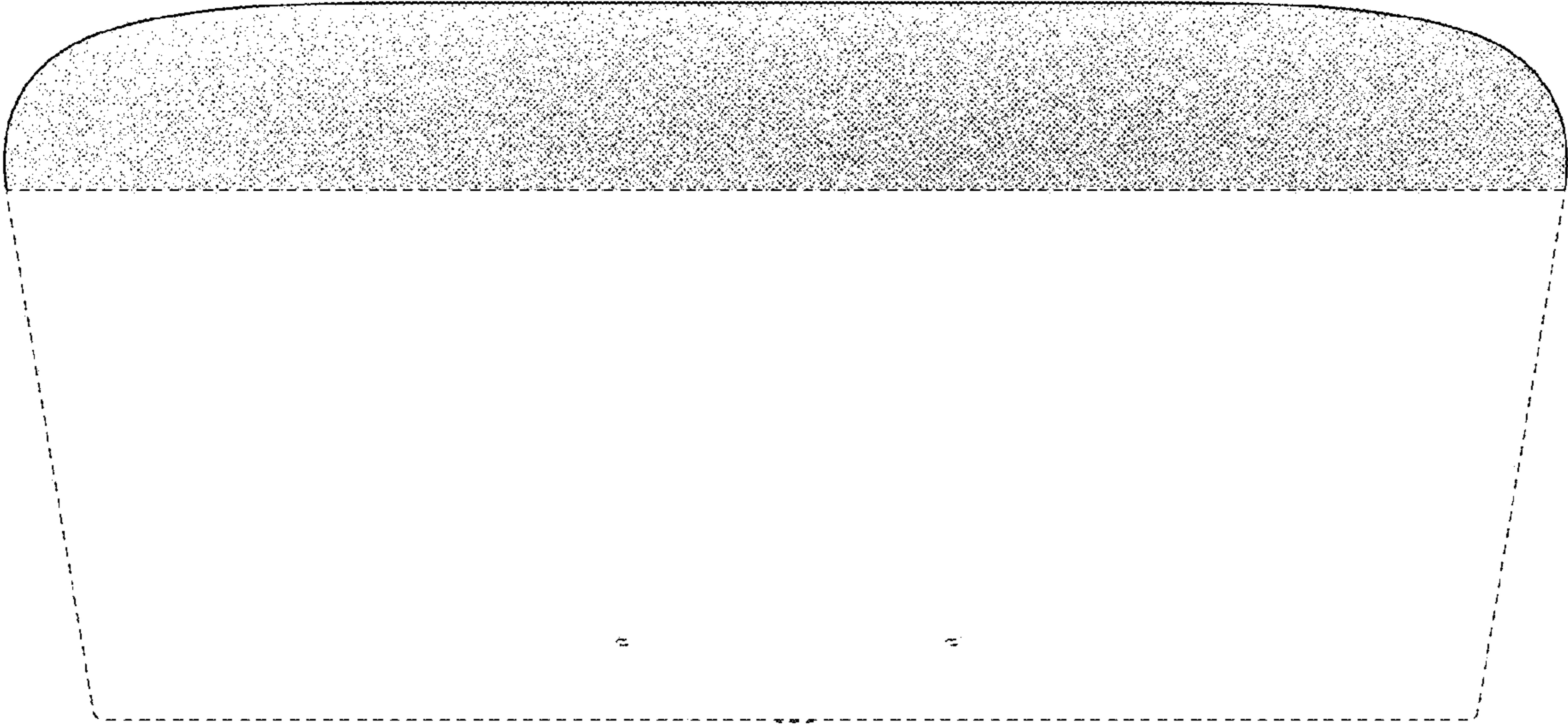


FIG . 3

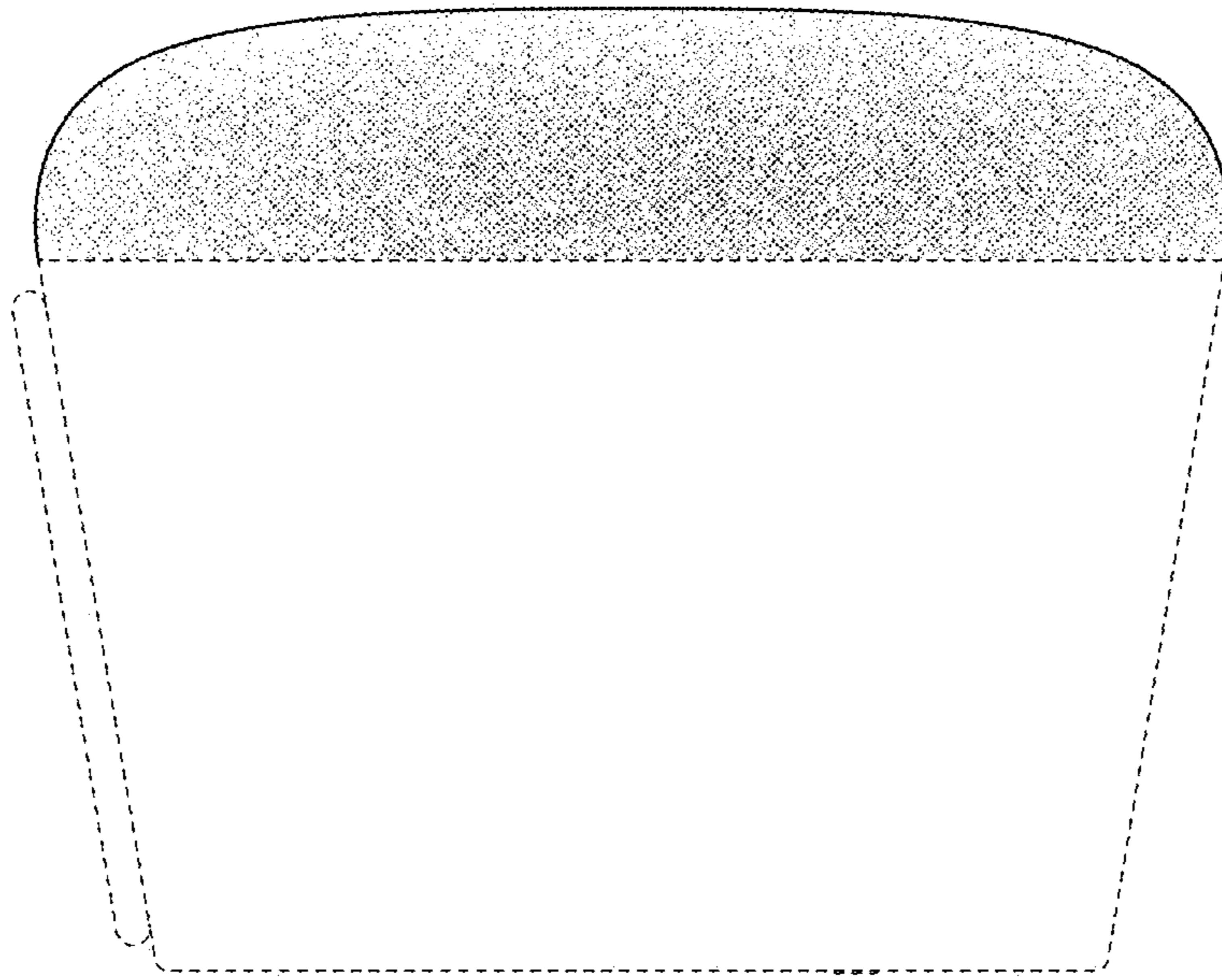


FIG . 4

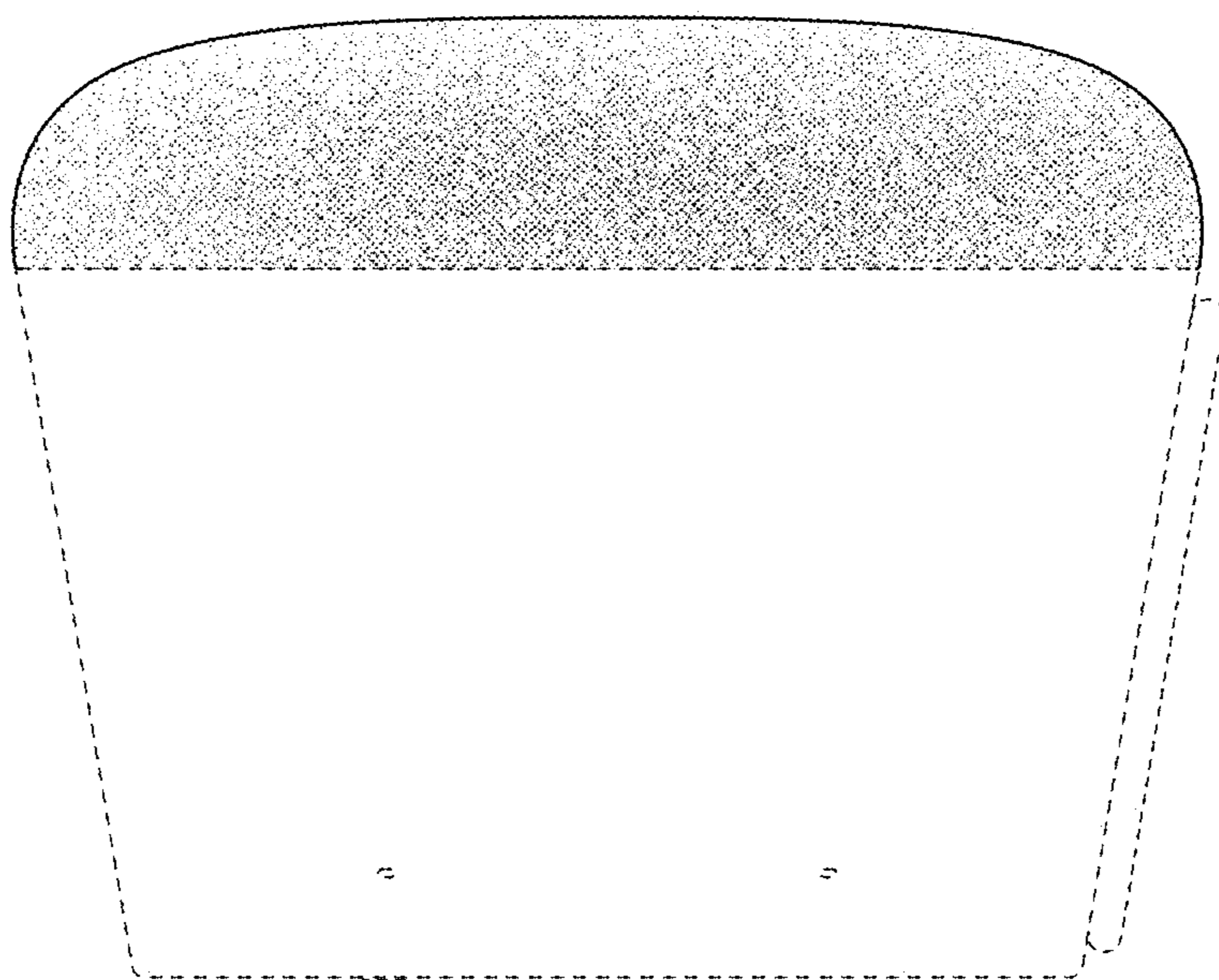


FIG . 5

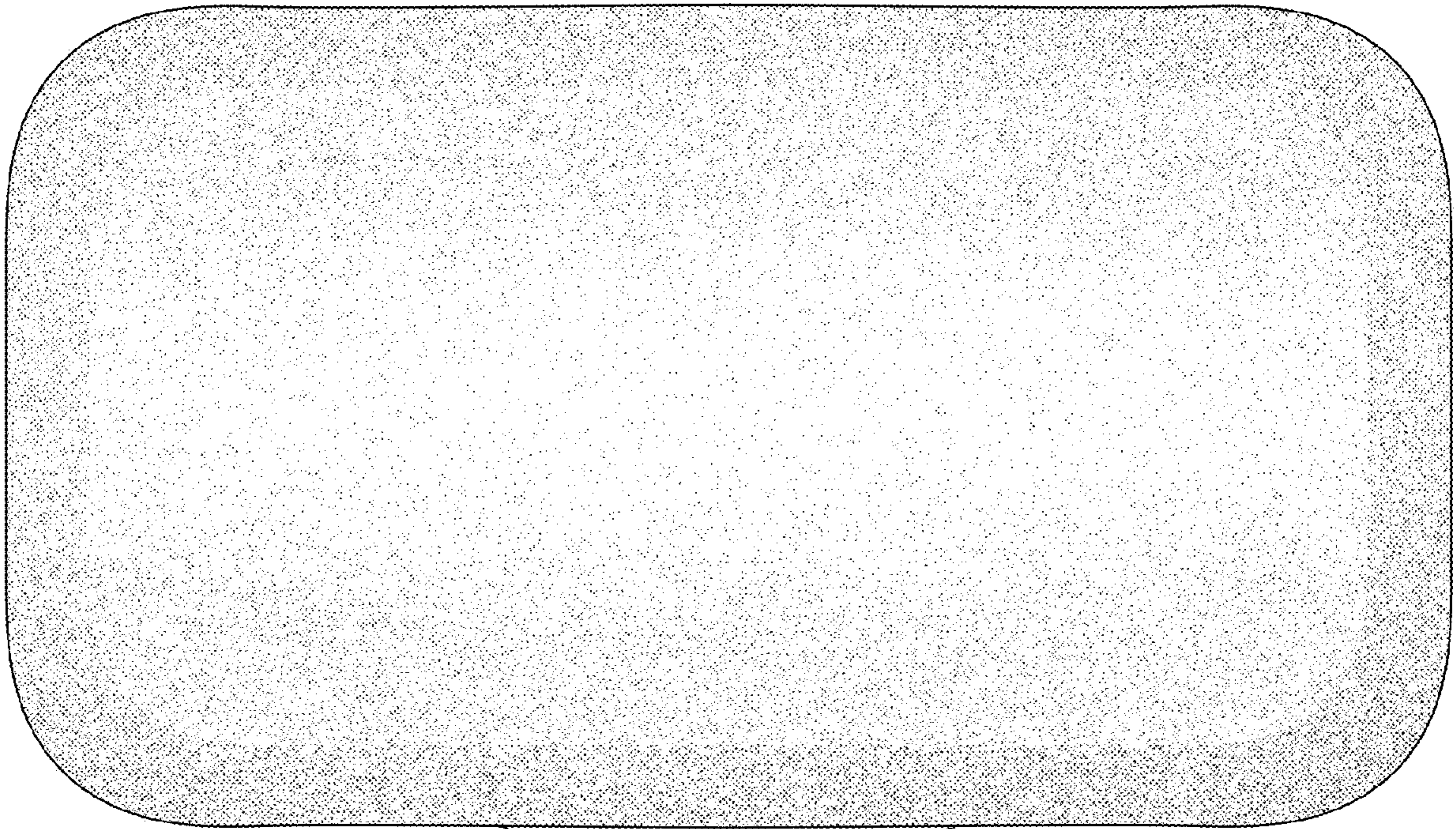


FIG . 6

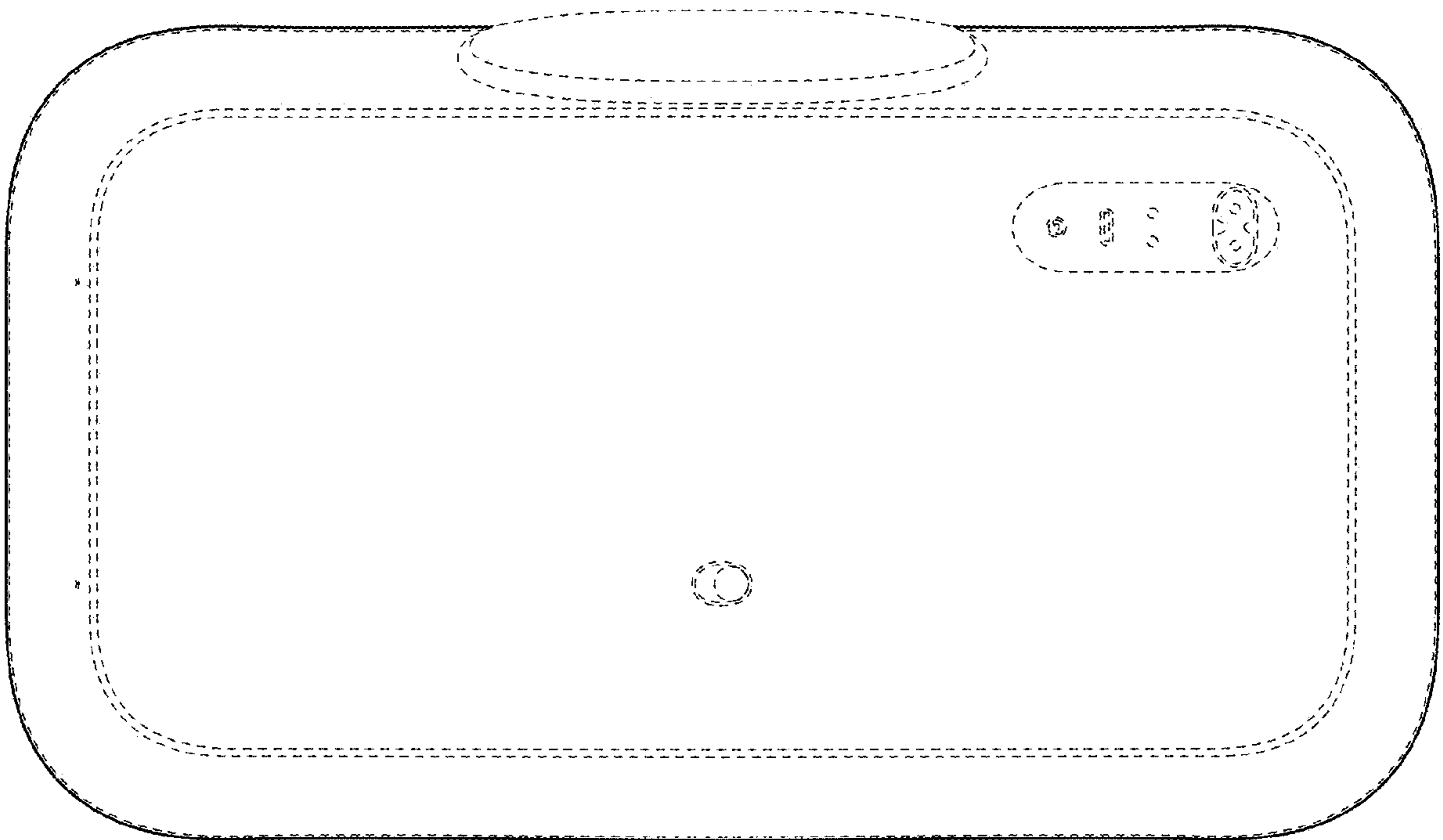


FIG . 7