



US00D918862S

(12) **United States Design Patent**  
**Feng**

(10) **Patent No.:** **US D918,862 S**

(45) **Date of Patent:** **\*\* May 11, 2021**

(54) **LOUDSPEAKER**

(71) Applicant: **Shenzhen Great Power Innovation and Technology Enterprise Co., Ltd.**,  
Shenzhen (CN)

(72) Inventor: **Winston Feng**, Shenzhen (CN)

(73) Assignee: **Shenzhen Great Power Innovation and Technology Enterprise Co., Ltd.**

(\*\*) Term: **15 Years**

(21) Appl. No.: **29/716,077**

(22) Filed: **Dec. 6, 2019**

(51) **LOC (13) Cl.** ..... **14-01**

(52) **U.S. Cl.**  
USPC ..... **D14/204**; D14/216

(58) **Field of Classification Search**  
USPC ..... D14/155–159, 160–173, 187–188,  
D14/203.1–203.8, 204–216, 217–222,  
D14/225–229, 496

CPC ..... H04R 1/02; H04R 1/021; H04R 1/023;  
H04R 5/00; H04R 9/06; H04R 2420/07

See application file for complete search history.

(56) **References Cited**

**U.S. PATENT DOCUMENTS**

- 3,812,301 A \* 5/1974 Lahti ..... H04R 1/021  
381/341
- D642,157 S \* 7/2011 Holzer ..... D14/209.1
- 8,457,339 B2 \* 6/2013 Li ..... H04R 1/2811  
381/337
- D756,326 S \* 5/2016 Holzer ..... D14/171
- D765,617 S \* 9/2016 Mackiewicz ..... D14/216
- D793,869 S \* 8/2017 Jeon ..... D10/2
- D866,519 S \* 11/2019 Yanjie ..... D14/216
- D866,553 S \* 11/2019 Miura ..... D14/388
- D878,323 S \* 3/2020 Guo ..... D14/171
- D884,673 S \* 5/2020 Han ..... D14/216

- D891,393 S \* 7/2020 Lalvani ..... D14/204
- D892,076 S \* 8/2020 Wu ..... D14/204
- 2008/0137880 A1 \* 6/2008 Mills ..... H04R 1/026  
381/79

**FOREIGN PATENT DOCUMENTS**

CN 305452897 \* 11/2019

**OTHER PUBLICATIONS**

BT Speaker Colors LED Lights Wireless Portable Subwoofer, date not available, [retrieved Dec. 16, 2020], Retrieved from Internet, URL: <<https://www.walmart.com/ip/BT-Speaker-Colors-LED-Lights-Wireless-Portable-Subwoofer-With-Mic-FM-Yellow/603958024?wmlspartner=wlpa&selecte%E2%80%A6>> (Year: 2020).\*

\* cited by examiner

*Primary Examiner* — Barbara Fox

*Assistant Examiner* — Aram Kwon

(57) **CLAIM**

The ornamental design for a loudspeaker, as shown and described.

**DESCRIPTION**

FIG. 1 is a front view of a loudspeaker, showing my new design;

FIG. 2 is a back view thereof;

FIG. 3 is a left side view thereof;

FIG. 4 is a right side view thereof;

FIG. 5 is a top view thereof;

FIG. 6 is a bottom view thereof;

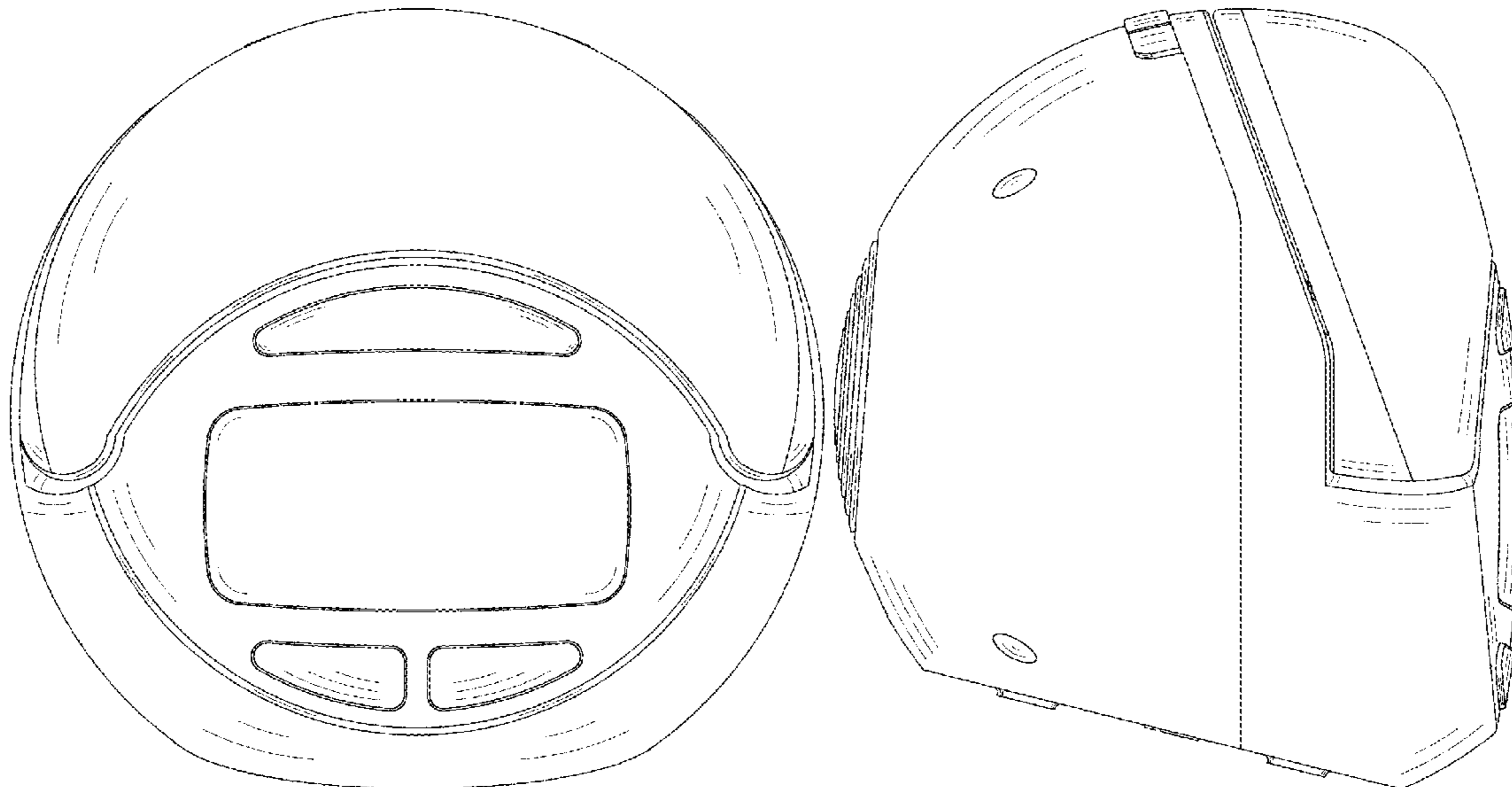
FIG. 7 is a perspective view thereof; and

FIG. 8 is another perspective view thereof; and,

FIG. 9 is an enlarged illustration of the portion of the loudspeaker encircled at 9 in FIG. 2.

The broken lines in the figures depict portions of the loudspeaker that form no part of the claimed design.

**1 Claim, 9 Drawing Sheets**



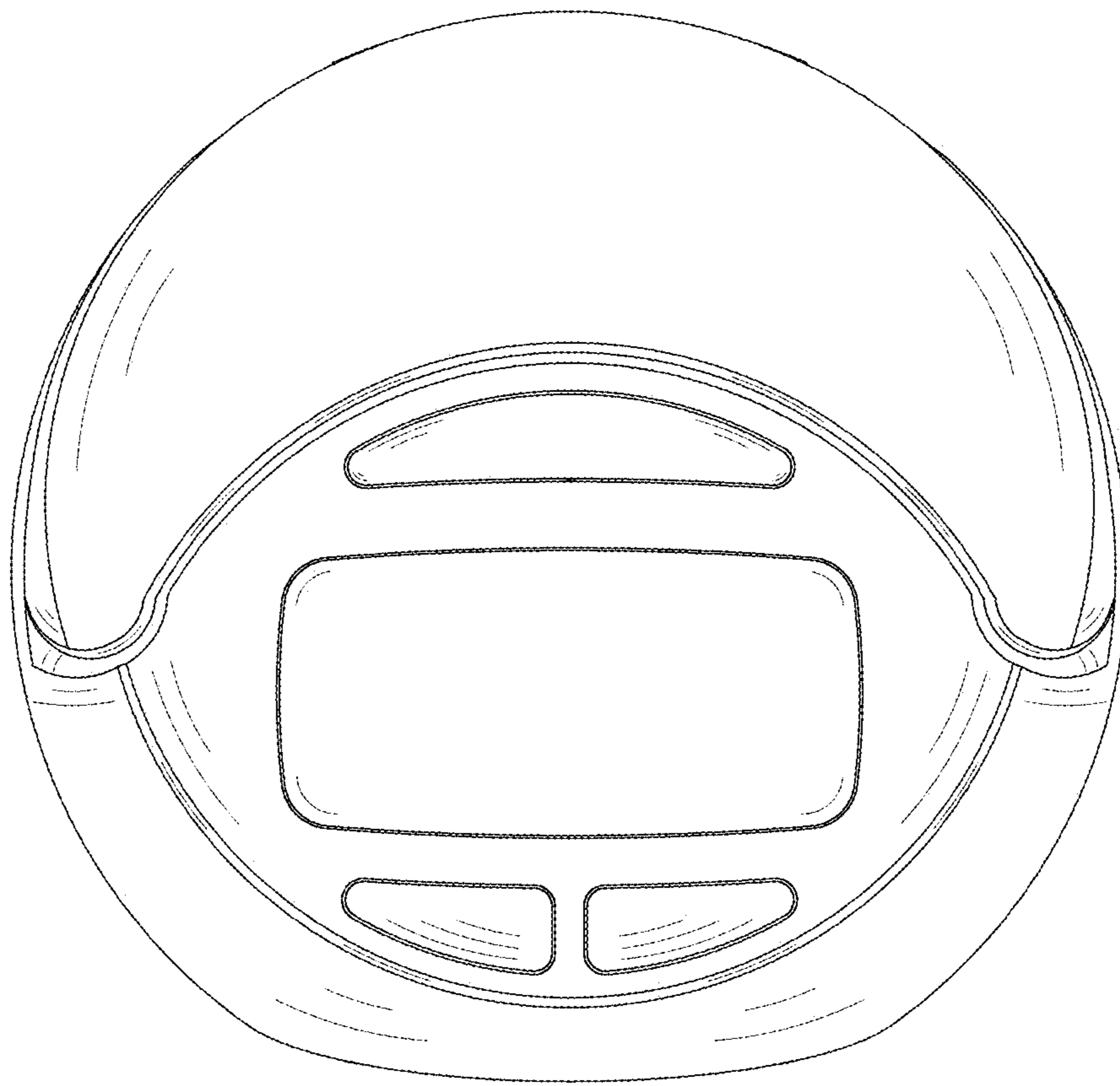


FIG. 1

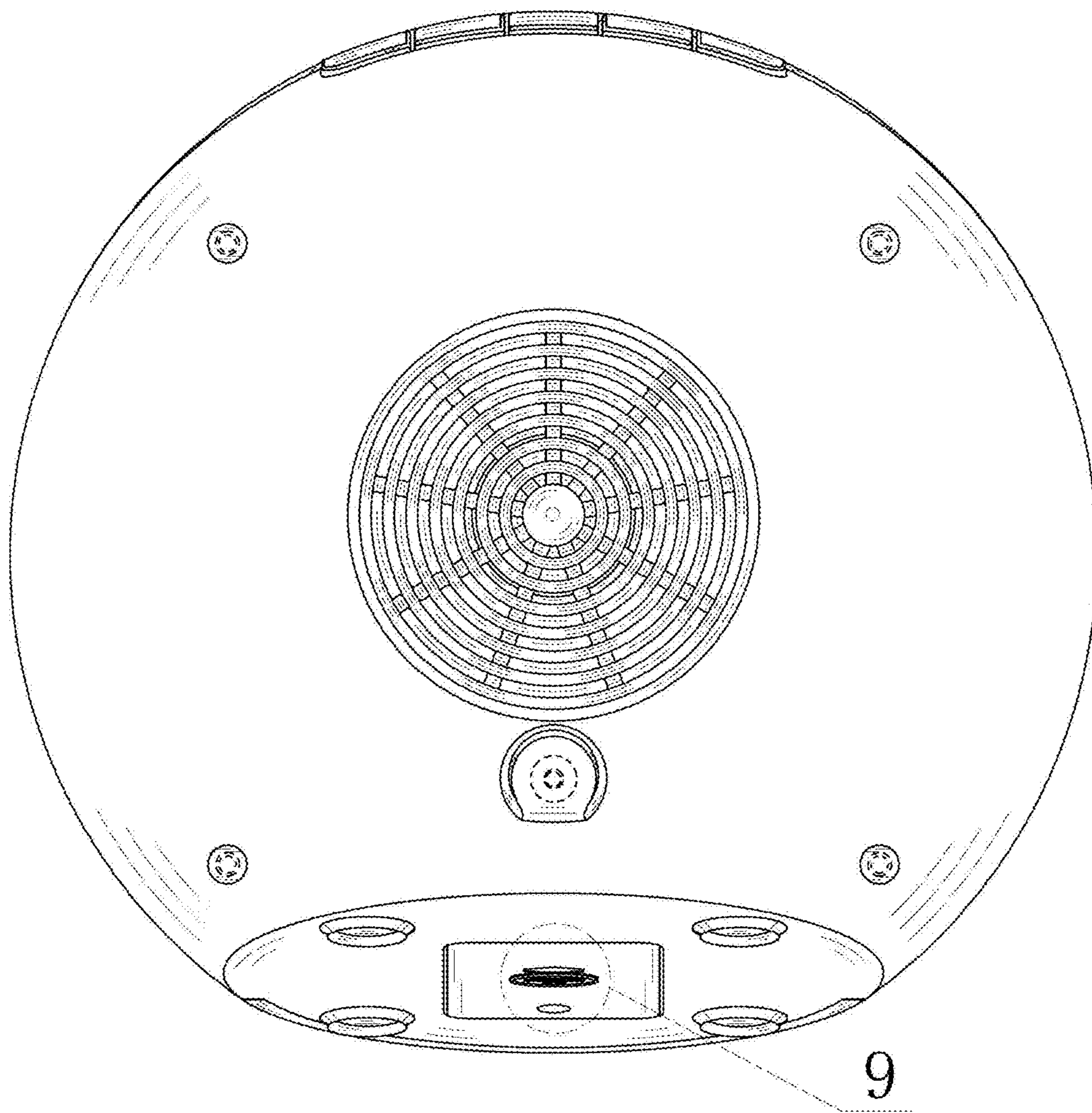


FIG. 2

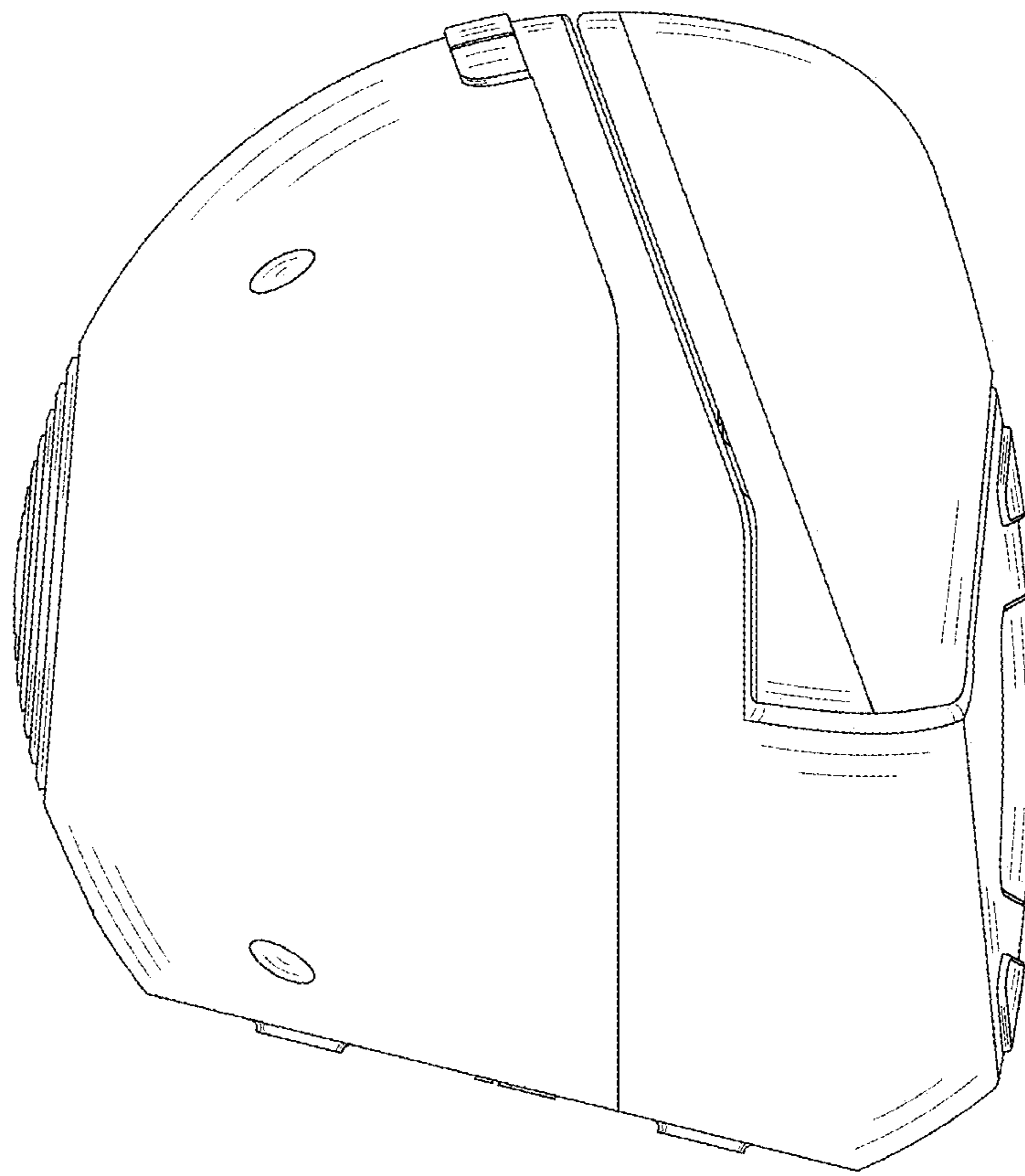


FIG. 3

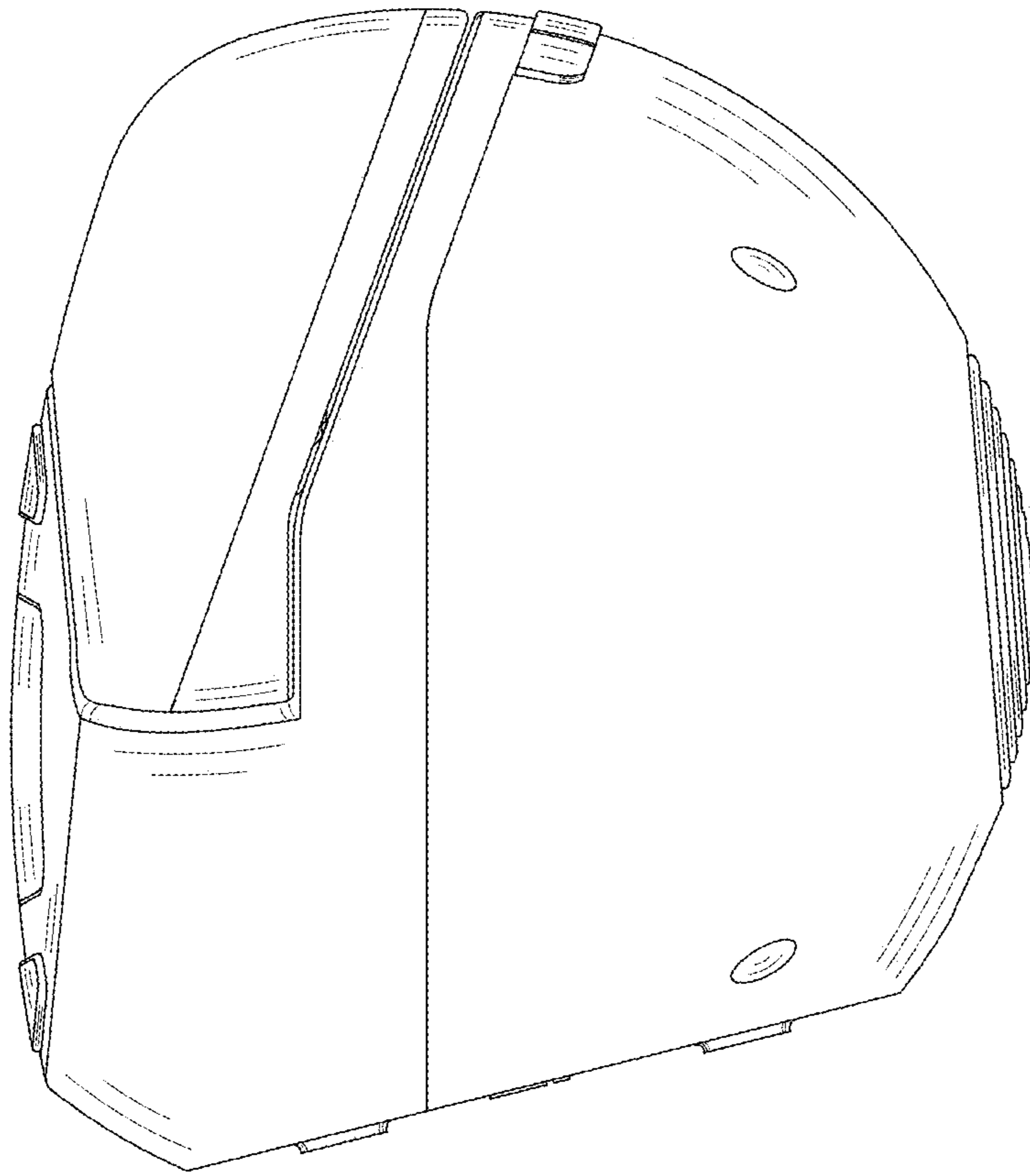


FIG. 4

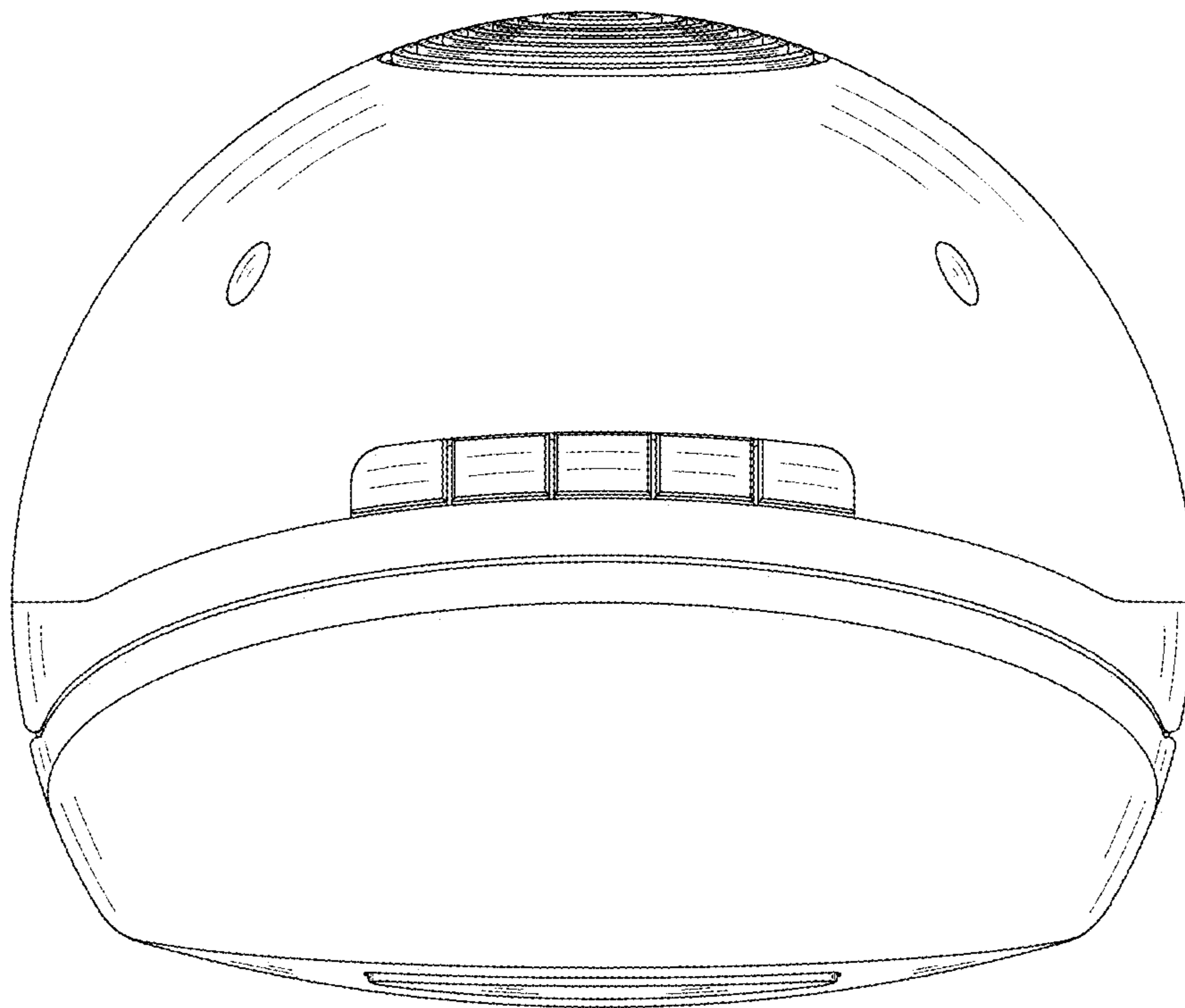


FIG. 5

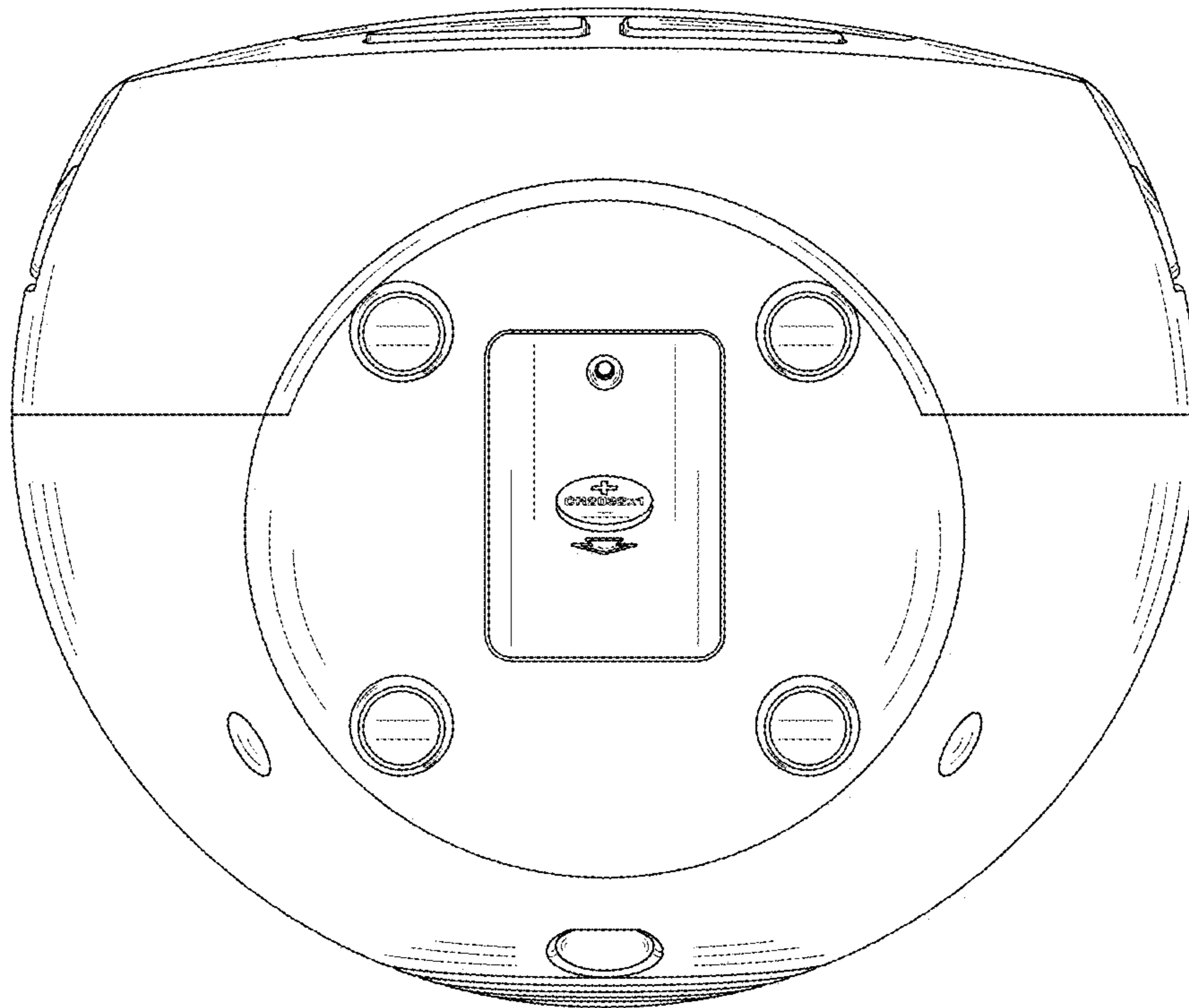


FIG. 6

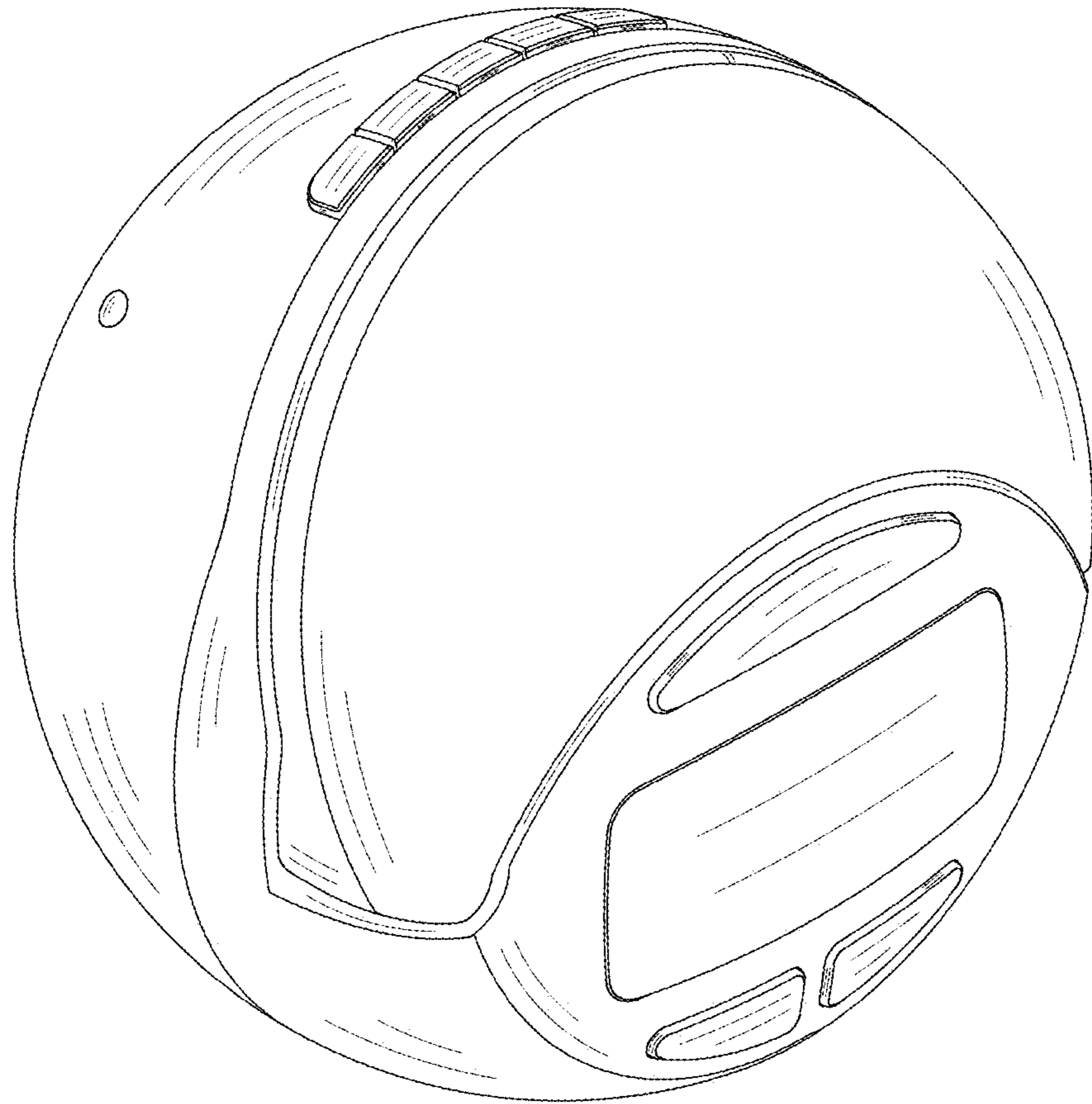


FIG. 7



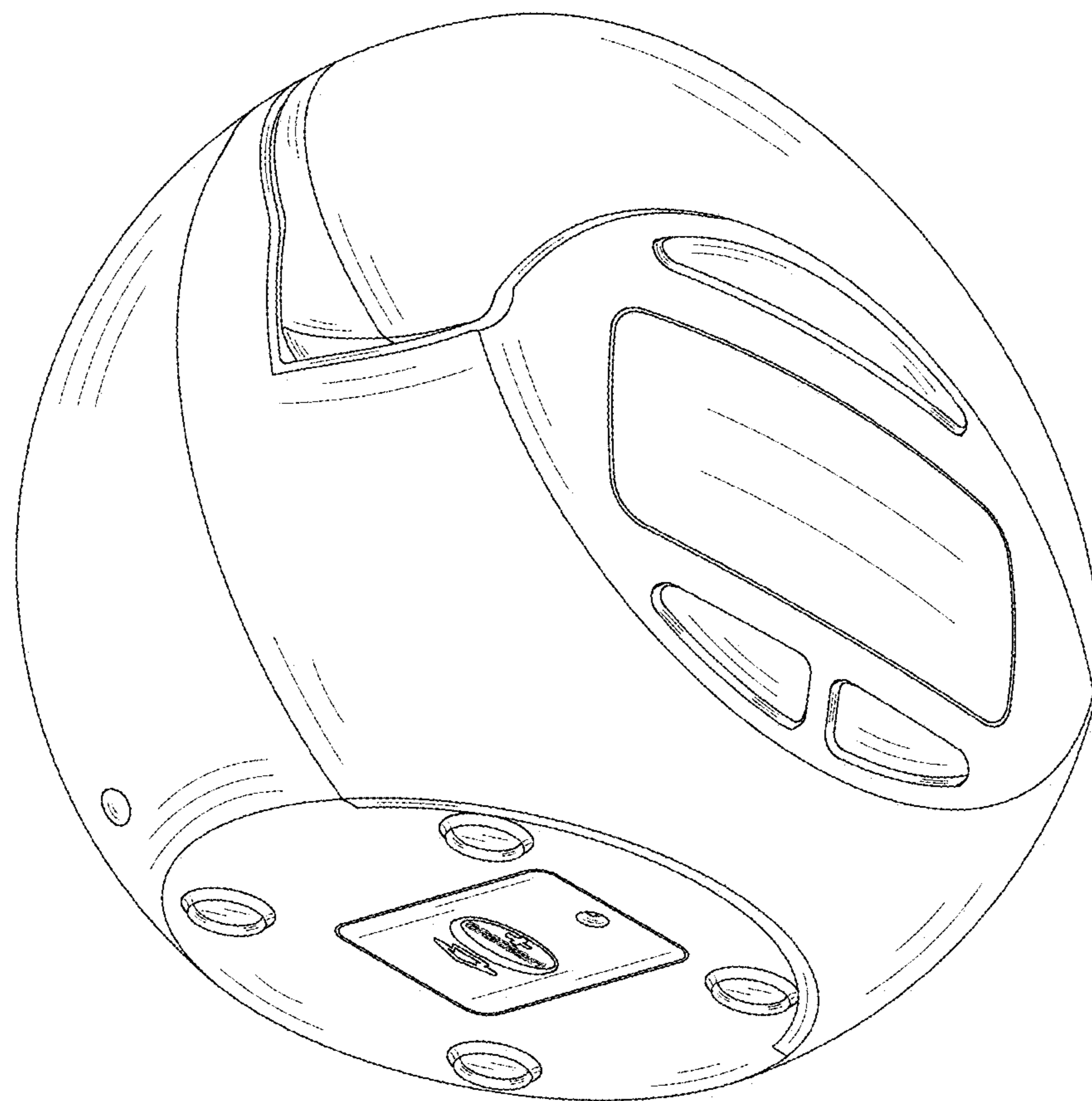


FIG. 8

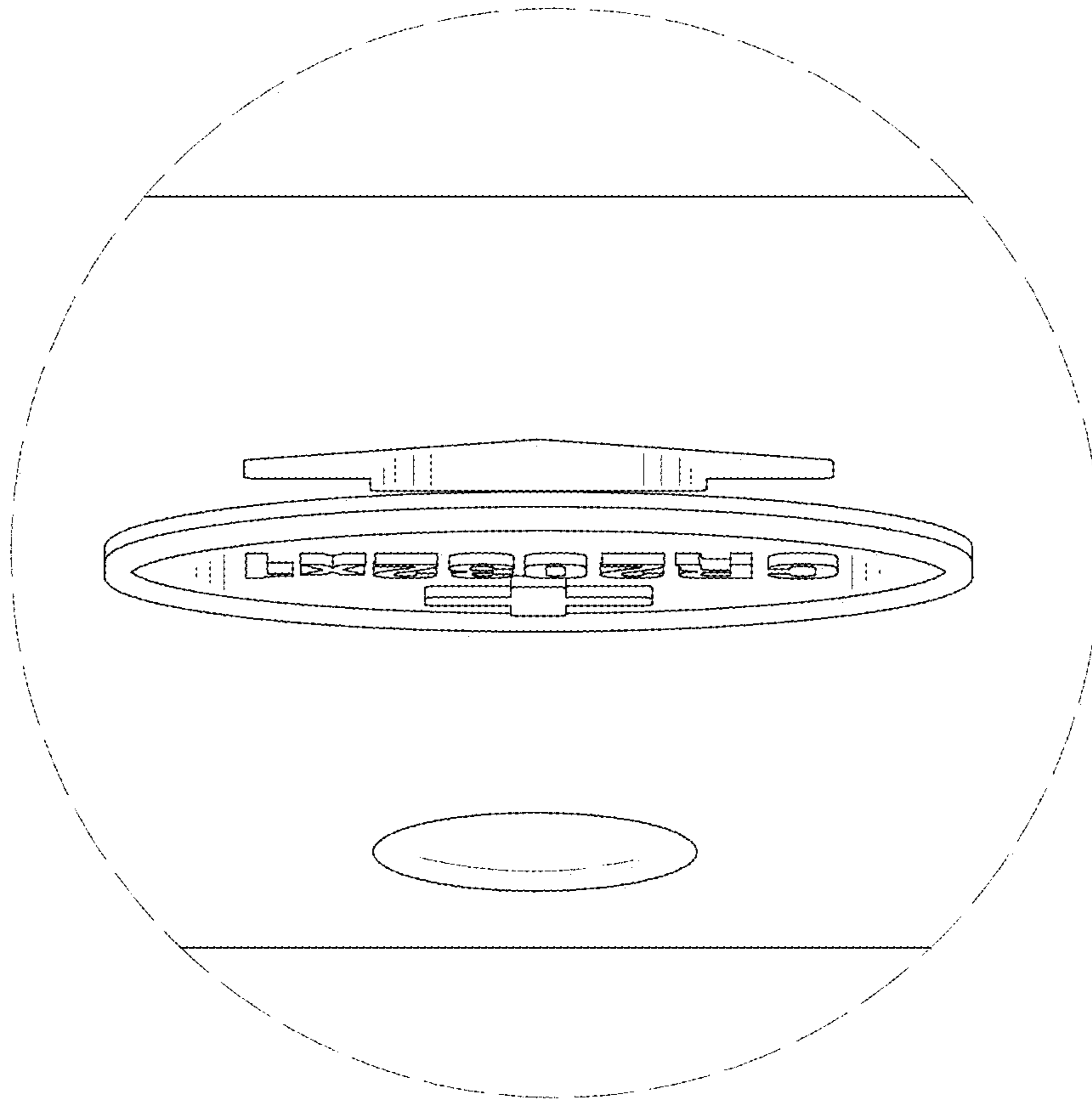


FIG. 9