



US00D918858S

(12) **United States Design Patent**  
**Kim et al.**

(10) **Patent No.:** **US D918,858 S**

(45) **Date of Patent:** **\*\* May 11, 2021**

(54) **LOUDSPEAKER**

(71) Applicant: **Harman International Industries, Incorporated, Northridge, CA (US)**

(72) Inventors: **Young Wan Kim, Shenzhen (CN); Alexander Demin, Shenzhen (CN); Ondrej Vaclavik, Shenzhen (CN)**

(73) Assignee: **Harman International Industries, Incorporated, Northridge, CA (US)**

(\*\*) Term: **15 Years**

(21) Appl. No.: **29/702,809**

(22) Filed: **Aug. 22, 2019**

(51) **LOC (13) Cl.** ..... **14-01**

(52) **U.S. Cl.**  
USPC ..... **D14/204**

(58) **Field of Classification Search**  
USPC ..... D14/170–172, 188, 203.1, 203.3, 204, D14/348

CPC . H04R 1/02; H04R 1/023; H04R 5/02; H04R 7/00; H04R 7/02; H04R 9/06; H04R 2400/00

See application file for complete search history.

(56) **References Cited**

**U.S. PATENT DOCUMENTS**

D473,216 S *	4/2003	Irby	.....	D14/222
D631,866 S	2/2011	Solland		
D682,810 S *	5/2013	Chen	.....	D14/222
D704,680 S *	5/2014	Riemersma	.....	D14/222
D711,852 S	8/2014	Mackiewicz et al.		
D718,335 S *	11/2014	Lee	.....	D14/496
D754,104 S	4/2016	Yoon et al.		
D759,624 S *	6/2016	Byrd	.....	D14/204
D760,685 S *	7/2016	Sugiura	.....	D14/204
D783,570 S *	4/2017	Sprinkle	.....	D14/204
D793,362 S	8/2017	Fischer		
D803,183 S	11/2017	Lum et al.		
D806,055 S	12/2017	Fischer et al.		

D814,441 S *	4/2018	Hanna	.....	D14/214
D821,360 S *	6/2018	Moro	.....	D14/221
D826,207 S *	8/2018	Kim	.....	D14/204
D845,269 S	4/2019	Yang et al.		

(Continued)

**OTHER PUBLICATIONS**

Design U.S. Appl. No. 29/639,416, filed Mar. 6, 2018.  
Design U.S. Appl. No. 29/662,545, filed Sep. 6, 2018.

*Primary Examiner* — Janice Patyk

(74) *Attorney, Agent, or Firm* — Plumsea Law Group, LLC

(57) **CLAIM**

The ornamental design for a loudspeaker, as shown and described.

**DESCRIPTION**

FIG. 1 is a top perspective view of a loudspeaker, showing our new design;

FIG. 2 is a side elevational view thereof, shown in enlarged scale;

FIG. 3 is another top perspective view thereof;

FIG. 4 is a partially enlarged view thereof, taken from FIG. 3;

FIG. 5 is a bottom perspective view thereof;

FIG. 6 is a partially enlarged view thereof, taken from FIG. 5;

FIG. 7 is a front perspective view thereof;

FIG. 8 is a rear perspective view thereof;

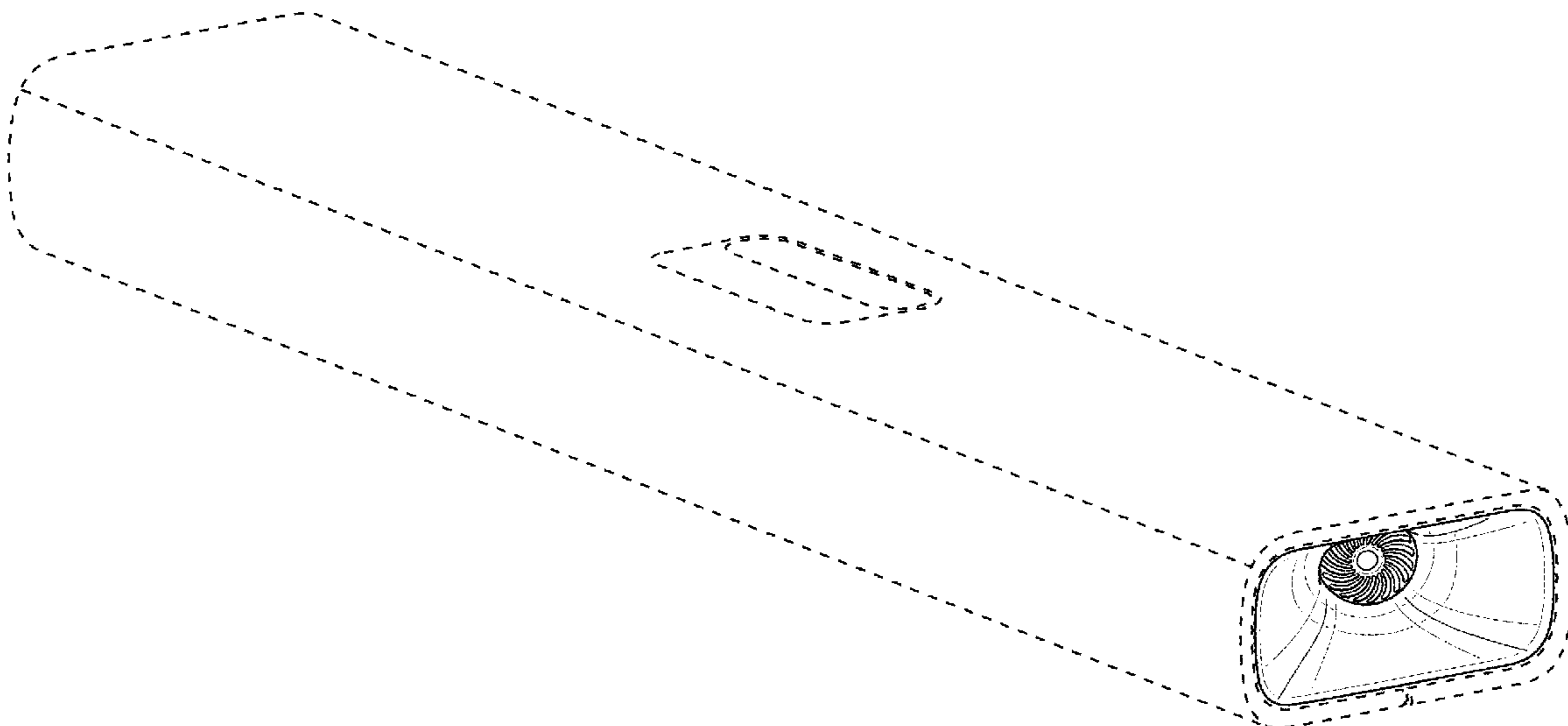
FIG. 9 is a partially enlarged view thereof, taken from FIG. 7; and,

FIG. 10 is a partially enlarged view thereof, taken from FIG. 8.

The broken lines in the figures illustrate the portions of the design that form no part of the claimed design.

The dot-dash broken lines are included to show partially enlarged views only and form no part of the claimed design.

**1 Claim, 9 Drawing Sheets**



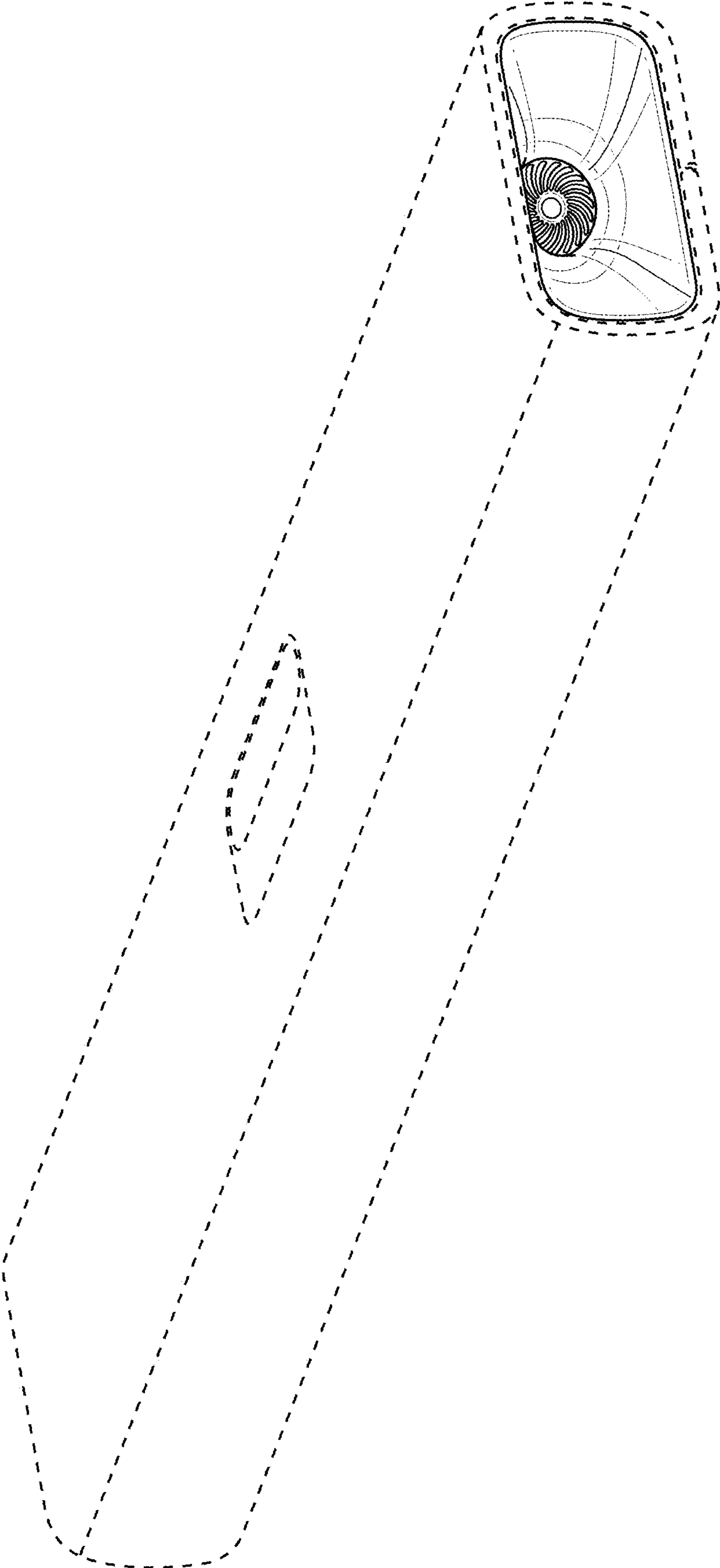
(56)

**References Cited**

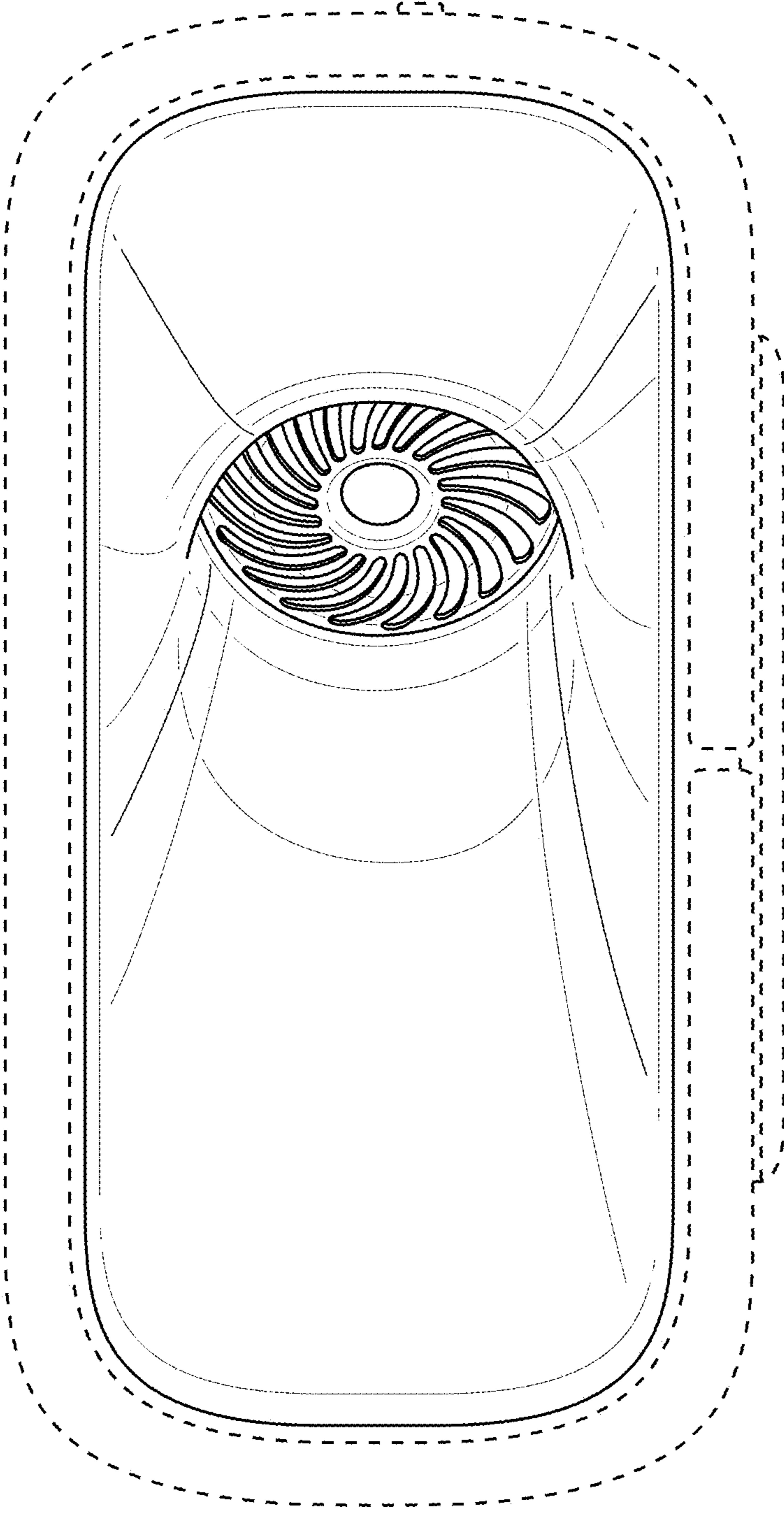
U.S. PATENT DOCUMENTS

D856,301 S     8/2019 Lum et al.  
D862,415 S     10/2019 Krizan et al.  
D868,726 S     12/2019 Kim et al.

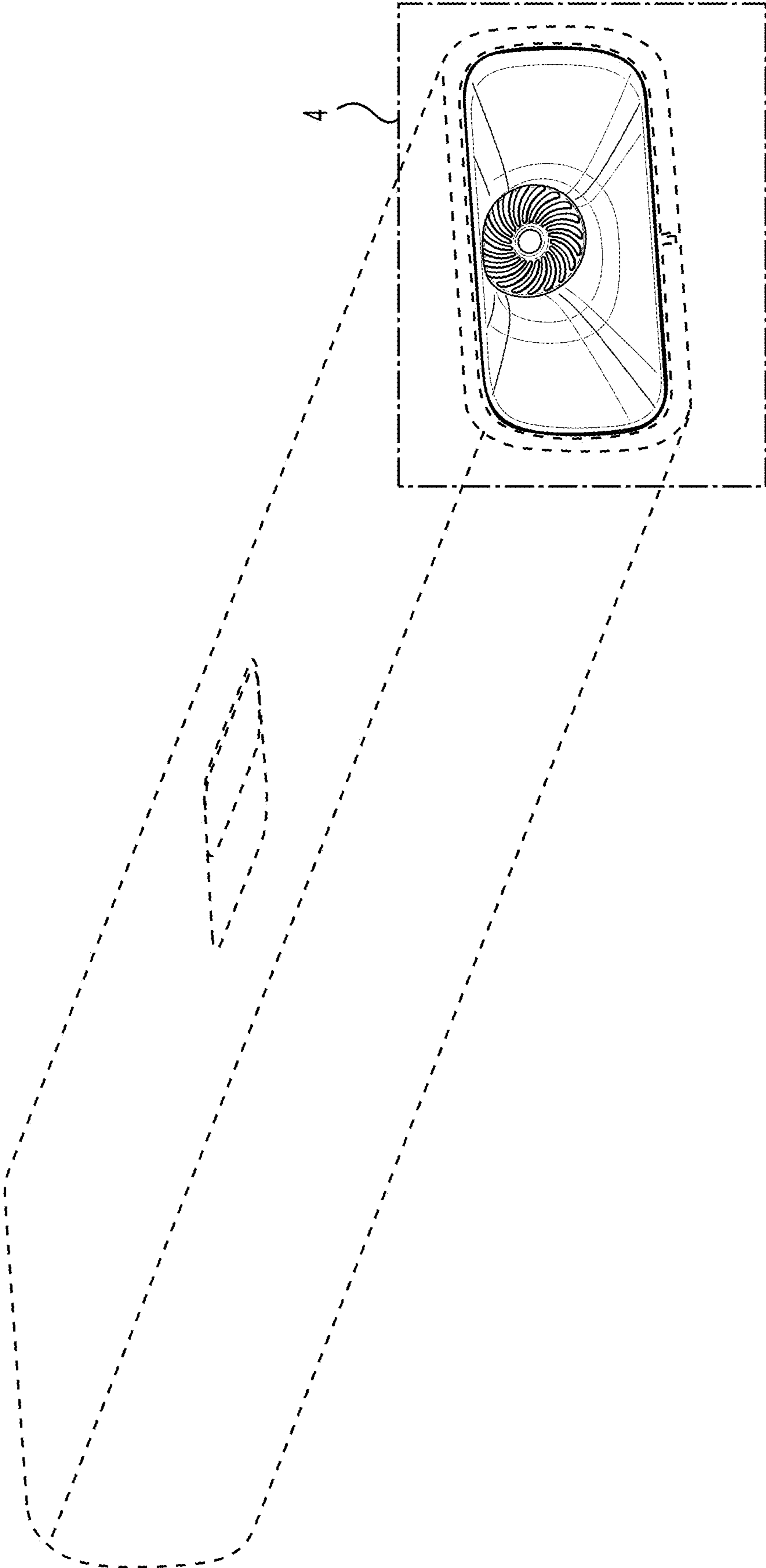
\* cited by examiner



**FIG. 1**

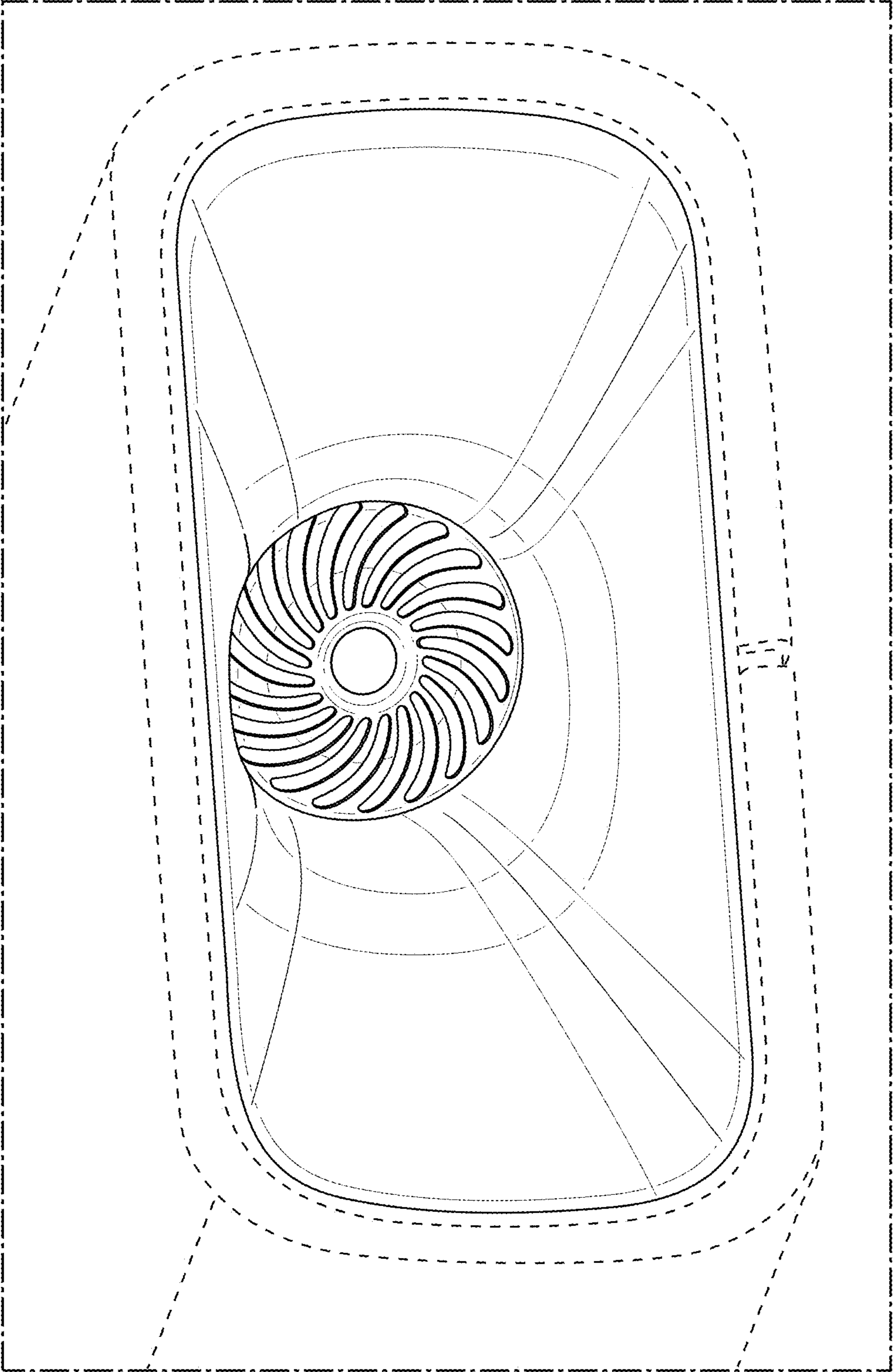


**FIG. 2**

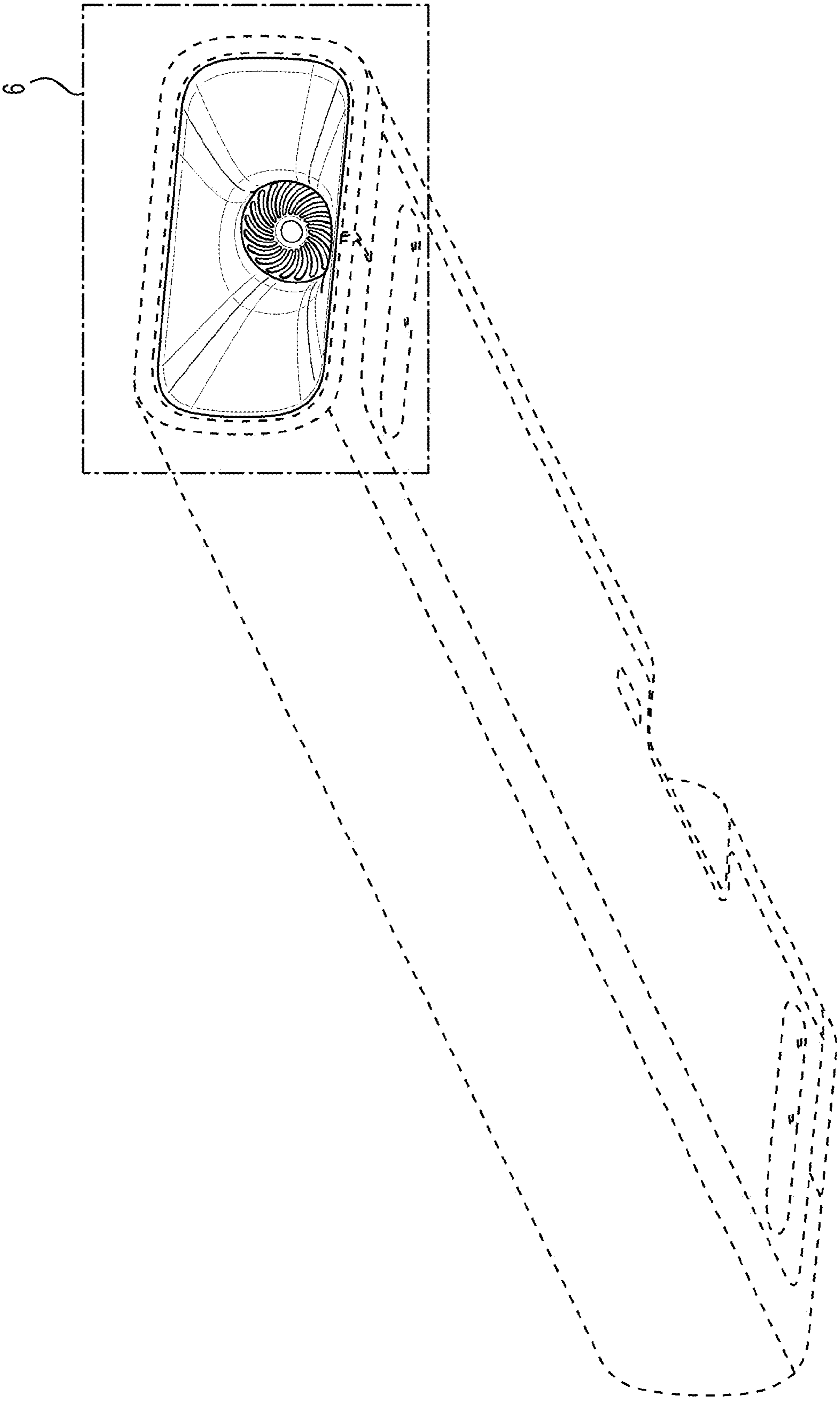


**FIG. 3**

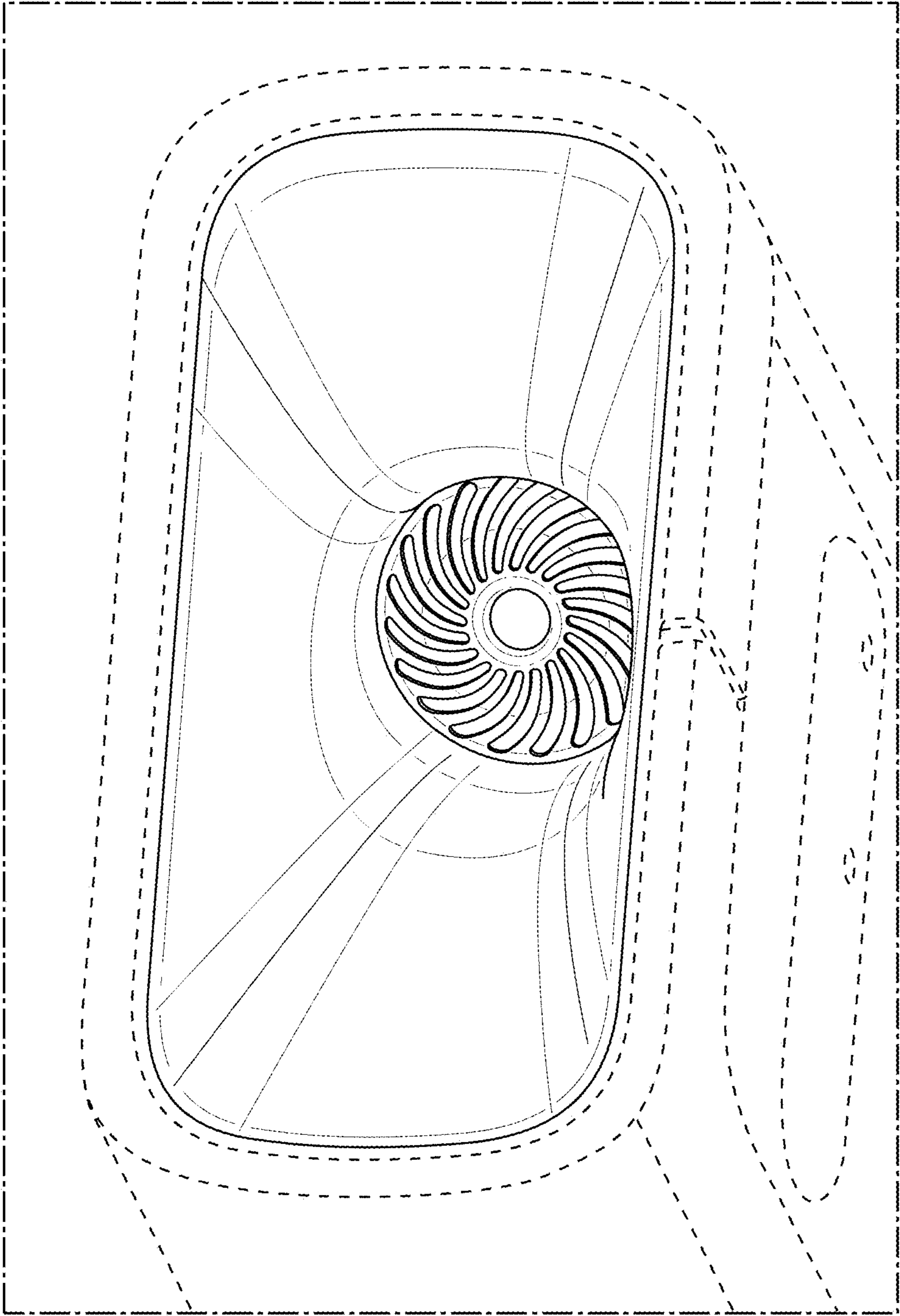




**FIG. 4**



**FIG. 5**

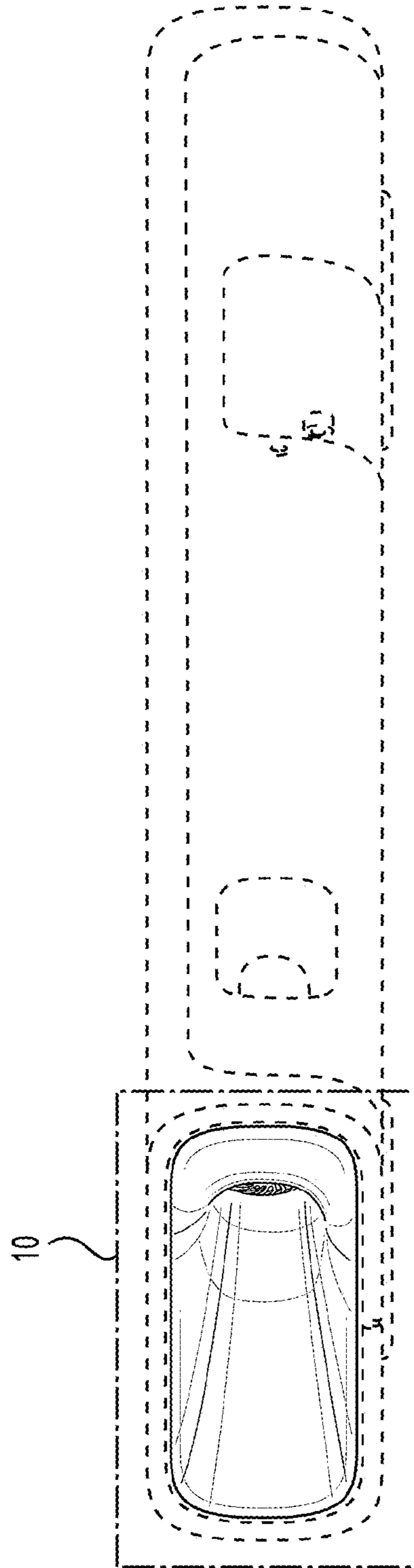


**FIG. 6**

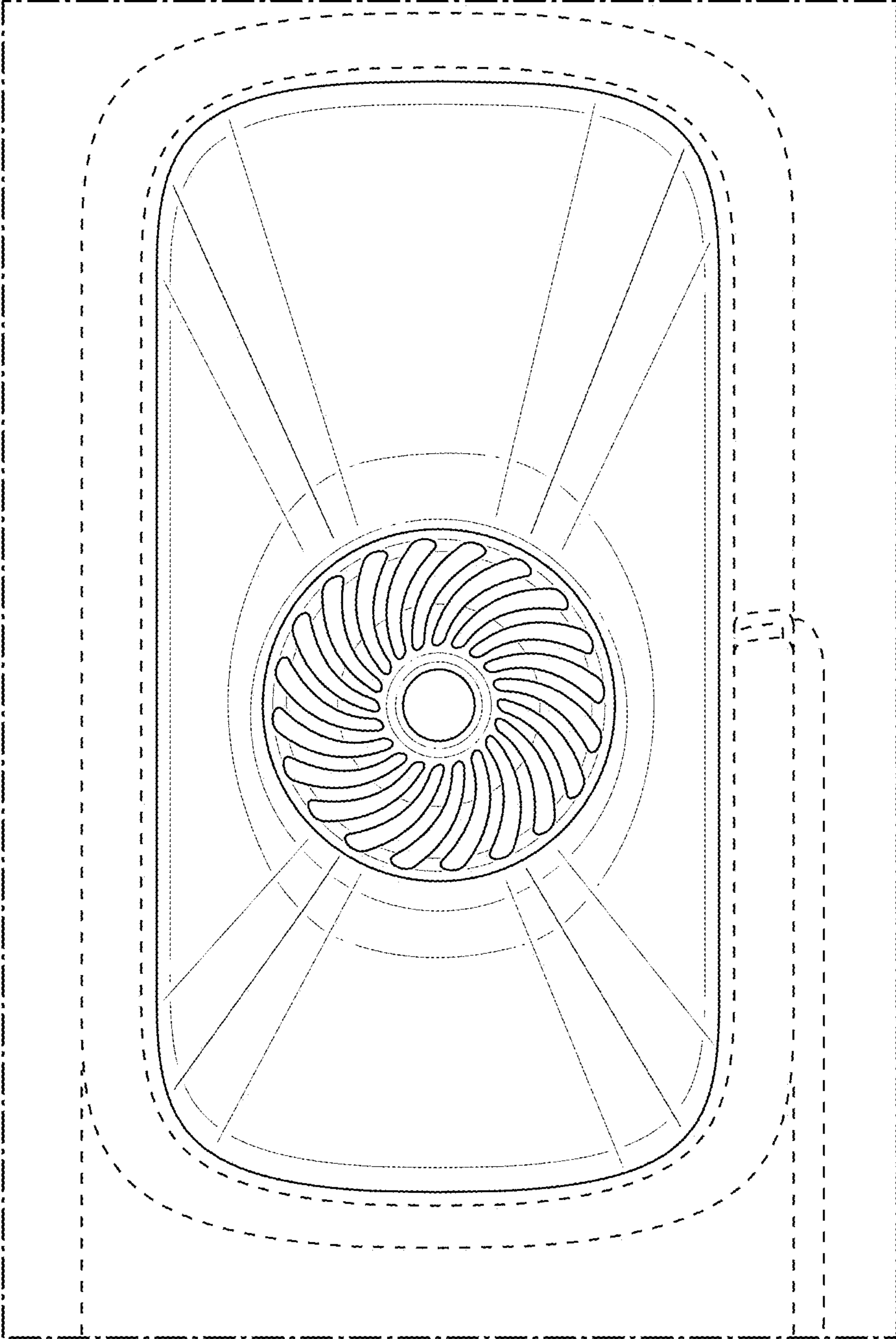




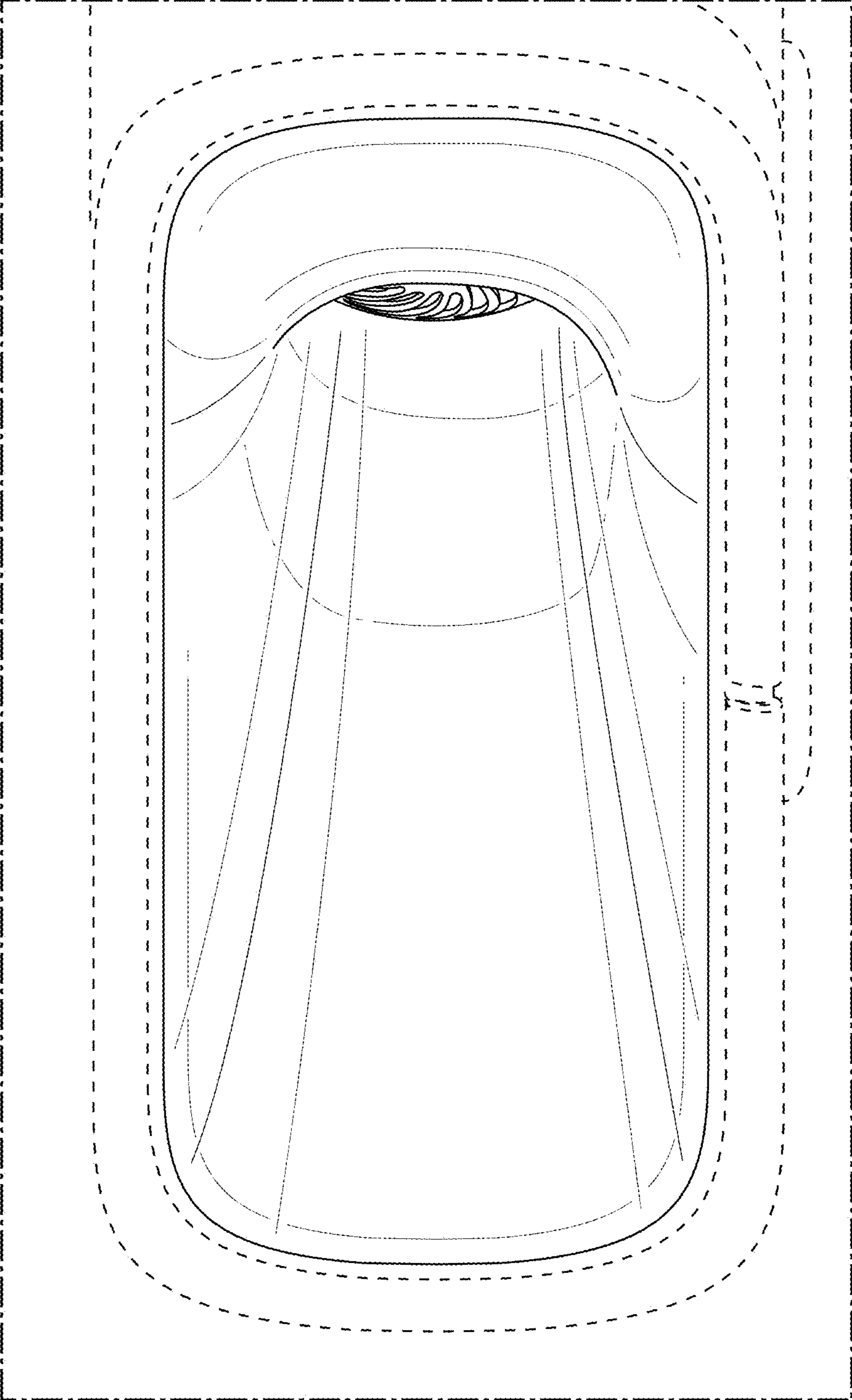
**FIG. 7**



**FIG. 8**



**FIG. 9**



**FIG. 10**