



US00D918857S

(12) **United States Design Patent** (10) **Patent No.:** **US D918,857 S**  
**Kato et al.** (45) **Date of Patent:** **\*\* May 11, 2021**

(54) **SERVO AMPLIFIER**

(71) Applicant: **Mitsubishi Electric Corporation,**  
Tokyo (JP)

(72) Inventors: **Shinichi Kato,** Tokyo (JP); **Kenichi Oi,**  
Tokyo (JP); **Toshio Nakayama,** Tokyo  
(JP); **Masahiro Ichikawa,** Tokyo (JP);  
**Taku Kondo,** Tokyo (JP); **Koji**  
**Uchimura,** Tokyo (JP)

(73) Assignee: **Mitsubishi Electric Corporation,**  
Tokyo (JP)

(\*\*) Term: **15 Years**

(21) Appl. No.: **29/694,928**

(22) Filed: **Jun. 14, 2019**

(30) **Foreign Application Priority Data**

Jan. 31, 2019	(JP)	2019-001875
Jan. 31, 2019	(JP)	2019-001876
Jan. 31, 2019	(JP)	2019-001877

(51) **LOC (13) Cl.** ..... **14-03**

(52) **U.S. Cl.**  
USPC ..... **D14/188**

(58) **Field of Classification Search**

USPC ..... D14/162, 167-169, 175, 179, 188,  
D14/194-198, 217, 257, 265, 299, 496  
CPC . B60R 11/02; B60R 11/0205; B60R 11/0217;  
G10K 9/22; G10K 15/04; H03F 1/26;  
H03F 1/3247; H03F 3/24; H03F 3/181;  
H03F 3/189; H03F 3/45197; H03F  
2200/03; H03F 2200/324; H03F  
2200/336; H03F 2200/543; H03F  
2203/45488; H03G 3/02; H03G 3/20;  
H04R 1/02; H04R 1/028; H04R 3/00;  
H04R 3/12; H04R 2420/07; H04R  
2499/13

See application file for complete search history.

(56) **References Cited**

U.S. PATENT DOCUMENTS

D337,304	S	*	7/1993	Lubbe	.....	D13/110
D476,306	S	*	6/2003	Abe	.....	D14/188
D510,319	S	*	10/2005	Tuomola	.....	D13/110
D561,095	S	*	2/2008	Sakai	.....	D13/110

(Continued)

*Primary Examiner* — Keli L Hill

(74) *Attorney, Agent, or Firm* — Studebaker & Brackett  
PC

(57) **CLAIM**

The ornamental design for a servo amplifier, as shown and described.

**DESCRIPTION**

FIG. 1. is a front perspective view of the front, left, and top sides of a servo amplifier showing a first embodiment of our new design;

FIG. 2. is a rear perspective view of the rear, right, and bottom sides thereof;

FIG. 3. is a front view thereof;

FIG. 4. is a rear view thereof;

FIG. 5. is a top plan view thereof;

FIG. 6. is a bottom plan view thereof;

FIG. 7. is a right side view thereof;

FIG. 8. is a left side view thereof;

FIG. 9. is a front perspective view of the front, left, and top sides of a servo amplifier showing a second embodiment of our new design;

FIG. 10. is a rear perspective view of the rear, right, and bottom sides thereof;

FIG. 11. is a front view thereof;

FIG. 12. is a rear view thereof;

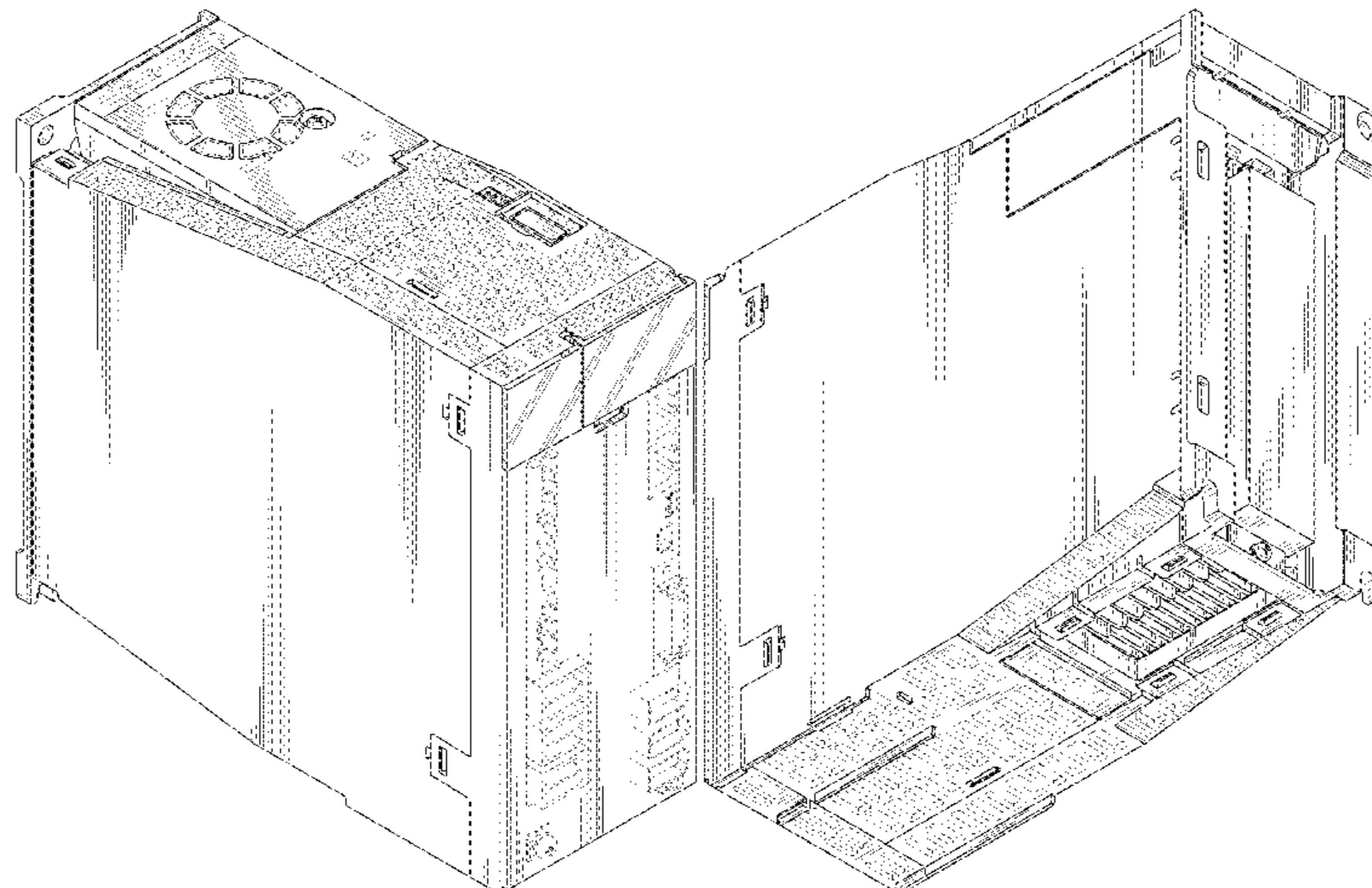
FIG. 13. is a top plan view thereof;

FIG. 14. is a bottom plan view thereof;

FIG. 15. is a right side view thereof; and,

FIG. 16. is a left side view thereof.

(Continued)



The broken lines shown represent portions of the servo amplifier and form no part of the claimed design.

**1 Claim, 16 Drawing Sheets**

(56)

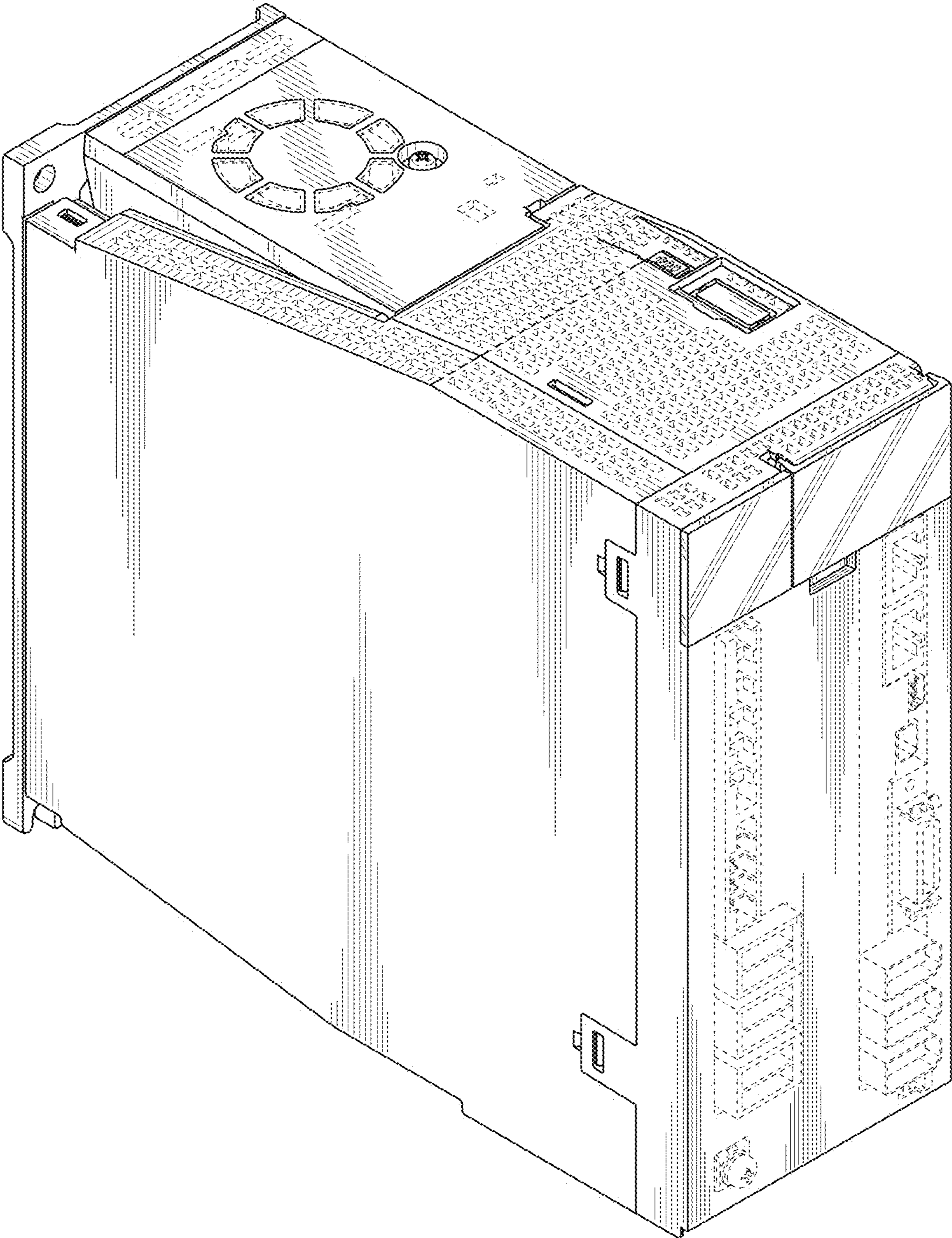
**References Cited**

U.S. PATENT DOCUMENTS

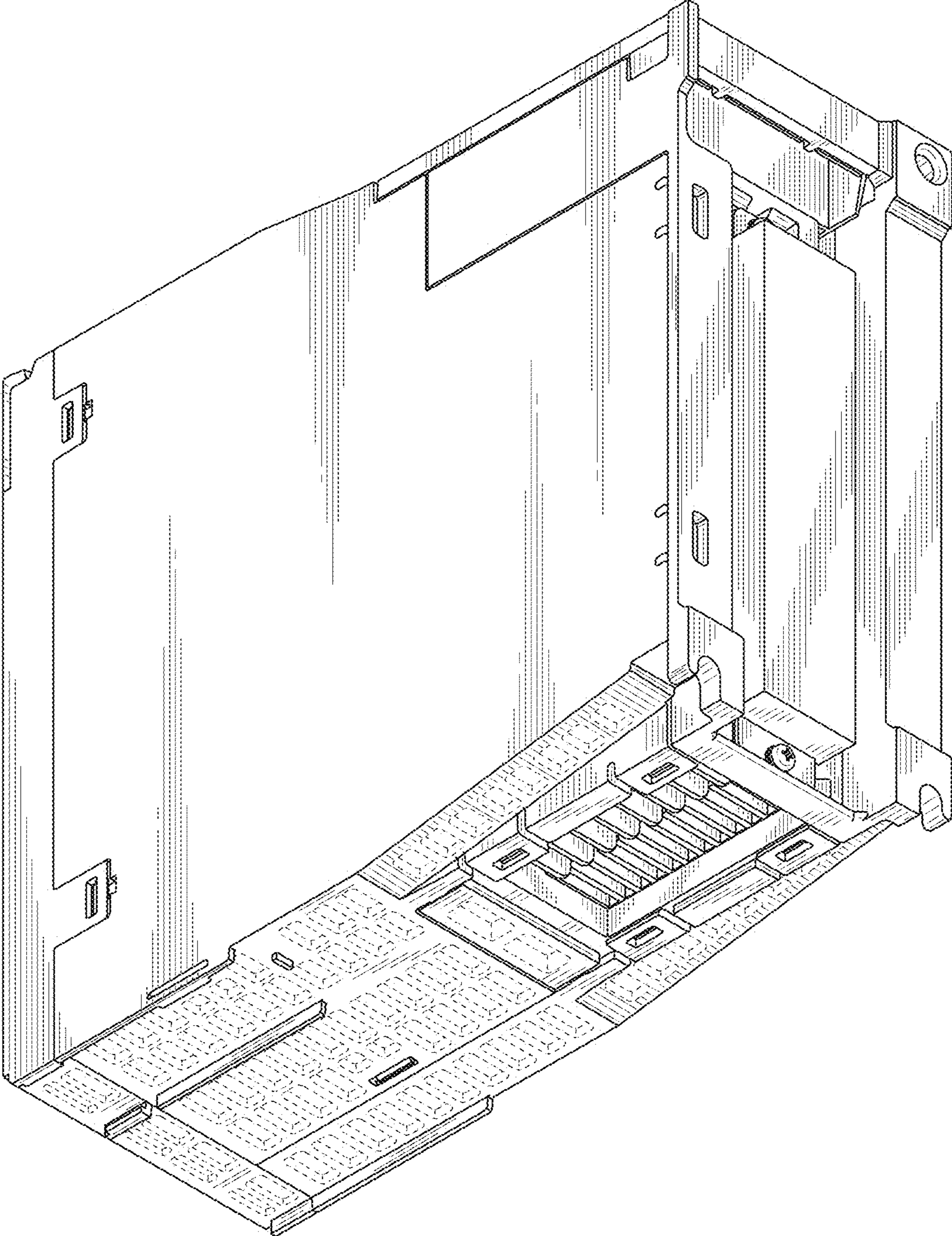
D609,195	S	*	2/2010	Yamashita	.....	D13/162
D621,350	S	*	8/2010	Huang	.....	D13/110
D623,592	S	*	9/2010	Huang	.....	D13/110
D631,436	S	*	1/2011	Huang	.....	D13/110
D724,052	S	*	3/2015	Nakahira	.....	D14/188
D797,672	S	*	9/2017	Nada	.....	D13/123
D812,019	S	*	3/2018	Kato	.....	D13/162
D817,273	S	*	5/2018	Kato	.....	D13/110
D829,181	S	*	9/2018	Kato	.....	D13/162
D845,238	S	*	4/2019	Kato	.....	D13/123
D861,608	S	*	10/2019	Kato	.....	D13/123
D861,609	S	*	10/2019	Kato	.....	D13/123
D897,308	S	*	9/2020	Kato	.....	D14/188
D905,638	S	*	12/2020	Kato	.....	D13/110
D908,657	S	*	1/2021	Kato	.....	D14/188
D912,007	S	*	3/2021	Kato	.....	D14/188

\* cited by examiner

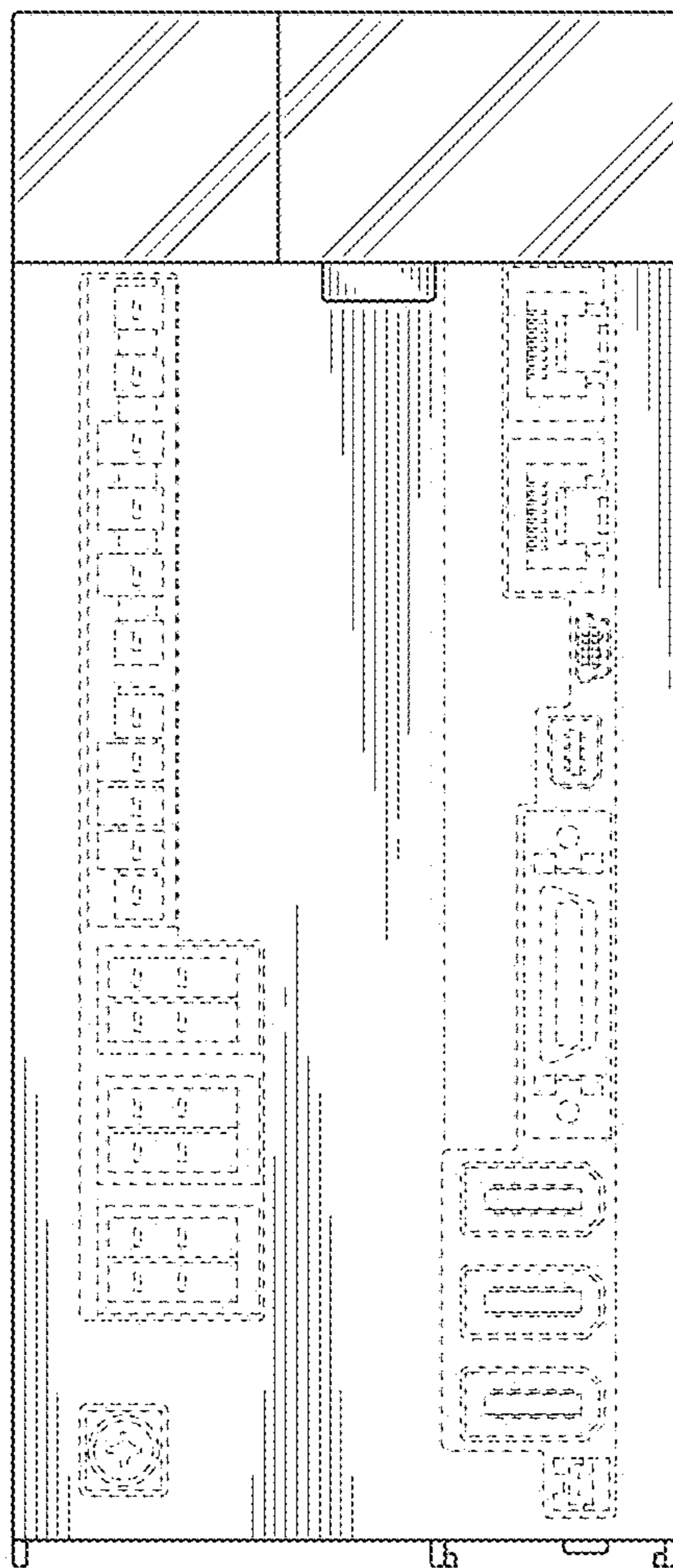
*FIG. 1*



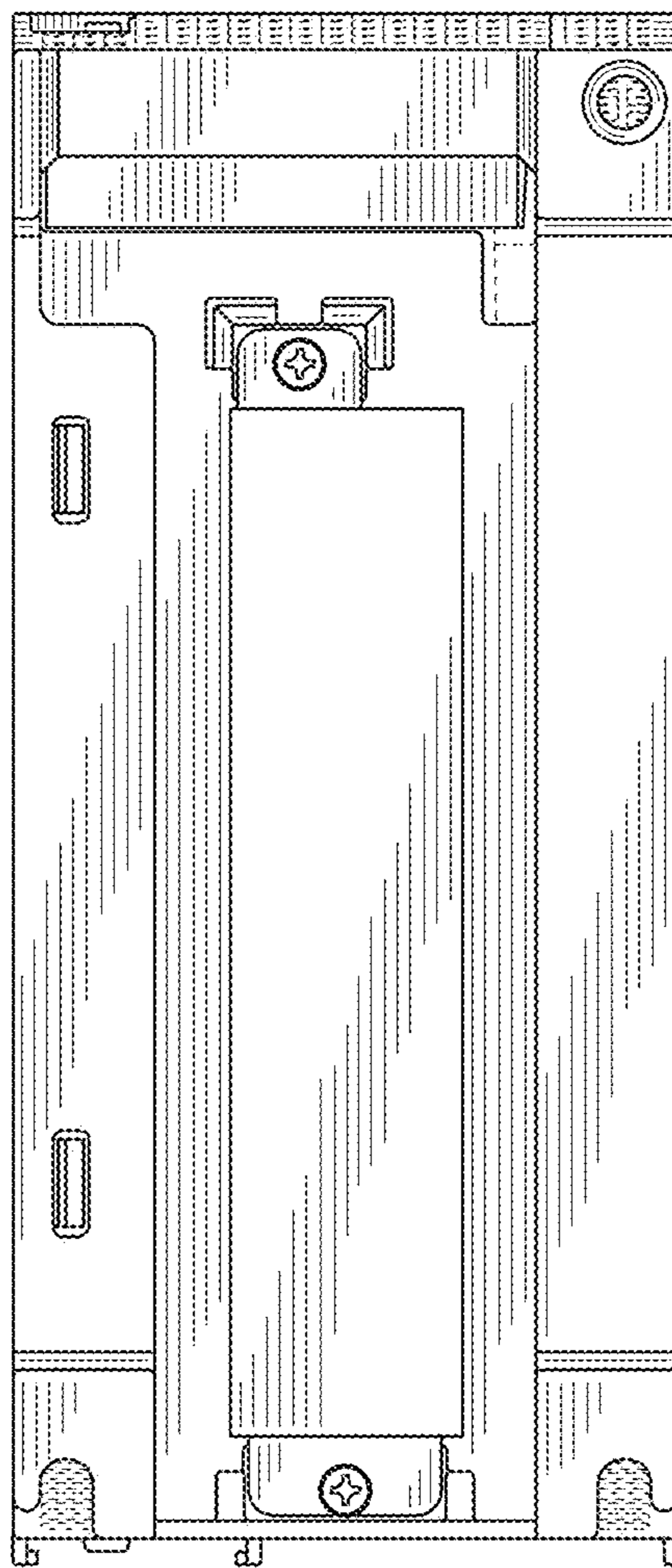
**FIG. 2**



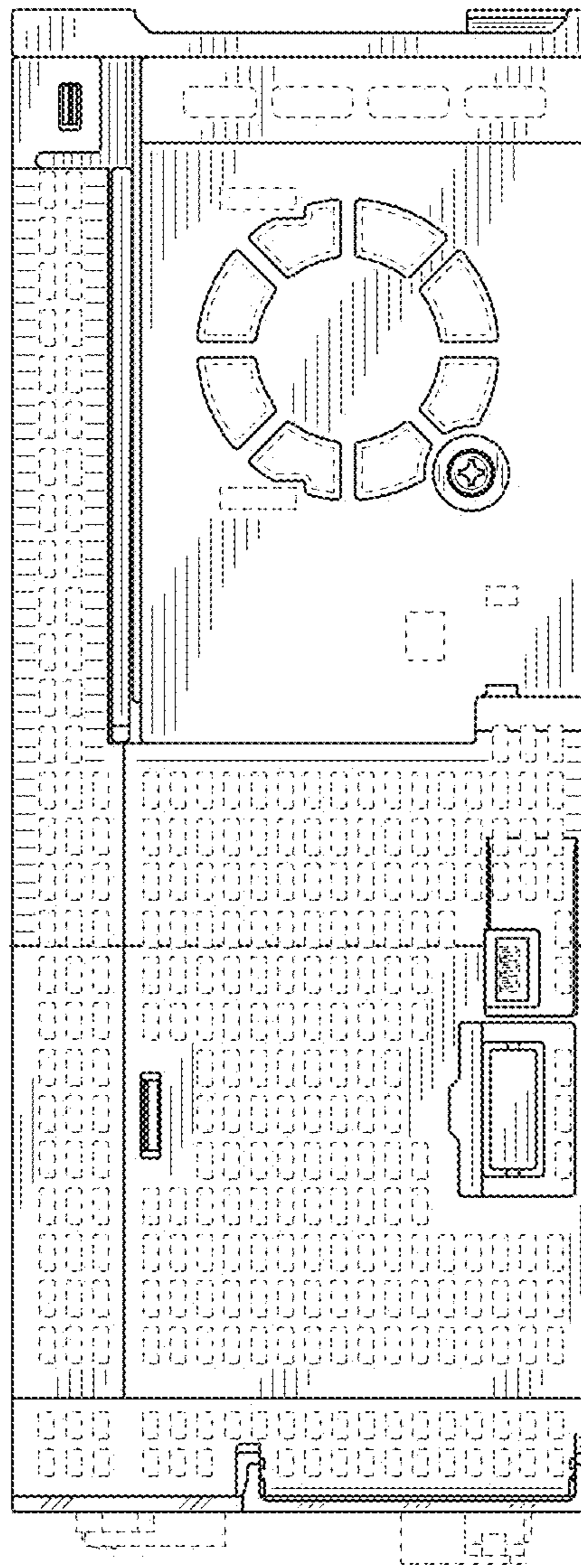
**FIG. 3**



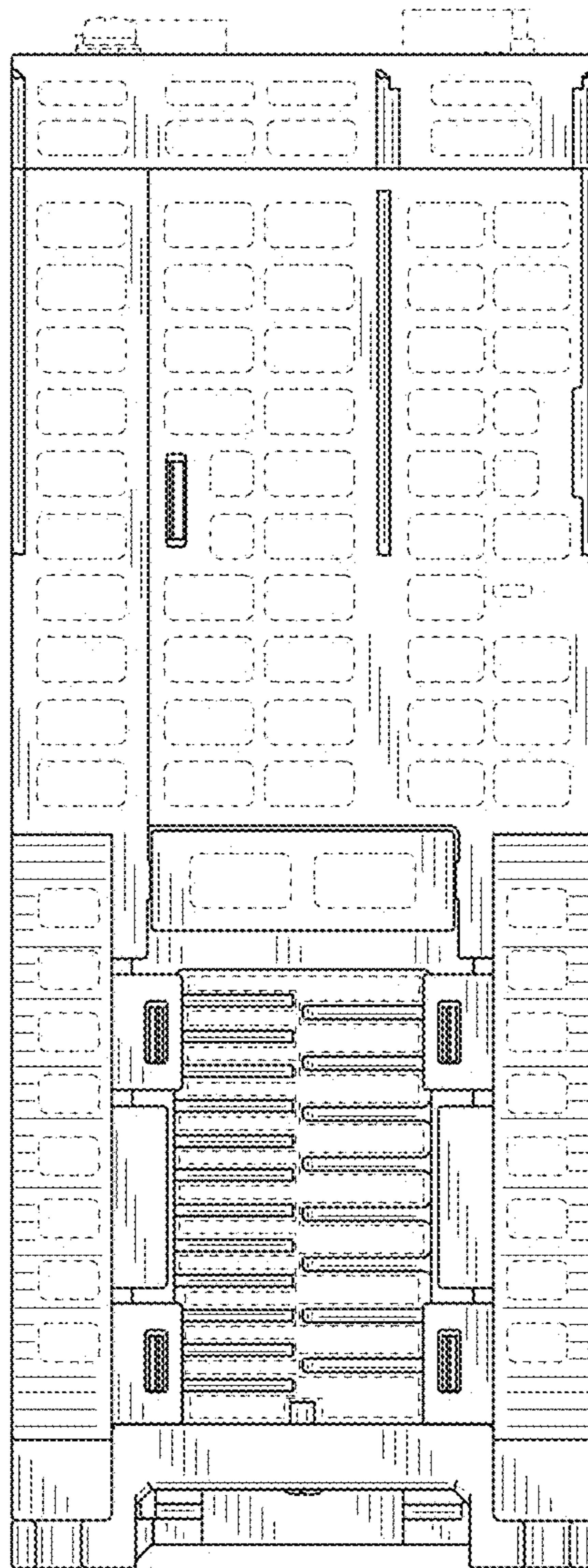
**FIG. 4**



**FIG. 5**

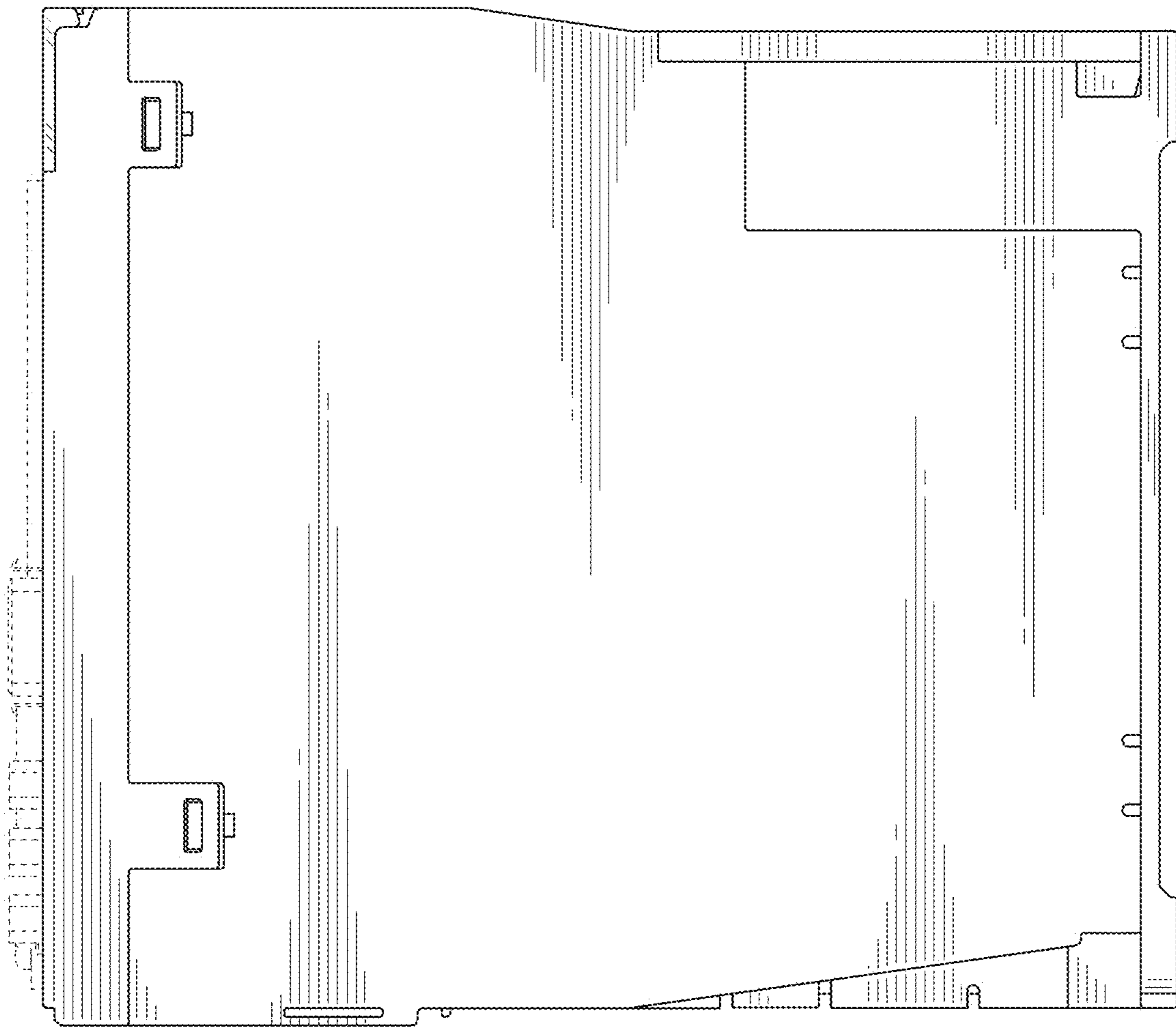


**FIG. 6**

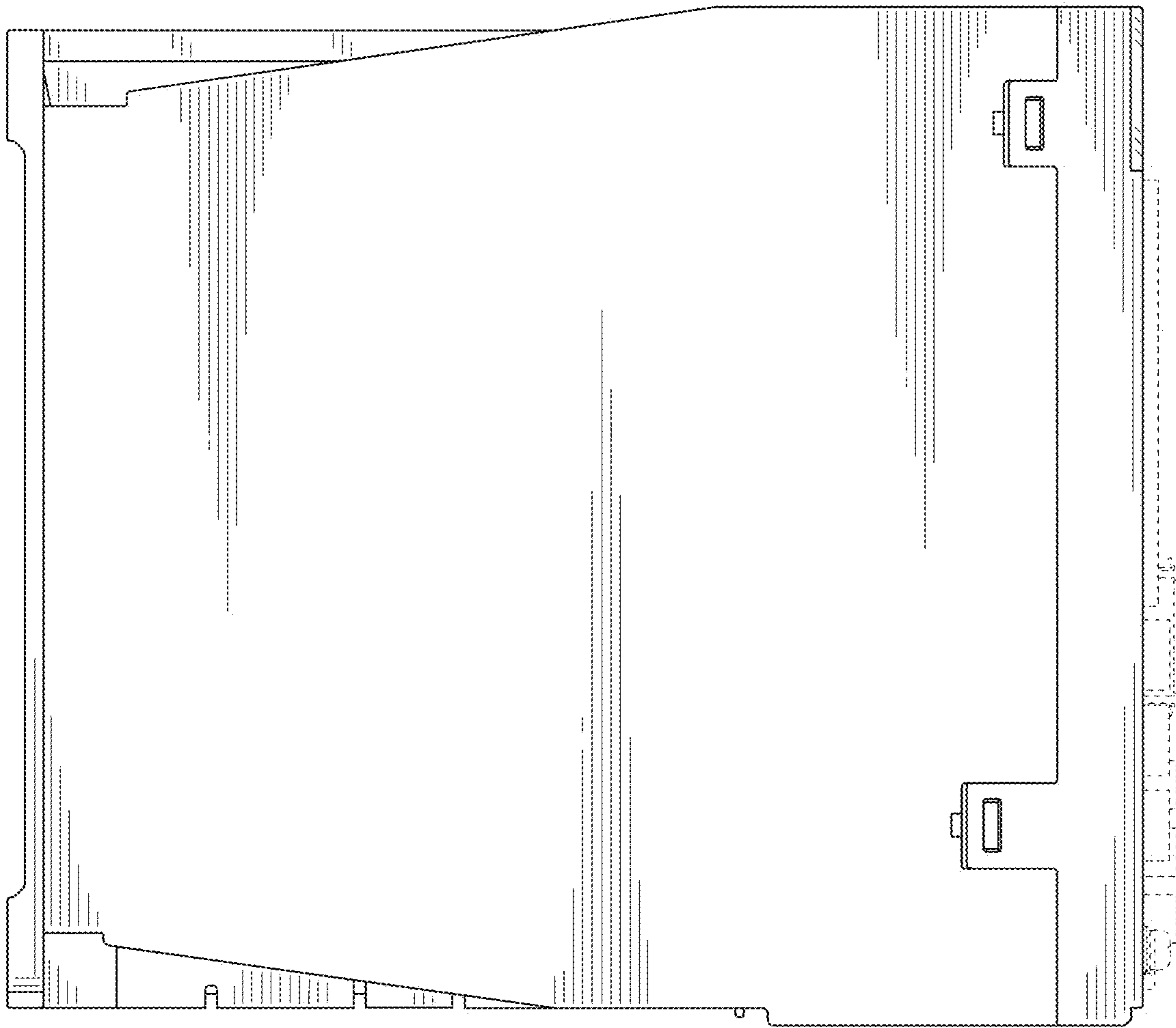




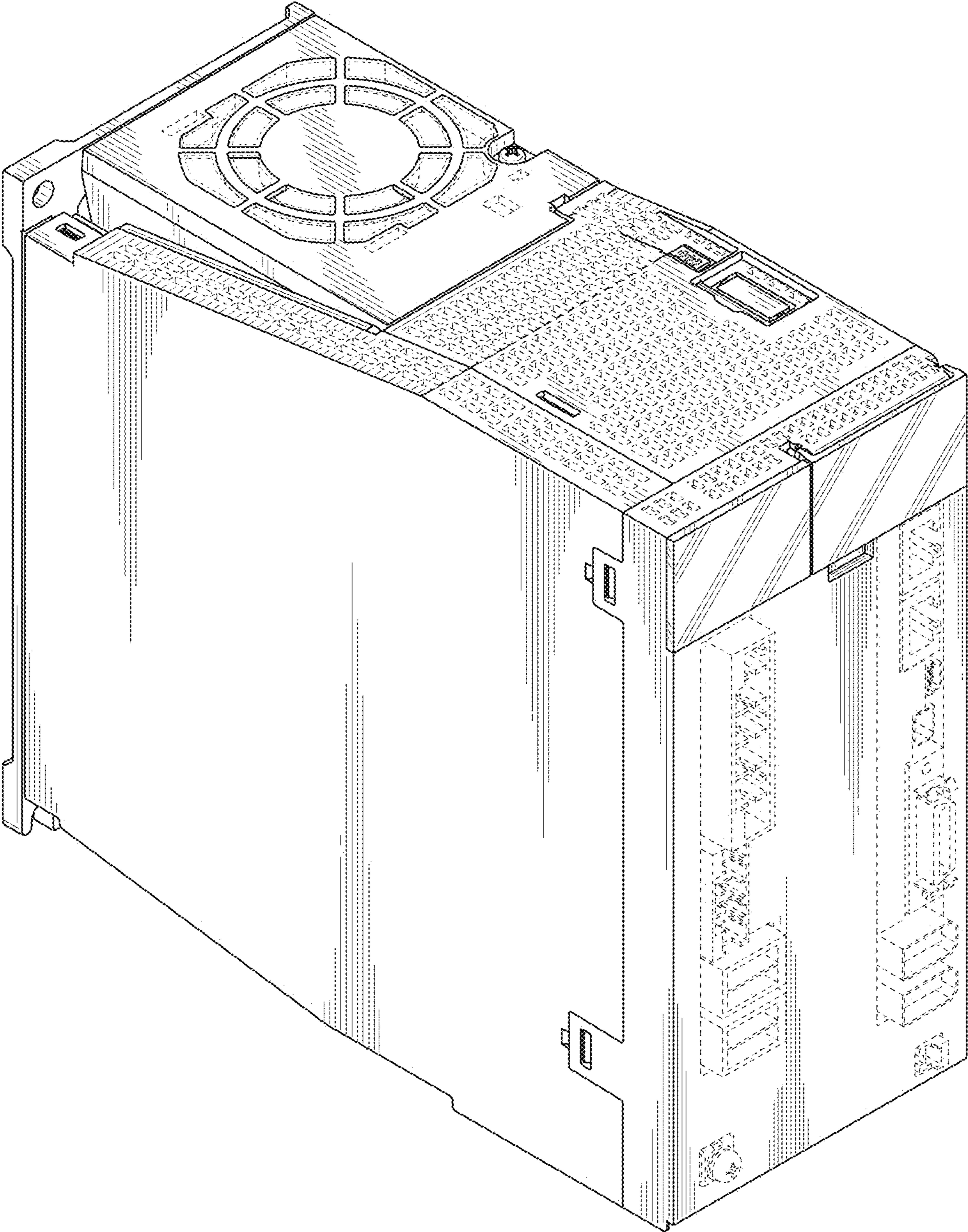
**FIG. 7**



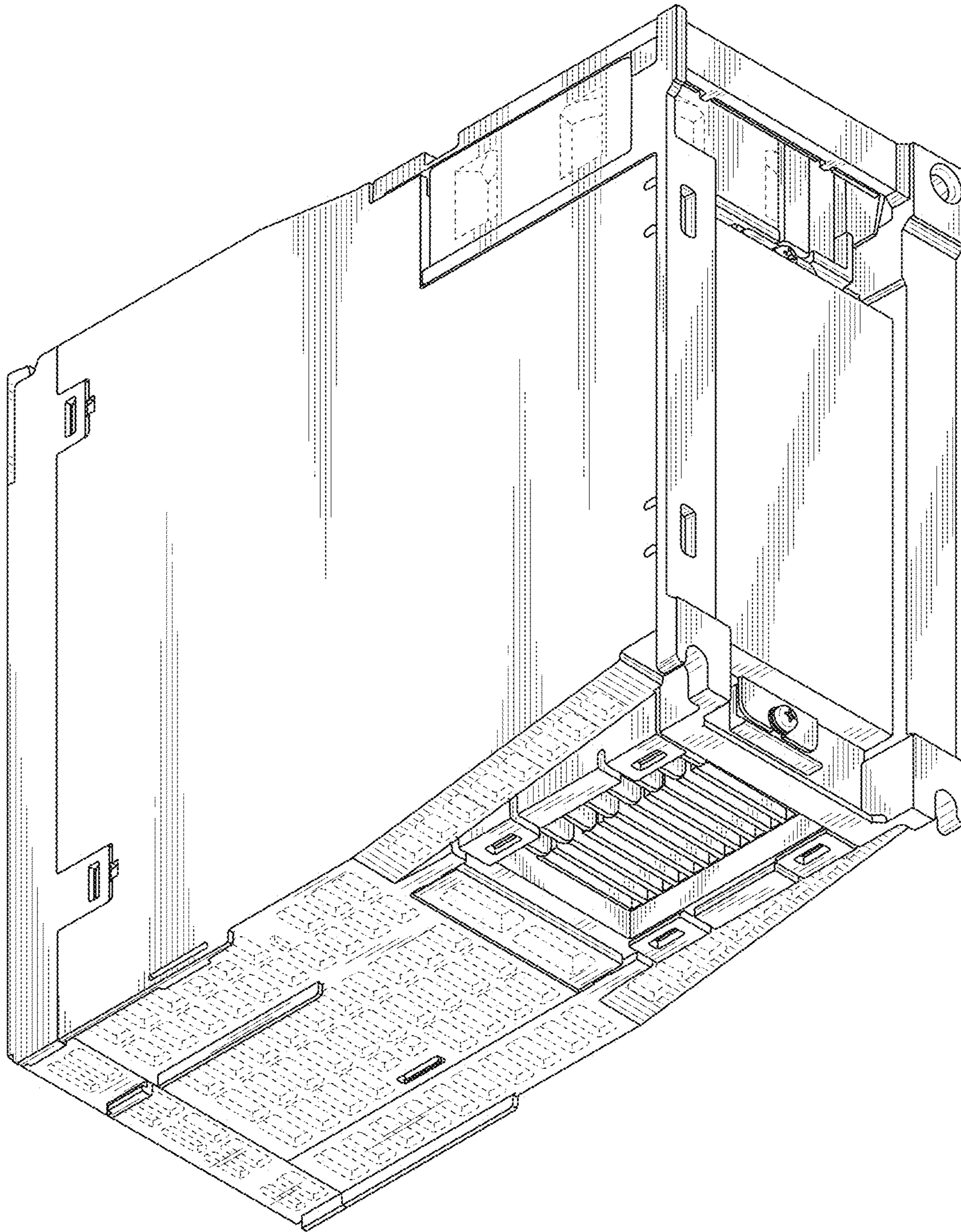
**FIG. 8**



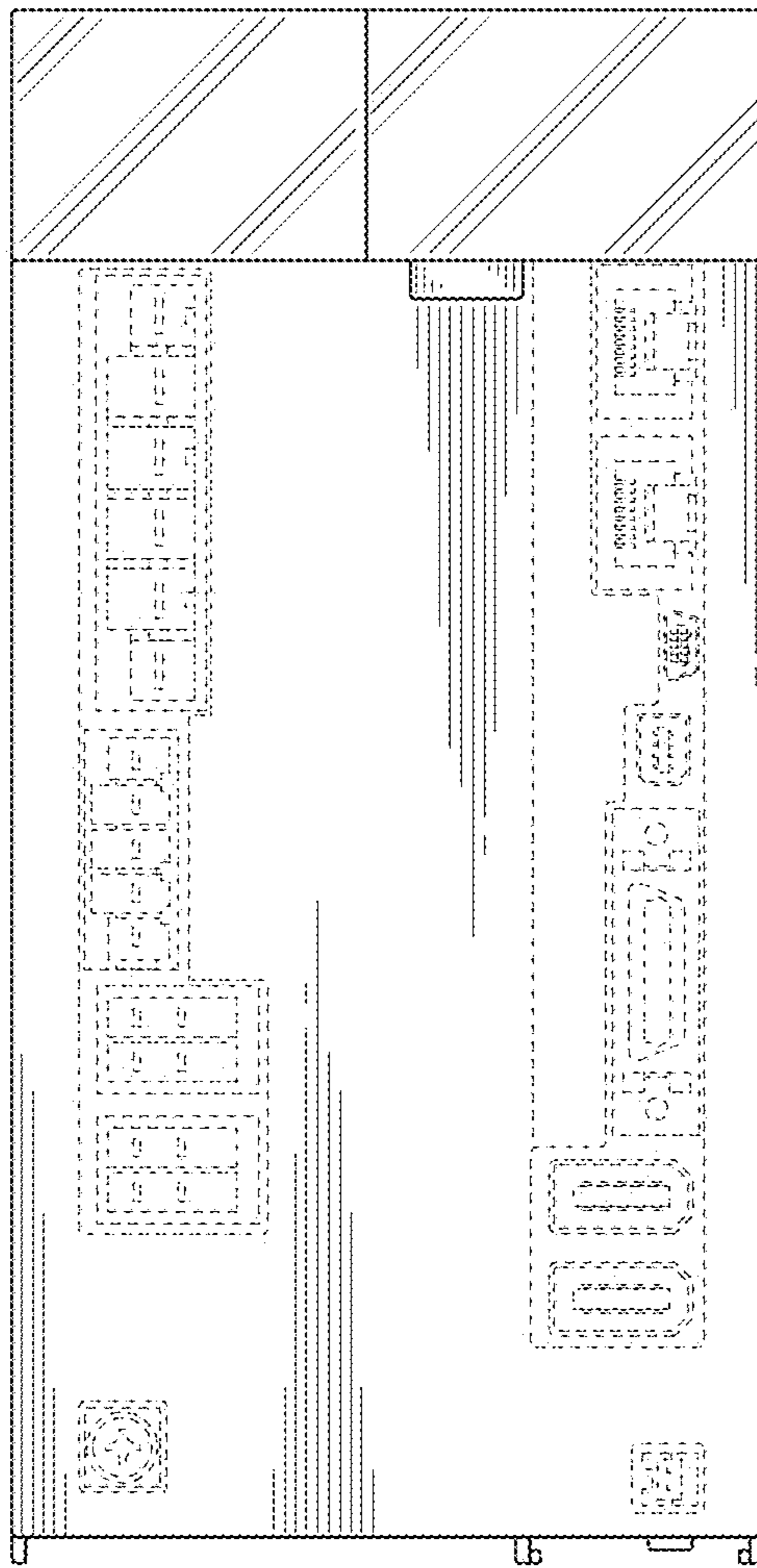
**FIG. 9**



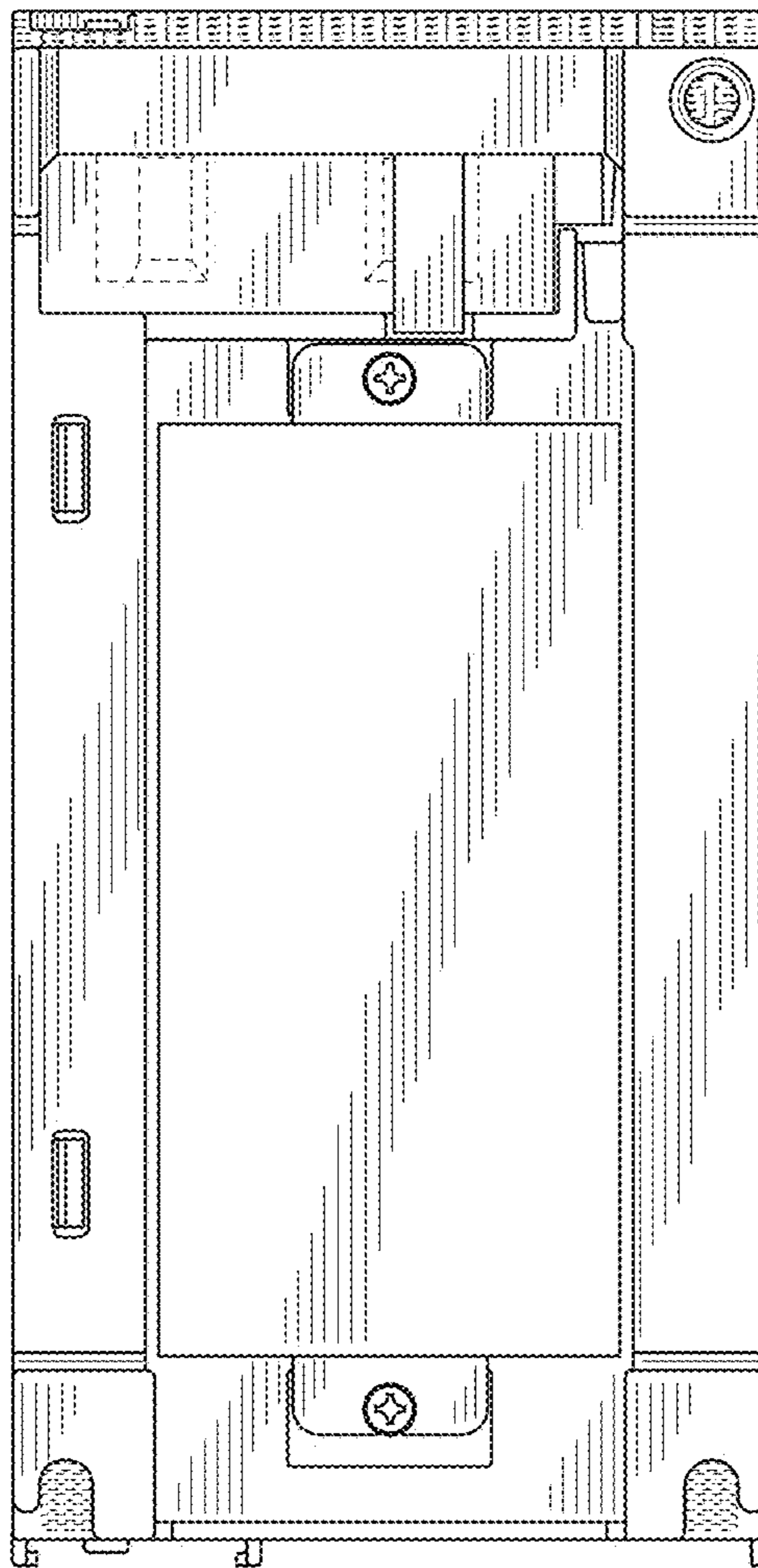
**FIG. 10**



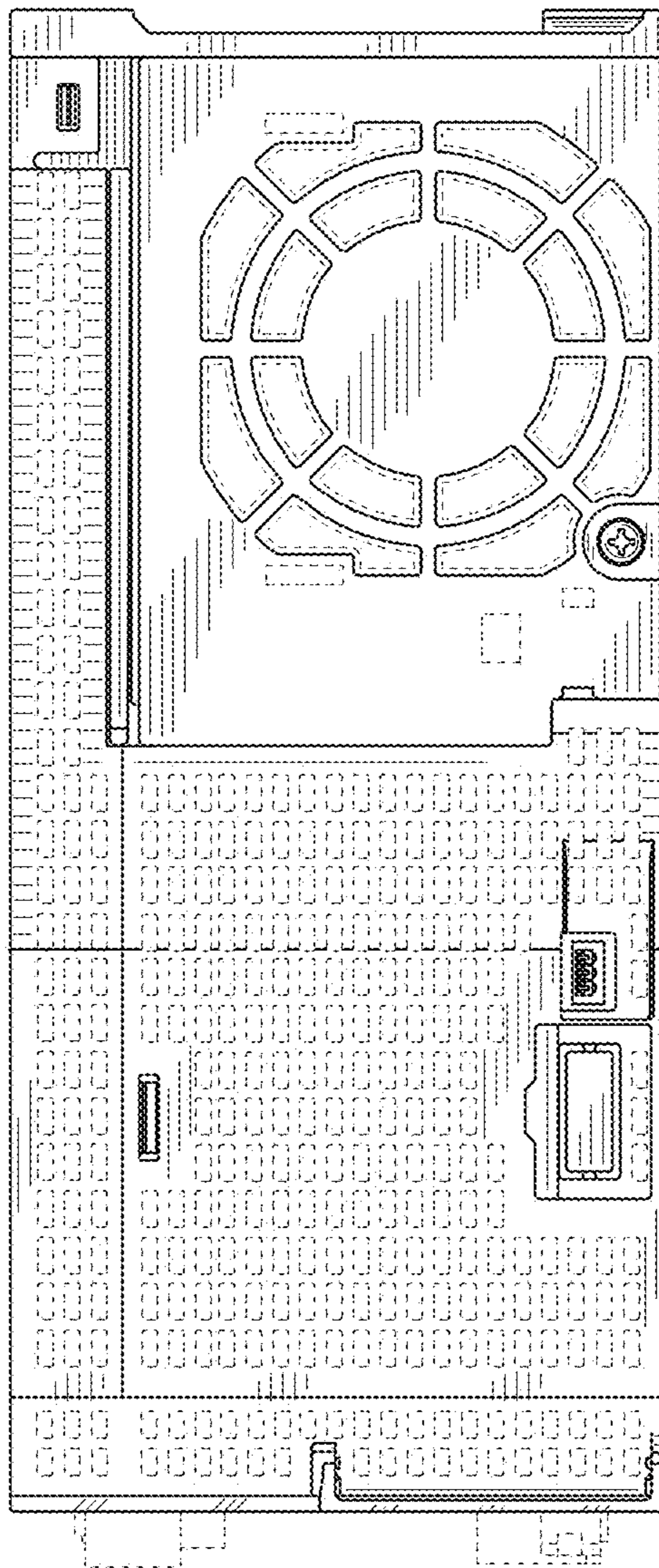
**FIG. 11**



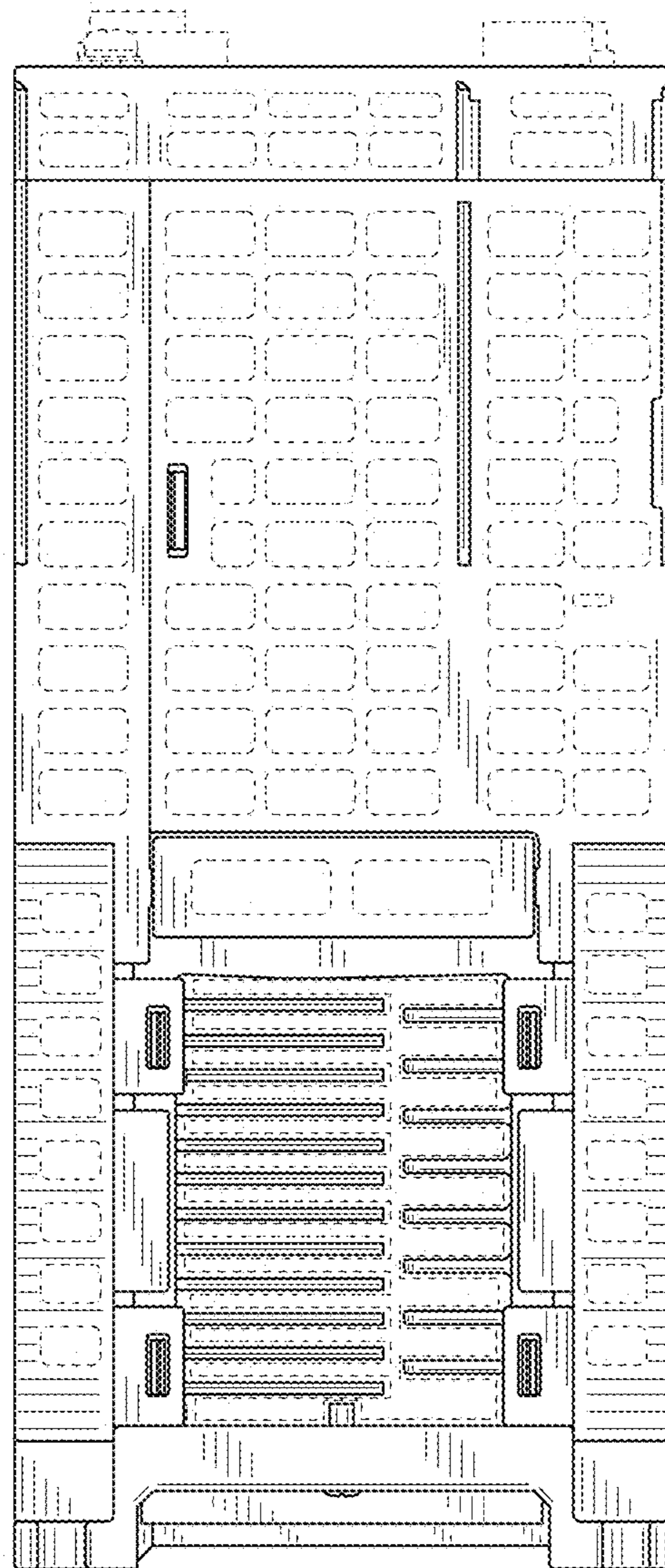
**FIG. 12**



**FIG. 13**



**FIG. 14**





**FIG. 15**



*FIG. 16*

